

# RUGGED MOBILE AND PANEL PC SOLUTIONS

Product  
Catalog

2026



# ► Table of Contents

## 00 Introduction

About AAEON	00-1
Milestones	00-3
Operation Strength	00-4
Core Competence	00-5
Quality Assurance	00-6
Mobile Computing Solutions	00-7
Rugged Tablet Computers	00-9
Accessories	00-11
Technologies	00-12
Applications	00-13
RISC Boards	00-15
AAEON RICO-3288/RICO-3399 RISC Ready to System (RTS) Solutions	00-19
Applications	00-20
AAEON Rugged Mobile and RISC OEM/ODM Services	00-23
OMNI Modular Builder	00-25



## 01 Rugged Tablet Computers

RTC-710RK	7" Rugged Tablet ARM-based Android™ with 1.6 GHz Quad Core Processor	01-1
RTC-710AP	7" Rugged Tablet Featuring Intel® Celeron® Processor N3350/Intel® Pentium® Processor N4200 with Windows® 10	01-3
RTC-1010	10.1" Rugged Tablet Featuring Intel® Celeron® Processor N3350/Intel® Pentium® Processor N4200 with Windows® 10	01-5
RTC-1010RK	10.1" Rugged Tablet Featuring Rockchip RK3399 With Android™ 11	01-7
RTC-1020	10.1" Rugged Tablet Featuring 11th Gen Intel® Core™/Celeron® Processors	01-9
RTC-1030	10.1" Rugged Tablet Featuring Intel® Processor N-series/Atom® Processors x7000E	01-11
RTC-1200	11.6" Rugged Tablet Features Intel Kaby Lake Up To 3.9 GHz Dual Core Processor with Windows® 10	01-13
<b>Accessories</b>		
RDS-0710	Rugged Docking Station for RTC-710RK, RTC-710AP	01-15
RDS-411	Rugged Docking Station for RTC-1010, RTC-1010M, RTC-1010RK	01-17
RDS-241V	Rugged Docking Station for RTC-1200	01-19
RDS-1020	Rugged Docking Station for RTC-1020	01-21
RTC-1010-HS-000	Hand Strap for RTC-1010, RTC-1010M, RTC-1010RK, RTC-1020	01-23
RTC-1010-SB-000	Shoulder Belt for RTC-1010, RTC-1010M, RTC-1010RK, RTC-1020	01-23
RTC-1010-VMP-000	VESA Mount Plate for RTC-1010M	01-24
RTC-1010-DTDP A-002	DC-To-DC Power Adapter, Flying Wires for RTC-1010, RTC-1010M, RTC-1010RK	01-24
RTC-1010-DTDP A-001	DC-To-DC Power Adapter, Cigarette Plug for RTC-1010, RTC-1010M, RTC-1010RK	01-25
RTC-1200HSP01-000	Hand Strap for RTC-1200	01-25
RTC-1200BLT01-000	Shoulder Belt for RTC-1200	01-26
RTC-1200BLT02-000	Shoulder Belt for RTC-1200	01-26
RTC-1200BKT01-000	VESA Mount Bracket for RTC-1200	01-27
RTC-1010BKT-000	Bracket for RTC-1010, RTC-1010M, RTC-1010RK	01-27
RBC-1200-000	4-bay Battery Charger for RTC-1010, RTC-1010M, RTC-1010RK, RTC-1020, RTC-1200	01-28
RTC-1200BAT01-000	Battery Pack for RTC-1010, RTC-1010M, RTC-1200, RTC-1010RK, RTC-1020	01-28
RTC-1010-SBG-000	Shoulder Bag for RTC-1010, RTC-1020, RTC-1200, RTC-1010RK	01-29

## 02 RISC Boards

RICO-3288	Pico-ITX Fanless Board with Rockchip ARM Cortex™-A17 Quad-core Processor	02-1
RICO-3288MINI	Pico-ITX Fanless Board with Rockchip ARM Cortex™-A17 Quad-core Processor	02-3
RICO-3399	Pico-ITX Fanless Board with Rockchip ARM Cortex-A72 Dual-core and Cortex-A53 Quad-core Processor	02-5
RICO-3568	Pico-ITX Fanless Board with Rockchip RK3568 Quad-Core Arm® Cortex®-A55 Processor	02-7
RICO-MX8P	Pico-ITX Fanless Board with NXP i.MX 8M Plus	02-9
RICO-MX8PLITE	Pico-ITX Fanless Board with NXP i.MX 8M Plus	02-11
RICO-3568 Developer Kit	Developer Kit for RICO-3568	02-13
<b>Modules</b>		
PER-T650	I/O Module with 12V~24V Input, PoE x 1, CANBus x 2, USB 2.0 x 2	02-15

# ▶ Table of Contents

# ▶ Table of Contents

## 03 RISC Boxes

BOXER-RK88	Fanless Embedded Box PC with Rockchip RK3288	03-1
BOXER-RK99	Fanless Embedded Box PC with Rockchip RK3399	03-3
BOXER-RK3568	Fanless Embedded Box PC with Rockchip RK3568	03-5
BOXER-MX8P	Fanless Embedded Box PC with NXP i.MX 8M Plus	03-7

## 04 All in One Panel PC Solutions

### ACP Series

ACP-2106	10" WXGA Multi Touch Panel PC With Intel® Processor N-series Processors	04-1
ACP-2076	7" WSVGA Multi Touch Panel PC With Intel® Processor N-series Processors	04-3
ACP-1108	10.1" WXGA Android Based Panel PC with Rockchip™ RK3568	04-5
ACP-1106	10.1" WXGA Multi-Touch Panel PC With Intel® Pentium® N4200/ Celeron® N3350 Processor, 4 GB RAM	04-7
ACP-1104	10.1" WXGA Ultra-slim Fanless Multi Touch Panel PC With Intel® Celeron® J1900/ N2807 Processor, 2GB RAM	04-9
ACP-1078	7" WSVGA Android Based Panel PC with Rockchip™ RK3568	04-11
ACP-1076	7" WSVGA Multi-Touch Panel PC With Intel® Pentium® N4200/ Celeron® N3350 Processor, 4 GB RAM	04-13
ACP-1075	7" WSVGA Open-frame Panel PC with PICO-APL3	04-15
ACP-1074	7" WSVGA Ultra-slim Fanless Multi Touch Panel PC with Intel® Celeron® J1900/ N2807 Processor, 2GB RAM	04-17

## 05 OMNI Series: Modular Builder

### Panel Kit

OMNI-215D	15.6" OMNI Modular Touch/ LCD Panel Kit	05-1
OMNI-221D	21.5" OMNI Modular Touch/ LCD Panel Kit	05-3
OMNI-224D	23.8" OMNI Modular Touch/ LCD Panel Kit	05-5
OMNI-227D	27" OMNI Modular Touch/ LCD Panel Kit	05-7
OMNI-310D	10.4" OMNI Modular Touch/ LCD Panel Kit	05-9
OMNI-312D	12.1" OMNI Modular Touch/ LCD Panel Kit	05-11
OMNI-315D	15" OMNI Modular Touch/ LCD Panel Kit	05-13
OMNI-317D	17" OMNI Modular Touch/ LCD Panel Kit	05-15
OMNI-319D	19" OMNI Modular Touch/ LCD Panel Kit	05-17

### BOX Kit

OMNI-ADP-CPU BOX	OMNI Series Panel PC with 12th Generation Intel® Core™/Celeron® Processors	05-19
OMNI-ADN-CPU BOX	OMNI Series Panel PC with Intel® Processor N50 / N97	05-21



## 06 OMNI Series: Modular Touch Panel Solutions

OMNI-2155-ADP	15.6" Modular HMI Panel PC with 12th Generation Intel® Core™/Celeron® Processors	06-1
OMNI-2215-ADP	21.5" Modular HMI Panel PC with 12th Generation Intel® Core™/Celeron® Processors	06-3
OMNI-2245-ADP	23.8" Modular HMI Panel PC with 12th Generation Intel® Core™/Celeron® Processors	06-5
OMNI-2275-ADP	27" Modular HMI Panel PC with 12th Generation Intel® Core™/Celeron® Processors	06-7
OMNI-3105-ADP	10.4" Modular HMI Panel PC with 12th Generation Intel® Core™/Celeron® Processors	06-9
OMNI-3125-ADP	12.1" Modular HMI Panel PC with 12th Generation Intel® Core™/Celeron® Processors	06-11
OMNI-3155-ADP	15" Modular HMI Panel PC with 12th Generation Intel® Core™/Celeron® Processors	06-13
OMNI-3175-ADP	17" Modular HMI Panel PC with 12th Generation Intel® Core™/Celeron® Processors	06-15
OMNI-3195-ADP	19" Modular HMI Panel PC with 12th Generation Intel® Core™/Celeron® Processors	06-17
OMNI-2155-ADN	15.6" Modular HMI Panel PC With Intel® Processor N-series Processors	06-19
OMNI-2215-ADN	21.5" Modular HMI Panel PC With Intel® Processor N-series Processors	06-21
OMNI-3105-ADN	10.4" Modular HMI Panel PC With Intel® Processor N-series Processors	06-23
OMNI-3125-ADN	12.1" Modular HMI Panel PC With Intel® Processor N-series Processors	06-25
OMNI-3155-ADN	15" Modular HMI Panel PC With Intel® Processor N-series Processors	06-27

## 07 OMNI Series: Modular Display Solutions

### Panel Kit

OMNI-215M	15.6" Touch Display Monitor, DC 12~30V	07-1
OMNI-221M	21.5" Touch Display Monitor, DC 12~30V	07-3
OMNI-310M	10.4" Touch Display Monitor, DC 12~30V	07-5
OMNI-312M	12.1" Touch Display Monitor, DC 12~30V	07-7
OMNI-315M	15" Touch Display Monitor, DC 12~30V	07-9
OMNI-317M	17" Touch Display Monitor, DC 12~30V	07-11
OMNI-319M	19" Touch Display Monitor, DC 12~30V	07-13

### BOX Kit

OMNI-ADB-KIT	Display BOX Kit, DC 12~30V	07-15
--------------	----------------------------	-------

## 08 AI Panel PC Solutions

NIKY-2155-NX	15.6" Full HD 1920 x 1080 AI Panel PC with NVIDIA® Jetson Orin™ NX	08-1
NIKY-2155-NANO	15.6" Full HD 1920 x 1080 AI Panel PC with NVIDIA® Jetson Orin™ Nano	08-3
NIKY-2075-NANO	7" WXGA Multi Touch AI Panel PC with NVIDIA® Jetson Orin™ Nano	08-5

# ▶ Table of Contents

# About AAEON

## The Trusted Innovation Partner

We have the drive to provide innovative, trusted solutions tailored to benefit our customers.



Established in 1992, AAEON stands at the forefront of industrial IoT and AI Edge solutions, renowned for its commitment to continual innovation. As a leading designer and manufacturer, AAEON specializes in delivering reliable, high-quality computing platforms and offers comprehensive OEM/ODM services on a global scale. Collaborating with businesses, AAEON goes beyond providing individual platforms, extending its expertise to offer end-to-end solutions that prioritize technological innovation and design excellence, fostering a reputation for delivering a trusted, customer-centric, and high standard of service.

Working closely with premier chip designers, AAEON ensures the creation of stable and reliable platforms, showcasing an innovative approach to product development and operational flexibility that solidifies its standing as a provider synonymous with demonstrated quality and dependability. The experienced engineering team at AAEON has played a pivotal role in assisting numerous companies worldwide, guiding them through product launches with solutions tailored to their specific needs. AAEON's customer-centric approach is underscored by expedited, localized technical support and meticulous attention to detail, reinforcing its dedication to delivering unparalleled service.

## AAEON Core Values

### Innovation:

**Technological Innovation** – continually seeking to bring new and exciting technologies to market for our customers

**Product Innovation** – evolving with our customer's needs to maximize the utility of embedded solutions

**Innovative Business Model** – maintaining a worldwide community model for peer-to-peer collaboration and expert technical support

### Trusted Quality:

**Design Quality** – rigorously monitoring standards to ensure continual improvement

**Advanced Manufacturing** – integrating AI, automation, and new technologies into our processes

**Higher Standard Of Service** – building industry trust in our abilities through external endorsements from premier organizations

### Flexibility:

**Low Total Cost Of Ownership (TCO)** – adopting a modular design process for streamlined customization to lower the cost of entry

**Fast Service** – faster troubleshooting for issue resolution, straightforward after-sales care

**Customer Focus** – provide localized solutions for even the most complex customer needs through regional RD & design center





## System Level Products

AAEON is committed to delivering high-quality intelligent system products, such as Rugged Panel PCs, Expandable Industrial Computers, Full HD Infotainment Displays, Rugged Tablets, Embedded PCs and related accessories, for use in all aspects of sectors including Digital Signage, Transportation, Industrial Automation, Healthcare, Hospitality, Harbor/Marine, Military/Government, Public Safety and Energy.

AAEON has the capability to customize services for a range of embedded computers and system products according to customer requirements and specifications. To help large customers with volume production, AAEON also provides an end-to-end Design Manufacturing Service (DMS) that begins with design and goes through to contract manufacturing. Quality assurance of our system products ensures excellent product performance and is the key to our success and growing global customer base.

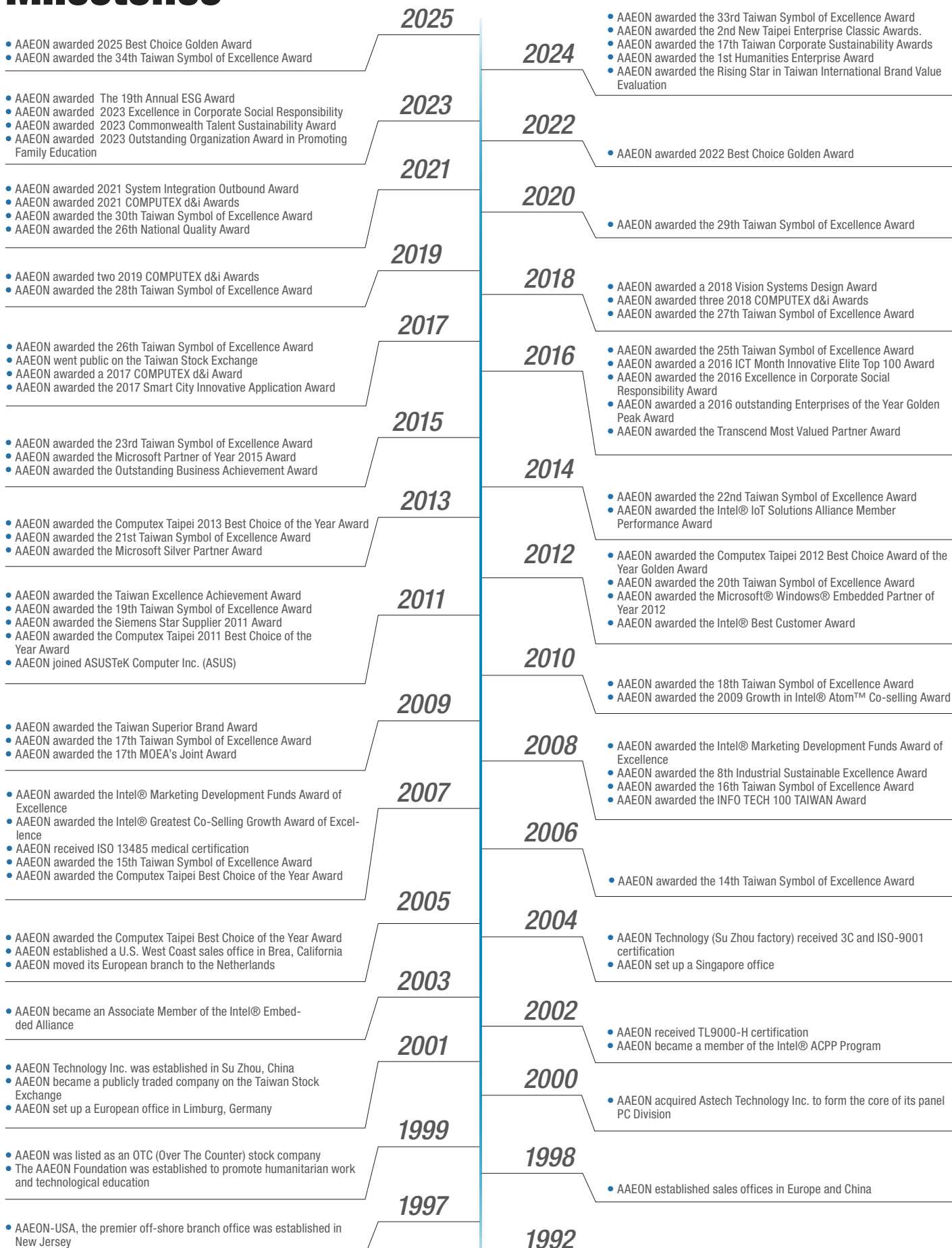
## Board Level Products

Embedded boards are the beating heart of every computer system. AAEON offers a diverse range of different embedded boards to consolidate your systems. Our products include Compact Boards, 3.5" Sub-Compact Boards, EPIC boards, PICO-ITX boards, COM Express Modules, de next boards, PC/104 Modules, RISC Gateway Boards, and full-sized & half-sized SBCs.

With the advent of the fourth industrial revolution, more commonly known as Industry 4.0, the optimization of automation processes and productivity is becoming more relevant than ever before. Embedded single boards provide an easily configurable and efficient solution to consolidating industrial platforms and infrastructure in fields such as smart cities, smart building management, smart transportation, energy-efficient grids, POS and digital signage, and the medical industry.

AAEON's boards are designed for superior environmental resilience. The WiTAS (Wide Temperature Assurance Services) line can be used within a temperature range of -40°C~85°C and is specifically built to combat harsh environments, operating at peak efficiency in both bitterly cold and blisteringly hot spaces. Our WiTAS products are also ideal for IoT uses and are designed for minimum maintenance and

# Milestones



# Operation Strength

00

A member of the ASUS Group: A strong high-tech conglomerate

**ASUS Technology and Financing**

**AAEON Design Flexibility and Domain Know-how**



## OEM/ODM Capability

The OEM/ODM service has been a key factor in AAEON's phenomenal growth over the past 10 years. AAEON offers design services for full custom requirements as well as modification services for its off-the-shelf products. Whatever you need, AAEON has the experience and expertise to help you create or modify products to perfectly fit your requirements.

# Core Competence

## Product Innovation

AAEON's integration expertise is integral to product designs that have the most desirable built-in features, saving customers valuable design and customization time. AAEON's OEM/ODM capabilities help us meet customers' exact specifications and requirements. In addition, AAEON has invested aggressively in R&D capabilities and will continue to do so to maintain a competitive advantage for new designs. In cooperation with premier technology vendors, AAEON participates in vendor early access programs to provide the latest technology to its customers.

## Market Focus

AAEON has established a worldwide reputation for exceptional domain know-how. This expertise has enabled AAEON to secure a solid position in Machine and Factory Automation, as well as the Chemical Industry. Additionally, AAEON's cutting edge products meet the specific requirements of the Digital Signage, Transportation, Industrial Automation, Medical, Harbor/Marine, Military/Government, Public Safety and Energy sectors.

## R&D Strength

AAEON takes great pride in its World Class R&D aptitudes. With more than 20% of AAEON's workforce employed in R&D and 10% of annual sales revenue invested in this field, AAEON is prepared to handle the most demanding designs based on the latest technologies. With our strong background in innovation, AAEON has been granted a raft of design patents around the world.

## Design Capability

From our core competence of single board computer design, AAEON has expanded its capabilities to award-winning Panel PC System Design, BIOS Engineering with multi-vendor expertise, Mechanical Design, Peripheral Device Design, Design Verification and in-house EMI/EMC Debugging.

## Manufacturing Capability

AAEON has manufacturing facilities located in Taipei, Taiwan and Suzhou, China. To become the leading supplier of Industrial Computers, AAEON has created manufacturing facilities with flexible layouts and expansion capabilities to easily address the demand for increased production capacity. Drawing upon the skills of its professional and experienced personnel to develop an efficient production system, AAEON has the ability to respond rapidly to customer requests for standard or customized IPC products.



# Quality Assurance

AAEON's Quality Assurance Closed Loop Feedback System provides solid and consistent feedback through the design, manufacturing and service stages to ensure continuous progress and meet customer expectations. The three stages of the Quality Assurance System are Design Quality Assurance (DQA), Manufacturing Quality Assurance (MQA) and Service Quality Assurance (SQA).

## DQA

Design Quality Assurance starts at the conceptual stage of a project and covers the product development stage to ensure the utmost quality throughout the process. AAEON's safety and environmental test labs ensure our products meet the requirements of CE/UL/FCC/CCC standards. All AAEON products go through an extensive and comprehensive test plan for compatibility, function, performance and usability. Therefore, AAEON customers can always expect to receive well-designed, high-quality products.

## MQA

Manufacturing Quality Assurance is carried out in accordance with ISO 9001, ISO 13485, ISO 14001 certification standards. All AAEON products are built using production and quality testing equipment in a static-free environment. Additionally, these products go through rigorous tests on the production line and dynamic aging in the burn-in room. AAEON's Total Quality Control (TQC) program includes Incoming Quality Control (IQC), In-Process Quality Control (IPQC) and Final Quality Control (FQC). Periodic training, auditing and facility calibration are strictly implemented to ensure all quality standards are followed to meet customers' requirements. The Quality Control Team constantly communicates with R&D to improve product performance and compatibility.

## SQA

Service Quality Assurance includes technical support and a repair service. With SQA, AAEON can serve its customers and also receive their feedback and work with R&D and Manufacturing to strengthen AAEON's response time in resolving customer concerns and improve service levels.

## Technical Support

The backbone of customer support is a team of professional Application Engineers who provide customers with real-time technical support. Their expertise is shared through internal knowledge management and links to the website for online nonstop service and solutions.

## Repair Service

With an efficient eRMA system and RMA service policy, AAEON's RMA Team is able to ensure prompt, high-quality product repair and replacement services with a short turnaround time.

## Quality Certification



AAEON has acquired many official certifications to maintain its quality system.

ISO 9001: 2015	QMS
ISO 13485: 2016	Medical Devices-QMS
ISO 14001: 2015	EMS
ISO 27001: 2022	ISMS
3C:	China Compulsory Certification
CE/FCC:	All AAEON products undergo and meet CE and FCC test standards which prove their design quality and integrity

# Mobile Computing Solutions



## Introduction

Computing in the environment of Industry 4.0 means taking full advantage of innovative technologies and frameworks such as IoT, decentralizing of data processing, and utilizing wireless communication to overcome the limitations of physical infrastructure. As more things depend on technology, it is more important that we can carry that technology with us through the power of mobile computing.

AAEON Rugged Mobile Computing Solutions are designed to provide flexible and tough platforms built to handle working in environments which are harsh or abusive for consumer grade products. These rugged tablet PCs and semi-rugged tablet PCs provide reliable operation whether indoors or outside, in cold freezers or hot weather, onboard buses and controlling entryways. AAEON's Rugged Mobile Computing Solutions are built for work, in the field, in the office, or wherever is demanded.

### Time Clock



### Hospitality



### Parking Management



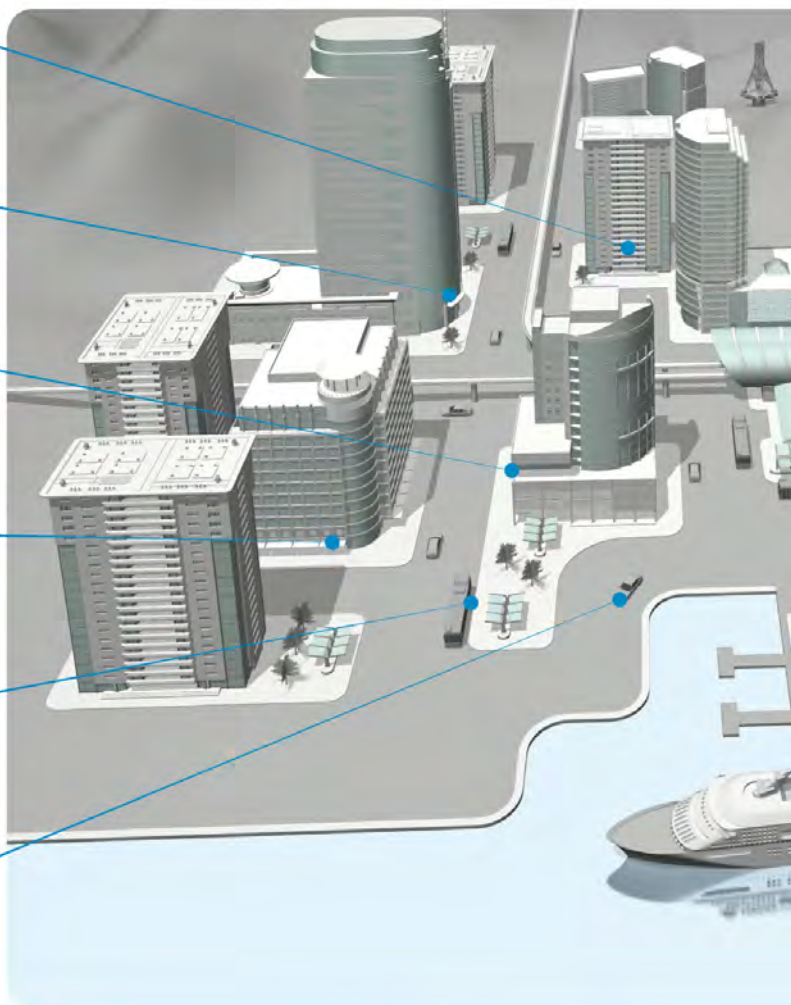
### Access Control



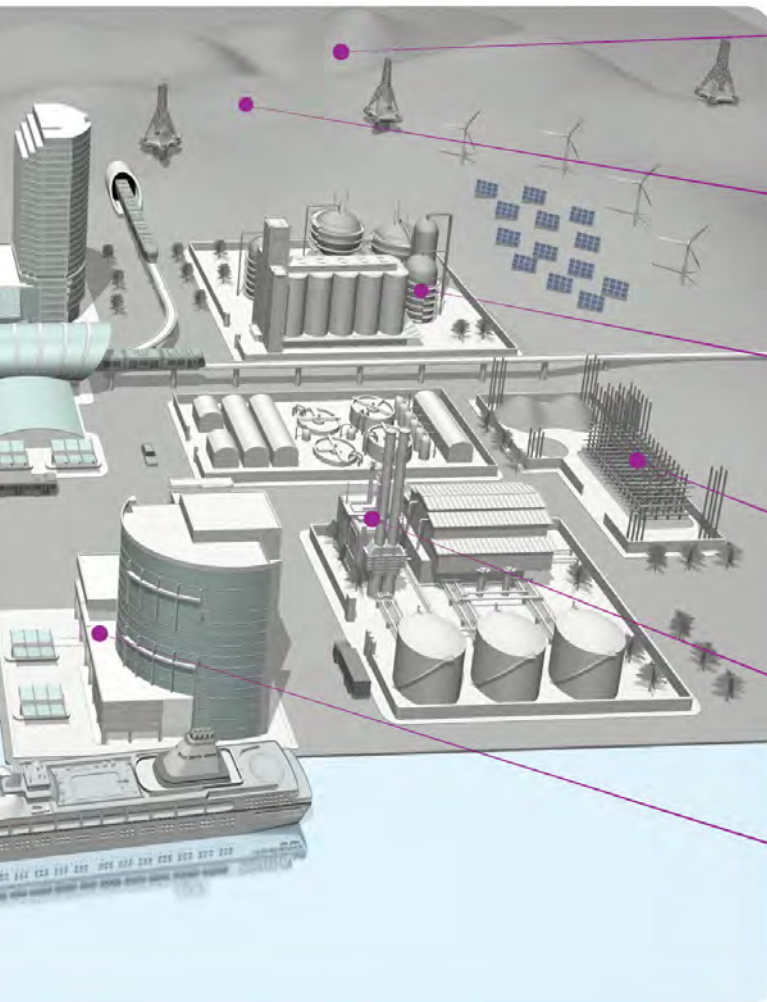
### e-Ticketing



### Fleet Management



# Mobile Computing Solutions



Aerial Photography



Heavy Machinery



Factory Automation



Construction



Field Inspection



Logistic/Warehouse Management



# Rugged Tablet Computers

## Introduction

AAEON's new line of Rugged Tablet Computers (RTC) are MIL-STD-810G compliant and meet IP65 ratings. The RTC Series is built from the ground up to withstand water, dust, vibrations and shocks, as well as the extreme temperatures found in a variety of harsh conditions. The RTC product line will go wherever the job takes you. Encased in a tough magnesium alloy, the RTC Series offers secure and reliable mobile computing, whether it is vehicle mounted or hand carried into the field.

The rugged mobile computing market continues to grow as we find new ways to improve performance and productivity by enabling connectivity in the workforce. The RTC series offers up-to-the-minute information and in-field data acquisition, which makes mobile computing not just a valuable asset, but a critical requirement. Powered by low-power processors, such as Intel® and Rockchip, the RTC line delivers high performance with low power consumption. AAEON rugged tablet batteries can meet the demands of a full day's work in the field. Docking station options and vehicle chargers will keep the system up and running for multiple shift operations. These ergonomic and conveniently sized tablets are lightweight and will go with you anywhere to tackle the job on hand.

The PCAP touch screen and Advanced Optibond Technology (AOT™) allows easy and accurate data input. The programmable function keys are all standard features that make AAEON's RTC product line your best choice for mobile computing.



OS Support List		
Model	Windows	Android
RTC-710RK	N/A	8.1/11(NFC:N/A)
RTC-710AP	10	N/A
RTC-1010	10	N/A
RTC-1010RK	N/A	11
RTC-1020	11	N/A
RTC-1200	10	N/A

## Featured Products



### RTC-710RK

#### Android-based 7" Rugged Tablet Computer

- 7" WXGA (1280 x 800) 700-nit TFT LCD
- Rockchip RK3399K Processor
- Onboard LPDDR4 Memory, 2GB (Default) / 4GB
- eMMC 16GB (Default) / 32GB / 64GB
- Projected Capacitive Multi-Touch Screen
- WiFi 802.11b/g/n, Bluetooth 4.2, LTE (Optional)
- 8MP Front and 8MP Rear Camera
- UART Port + 10/100/1000 Base-T RJ45 via I/O Module (Optional)
- USB 3.2 Gen 1 Type-C x 1, USB 2.0 Type-A x 1
- 2D Barcode Scanner via I/O Module (Optional)
- NFC (HF RFID) Reader (Optional)
- GPS + GLONASS (Default), BeiDou (Optional)
- One Hot-swappable Battery + Internal Battery, Up to 44W Battery Capacity
- MIL-STD-810G, IP65 Compliant, Drop 150cm
- Programmable Function Key: F1, F2, F3, Volume Up/Down, With LED Illumination
- Android 8.1/Android 11 (Optional)



### RTC-710AP

#### Windows-based 7" Rugged Tablet Computer

- 7" WXGA (1280 x 800) 700-nit TFT LCD
- Intel® Celeron™ N3350 1.1GHz Dual Core Up to 2.4GHz (N4200 Optional)
- Onboard LPDDR4 Memory, 4GB (Default) / 8GB
- eMMC 64GB (Default) / 128GB
- Projected Capacitive Multi-Touch Screen
- WiFi 802.11b/g/n, Bluetooth 5.1, LTE (Optional)
- 2MP Front and 8MP Rear Camera
- RS-232 COM Port + 10/100/1000 Base-T RJ45 via I/O Module (Optional)
- USB 3.2 Gen 1 Type-C x 1, USB 2.0 Type-A x 1
- 2D Barcode Scanner via I/O Module (Optional)
- NFC (HF RFID) Reader (Optional)
- Up to 3 GNSS, GPS + Galileo (Default), GLONASS, BeiDou (Optional)
- One Hot-swappable Battery + Internal Battery, Up to 44W Battery Capacity
- MIL-STD-810G, IP65 Compliant, Drop 150cm
- Function Key: F1, F2, F3, Volume Up/Down, With LED Illumination
- Windows® 10 IoT



# Rugged Tablet Computers



## RTC-1010

### 10.1" Rugged Tablet Computer

- 10.1" WXGA (1280 x 800) 800-nit / 300-nit TFT LCD
- Intel® Celeron™ N3350 1.1GHz Dual Core Up to 2.4GHz (N4200 Optional)
- Onboard DDR3L Memory, 4GB (Default) / 8GB
- eMMC 64GB (Up to 256GB, Optional)
- WiFi 802.11b/g/n, Bluetooth 5.1, LTE (Optional)
- 2MP Front and 8MP Rear Camera
- RS-232/422/485 COM Port + 10/100/1000 Base-T RJ45
- USB 3.2 Gen 1 x 2 (USB Type-C x 1), USB 2.0 x 2
- 2D Barcode Scanner & Smart Card Reader / HF RFID (NFC) Reader (Optional)
- Up to 3 GNSS, GPS + Galileo (Default), GLONASS, BeiDou (Optional)
- One Hot-swappable Battery + Internal Battery, Up to 44W Battery Capacity
- MIL-STD-810G, IP65 Compliant, Drop 122cm
- Function Key: F0, F1, F2, F3, Volume Up/Down, With LED Illumination
- Windows® 10 IOT



## RTC-1010RK

### 10.1" Rugged Tablet Computer

- 10.1" WXGA (1280 x 800) 800-nit/300-nit TFT LCD
- Rockchip RK3399 Processor
- Onboard LPDDR4 Memory, 2GB/4GB (Default)
- eMMC 64GB (Default)/128GB
- Wi-Fi 802.11 a/b/g/n/ac, Bluetooth 5.2, LTE (Optional)
- 8MP Front and 8MP Rear Camera
- RS-232/422/485 COM Port + 10/100/1000 Base-T RJ-45
- USB 3.2 Gen 1 x 2 (USB Type-C x 1), USB 2.0 x 2
- 2D Barcode Scanner (Optional)
- HF RFID (NFC) Reader (Optional)
- GPS + GLONASS (Default), BeiDou (Optional)
- One Hot-swappable Battery + Internal Battery, Up to 44W Capacity
- MIL-STD-810H, IP65 Compliant, Drop 122cm
- Programmable Function Keys
- Android™ 11



## RTC-1200

### 11.6" Rugged Tablet Computer

- 11.6" FHD (1920 x 1080) 500-nit / 850-nit TFT LCD
- Intel® Core™ i 7100U / 7300U / Celeron® 3965U Up to 3.9 GHz
- One DDR4 SODIMM Socket, Up to 16GB
- One M.2 Slot for SSD, 64GB (Default) / 128GB / 256GB
- WiFi 802.11b/g/n, Bluetooth 5.1, LTE (Optional)
- 2MP Front and 5MP Rear Camera
- RS-232/422/485 COM Port + 10/100/1000 Base-T RJ45
- USB 3.2 Gen 1 x 2 (USB Type-C x 1), USB 2.0 x 2
- 2D Barcode Scanner / HF RFID (NFC) Reader (Optional)
- Hot-swappable Battery, 14.4V/ 2270mAh, 32.7W x 2
- MIL-STD-810G, IP65 Compliant, Drop 122cm
- Function Key: Windows, Volume Up/Down, P1, P2, P3, With LED Illumination
- Docking Connector with GNSS / WWAN Antenna Pass-through Connector
- Windows® 10 IOT



## RTC-1020

### 10.1" Rugged Tablet Computer

- 10.1" FHD (1920 x 1200) 450-nit / 850-nit TFT LCD
- Intel® Core™ i Tiger Lake UP3 Processor
- Onboard LPDDR4X, 8GB (Default) / 16GB
- M.2 SSD, 64GB (Default) / 128GB / 256GB
- WiFi 802.11a/b/g/n/ac, Bluetooth 5.2, LTE (Optional)
- 5MP Front and 8MP Rear Camera
- RS-232/422/485 COM Port + 10/100/1000 Base-T RJ45
- USB 3.2 Gen 1 x 2 (USB Type-C x 1), USB 2.0 x 2
- 2D Barcode Scanner (Optional)
- HF RFID (NFC) Reader (Optional)
- Up to 3 GNSS, GPS + Galileo (Default), GLONASS, BeiDou (Optional)
- Hot-swappable Battery, 14.4V/ 2270mAh, 32.7W x 2 (51.1W x 2, Optional)
- MIL-STD-810H, IP65 Compliant, Drop 122cm
- Function Key: F0, F1, F2, F3, Volume Up/Down, With LED Illumination
- Windows® 10 IOT



# Accessories

## RTC-1010 & RTC-1010M & RTC-1010RK

### RDS-411 (Rugged Docking Station)

- Apply on RTC-1010/RTC-1010M/RTC-1010RK
- Front-facing I/Os: USB 2.0 x 2 with Protection Cover
- Downward-facing I/Os for Easy Cable Management: USB 2.0 x 2, RS-232 x 1 (Two: Optional), RJ45 GbE x 1, DC-in Phoenix Connector x 1
- Wide Voltage Input: 9VDC ~ 36VDC
- Power Adaptor: AC Power Adaptor (Default)
- Anti-theft Lock with Key & VESA Mount



### RTC-1010-HS-000

- Hand Strap for RTC-1010, RTC-1010M, RTC-1010RK, RTC-1020



### RTC-1010-SB-000

- Shoulder Belt for RTC-1010, RTC-1010M, RTC-1010RK, RTC-1020



### RTC-1010-DTDPA-002

- DC-To-DC Power Adapter, Flying Wires for RTC-1010, RTC-1010M, RTC-1010RK



### RTC-1010-DTDPA-001

- DC-To-DC Power Adapter, Cigarette Plug for RTC-1010, RTC-1010M, RTC-1010RK



### RTC-1010-VMP-000

- VESA Mount Plate for RTC-1010M



### RBC-1200-000

- 4-bay Battery Charger for RTC-1010, RTC-1010M, RTC-1010RK, RTC-1020, RTC-1200



### RTC-1200BAT01-000

- Battery Pack for RTC-1010, RTC-1010M, RTC-1200, RTC-1010RK, RTC-1020



\* Li-on battery shipping is regulated by IATA DGR, special method and extra fee applies.

## RTC-1200

### RDS-241V (Rugged Docking Station)

- Anti-theft Lock with Key & VESA mount
- Downward-facing I/Os for Easy Cable Management
- Ext. GPS and WWAN with SMA Connector
- Front-facing I/O: USB x 2 in landscape Side
- Downward-facing I/Os: USB 3.2 Gen 1 Dual Port x 1 + RS-232 x 2, One with 5V in Pin9 & the Other with GPIO x 8, GbE x 1, M12 DC-in x 1
- Wide Voltage Range: 9V DC ~ 36V DC in M12-5P Female Connector
- Adaptor is Additionally: (Car Adaptor with Cigarette Plug or Std Adaptor for YC-14)



### RTC-1200HSP01-000

- Hand Strap for RTC-1200



### RTC-1200BLT01-000

- Shoulder Belt for RTC-1200



### RTC-1200BLT02-000

- Shoulder Belt for RTC-1200



### RTC-1200BKT01-000

- VESA Mount Bracket for RTC-1200



### RBC-1200-000

- 4-bay Battery Charger for RTC-1010/ RTC-1010M, RTC-1200



### RTC-1200BAT01-000

- Battery Pack for RTC-1010/ RTC-1010M, RTC-1200



\* Li-on battery shipping is regulated by IATA DGR, special method and extra fee applies.

## RTC-1020

### RDS-1020 (Rugged Docking Station)

- Suitable for RTC-1020
- Front-facing I/O: USB 2.0 x 2
- Downward-facing I/O for Easy Cable Management: USB 3.2 Gen 1 x 2, RS-232 x 1, GbE x 1, DC-in Phoenix Connector x 1
- Wide Voltage Input: 9VDC ~ 36VDC
- Power Adaptor: AC Power Adaptor (Default)
- Anti-Theft Lock with Key & VESA Mount Support (75x75)



### RTC-1010-HS-000

- Hand Strap for RTC-1010, RTC-1010M, RTC-1010RK, RTC-1020



### RTC-1010-SB-000

- Shoulder Belt for RTC-1010, RTC-1010M, RTC-1010RK, RTC-1020



### RBC-1200-000

- Battery Pack for RTC-1010, RTC-1010M, RTC-1200, RTC-1010RK, RTC-1020



\* Li-on battery shipping is regulated by IATA DGR, special method and extra fee applies.

## Customized Services

- Longevity Support
- ODM Services
- Small Minimum Order Quantity



## Fully-Rugged Design



### Water Resistant

- IEC 60529
- IPx5 standard



### Drop Test

- MIL-STD-810G Method 516.6 Procedure IV



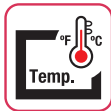
### Dust Proof

- IEC 60529
- IP6x standard



### Vibration Test

- MIL-STD-810G 514.6 Procedure I Cat. 24, Fig. 514.6E-1 & 514.6E-2
- ASTM 4169-99 Truck Assurance Level II, Schedule E



### Temperature Test

- MIL-STD-810G Method 501.5 Procedure I & II, Method 502.5 Procedure I & II, Method 503.5 Procedure I, Method 507.5 Procedure II

## Outdoor Application



### Sunlight Readable LCD

- Readable under sunlight
- Higher brightness solution
- AOT optical bonding



### Ambient Light Sensor

- Power savings in dark environments
- Detects light and brightness



### AOT™ (Advanced Optibond Technology)

- The best reflection reduction among any commercially available technology
- Reinforces the LCD display, making it much more rugged



### Long Battery Life

- Hot-swappable batteries design

## Built-in Versatile Sensors



### GPS

- Stand-alone GPS Navigation module



### G Sensor

- Gravity sensor



### E-Compass

- Electronic compass



### Gyro Sensor

- Electronic gyroscopes

## Wireless Communication



### 4G

- LTE



### Bluetooth®

- 2.1/3.0/4.1/4.2/5.0



### WiFi

- a/b/g/n/ac



### NFC

- 13.56MHz Near Field Communication



### RFID

- 13.56MHz Radio Frequency Identification



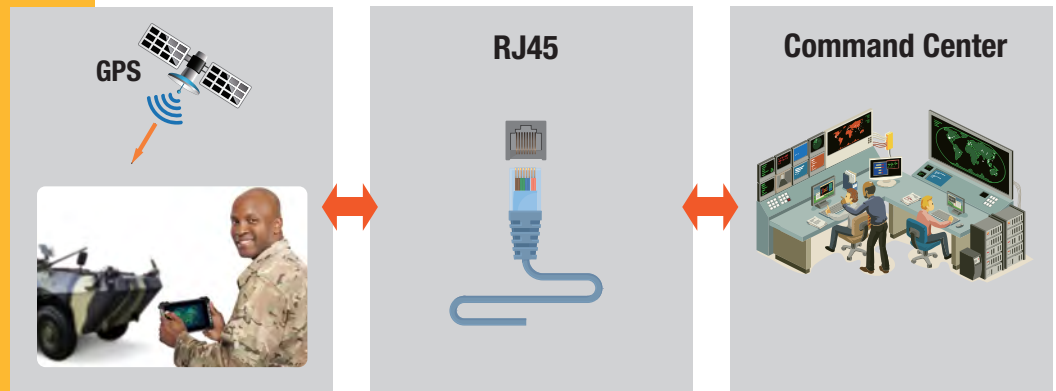
## Requirements

- IP65-rated
- MIL-STD-810G-compliant
- Sunlight readable screens
- Wireless communication
- Long battery life
- Lightweight

## Military

From combat readiness to logistical management, the need for rugged mobile computing to support military operations is clear. On and off the battlefield, soldiers need to not only communicate quickly and effectively, but those who support the front line need to ensure critical supplies get to where they're needed most.

AAEON offers MIL-STD-810G compliant and IP65 rated platforms, such as the RTC-1010 and RTC-710RK, which are designed to endure rough handling and harsh conditions that come with maintaining the supply lines for a modern force. Sunlight readable screens which can be adapted for use with gloves, allow for these rugged tablets to operate indoors and out, wherever military equipment and hardware needs to be moved. Effective and reliable communication is also provided through support for Wi-Fi, 4G/LTE and Bluetooth as well as various GPS protocols.





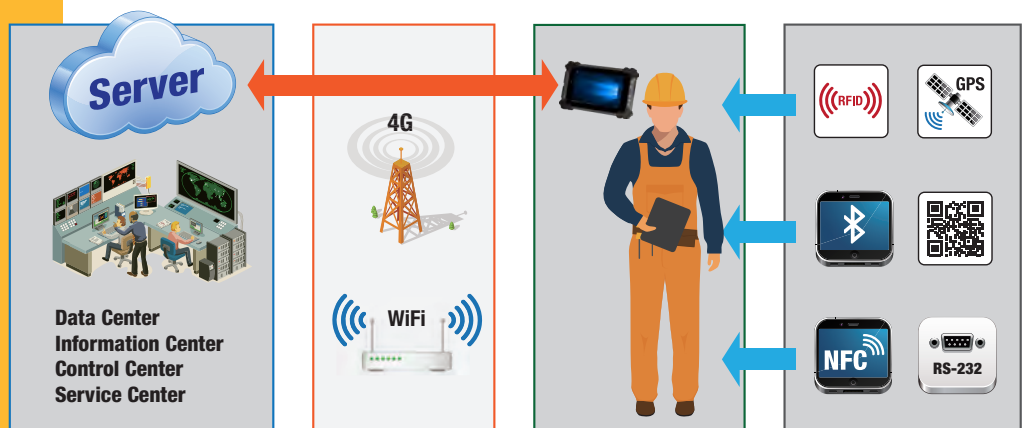
## Requirements

- Sunlight readable screens
- Vibration & water resistant
- Wireless communication
- Long battery life

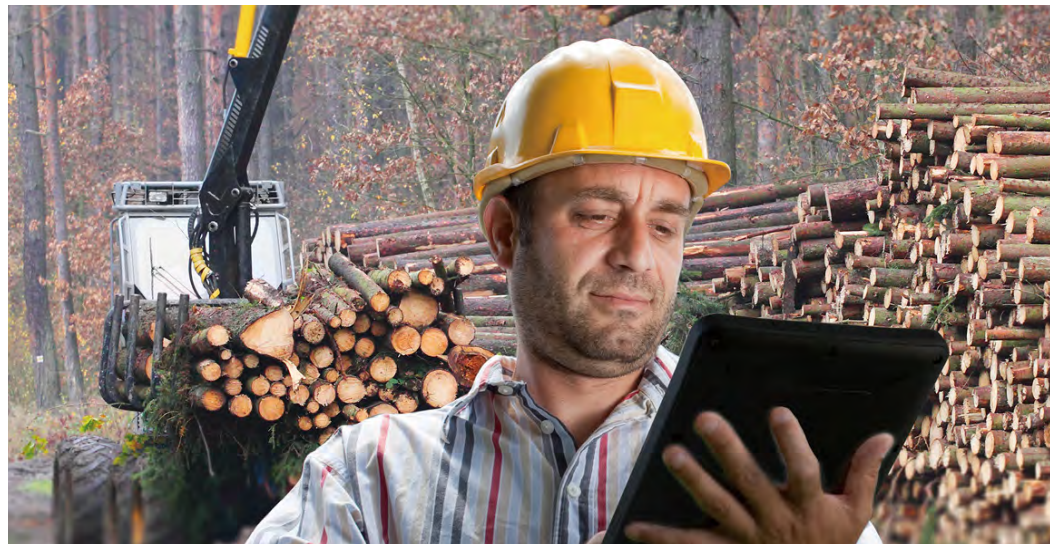
## Field Service

One application which has benefited greatly thanks to the deployment of rugged mobile computing is field service and inspection. A job which is almost exclusively conducted outdoors or at unfinished sites, having a rugged tablet able to hold up to the rigors of field work is essential. The RTC-710AP and RTC-1010 rugged tablets are perfectly suited for the task, with wide operating temperature ranges and IP65 rated sealing to keep out dust, sand, water and other particulates commonly encountered during on-site work in the field.

Built in 8MP rear and 2MP front cameras provide added benefit for field inspectors to take on-site photos, and I/O connections allow the rugged tablets to connect to field equipment as needed. Wireless communications support with Wi-Fi and 4G/LTE allows for instant communication either through teleconferencing, submitting reports, or quickly uploading photos and documents to the cloud. On-board support for GPS navigation also means it's hard to get lost with AAEON rugged tablets.



# Applications



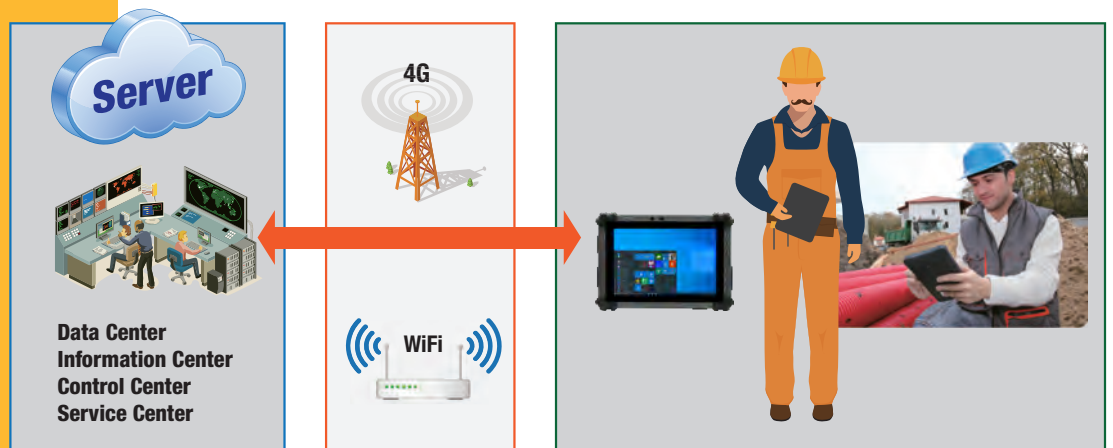
## Requirements

- Sunlight readable screens
- Vibration & water resistant
- Wireless communication
- Long battery life
- Mechanical control

## Heavy Machinery

Rugged mobile computing is helping to connect heavy machinery with the latest modern applications. Whether it's controlling equipment directly and providing human-machine interface, or acting as a monitor to track and report diagnostics and conditions, AAEON rugged tablets such as the RTC-1010 and RTC-710AP provide a vital tool in operating and maintaining heavy machinery.

Built for operating in any condition, whether indoors or out, AAEON rugged tablets feature touchscreens in a range of sizes from 7" to 11.6" with sunlight readable screens, configurable for use while wearing gloves as well as physical buttons for easier operation. Wireless support includes Wi-Fi, 4G/LTE, Bluetooth and GPS navigation to stay connected with networks, as well as a suite of I/O ports to allow the rugged tablets to connect directly to machinery when needed.





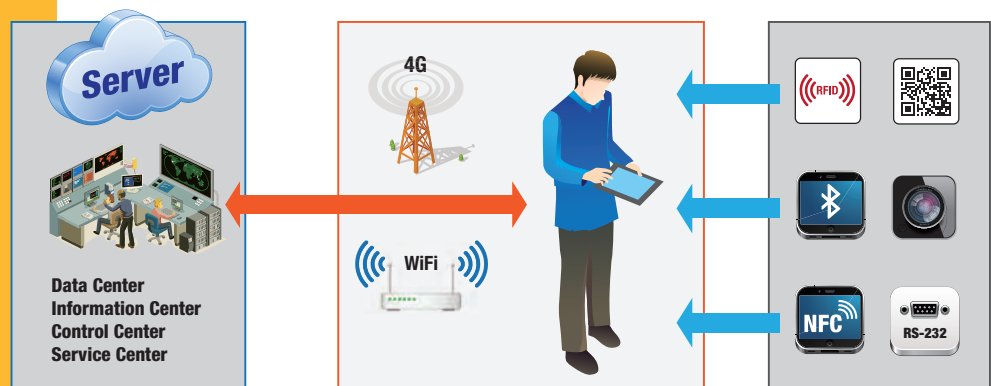
## Requirements

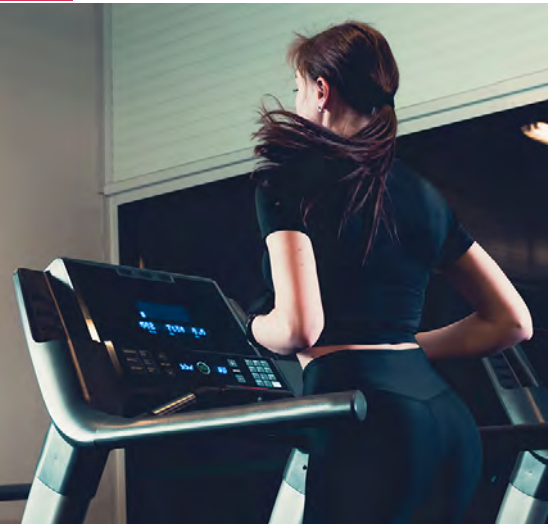
- Sunlight readable screens
- Vibration & water resistant
- Wireless communication
- Long battery life
- Lightweight
- Mechanical control

## Warehousing

No where has rugged mobile computing benefited users the most than in warehouses. From keeping track of stock, checking items in or out for shipment, or even managing orders on the go, rugged tablets provide warehouse workers and managers with a powerful tool that's always at their side. Whether it's the RTC-710RK or RTC-1010, AAEON rugged tablets are MIL-STD-810G compliant shock tested to provide a platform that can handle the bumps and drops that come with working in a warehouse.

AAEON rugged tablet PCs offer a range of accessories and support that are perfect for handling the toughest warehouse tasks. Hot swappable batteries ensure the tablets keep working all shift long, while optional add-ons such as barcode scanners helps fulfil the needs of logistical planning. Wireless communication with Wi-Fi and 4G/LTE support ensures the device is always connected to the warehouse database, and even provides a way to manage and control warehouse robots.





## Introduction

AAEON RISC boards offer a compact embedded solution with low profile design, open-source operating system, and low power usage. AAEON RISC boards are powered by the Rockchip RK3288 and RK3399 chipsets, utilizing the latest Arm Cortex multi-core processor technology. Built to the PICO-ITX form factor, AAEON RISC boards are designed compact and with I/O features to make it easy to integrate into any project or application.

OS Support List				
Model	Android		Debian	
	Version	Linux Kernel	Version	Linux Kernel
RICO-3288	6	3.18.10	9.0	3.8.10
	9	4.14	10	4.14
RICO-3288MINI	9	4.14	9.0	4.14
RICO-3399	7.1	4.4.1	9.0	4.4.1
	8.1	4.9	10	4.9
	11 (NFC: N/A)	4.19	N/A	N/A
RICO-MX8P	13	5.15	11	5.10
RICO-3568	12	4.19	10	4.19

## Featured Products



### RICO-3288

**Pico-ITX Fanless Board with Rockchip ARM Cortex™-A17 Quad-core Processor**

- Rockchip RK3288
- Onboard DDR3L 2GB/4GB (Optional)
- Onboard eMMC 16GB and Micro-SD Card Slot
- HDMI (1.4), eDP, LVDS, MIPI
- WiFi 802.11 a/b/g/n/ac, BT V4.2, GPS (Optional), NFC (Optional)
- GbE: RJ45 x 1
- USB 2.0: Micro-USB OTG x 1, Type A x 2, Pin Header x 1
- RS-232/422/485 x 1, RS-232 x 1
- 8-bit GPIO, I2C, mPCIe Slot x 1
- +12V DC Input
- OS Support: Android 9.0 / Debian
- Small Board Size: 100mm x 72mm (PICO-ITX)



### RICO-3399

**Pico-ITX Fanless Board with Rockchip ARM Cortex-A72 Dual-core and Cortex-A53 Quad-core Processor**

- Rockchip RK3399
- Onboard LPDDR3 2GB/4GB (Optional)
- Onboard eMMC 16GB and Micro-SD Card Slot
- HDMI (2.0), eDP
- WiFi 802.11 a/b/g/n/ac, BT V4.2, GPS (Optional), NFC (Optional)
- GbE: RJ45 x 1
- USB 3.2 Gen 1: OTG x 1, Type A x 1
- USB 2.0: Type A x 1, Pin Header x 1
- RS-232/422/485 x 1, RS-232 x 1
- 8-bit GPIO, I2C, mPCIe Slot x 1
- +12V DC Input
- OS Support: Android 8.1 / Debian
- Small Board Size: 100mm x 72mm (PICO-ITX)





## RICO-3568

**Pico-ITX Fanless Board with Rockchip RK3568 Quad-Core Arm® Cortex®-A55 Processor**

- Rockchip RK3568
- NPU: 0.8 TOPS
- Onboard LPDDR4 2GB/4GB/8GB (Optional)
- Onboard eMMC 16GB and Micro-SD Card Slot
- HDMI 2.0, eDP 1.3, LVDS, MIPI
- Wi-Fi 802.11 a/b/g/n/ac, BT V5.0
- GbE x 2 (One located in Daughter board)
- USB 3.2 Gen 1: Type-C OTG x 1, Type A x 1
- USB 2.0: Type-A x 1, Pin Header x 1
- RS-232/422/485 x 1, RS-232 x 1, Debug Port x 1
- 8-bit GPIO, I2C, mPCIe Slot x 1 (mSATA/USB)
- +12V DC Input
- 12V-24V Input, PoE, CAN Bus x 1, USB 2.0 x 2 via Daughter board, PER-T650
- OS Support: Android™ 12/Debian® 10
- Small Board Size: 100mm x 80mm



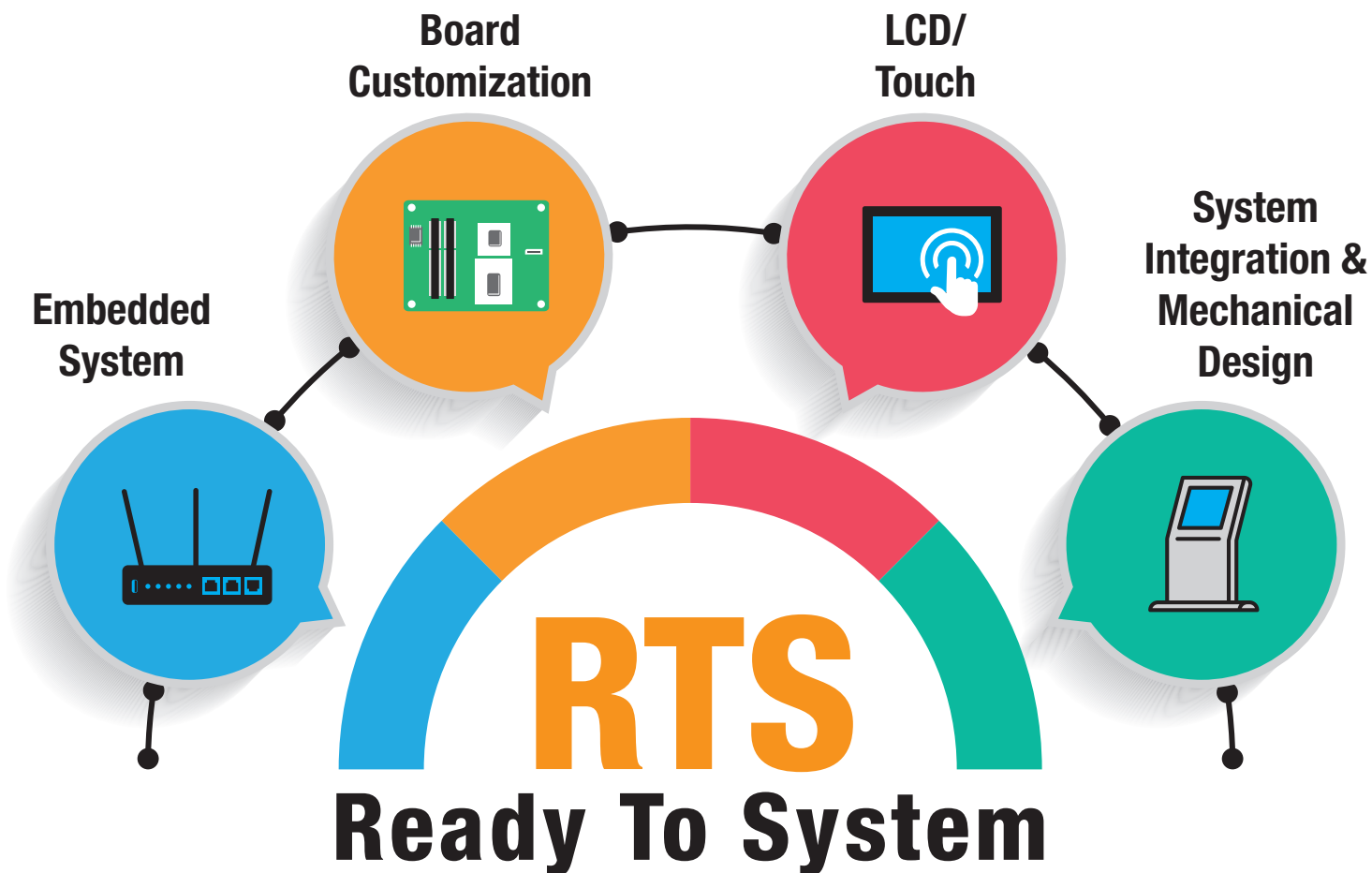
## RICO-MX8P

**Pico-ITX Fanless Board with NXP i.MX 8M Plus**

- NXP i.MX 8M Plus
- Onboard LPDDR4 2GB/4GB/8GB (Optional)
- Onboard eMMC 16GB and Micro-SD Card Slot
- HDMI 2.0(Default), LVDS, MIPI (Optional)
- M.2 2230 E-Key Slot (WiFi/BT Module, Optional)
- GbE x 2 (Onboard x 1, Daughter Board x 1)
- USB 3.2 Gen 1 x 2 (Type-C OTG x 1, Type-A x 1)
- USB 2.0 x 1 (Type-A)
- RS-232/422/485 x 1, 2-wire RS232 x 1, Debug Port x 1
- 8-bit GPIO, I2C, mPCIe Slot x 1
- +12V DC Input
- 12~24V Input, PoE, CANBus x 2, USB 2.0 x 2 via PER-T650 Daughter board
- Debian 11 Support
- Small Board Size (100mm x 80mm)



# AAEON RICO-3288/RICO-3399 RISC Ready to System (RTS) Solutions



## Introduction

AAEON's RISC Ready to System (RTS) Solutions combine our knowledge and expertise in RISC architecture, OEM/ODM services and system design to offer developers and systems integrators a more complete package solution to help get their applications off the ground quickly. RTS solutions are based around the flexible RICO-3288 and RICO-3399 PICO-ITX RISC boards powered by Rockchip processors.

Customers can choose to add on components such as LCD with touch screens, 4G/LTE support, cables and connectors. RTS solutions also offer full end-to-end service with board layout customization and mechanical design to mount the board into an enclosure or designing the entire system from the ground up. AAEON RTS Solutions come with industry leading support, working closely to provide services such as customizing Android OS image, testing and validating customer software, and more to help accelerate development and reduce time to market.





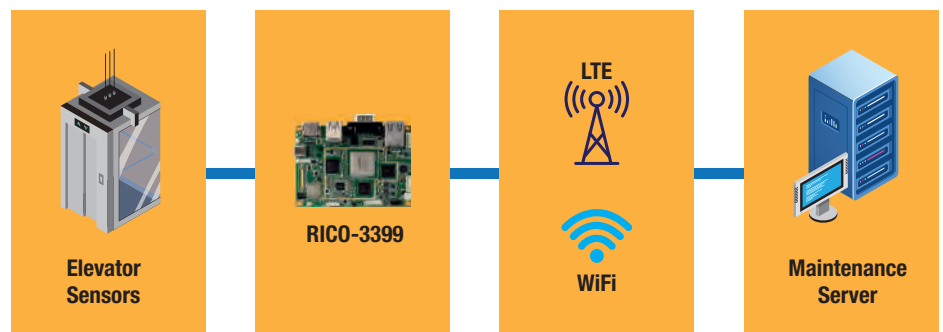
## Requirements

- Low Power
- Energy Efficiency
- Reliable Operation
- Wide-Temperature
- Custom Android Image

## Elevator Maintenance Monitor RICO-3399

An elevator company recently decided to modernize the fleet of elevators they help maintain for their customers. One way they did this was to make maintenance more efficient and to address problems as they arise, before they can cause trouble. The company selected the RICO-3399 for the job, with its compact size, stable and reliable operation, and wide temperature design.

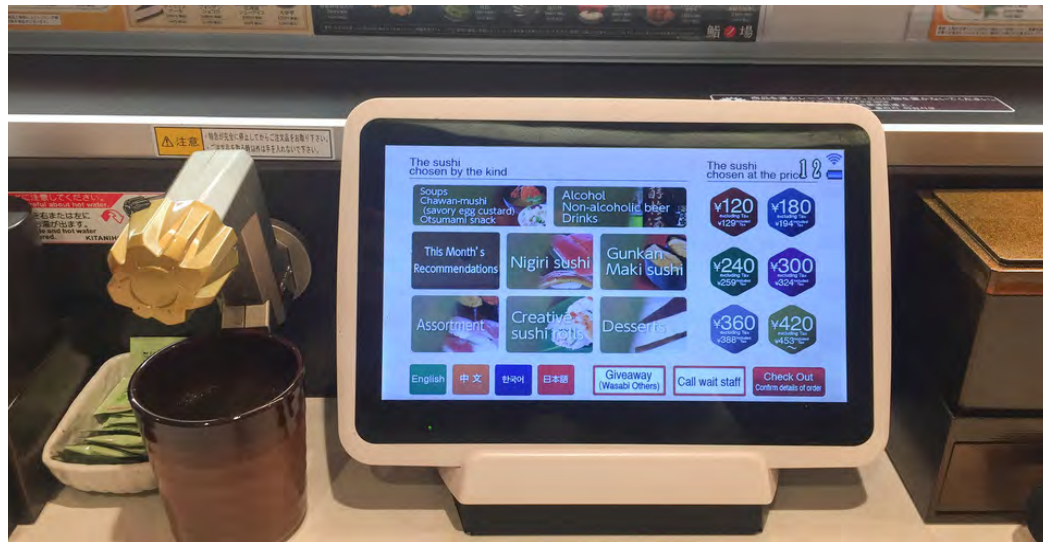
AAEON helped build a custom Android image which eliminated many unnecessary background applications, further saving processing power and energy, especially when the elevator is not in use. Utilizing wireless communication, the RICO-3399 connects to the company's maintenance servers allowing them to keep a close eye on the elevator, and help prevent breakdowns before they happen.





## Requirements

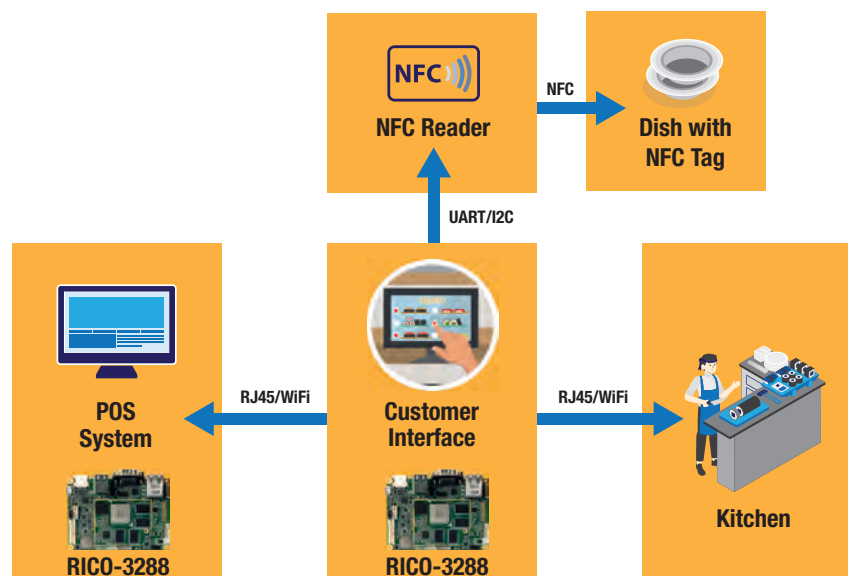
- Compact Board
- Reliable Operation
- Custom Android Image
- Mechanical Design Support
- LCD with Touch Screen



## Computerized Restaurant Ordering System RICO-3288

While most restaurants try to predict customer traffic and adjust their staffing to match, customer rushes can be unpredictable. Add in customer's ability to order individual dishes a la carte, such as in a sushi restaurant, and it becomes almost impossible to keep up with each individual diner. Many restaurants are turning to at-table ordering systems, with interactive touch-screen menu displays.

The RICO-3288 and AAEON RISC RTS solutions are at the forefront of designing and deploying these systems, helping provide LCD with touch screens, custom Android images, and even helping with mechanical design for ordering systems which can retract or hide out of the way when customers aren't using the systems.





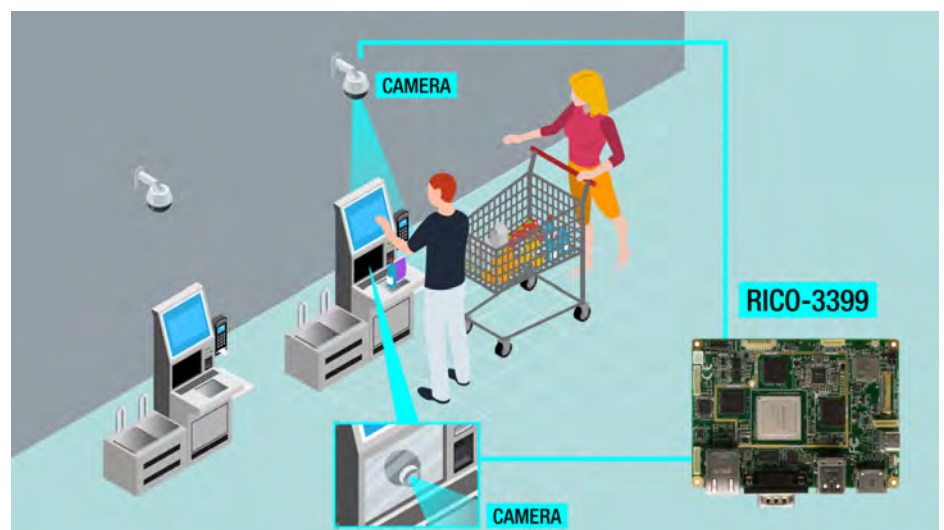
## Requirements

- AI Edge Capable
- Reliable Operation
- Low Maintenance
- Wi-Fi Support
- Custom Android Image

## Self-Checkout Loss Prevention RICO-3399

It's well known in the retail industry that self-checkout lanes provide greater customer convenience and experience. However, they have also become one of the highest sources of loss by shoplifting in large retailers. Deploying an object identification and behavioral analysis AI inference, retailers can better track and be alerted to potential shoplifters.

The RICO-3399 offers the processing needed to power these AI Edge Computing inferences, processing multiple camera inputs to observe customers as they check out. This also helps increase accuracy with self-checkout aisles, reducing false alarms which weight-based systems are often prone to. Fanless design and reliable operation also help reduce maintenance costs, and by connecting with the in-store networks, the RICO-3399 can warn loss prevention personnel of potential issues.



# AAEON Rugged Mobile and RISC OEM/ODM Services

## Introduction

AAEON Rugged Mobile Division (RMD) OEM/ODM team is dedicated to providing services for customers needing durable mobile solutions, whether board level RISC-based solutions or complete rugged systems. AAEON RMD offers over a decade of industry leading expertise and experience to bring end-to-end service and support, from firmware to smart battery management, integrated wireless communication to bright impact resistant LCD screens. RMD OEM/ODM can help accelerate development and reduce time to market whether its large volume production or small projects, with experience across a wide range of applications including ePOS, eBook reader, media boxes, fitness & exercise equipment and even client branded rugged tablets. We're also engaging new OEM/ODM markets including edge computing, AIOT gateways, and smart factory automation as part of the growing Industry 4.0 ecosystem.

## Milestones

- Taiwan Excellence Awards: RTC-700R Gold, RTC-700T Silver
- Awarded ODM contract for mobile POS system by global manufacturer
- Awarded defense contract to deliver RTC-1010, 1,500 units annually
- Awarded contract to provide RTC-700B for access control, 2,000 units annually
- RMD secures four ODM contracts, each valued over \$1 million USD
- Your OEM/ODM project



- AAEON Rugged Mobile Division founded
- Awarded ODM Rugged Tablet Contract with Japanese Tier 1 Cellular Carrier, 12,000 units annually
- Taiwan Excellence Awards: RTC-900B, RTC-1200SK
- Mobile POS ODM project mass production, 45,000 units annually
- RMD OEM/ODM services team officially established

## Core Competencies



### Embedded Firmware Service

- Power Sequence, Sensors Access



### Limitless Mobility

- RFID, 5G, WI-FI 6, Bluetooth, GPS



### Smart Battery Management

- Gauge Controller, Dual Swappable Batteries, Extend Portable Battery Life



### High Brightness LCD

- Low Humidity, High Transmittance, and UV-block Coating



# AAEON Rugged Mobile and RISC OEM/ODM Services

## System



With AAEON RMD OEM/ODM services you get access to our knowledge and experience in designing rugged mobile systems, from mechanical design to selecting the right materials for the job, and ensuring a smooth manufacturing process to reduce and eliminate factory defects. RMD OEM/ODM covers all the bases, from design and process failure mode and effects analysis (DFMEA/PFMEA) to mold flow analysis, mechanical, tolerance and thermal analysis. RMD OEM/ODM offers total end-to-end service in designing, testing and deploying your custom system.

## Software



AAEON RMD OEM/ODM team also includes dedicated software support. RMD OEM/ODM team can help power your board with services designed to ensure proper functionality with license operating systems like Microsoft® Windows™ or open-source OS like Android and Debian; building, testing and validating custom operating system images; or helping to validate and debug proprietary software, ensuring it runs smoothly. AAEON RMD OEM/ODM team provides rapid service, responding to software questions or issues quickly to prevent delays in deploying your application.

## Board



The foundation of any project, RMD's OEM/ODM team can help design and build the perfect layout for your project. Utilizing both Intel x86 and ARM based processors including the Rockchip RK3000 series and NXP i.MX8, OEM/ODM customers can choose the best system for their applications. Functionality and flexibility are easy to achieve, whether you need broad I/O and expansion support, built-in Wi-Fi or cellular support (4G/LTE/5G), or need an ultrathin, compact board. How thin can we make it? Yes.

## Service

AAEON RMD OEM/ODM team is dedicated to working closely with every customer, providing individualized service throughout the process. Our team responds to inquiries and issues quickly, and provides testing, validation and certification to help accelerate development and reduce time-to-market. RMD OEM/ODM service doesn't stop at the loading dock, either. AAEON is dedicated to providing service and support after our products leave the factory, providing quick response and turn around including RMAs processed within 24 hours.

# OMNI Modular Builder

## Introduction

The OMNI Panel PC is built with an innovative modular design to make it quick and easy for suppliers and customers to find and build the configuration they need for the job. From panel and box to I/O modules, the OMNI Panel PC offers a range of configurations and combinations you can build.

The OMNI modular panel PC features three main components; the Panel Kit, CPU BOX Kit, and I/O Modules. Each Panel Kit comes with a standard slot attachment, which allows any OMNI CPU BOX kit to be mounted quickly and easily. It only takes three wires and three screws to attach the CPU BOX kit to the Panel Kit. The optional I/O Modules simply plug into the side of the CPU BOX Kit and can be secured with two screws. Even better, the OMNI system uses a plug-and-play style firmware, allowing you to quickly change components without needing to flash or update the BIOS settings.

With this modular design system, customers can easily build or upgrade their own Panel PC, and suppliers can enjoy more flexibility and cost savings while maintaining stock. All a customer needs to do is pick their preferred screen size, the box kit with the processor and specifications desired, and the optional I/O module they need.

## Build Your Own or Select a Pre-built System

### Select Module Kit to Build Your Configuration



Panel Kit

Box Kit

I/O Module / iDoor Module

### Pre-built System



Modular  
Touch  
Panel  
Solutions



## Build Your Own in Three Steps!

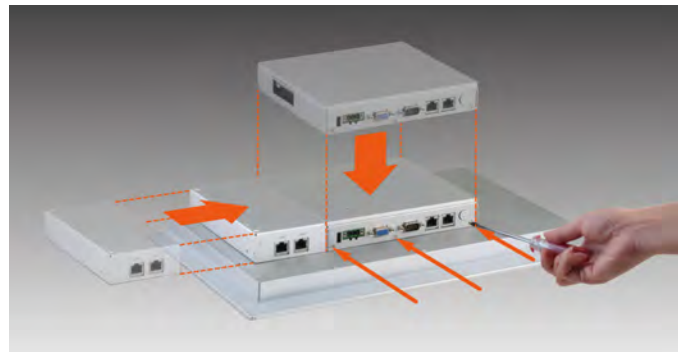
**Step 1: Select a Panel Kit, with sizes from 10.4" up to 21.5"**



**Step 2: Select a CPU Box Kit or a Display Box Kit**



**Step 3: Select an I/O Module / iDoor Module (Optional)**



## Or Select a pre-built OMNI System

**OMNI-SKU:** These systems feature the 6th Generation Intel Core i7/i5/i3 and Celeron 3995 processors (formerly Skylake), combined with up to 16GB of memory.

**OMNI-BT:** These systems are powered by the Celeron J1900 and Celeron N2807 processors (formerly Bay Trail), with up to 8GB of memory available (J1900 CPU).

**OMNI-M:** These systems are fitted with the Display Box Kit, allowing you to connect the OMNI panel to any PC system via VGA or HDMI.

**OMNI-ADP:** These system feature the 12th Generation Intel Core i7/i5/i3 and Celeron 7305E processor (formerly Alder Lake P) combined with up to 64GB of memory.

**OMNI-ADN:** There system are powered by the N97 and N50 processors (formerly Alder Lake N) with up to 32GB of memory.



# 01

# 01

## Rugged Tablet Computers



ES France - Mobilité & Systèmes Embarqués  
127 rue de Buzenval BP 26 - 92380 Garches



Tél. 01 47 95 99 80



e-mail : [mse@es-france.com](mailto:mse@es-france.com)  
Site Web : [www.es-france.com](http://www.es-france.com)

# RTC-710RK

7" Rugged Tablet ARM-based Android™ with 1.6 GHz Quad Core Processor



## Features

- 7" WXGA (1280 x 800) 700-nit TFT LCD
- Rockchip RK3399K Processor
- Onboard LPDDR4 Memory, 2GB (Default) / 4GB
- eMMC 16GB (Default) / 32GB / 64GB
- Projected Capacitive Multi-Touch Screen
- WiFi 802.11b/g/n, Bluetooth 4.2, LTE (Optional)
- 8MP Front and 8MP Rear Camera
- UART Port + 10/100/1000 Base-T RJ45 via I/O Module (Optional)
- USB 3.2 Gen 1 Type-C x 1, USB 2.0 Type-A x 1
- 2D Barcode Scanner via I/O Module (Optional)
- GPS + GLONASS (Default), BeiDou (Optional)
- One Hot-swappable Battery + Internal Battery, Up to 44W Battery Capacity
- MIL-STD-810G, IP65 Compliant, Drop 150cm
- Programmable Function Key: F1, F2, F3, Volume Up/Down, With LED Illumination
- Android 11



Barcode Scanner (Optional)	2D Barcode scanner, OPTICON MDI-4100-USB via I/O module (Optional)
HF RFID (Optional)	—
Audio	Speaker x 1
Physical Key	F1 (Audio On/Off), F2 (Screenprint), F3 (Barcode Scanner Trigger), Volume Up, Volume Down
<b>Mechanical</b>	
Color	Dark Gray
Dimension (W x H x D)	8.65" x 5.46" x 0.94" (219.8 x 138.8 x 23.9 mm)
Gross Weight	1.54 lb (0.7 Kg) based on configurations
<b>Environmental</b>	
Operating Temperature	-4°F ~ 140°F (-20°C ~ 60°C) for high-brightness version
Storage Temperature	-22°F ~ 158°F (-30°C ~ 70°C)
Humidity	MIL-STD-810G Method 507.5
Environmental Sealing	IP65
Vibration	MIL-STD-810G Method 514.6
Drop	MIL-STD-810G Method 516.6 Procedure IV Height of Drop: 150 cm 5 ft
Shock	MIL-STD-810G
ESD	Air charge: +/- 8KV, Contact charge: +/- 4KV
Certifications and Standards	UL62368-1, CE EMC, CE RED WiFi 2.4G+5G; CB; FCC EMC, FCC RF WiFi 2.4G; UKCA / UL; TELEC WiFi / LTE
<b>Power Supply</b>	
AC / DC Adapter	AC 100 ~ 240 V, 50 ~ 60 Hz, Output: 12V/ 3.34A/ 40W
Battery Life	Li-ion Battery 8-hour battery life based on test configurations
Master Battery	7.2V, 4540mAh, 32.7W
Slave Battery	Hot-swappable battery: 7.4V, 1530mAh, 11.3W (Optional)
<b>Display</b>	
LCD	7" TFT-LCD / 16:10, with LED backlight
Resolution	1280 x 800
Maximum Color	—
Dot Size	0.03925(H) X 0.11775(V) mm
Brightness	700 / 300 nits
Viewing Angle	Horizontal: 178° (Typ.), Vertical: 178° (Typ.)
<b>Touch Screen</b>	
Touch Type	7" Projected Capacitive Multi-Touch Screen (700 nits with 10 points)
Light Transmission	Min. 85%

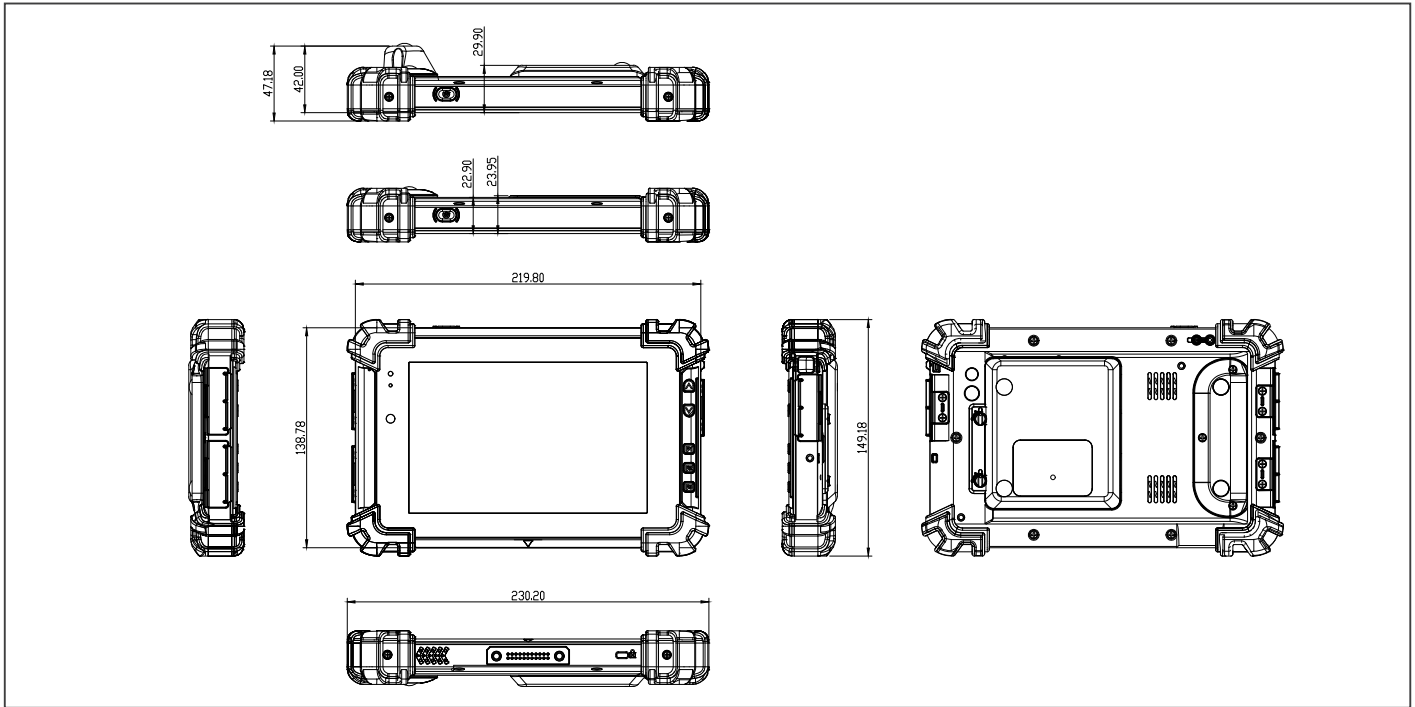
## Specifications

System Architecture	
Processor	Rockchip RK3399K Processor (Quad-Core A53 1.6GHz & Dual-Core A72 2.0GHz)
Operating System	Android™ 11 (No NFC function)
Memory	Onboard LPDDR4 2GB (Default) / 4GB
Storage	eMMC 16GB (Default) / 32GB / 64GB
Display	7" WXGA (1280x800) 700-nit TFT LCD With Projected Capacitive Multi-Touch Screen
I/O Port	SIM card slot x 1 USB 3.2 Gen 1 Type-C x 1 Audio jack x 1 (3.5mm) DC-in jack x 1 Micro-SD card slot x 1 USB 2.0 Type-A x 1 UART Port x 1 (Via I/O Module) 10/100/1000 Base-T RJ45 x 1 (Via I/O Module)
Communication	Wi-Fi 802.11 b/g/n, Bluetooth v4.2 (EDR + BLE)
Navigation	GPS + GLONASS (Default), BeiDou (Optional), External Antenna (Optional)
WWAN(optional)	LTE via M.2 slot (Optional) Hot-swappable Battery can not be used when LTE module is installed.
Camera	8MP front camera 8MP rear camera with flash
Sensor	G-sensor, E-compass, Gyro-sensor, Light-sensor
Expansion Slot	M.2 slot x 1 Docking connector: USB 3.2 Gen 1 x 1



## Dimension

Unit: mm



## Packing List

- **RTC-710RK**
  - **1255X00008**  
AC-To-DC Power Adaptor, 12V, 40W
- \*Power cord must be purchased separately.

## Optional Accessories

- **RDS-0710-000**  
Docking Station
- **RDS-0710-001**  
Docking Station, W/ Stand
- **RTC-710-HS-000**  
Hand Strap
- **RTC-710-BAG-000**  
Carry Bag
- **RDS-0040-0000**  
4-Bay Battery Charger
- **9741600R04**  
Battery Pack, 7.4V, 1530mAh, 2pcs/Box
- **RTC-710-VMP-000**  
VESA Mount Plate, for I/O Module Excluded
- **RTC-710-DTDP-A-000**
- **170X000799**  
Power Cord for USA
- **170X001024**  
Power Cord for Europe
- **170X000803**  
Power Cord for UK
- **170X000803**  
Power Cord for Japan
- Car Adapter, Cigarette Plug

## Ordering Information

Part Number	CPU	OS	LCD Display	Touch Screen	System Memory	Storage	Expansion I/O	Sensor	WiFi/Bluetooth	Navigation	LTE Bands (MHz)	Camera	Docking	2D Barcode Scanner	Battery	Power
RTC-710RK-RH0001	RK3399K	Android 11	7" 700 nits	PCT 10 points	LPDDR4 2GB	eMMC 16GB	SIM card slot x 1, USB 3.2 Gen 1 Type-C x 1, Audio jack x 1 (3.5mm), DC-in jack x 1, Micro-SD card slot x 1, USB 2.0 Type-A x 1	G-sensor Gyro-sensor Light-sensor	802.11 b/g/n + BT4.2	—	—	Front: 8MP	—	—	32.7W (internal)	DC12V
RTC-710RK-RH0002	RK3399K	Android 11	7" 700 nits	PCT 10 points	LPDDR4 2GB	eMMC 16GB	SIM card slot x 1, USB 3.2 Gen 1 Type-C x 1, Audio jack x 1 (3.5mm), DC-in jack x 1, Micro-SD card slot x 1, USB 2.0 Type-A x 1	G-sensor Gyro-sensor Light-sensor	802.11 b/g/n + BT4.2	GPS / GLONASS	—	Front: 8MP Rear: 8MP w/ Flash	Yes	—	32.7W + 11.3W	DC12V
RTC-710RK-RH0003	RK3399K	Android 11	7" 700 nits	PCT 10 points	LPDDR4 2GB	eMMC 16GB	SIM card slot x 1, USB 3.2 Gen 1 Type-C x 1, Audio jack x 1 (3.5mm), DC-in jack x 1, Micro-SD card slot x 1, USB 2.0 Type-A x 1, UART Port x 1 (Via I/O Module), 10/100/1000 Base-T RJ45 x 1 (Via I/O Module)	G-sensor Gyro-sensor Light-sensor	802.11 b/g/n + BT4.2	GPS / GLONASS	—	Front: 8MP Rear: 8MP w/ Flash	Yes	—	32.7W + 11.3W	DC12V
RTC-710RK-RH0004	RK3399K	Android 11	7" 700 nits	PCT 10 points	LPDDR4 2GB*	eMMC 16GB	SIM card slot x 1, USB 3.2 Gen 1 Type-C x 1, Audio jack x 1 (3.5mm), DC-in jack x 1, Micro-SD card slot x 1, USB 2.0 Type-A x 1, 2D BCR x 1 (Via I/O Module)	G-sensor Gyro-sensor Light-sensor	802.11 b/g/n + BT4.2	GPS / GLONASS	—	Front: 8MP Rear: 8MP w/ Flash	Yes	Yes	32.7W + 11.3W	DC12V
RTC-710RK-RH0005	RK3399K	Android 11	7" 700 nits	PCT 10 points	LPDDR4 4GB	eMMC 16GB	SIM card slot x 1, USB 3.2 Gen 1 Type-C x 1, Audio jack x 1 (3.5mm), DC-in jack x 1, Micro-SD card slot x 1, USB 2.0 Type-A x 1	G-sensor Gyro-sensor Light-sensor	802.11 b/g/n + BT4.2	GPS / GLONASS	—	Front: 8MP Rear: 8MP w/ Flash	Yes	—	32.7W + 11.3W	DC12V

# RTC-710AP

7" Rugged Tablet Featuring Intel® Celeron® Processor N3350/Intel® Pentium® Processor N4200 with Windows® 10



## Features

- 7" WXGA (1280 x 800) 700 nit TFT LCD
- Intel® Celeron® Processor N3350, 1.1 GHz Dual Core Up to 2.4GHz (Optional: Intel® Pentium® Processor N4200)
- Onboard LPDDR4 Memory, 4GB (Default)/8GB
- eMMC 64GB (Default)/128GB
- Projected Capacitive Multi-Touch Screen
- Wi-Fi 802.11 b/g/n, Bluetooth 5.1, LTE (Optional)
- 2MP Front and 8MP Rear Camera
- RS-232 COM Port + 10/100/1000 Base-T RJ-45 via I/O Module (Optional)
- USB 3.2 Gen 1 (Type-C) x 1, USB 2.0 (Type-A) x 1
- 2D Barcode Scanner via I/O Module (Optional)
- NFC (HF RFID) Reader (Optional)
- Up to 3 GNSS, GPS + Galileo (Default), GLONASS, BeiDou (Optional)
- One Hot-swappable Battery + Internal Battery, Up to 44W Capacity
- MIL-STD-810G, IP65 Compliant, Drop 150cm
- Function Key: F1, F2, F3, Volume Up/Down, With LED Illumination
- Windows® 10 IoT



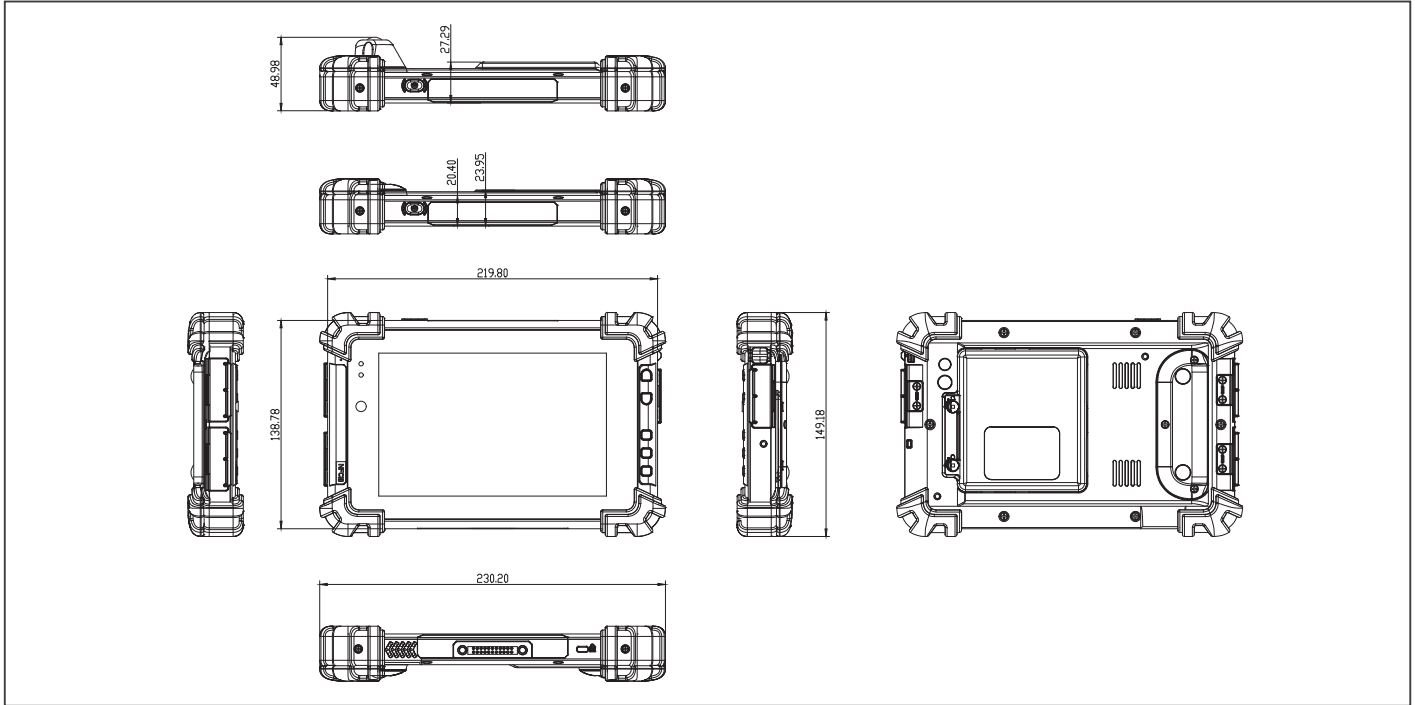
Audio	Speaker x 1
Physical Key	F1 (Ctrl+Alt+Del as Soft Reboot), F2 (Screenprint), F3 (Barcode Scanner Trigger), Volume Up, Volume Down
<b>Mechanical</b>	
Color	Dark Gray
Dimension (W x H x D)	8.65" x 5.46" x 0.94" (219.8mm x 138.8mm x 23.9mm)
Gross Weight	1.54 lb (0.7 Kg) based on configurations
<b>Environmental</b>	
Operating Temperature	-4°F ~ 122°F (-20°C ~ 50°C) for high-brightness version
Storage Temperature	-22°F ~ 158°F (-30°C ~ 70°C)
Humidity	MIL-STD-810G Method 507.5
Environmental Sealing	IP65
Vibration	MIL-STD-810G Method 514.6
Drop	MIL-STD-810G Method 516.6 Procedure IV Height of Drop: 150 cm (5 ft)
Shock	—
ESD	Air charge: +/- 8KV, Contact charge: +/- 4KV
Certifications and Standards	CE EMC, CE RED WiFi 2.4G+5G / LTE; LVD; FCC EMC, FCC RF WiFi 2.4G; UKCA; TELEC WiFi / LTE
<b>Power Supply</b>	
AC / DC Adapter	AC 100V ~ 240 V, 50Hz ~ 60Hz, Output: 12V/3.34A/40W
Battery Life	Li-ion Battery 8-hour battery life based on test configurations
Master Battery	7.2V, 4540mAh, 32.7Wh
Slave Battery	Hot-swappable battery: 7.4V, 1530mAh, 11.3Wh (Optional)
<b>Display</b>	
LCD	7" TFT-LCD/16:10, with LED backlight
Resolution	1280 x 800
Maximum Color	—
Dot Size	0.03925mm (H) x 0.11775mm (V)
Brightness	700 nits
Viewing Angle	Horizontal: 178° (Typ.), Vertical: 178° (Typ.)
<b>Touch Screen</b>	
Touch Type	7" Projected Capacitive Multi-Touch Screen (700 nits with 10 points)
Light Transmission	Min. 85%

## Specifications

System Architecture	
Processor	Intel® Celeron® Processor N3350 1.10 GHz, dual core, up to 2.4 GHz Intel® Pentium® Processor N4200 1.10 GHz, quad core, up to 2.5 GHz
Operating System	Windows® 10 IOT Enterprise SAC
Memory	Onboard LPDDR4, 4GB (Default)/8GB
Storage	eMMC 64GB (Default)/128GB
Display	7" WXGA (1280x800) 700-nit TFT LCD With Projected Capacitive Multi-Touch Screen
I/O Port	SIM Card Slot x 1 USB 3.2 Gen 1 (Type-C) x 1 Audio Jack x 1 (3.5mm) DC-in Jack x 1 MicroSD Card Slot x 1 USB 2.0 (Type-A) x 1 RS-232 COM Port x 1 (via I/O Module)(Cannot co-use with HF RFID) 10/100/1000 Base-T RJ-45 x 1 (via I/O Module)
Communication	Wi-Fi 802.11 b/g/n, Bluetooth v5.1
Navigation	Up to 3 GNSS, GPS + Galileo (Default), GLONASS, BeiDou (Optional) LTE via M.2 slot (Optional)
WWAN(optional)	Hot-swappable Battery can not be used when LTE module is installed.
Camera	2MP Front Camera, 8MP Rear Camera with flash
Sensor	G-sensor, E-compass, Gyro-sensor, Light-sensor
Expansion Slot	M.2 slot x 1, Docking connector: USB 3.2 Gen 1 x 1
Barcode Scanner (Optional)	2D Barcode scanner, OPTICON MDI-4100-USB via I/O module (Optional)
RFID (Optional)	ISO 15693 (R/W), ISO 18092 (R/W), ISO 14443-A (R/W), ISO 14443-B (Only

## Dimension

Unit: mm



## Packing List

- RTC-710AP
  - 1255X00008  
AC-To-DC Power Adaptor, 12V, 40W
- \*Power cord must be purchased separately.

## Optional Accessories

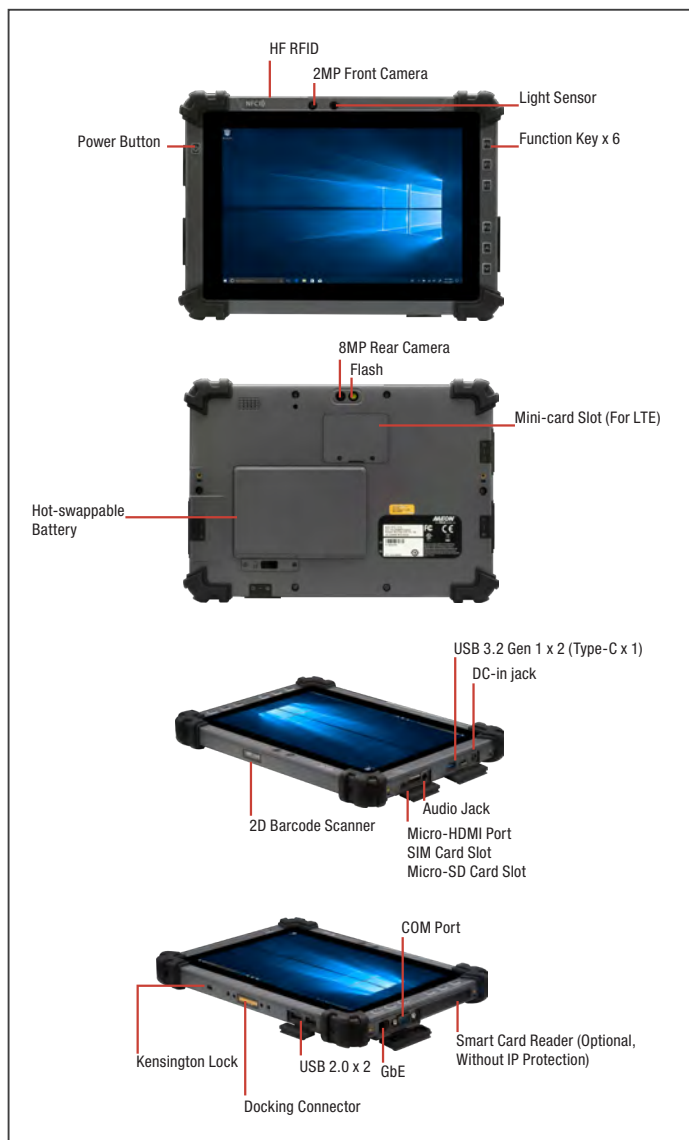
- RDS-0710-000  
Docking Station
- RDS-0710-001  
Docking Station, W/ Stand
- RTC-710-HS-000  
Hand Strap
- RTC-710-BAG-000  
Carry Bag
- RDS-0040-0000  
4-Bay Battery Charger
- 9741600R04  
Battery Pack, 7.4V, 1530mAh, 2pcs/Box
- RTC-710-VMP-000  
VESA Mount Plate, for I/O Module Excluded
- RTC-710-DTDP A-000
- Car Adapter, Cigarette Plug
- 170X000799  
Power Cord for USA
- 170X001024  
Power Cord for Europe
- 170203180J  
Power Cord for UK
- 170X000803  
Power Cord for Japan

## Ordering Information

Part Number	CPU	OS	LCD Display	Touch Screen	System Memory	Storage	Expansion I/O	Sensor	WiFi/Bluetooth	Navigation	LTE Bands (MHz)	Camera	Docking Connector	2D Barcode Scanner	NFC	Battery	Power
RTC-710AP-RH0001	Intel® Pentium® Processor N4200	Windows 10 IoT	7" 700 nits	PCT 10 points	LPDDR4 4GB	eMMC 64GB	SIM card slot x 1, USB 3.2 Gen 1 Type-C x 1, Audio jack x 1 (3.5mm), DC-in jack x 1, Micro-SD card slot x 1, USB 2.0 Type-A x 1	G-sensor, E-compass, Gyro-sensor, Light-sensor	802.11 b/g/n + BT4.2	—	—	Front: 2MP	—	—	—	32.7W (internal)	DC12V
RTC-710AP-RH0002	Intel® Pentium® Processor N4200	Windows 10 IoT	7" 700 nits	PCT 10 points	LPDDR4 4GB	eMMC 64GB	SIM card slot x 1, USB 3.2 Gen 1 Type-C x 1, Audio jack x 1 (3.5mm), DC-in jack x 1, Micro-SD card slot x 1, USB 2.0 Type-A x 1	G-sensor, E-compass, Gyro-sensor, Light-sensor	802.11 b/g/n + BT4.2	GPS / Galileo / GLONASS	—	Front: 2MP, Rear: 8MP w/ Flash	Yes	—	Yes	32.7W (internal) +11.3W(external)	DC12V
RTC-710AP-RH0003	Intel® Pentium® Processor N4200	Windows 10 IoT	7" 700 nits	PCT 10 points	LPDDR4 4GB*	eMMC 64GB	SIM card slot x 1, USB 3.2 Gen 1 Type-C x 1, Audio jack x 1 (3.5mm), DC-in jack x 1, Micro-SD card slot x 1, USB 2.0 Type-A x 1, RS232 Port x 1 (Via I/O Module), 10/100/1000 Base-T RJ45 x 1 (Via I/O Module)	G-sensor, E-compass, Gyro-sensor, Light-sensor	802.11 b/g/n + BT4.2	GPS / Galileo / GLONASS	—	Front: 2MP, Rear: 8MP w/ Flash	Yes	—	—	32.7W (internal) +11.3W(external)	DC12V
RTC-710AP-RH0004	Intel® Pentium® Processor N4200	Windows 10 IoT	7" 700 nits	PCT 10 points	LPDDR4 4GB	eMMC 64GB	SIM card slot x 1, USB 3.2 Gen 1 Type-C x 1, Audio jack x 1 (3.5mm), DC-in jack x 1, Micro-SD card slot x 1	G-sensor, E-compass, Gyro-sensor, Light-sensor	802.11 b/g/n + BT4.2	GPS / Galileo / GLONASS	—	Front: 2MP, Rear: 8MP w/ Flash	Yes	Yes	Yes	32.7W (internal)+11.3W (external)	DC12V

# RTC-1010

10.1" Rugged Tablet Featuring Intel® Celeron® Processor N3350/Intel® Pentium® Processor N4200 with Windows® 10



## Specifications

System Architecture	
Processor	Intel® Celeron® Processor N3350 1.10 GHz, dual core, up to 2.4 GHz Intel® Pentium® Processor N4200 1.10 GHz, quad core, up to 2.5 GHz
Operating System	Windows® 10 IoT Enterprise SAC
Memory	Onboard DDR3L 4GB (Default)/8GB
Storage	eMMC 64GB (Up to 256GB, Optional)
Display	10.1" WXGA (1280 x 800) 800 nit/300 nit TFT LCD with Projected Capacitive Multi-Touch Screen
I/O Port	Micro HDMI Port x 1 SIM Card Slot x 1 MicroSD Card Slot x 1 Audio Jack x 1 (3.5mm) USB 3.2 Gen 1 x 2 (USB Type-C x 1), USB 2.0 x 2 DC-in Jack x 1 RS-232/422/485 COM Port x 1 10/100/1000 Base-T RJ-45 x 1 Smart Card Reader x 1 (Optional, Without IP protection)
Communication	Wi-Fi 802.11 a/b/g/n/ac, Bluetooth v5.1 (EDR + BLE), Intel AC9260
Navigation	Up to 3 GNSS, GPS + Galileo (Default), GLONASS, BeiDou (Optional)
WWAN(optional)	LTE via Mini Card slot (Optional)
Camera	2MP Front Camera 8MP Rear Camera with flash
Sensor	G-sensor, E-compass, Gyro-sensor, Light-sensor
Expansion Slot	Inside M.2 slot x 1 (For WiFi module) Mini-card slot x 1 (For LTE module)

## Features

- 10.1" WXGA (1280 x 800) 800 nit/300 nit TFT LCD
- Intel® Celeron® Processor N3350 1.10 GHz, dual core, up to 2.4 GHz (Optional: Intel® Pentium® Processor N4200)
- Onboard DDR3L Memory, 4GB (Default)/8GB
- eMMC 64GB (Up to 256GB, Optional)
- Wi-Fi 802.11 a/b/g/n/ac, Bluetooth 5.1, LTE (Optional)
- 2MP Front and 8MP Rear Camera
- RS-232/422/485 COM Port + 10/100/1000 Base-T RJ-45
- USB 3.2 Gen 1 x 2 (USB Type-C x 1), USB 2.0 x 2
- 2D Barcode Scanner & Smart Card Reader/HF RFID (NFC) Reader (Optional)
- Up to 3 GNSS, GPS + Galileo (Default), GLONASS, BeiDou (Optional)
- One Hot-swappable Battery + Internal Battery, up to 44W Capacity
- MIL-STD-810G, IP65 Compliant, Drop 122cm
- Function Key: F0, F1, F2, F3, Volume Up/Down, With LED Illumination
- Windows® 10 IoT

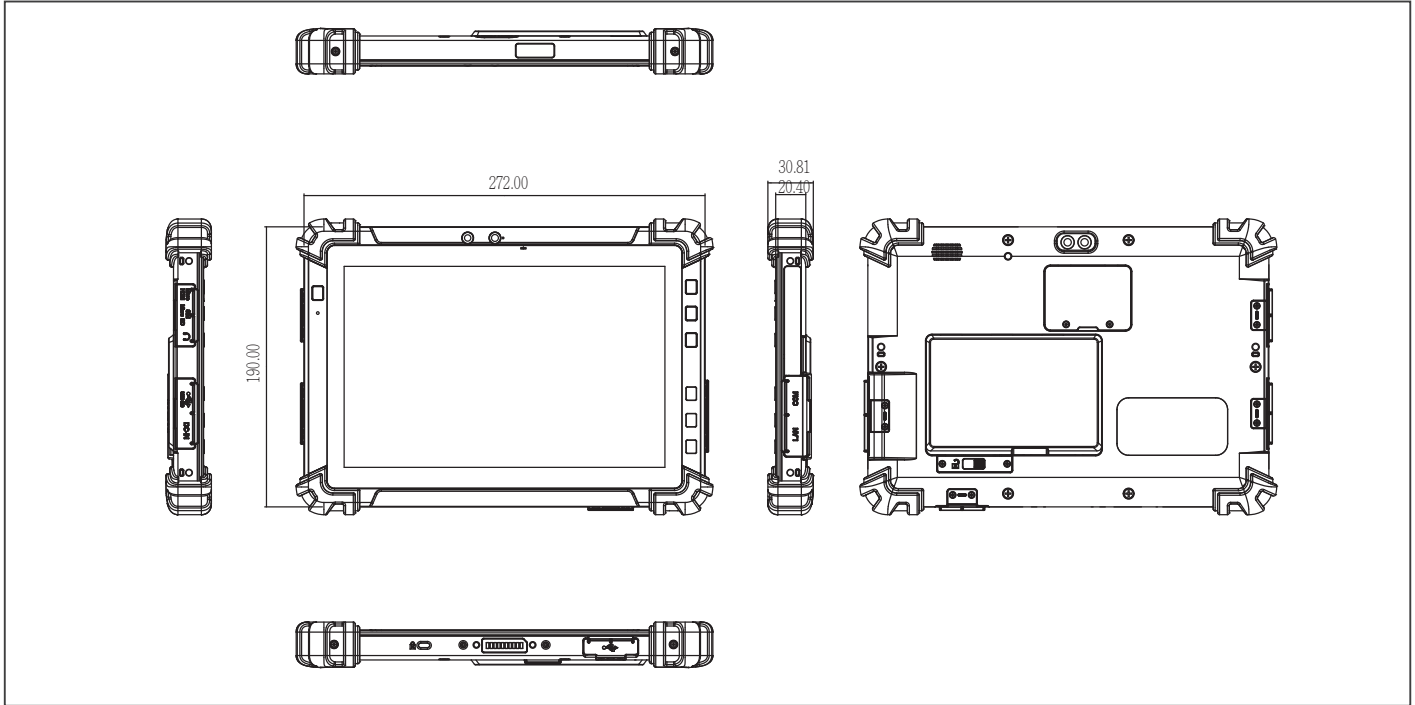


HF RFID (Optional)	ISO 15693 (R/W), ISO 18092 (R/W), ISO 14443-A (R/W), ISO 14443-B (Only Read UID), Depend on card type
Audio	Speaker x 1
Physical Key	F0 or Windows (Windows Start Key), F1 (BCR Trigger Button (When BCR is enabled)), F2 (Screenprint), F3 (Ctrl+Alt+Del as Soft Reboot), Volume Up (Speaker Volume Up), Volume Down (Speaker Volume Down)
Mechanical	
Color	Black & Dark Grey
Dimension (W x H x D)	10.71" x 7.48" x 0.80" (272.0mm x 190.0mm x 20.4mm)
Gross Weight	2.2 lb. (1.0Kg) based on configurations
Environmental	
Operating Temperature	-4°F ~ 122°F (-20°C ~ 50°C)
Storage Temperature	-67°F ~ 158°F (-55°C ~ 70°C)
Humidity	0% ~ 90% relative humidity, non-condensing
Environmental Sealing	IP65
Vibration	MIL-STD-810G-514.6 Procedure I Cat.24, Fig 514.6E-1 & 514.6E-2 (Unit is non-operating) ASTM 4169-99 Truck Assurance Level II, Schedule E (Unit is non-operating)
Drop	MIL-STD-810G-516.6, Procedure IV Drop height: 122 cm Number of Drop: 26 times, for all surfaces, edges and corners Condition: Based on 2" plywood over concrete
Shock	—
ESD	Air charge: +/- 8KV, Contact charge: +/- 4KV
Certifications and Standards	CE EMC, CE RED WiFi 2.4G+5G / LTE, LVD, FCC EMC, FCC RF WiFi 2.4G+5G, IC / UKCA / UL, TELEC WiFi
Power Supply	
AC / DC Adapter	AC 100V ~ 240V, 50Hz ~ 60Hz, Output: 12V/3A/36W
Battery Life	Li-ion Battery 8-hour battery life based on test configurations
Master Battery	Hot-swappable battery: 14.4V, 2270mAh, 32.7W
Slave Battery	7.4V, 1530mAh, 11.3W
Display	
LCD	10.1" TFT-LCD Display
Resolution	1280 x 800
Maximum Color	16.7M
Dot Size	0.1692mm (H) x 0.1692mm (V)
Brightness	300 nits (800 nits, Optional)
Viewing Angle	Horizontal: 170°, Vertical: 170° (Typical)
Touch Screen	
Touch Type	Projected Capacitive Multi-Touch Screen (PCT)
Light Transmission	Min. 85%



## Dimension

Unit: mm



## Packing List

- **RTC-1010**
  - **1255300365**  
AC-To-DC Power Adaptor, 12V, 36W
- \*Power cord must be purchased separately.

## Optional Accessories

- **RDS-411-000**  
Docking Station, W/O Stand
- **RDS-411-001**  
Docking Station, W/ Stand
- **RBC-1200-000**  
4-bay Battery Charger
- **RTC-1010-HS-000**  
Hand Strap
- **RTC-1010-SB-000**  
Shoulder Belt, 2 Points
- **RTC-1200BATO1-000**  
Battery Pack, 14.4V, 2270mAh, 2 pcs/Box
- **RTC-1010-DTDP A-002**  
DC-To-DC Power Adaptor, Flying Wires
- **RTC-1010-DTDP A-001**  
DC-To-DC Power Adaptor, Cigarette Plug
- **170X000799**  
Power Cord for US
- **170X001024**  
Power Cord for EU
- **170203180J**  
Power Cord for UK
- **170X000803**  
Power Cord for Japan

## Ordering Information

Part Number	CPU	OS	LCD Display	Touch Screen	System Memory	Storage	Expansion I/O	Sensor	WiFi/Bluetooth	Navigation	LTE Bands (MHz)	Camera	2D Barcode Scanner	NFC	Battery	Power
RTC-1010-R2004	Intel® Celeron® Processor N3350	Windows 10 IOT	10.1" 300 nits	PCT 10 points	DDR3L 4GB	eMMC 64GB	Micro-HDMI port x 1, SIM card slot x 1, Micro-SD card slot x 1, Audio jack x 1, USB 3.0 x 2 (USB Type-C x 1), USB 2.0 x 2 DC-in jack x 1	G-sensor E-compass Gyro-sensor Light-sensor	802.11 a/b/g/n/ac + BT 5.1	N/A	N/A	Front: 2MP Rear: 8MP w/ Flash	N/A	N/A	32.7W	DC12V
RTC-1010-R2005	Intel® Celeron® Processor N3350	Windows 10 IOT	10.1" 300 nits	PCT 10 points	DDR3L 4GB	eMMC 64GB	Micro-HDMI port x 1, SIM card slot x 1, Micro-SD card slot x 1, Audio jack x 1, USB 3.0 x 2 (USB Type-C x 1), USB 2.0 x 2, DC-in jack x 1, RS-232/422/485 COM Port x 1, 10/100/1000 Base-T RJ45 x 1	G-sensor E-compass Gyro-sensor Light-sensor	802.11 a/b/g/n/ac + BT 5.1	GPS / Galileo / GLONASS	N/A	Front: 2MP Rear: 8MP w/ Flash	N/A	N/A	32.7W + 11.3W	DC12V
RTC-1010-R2001	Intel® Celeron® Processor N3350	Windows 10 IOT	10.1" 300 nits	PCT 10 points	DDR3L 4GB	eMMC 64GB	Micro-HDMI port x 1, SIM card slot x 1, Micro-SD card slot x 1, Audio jack x 1, USB 3.0 x 2 (USB Type-C x 1), USB 2.0 x 2, DC-in jack x 1, RS-232/422/485 COM Port x 1, 10/100/1000 Base-T RJ45 x 1	G-sensor E-compass Gyro-sensor Light-sensor	802.11 a/b/g/n/ac + BT 5.1	GPS / Galileo / GLONASS	N/A	Front: 2MP Rear: 8MP w/ Flash	Yes	Yes	32.7W + 11.3W	DC12V
RTC-1010-R2003	Intel® Pentium® Processor N4200	Windows 10 IOT	10.1" 300 nits	PCT 10 points	DDR3L 4GB	eMMC 64GB	Micro-HDMI port x 1, SIM card slot x 1, Micro-SD card slot x 1, Audio jack x 1, USB 3.0 x 2 (USB Type-C x 1), USB 2.0 x 2, DC-in jack x 1, RS-232/422/485 COM Port x 1, 10/100/1000 Base-T RJ45 x 1	G-sensor E-compass Gyro-sensor Light-sensor	802.11 a/b/g/n/ac + BT 5.1	GPS / Galileo / GLONASS	N/A	Front: 2MP Rear: 8MP w/ Flash	Yes	Yes	32.7W + 11.3W	DC12V
RTC-1010-RH2005	Intel® Celeron® Processor N3350	Windows 10 IOT	10.1" 800 nits	PCT 10 points	DDR3L 4GB	eMMC 64GB	Micro-HDMI port x 1, SIM card slot x 1, Micro-SD card slot x 1, Audio jack x 1, USB 3.0 x 2 (USB Type-C x 1), USB 2.0 x 2, DC-in jack x 1, RS-232/422/485 COM Port x 1, 10/100/1000 Base-T RJ45 x 1	G-sensor E-compass Gyro-sensor Light-sensor	802.11 a/b/g/n/ac + BT 5.1	GPS / Galileo / GLONASS	N/A	Front: 2MP Rear: 8MP w/ Flash	N/A	N/A	32.7W + 11.3W	DC12V
RTC-1010-RH2003	Intel® Pentium® Processor N4200	Windows 10 IOT	10.1" 800 nits	PCT 10 points	DDR3L 4GB	eMMC 64GB	Micro-HDMI port x 1, SIM card slot x 1, Micro-SD card slot x 1, Audio jack x 1, USB 3.0 x 2 (USB Type-C x 1), USB 2.0 x 2, DC-in jack x 1, RS-232/422/485 COM Port x 1, 10/100/1000 Base-T RJ45 x 1	G-sensor E-compass Gyro-sensor Light-sensor	802.11 a/b/g/n/ac + BT 5.1	GPS / Galileo / GLONASS	N/A	Front: 2MP Rear: 8MP w/ Flash	Yes	Yes	32.7W + 11.3W	DC12V

# RTC-1010RK

10.1" Rugged Tablet Featuring Rockchip RK3399 With Android™ 11



## Features

- 10.1" WXGA (1280 x 800) 800-nit/300-nit TFT LCD
- Rockchip RK3399 Processor
- Onboard LPDDR4 Memory, 2GB/4GB (Default)
- eMMC 64GB (Default)/128GB
- Wi-Fi 802.11 a/b/g/n/ac, Bluetooth 5.2, LTE (Optional)
- 8MP Front and 8MP Rear Camera
- RS-232/422/485 COM Port + 10/100/1000 Base-T RJ-45
- USB 3.2 Gen 1 x 2 (USB Type-C x 1), USB 2.0 x 2
- 2D Barcode Scanner (Optional)
- HF RFID (NFC) Reader (Optional)
- GPS + GLONASS (Default), BeiDou (Optional)
- One Hot-swappable Battery + Internal Battery, Up to 44W Capacity
- MIL-STD-810H, IP65 Compliant, Drop 122cm
- Programmable Function Keys
- Android™ 11



HF RFID (Optional)	ISO 15693 (R/W), ISO 18092 (R/W), ISO 14443-A (R/W) ISO 14443-B (Only Read UID), Depend on card type
Audio	Speaker x 1
Physical Key	F0, F1 (BCR Trigger Button (When BCR is enabled), F2 (Screenprint), F3 (Audio On/Off), Volume Up (Speaker Volume Up), Volume Down (Speaker Volume Down)
<b>Mechanical</b>	
Color	Black & Dark Grey
Dimension (W x H x D)	272.0mm x 190.0mm x 20.4mm (10.71" x 7.48" x 0.80")
Gross Weight	2.2 lb (1.0 Kg) based on configurations
<b>Environmental</b>	
Operating Temperature	-20°C ~ 50°C (-4°F ~ 122°F)
Storage Temperature	-30°C ~ 70°C (-22°F ~ 158°F)
Humidity	0% ~ 90% relative humidity, non-condensing
Environmental Sealing	IP65
Vibration	MIL-STD-810H: 2019, 514.8 Procedure I, Table 514.8C-1 Category 4 common carrier 5~500Hz X, Y, Z axes, 1-hour duration for each axis
Drop	MIL-STD-810H: 2019, 516.8 Procedure IV Drop height: 122cm Number of Drop: 26 times, for all surfaces, edges and corners Condition: Based on 2" plywood over concrete
Shock	MIL-STD-810H: 2019, 516.8 Procedure V
ESD	Air charge: +/- 8KV, Contact charge: +/- 4KV
Certifications and Standards	CE EMC, CE RED WiFi 2.4G+5G / LTE, LVD, FCC EMC, FCC RF WiFi 2.4G+5G, UKCA, TELEC WiFi
<b>Power Supply</b>	
AC / DC Adapter	AC 100V ~ 240 V, 50Hz ~ 60Hz, Output: 12V/3A/36W
Battery Life	Li-ion Battery 8-hour battery life based on test configurations
Master Battery	Hot-swappable battery: 14.4V, 2270mAh, 32.7W
Slave Battery	7.4V, 1530mAh, 11.3W
<b>Display</b>	
LCD	10.1" TFT-LCD Display
Resolution	1280 x 800
Maximum Color	16.7M
Dot Size	0.1692mm (H) x 0.1692mm (W)
Brightness	300 nits (800 nits, Optional)
Viewing Angle	Horizontal: 170°, Vertical: 170° (Typical)
<b>Touch Screen</b>	
Touch Type	Projected Capacitive Multi-Touch Screen (PCT)
Light Transmission	Min. 85%

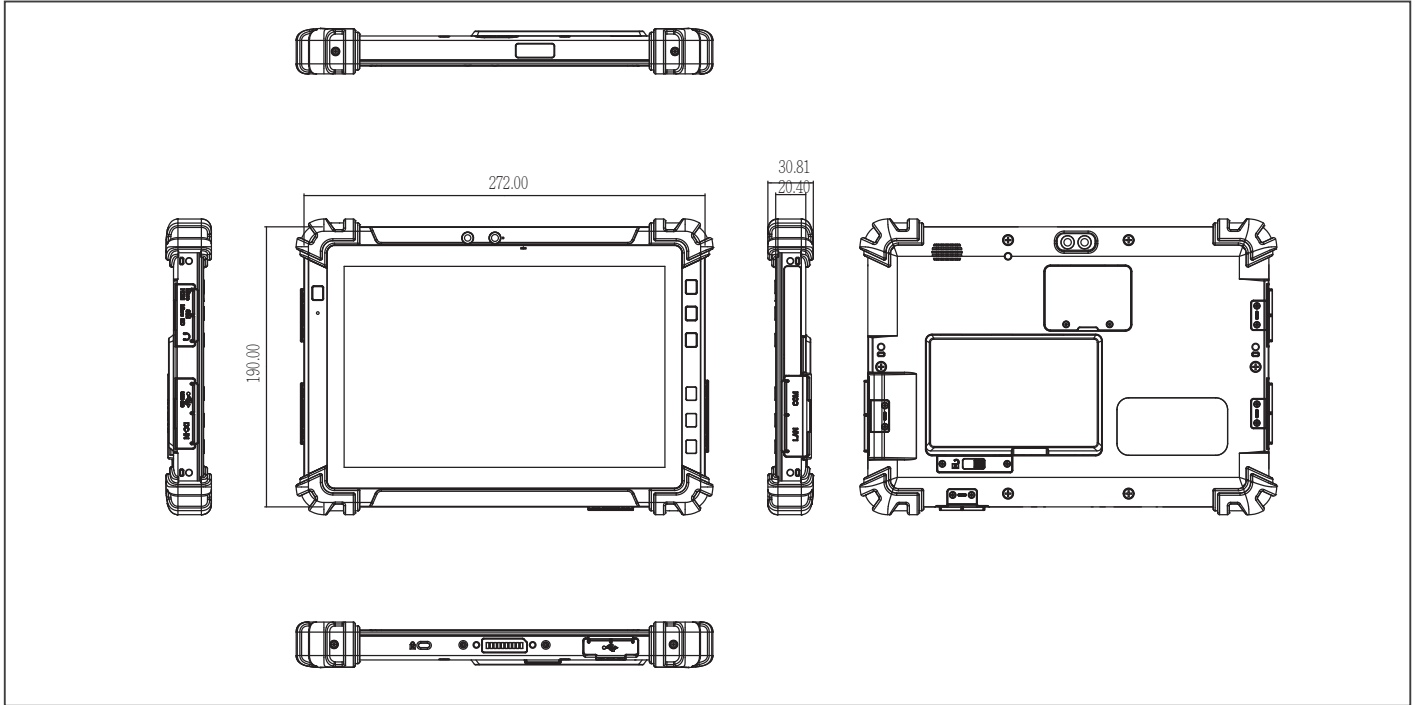
## Specifications

System Architecture	
Processor	Rockchip RK3399 Processor (Quad-Core Arm® Cortex®-A53, 1.6 GHz & Dual-Core Arm® Cortex®-A72, 2.0 GHz)
Operating System	Android™ 11
Memory	Onboard LPDDR4 Memory, 2GB/4GB (Default)
Storage	eMMC 64GB (Default)/128GB
Display	10.1" WXGA (1280 x 800) 800-nit/300-nit TFT LCD with Projected Capacitive Multi-Touch Screen
I/O Port	Micro HDMI Port x 1 SIM Card Slot x 1 MicroSD Card Slot x 1 Audio Jack x 1 (3.5mm) USB 3.2 Gen 1 x 2 (USB Type-C x 1), USB 2.0 x 2 DC-in Jack x 1 RS-232/422/485 COM Port x 1 10/100/1000 Base-T RJ-45 x 1
Communication	Wi-Fi 802.11 a/b/g/n/ac, Bluetooth v5.2 (EDR + BLE)
Navigation	GPS + GLONASS (Default), BeiDou (Optional)
WWAN(optional)	LTE via M.2 slot, B Key 3042 (Optional)
Camera	8MP Front Camera 8MP Rear Camera with flash
Sensor	G-sensor, E-compass, Gyro-sensor, Light-sensor
Expansion Slot	M.2 3042 B-Key (LTE) Docking connector: USB 2.0 x 1



## Dimension

Unit: mm



## Packing List

- **RTC-1010RK**
  - **1255300365**  
AC-To-DC Power Adaptor, 12V, 36W
- \*Power cord must be purchased separately.

## Optional Accessories

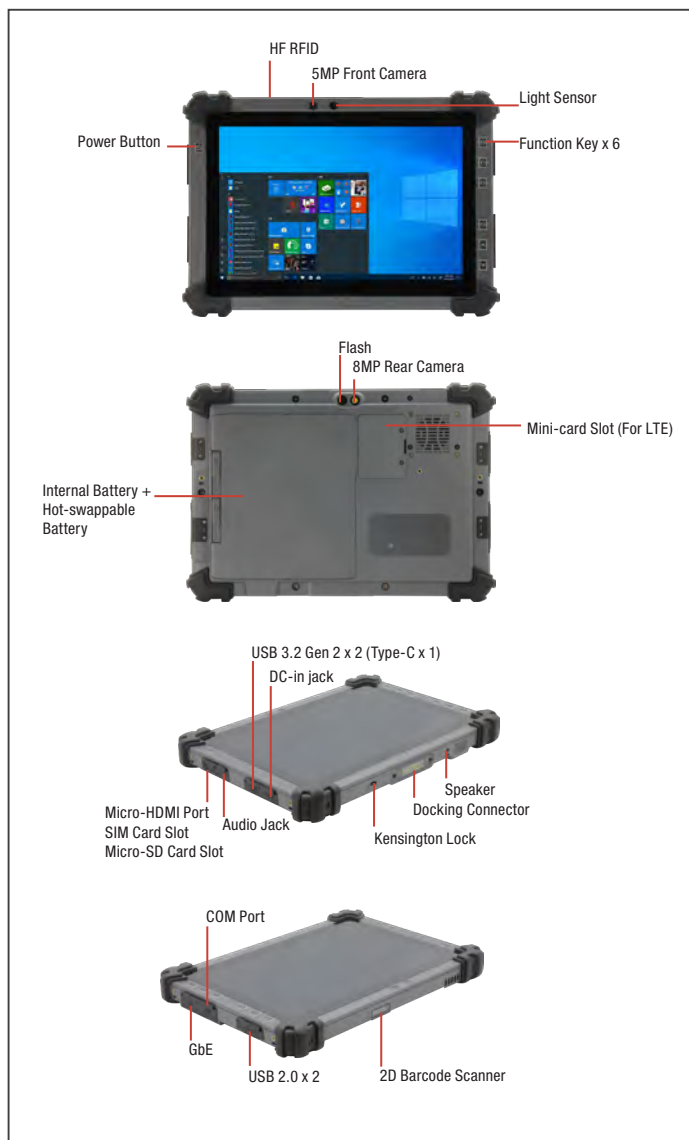
- **RDS-411-000**  
Docking Station, W/O Stand
- **RDS-411-001**  
Docking Station, W/ Stand
- **RBC-1200-000**  
4-bay Battery Charger
- **RTC-1010-HS-000**  
Hand Strap
- **RTC-1010-SB-000**  
Shoulder Belt, 2 Points
- **RTC-1200BAT01-000**  
Battery Pack, 14.4V, 2270mAh , 2 pcs/Box
- **RDS-411-DIC-000**  
DC Input Cable, 2 Meters, For RDS-411
- **RTC-1010-DTDPA-002**  
DC-To-DC Power Adaptor, 12V to 36V Input, 12V/3A Output, One End-DC Jack, One End-Two Flying
- **RTC-1010-DTDPA-001**  
DC-To-DC Power Adaptor, 12V to 36V Input, 12V/3A Output, One End-DC Jack, One End-Cigarette Plug
- **170X000799**  
Power Cord for US
- **170X001024**  
Power Cord for EU
- **170203180J**  
Power Cord for UK
- **170X000803**  
Power Cord for Japan

## Ordering Information

Part Number	CPU	OS	LCD Display	Touch Screen	System Memory	Storage	Expansion I/O	Sensor	WiFi/Bluetooth	Navigation	LTE Bands (MHz)	Camera	Docking Connector	2D Barcode Scanner	NFC	Battery	Power
RTC-1010RK-R0001	RK3399K	Android 11	10.1" 300 nits	PCT 10 points	LPDDR4 4GB	eMMC 64GB	Micro-HDMI port x 1 SIM card slot x 1 Micro-SD card slot x 1 Audio jack x 1 (3.5mm) USB 3.2 Gen 1 x 2 (USB Type-C x 1), USB 2.0 x 2 DC-in jack x 1 RS-232/422/485 COM Port x 1 10/100/1000 Base-T RJ45 x 1	G-sensor E-compass Gyro-sensor Light-sensor	802.11 b/g/n + BT5.0	GPS / Galileo / GLONASS	—	Front: 8MP Rear: 8MP w/ Flash	Yes	—	—	32.7W + 11.3W	DC12V
RTC-1010RK-R0002	RK3399K	Android 11	10.1" 300 nits	PCT 10 points	LPDDR4 4GB	eMMC 64GB	Micro-HDMI port x 1 SIM card slot x 1 Micro-SD card slot x 1 Audio jack x 1 (3.5mm) USB 3.2 Gen 1 x 2 (USB Type-C x 1), USB 2.0 x 2 DC-in jack x 1 RS-232/422/485 COM Port x 1 10/100/1000 Base-T RJ45 x 1	G-sensor E-compass Gyro-sensor Light-sensor	802.11 b/g/n + BT5.0	GPS / Galileo / GLONASS	—	Front: 8MP Rear: 8MP w/ Flash	Yes	Yes	Yes	32.7W + 11.3W	DC12V
RTC-1010RK-RH0001	RK3399K	Android 11	10.1" 800 nits	PCT 10 points	LPDDR4 4GB	eMMC 64GB	Micro-HDMI port x 1 SIM card slot x 1 Micro-SD card slot x 1 Audio jack x 1 (3.5mm) USB 3.2 Gen 1 x 2 (USB Type-C x 1), USB 2.0 x 2 DC-in jack x 1 RS-232/422/485 COM Port x 1 10/100/1000 Base-T RJ45 x 1	G-sensor E-compass Gyro-sensor Light-sensor	802.11 b/g/n + BT5.0	GPS / Galileo / GLONASS	—	Front: 8MP Rear: 8MP w/ Flash	Yes	—	—	32.7W + 11.3W	DC12V
RTC-1010RK-RH0002	RK3399K	Android 11	10.1" 800 nits	PCT 10 points	LPDDR4 4GB	eMMC 64GB	Micro-HDMI port x 1 SIM card slot x 1 Micro-SD card slot x 1 Audio jack x 1 (3.5mm) USB 3.2 Gen 1 x 2 (USB Type-C x 1), USB 2.0 x 2 DC-in jack x 1 RS-232/422/485 COM Port x 1	G-sensor E-compass Gyro-sensor Light-sensor	802.11 b/g/n + BT5.0	GPS / Galileo / GLONASS	—	Front: 8MP Rear: 8MP w/ Flash	Yes	Yes	Yes	32.7W + 11.3W	DC12V

# RTC-1020

10.1" Rugged Tablet Featuring 11th Gen Intel® Core™/Celeron® Processors



## Specifications

System Architecture	
Processor	11th Gen Intel® Core™/Celeron® Processor SoC Intel® Core™ i5-1145G7E Intel® Core™ i3-1115G4E Intel® Celeron® 6305E
Operating System	Windows® 10 IOT Enterprise SAC (Optional) / Windows® 11 IOT Enterprise GAC
Memory	Onboard LPDDR4X, 8GB (Default)/16GB/32GB
Storage	M.2 SSD, Up to 1TB (Default: 64GB)
Display	10.1" FHD (1920 x 1200) 450 nit/800 nit TFT LCD with Projected Capacitive Multi Touch Screen
I/O Port	Micro-HDMI port x 1, SIM card slot x 1, Micro-SD card slot x 1, Audio jack x 1 (3.5mm), USB 3.2 Gen 2 x 2 (Type-C x 1, Type-A x 1), USB 2.0 x 2, DC-in Jack x 1, RS-232/422/485 COM port x 1, 10/100/1000 Base-T RJ45 x 1
Communication	Wi-Fi 802.11 a/b/g/n/ac Bluetooth v5.1 (EDR + BLE) Intel AC9260
Navigation	Up to 3 GNSS, GPS + Galileo (Default), GLONASS, BeiDou (Optional)
WWAN(optional)	LTE via M.2 slot (Optional)
Camera	5MP front camera, 8MP rear camera with flash
Sensor	G-sensor, E-compass, Gyro-sensor, Light-sensor
Expansion Slot	M.2 M-Key for SSD (PCIe [x4]/ SATA 6Gb/s) M.2 E-Key for WiFi/BT (PCIe [x1]/USB 2.0) M.2 B-Key for LTE (USB 2.0) Docking Connector: USB 3.2 Gen 2 x 1

## Features

- 10.1" FHD (1920 x 1200) 450-nit/800-nit TFT LCD
- 11th Gen Intel® Core™/Celeron® Processors
- Onboard LPDDR4X, 8GB (Default)/16GB/32GB
- M.2 SSD, 64GB (Default), Up to 1TB
- WiFi 802.11 a/b/g/n/ac, Bluetooth 5.1, LTE (Optional)
- 5MP Front and 8MP Rear Camera
- RS-232/422/485 + 10/100/1000 Base-T RJ45
- USB 3.2 Gen 2 x 2 (USB Type-C x 1), USB 2.0 x 2
- 2D Barcode Scanner (Optional)
- HF RFID (NFC) Reader (Optional)
- Up to 3 GNSS: GPS + Galileo (Default), GLONASS, BeiDou (Optional)
- Hot-Swappable Battery, 14.4V/ 2270mAh, 32.7W x 2 (51.1W x 2, Optional)
- MIL-STD-810H, IP65 Compliant, Drop 122cm
- Function Key: F0, F1, F2, F3, Volume Up/Down, with LED illumination
- Windows® 10 IoT (Optional)/ Windows® 11 IoT

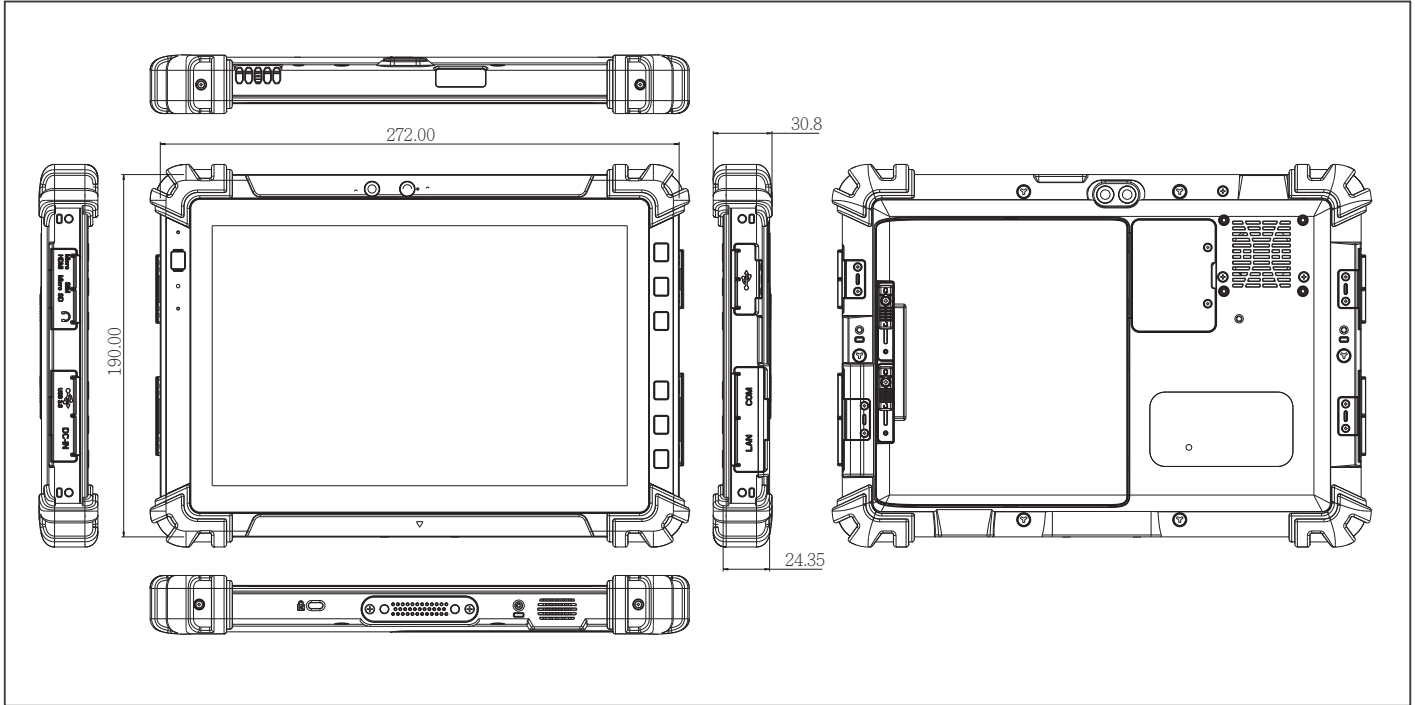


HF RFID (Optional)	ISO 15693 (R/W), ISO 18092 (R/W), ISO 14443-A (R/W), ISO 14443-B (Only Read UID), Depend on card type
Audio	Speaker x 1
Physical Key	F0 or Windows (Windows Start Key), F1 (BCR Trigger Button (When BCR is enabled)), F2 (Screenprint), F3 (Ctrl+Alt+Del), Volume Up (Speaker Volume Up), Volume Down (Speaker Volume Down)
Mechanical	
Color	Black
Dimension (W x H x D)	10.71" x 7.48" x 0.94" (272.0mm x 190.0mm x 24.35mm)
Gross Weight	3.3 lb. (1.5Kg) based on configurations
Environmental	
Operating Temperature	-4°F ~ 122°F (-20°C ~ 50°C) Charging Temperature 50°F ~ 113°F (10°C ~ 45°C)
Storage Temperature	-22°F ~ 158°F (-30°C ~ 70°C)
Humidity	0% ~ 90% relative humidity, non-condensing
Environmental Sealing	IP65
Vibration	MIL-STD-810H: 2019, 514.8 Procedure I, Table 514.8C-1 Category 4 common carrier
Drop	MIL-STD-810H: 2019, 516.8 Procedure I Drop height: 122cm Number of Drop: 26 times, for all surfaces, edges and corners Condition: Based on 2" plywood over concrete
Shock	MIL-STD-810H: 2019, 516.8 Procedure I
ESD	Air charge: +/- 8KV, Contact charge: +/- 4KV
Certifications and Standards	CE EMC, CE RED WiFi 2.4G+5G / LTE; LVD; FCC EMC, FCC RF WiFi 2.4G+5G; UKCA; TELEC WiFi
Power Supply	
AC / DC Adapter	AC 100 ~ 240 V, 50 ~ 60 Hz, Output: 19V/ 3.42A/ 65W
Battery Life	Li-ion Battery 6-hour battery life based on test configurations
Master Battery	Hot-swappable battery: 14.4V, 2270mAh, 32.7W 14.8V, 3450mAh, 51.1W (Optional)
Slave Battery	Hot-swappable battery: 14.4V, 2270mAh, 32.7W 14.8V, 3450mAh, 51.1W (Optional)
Display	
LCD	10.1" TFT-LCD Display
Resolution	1920 x 1200
Maximum Color	16.7M
Dot Size	—
Brightness	450 nits (800 nits, Optional)
Viewing Angle	Horizontal: 170° (Typical), Vertical: 170° (Typical)
Touch Screen	
Touch Type	Projected Capacitive Multi-Touch Screen (PCT)
Light Transmission	Min. 85%



## Dimension

Unit: mm



## Packing List

- RTC-1020
  - 125530065A  
AC-To-DC Power Adaptor, 19V, 65W
- \*Power cord must be purchased separately.

## Optional Accessories

- RDS-1020-000  
Docking Station, W/O Stand
- RDS-1020-001  
Docking Station, W/ Stand
- RBC-1200-000  
4-bay Battery Charger, for 32.7W battery pack
- RBC-1020-000  
4-bay Battery Charger, for 51.1W battery pack
- RTC-1010-HS-000  
Hand Strap
- RTC-1010-SB-000  
Shoulder Belt, 2 Points
- RTC-1200BAT01-000  
Battery Pack, 14.4V, 2,270mAh, 2 pcs/Box
- RTC-1020-BAT-000  
Battery Pack, 14.8V, 3,450mAh, 2 pcs/Box
- RTC-1200-DTDP-A-000  
DC-To-DC Power Adaptor, Flying Wires
- RTC-1200-DTDP-A-001  
DC-To-DC Power Adaptor, Cigarette Plug
- 170X000674  
Power Cord for US
- 170X000675  
Power Cord for EU
- 170X000902  
Power Cord for UK
- 170X000901  
Power Cord for Japan
- RTC-1010-SBG-000  
Shoulder Bag

## Ordering Information

Part Number	CPU	OS	LCD Display	Touch Screen	System Memory	Storage	Expansion I/O	Sensor	WiFi/Bluetooth	Navigation	LTE Bands (MHz)	Camera	2D Barcode Scanner	NFC	Battery	Power
RTC-1020-R0001	Intel® Celeron® 6305E	Windows 11 IOT	10.1" 450 nits	PCT 10 points	Onboard LPDDR4X 8GB	M.2 64GB	Micro-HDMI port x 1, SIM card slot x 1, Micro-SD card slot x 1, USB 3.2 Gen 1 x 2 (USB Type-C x 1), USB 2.0 x 2, DC-in jack x 1, RS-232/422/485 COM Port x 1, 10/100/1000 Base-T RJ45 x 1	G-sensor E-compass Gyro-sensor Light-sensor	WiFi 802.11 a/b/g/n/ac + BT5.1	GPS / Galileo / GLONASS	—	Front: 5MP Rear: 8MP w/ Flash	—	—	32.7W + 32.7W	DC19V
RTC-1020-RH1001	Intel® Celeron® 6305E	Windows 11 IOT	10.1" 850 nits	PCT 10 points	Onboard LPDDR4X 8GB	M.2 64GB	Micro-HDMI port x 1, SIM card slot x 1, Micro-SD card slot x 1, USB 3.2 Gen 1 x 2 (USB Type-C x 1), USB 2.0 x 2, DC-in jack x 1, RS-232/422/485 COM Port x 1, 10/100/1000 Base-T RJ45 x 1	G-sensor E-compass Gyro-sensor Light-sensor	WiFi 802.11 a/b/g/n/ac + BT5.1	GPS / Galileo / GLONASS	—	Front: 5MP Rear: 8MP w/ Flash	—	—	32.7W + 32.7W	DC19V
RTC-1020-RH1002	Intel® Core™ i3-1115G4E	Windows 11 IOT	10.1" 850 nits	PCT 10 points	Onboard LPDDR4X 8GB	M.2 64GB	Micro-HDMI port x 1, SIM card slot x 1, Micro-SD card slot x 1, USB 3.2 Gen 1 x 2 (USB Type-C x 1), USB 2.0 x 2, DC-in jack x 1, RS-232/422/485 COM Port x 1, 10/100/1000 Base-T RJ45 x 1	G-sensor E-compass Gyro-sensor Light-sensor	WiFi 802.11 a/b/g/n/ac + BT5.1	GPS / Galileo / GLONASS	—	Front: 5MP Rear: 8MP w/ Flash	—	Yes	32.7W + 32.7W	DC19V
RTC-1020-RH1003	Intel® Core™ i3-1115G4E	Windows 11 IOT	10.1" 850 nits	PCT 10 points	Onboard LPDDR4X 8GB	M.2 64GB	Micro-HDMI port x 1, SIM card slot x 1, Micro-SD card slot x 1, USB 3.2 Gen 1 x 2 (USB Type-C x 1), USB 2.0 x 2, DC-in jack x 1, RS-232/422/485 COM Port x 1, 10/100/1000 Base-T RJ45 x 1	G-sensor E-compass Gyro-sensor Light-sensor	WiFi 802.11 a/b/g/n/ac + BT5.1	GPS / Galileo / GLONASS	—	Front: 5MP Rear: 8MP w/ Flash	Yes	Yes	32.7W + 32.7W	DC19V
RTC-1020-RH1004	Intel® Core™ i5-1145G7E	Windows 11 IOT	10.1" 850 nits	PCT 10 points	Onboard LPDDR4X 8GB	M.2 64GB	Micro-HDMI port x 1, SIM card slot x 1, Micro-SD card slot x 1, USB 3.2 Gen 1 x 2 (USB Type-C x 1), USB 2.0 x 2, DC-in jack x 1, RS-232/422/485 COM Port x 1	G-sensor E-compass Gyro-sensor Light-sensor	WiFi 802.11 a/b/g/n/ac + BT5.1	GPS / Galileo / GLONASS	—	Front: 5MP Rear: 8MP w/ Flash	—	Yes	32.7W + 32.7W	DC19V

# RTC-1030 PRELIMINARY

10.1" Rugged Tablet Featuring Intel® Processor N-series/Atom® Processors x7000E



## Features

- 10.1" FHD (1920 x 1200) 450 / 800-nit TFT LCD
- Intel® Processor N-series/Atom® Processors x7000E
- Wi-Fi 6E (802.11ax), Bluetooth 5.3, LTE (Optional)
- 5MP Front and 13MP Rear Camera
- Up to 3 GNSS, GPS + Galileo (Default), GLONASS, BeiDou (Optional)
- Hot-swappable Battery, 14.4V/ 2270mAh, 32.7W x 2
- MIL-STD-810H, IP65 Compliant
- Programmable Function Keys



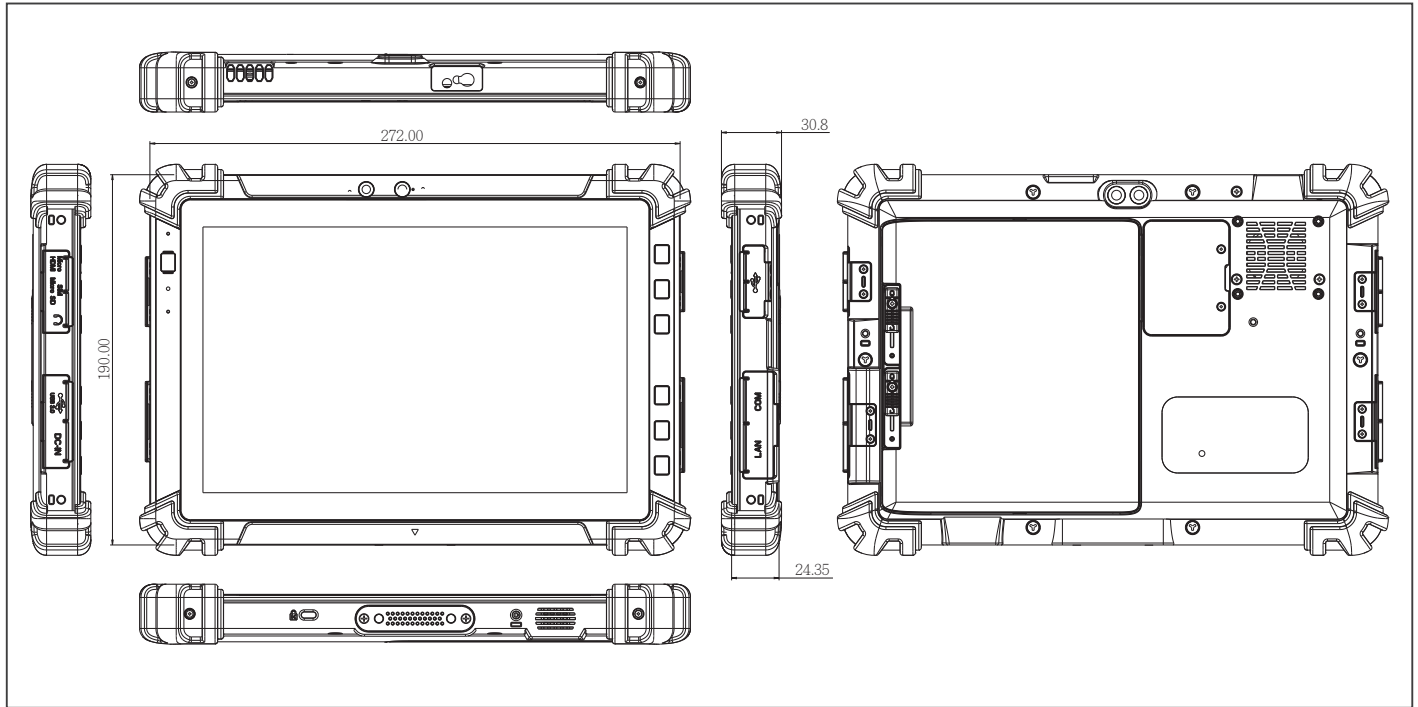
Sensor	G-sensor E-compass Gyro-sensor Light-sensor
Expansion Slot	M.2 slot x 3 (One for SSD, One for WiFi module, One for LTE module) Docking connector x 1: USB 3.2 Gen 1 x 1
Barcode Scanner (Optional)	2D Barcode scanner, Honeywell N4680 (Optional)
HF RFID (Optional)	ISO 15693 (R/W) ISO 18092 (R/W) ISO 14443-A (R/W) ISO 14443-B (Only Read UID) Depend on card type
Audio	Speaker x 1
Physical Key	F0 or Windows (Windows Start Key), F1 (BCR Trigger Button (When BCR is enabled)), F2 (Screenprint), F3 (Ctrl+Alt+Del), Volume Up (Speaker Volume Up), Volume Down (Speaker Volume Down)
<b>Mechanical</b>	
Color	Black
Dimension (W x H x D)	272.0 x 190.0 x 24.0 mm (10.71" x 7.48" x 0.94")
Gross Weight	3.3 lbs (1.5 Kg) based on configurations
<b>Environmental</b>	
Operating Temperature	-20°C ~ 50°C (-4°F ~ 122°F)
Storage Temperature	-30°C ~ 70°C (-22°F ~ 158°F)
Humidity	0% ~ 90% relative humidity, non-condensing
Environmental Sealing	IP65
Vibration	MIL-STD-810H: 2019, Table 514.8C-1 Category 4 - Common carrier
Drop	MIL-STD-810H: 2019, Figure 514.8E-1 Category 24 - General minimum integrity exposure Drop height: 122 cm Number of Drop: 26 times, for all surfaces, edges and corners Condition: Based on 2" plywood over concrete
Shock	MIL-STD-810H: 2019, Table 516.8-IV Procedure I
ESD	Air charge: +/- 8KV, Contact charge: +/- 4KV
Certifications and Standards	CE EMC / CE RED WiFi 2.4G/5G / CE RED LTE FCC EMC / FCC RF WiFi 2.4G/5G LVD / UKCA TELEC WiFi / LTE MIL-STD-461G: CE101 / CE102 / CS118 / RE101 / RE102
<b>Power Supply</b>	
AC / DC Adapter	DC Jack: AC 100 ~ 240 V, 50 ~ 60 Hz, Output: 19V/ 3.42A/ 65W USB Type C charger (Optional)
Battery Life	Li-ion Battery 8-hour battery life based on test configurations
Master Battery	Hot-swappable battery: 14.4V, 2270mAh, 32.7W 14.8V, 3450mAh, 51.1W (Optional)
Slave Battery	Hot-swappable battery: 14.4V, 2270mAh, 32.7W 14.8V, 3450mAh, 51.1W (Optional)
<b>Display</b>	
LCD	10.1" TFT-LCD Display
Resolution	1920 x 1200
Maximum Color	16.7M
Dot Size	0.1129 (H) x 0.1129 (V) mm
Brightness	450 nits (800 nits, Optional)
Viewing Angle	Horizontal: 170°, Vertical: 170° (Typical)
<b>Touch Screen</b>	
Touch Type	Projected Capacitive Multi-Touch Screen (PCT)
Light Transmission	Min. 85%

## Specifications

System Architecture	
Processor	Intel® Processor N50, 3.4GHz Intel Atom® Processor x7425E, 3.4GHz
Operating System	Windows® 11 IoT Enterprise GAC (Default)
Memory	Onboard LPDDR5, 8GB (Default) / 16GB
Storage	M.2 SSD, 128GB (Default) / 256GB / 512GB / 1TB
Display	10.1" WUXGA (1920x1200) 800-nit / 450-nit TFT LCD With Projected Capacitive Multi-Touch Screen
I/O Port	USB Type-C display port x 1 SIM card slot x 1 Micro-SD card slot x 1 Audio jack x 1 (3.5mm) USB 3.2 Gen 1 x 2 (USB Type-C x 1 with Display function), USB 2.0 x 2 DC-in Jack x 1 USB Type-C charger (Optional, With USB Type-C function) RS-232/422/485 COM Port x 1 10/100/1000 Base-T RJ45 x 1
Communication	Wi-Fi 802.11 a/b/g/n/ac/ax Bluetooth v5.3 (EDR + BLE)
Navigation	Up to 3 GNSS, GPS + Galileo (Default), GLONASS, BeiDou (Optional)
WWAN(optional)	LTE via M.2 slot (Optional)
Camera	5MP front camera 13MP rear camera with flash

## Dimension

Unit: mm



## Packing List

- **RTC-1030**
  - **125530065A**  
AC-To-DC Power Adaptor, 19V, 65W
  - **Power Cord (By Order)**
  - **Type C Power Adaptor (Optional)**
- \*Power cord must be purchased separately.

## Optional Accessories

- **RDS-1020-000**  
Docking Station, W/O Stand
- **RDS-1020-001**  
Docking Station, W/ Stand
- **RBC-1200-000**  
4-bay Battery Charger, for 32.7W battery pack
- **RBC-1020-000**  
4-bay Battery Charger, for 51.1W battery pack
- **RTC-1010-HS-000**  
Hand Strap
- **RTC-1010-SB-000**  
Shoulder Belt, 2 Points
- **RTC-1200BAT01-000**  
Battery Pack, 14.4V, 2,270mAh, 2 pcs/Box
- **RTC-1020-BAT-000**  
Battery Pack, 14.8V, 3,450mAh, 2 pcs/Box
- **170203J000**  
DC Input Cable, 2 Meters, For RDS-411
- **1259X00004**  
DC-To-DC Power Adaptor, Vin=11-16V, 22-32V, Output 19V/3.42A (65W), One End-DC Jack, One End-Two Flying Wires
- **1255900901**  
DC-To-DC Power Adaptor, Vin=11-16V, 22-32V, Output 19V/4.73A (90W), One End-DC Jack, One End-Cigarette Plug

## Ordering Information

- TBD

# RTC-1200

11.6" Rugged Tablet Features Intel Kaby Lake Up To 3.9 GHz Dual Core Processor with Windows® 10



## Features

- 11.6" FHD (1920 x 1080) 500-nit / 850-nit TFT LCD
- Intel® Core™ i 7100U / 7300U / Celeron® 3965U Up to 3.9 GHz
- One DDR4 SODIMM Socket, Up to 16GB
- One M.2 Slot for SSD, 64GB (Default) / 128GB / 256GB
- WiFi 802.11b/g/n, Bluetooth 5.1, LTE (Optional)
- 2MP Front and 8MP Rear Camera
- RS-232/422/485 COM Port + 10/100/1000 Base-T RJ45
- USB 3.2 Gen 1 x 2 (USB Type-C x 1), USB 2.0 x 2
- 2D Barcode Scanner / HF RFID (NFC) Reader (Optional)
- Hot-swappable Battery, 14.4V/ 2270mAh, 32.7W x 2
- MIL-STD-810G, IP65 Compliant, Drop 122cm
- Function Key: Windows, Volume Up/Down, F1, F2, F3, With LED Illumination
- Docking Connector with GNSS / WWAN Antenna Pass-through Connector
- Windows® 10 IOT



Barcode Scanner (Optional)	2D Barcode scanner, OPTICON MDI-4100-USB (Optional)
HF RFID (Optional)	ISO 15693 (R/W), ISO 18092 (R/W), ISO 14443-A (R/W), ISO 14443-B (Only Read UID), Depend on card type
Audio	Speaker x 1
Physical Key	F0 or Windows (Windows Start Key), F1 (Ctrl+Atl+Del & BCR Trigger Button (When BCR is enabled)), F2 (Touch Mode Switch), F3 (Screenprint), Volume Up (Speaker Volume Up), Volume Down (Speaker Volume Down)
<b>Mechanical</b>	
Color	Gray & Black
Dimension (W x H x D)	12.36" x 7.87" x 0.96" (310.4 mm x 200.0 mm x 24.5 mm)
Gross Weight	3.3 lbs (1.5 Kg)
<b>Environmental</b>	
Operating Temperature	-4°F ~ 140°F (-20°C ~ 60°C) Charging Temperature 50°F ~ 113°F (10°C ~ 45°C)
Storage Temperature	-22°F ~ 158°F (-30°C ~ 70°C)
Humidity	5% ~ 90% relative humidity, non-condensing
Environmental Sealing	IP65
Vibration	MIL-STD-810G-514.6 Procedure I Cat.24, Fig 514.6E-1 & 514.6E-2
Drop	MIL-STD-810G Method 516.6 Procedure IV -Height of Drop: 122cm (48 inch; 4ft) -Number of Drop: 26 times, for all surfaces, edges and corners Condition: Based on 2" plywood over concrete
Shock	—
ESD	Air charge: +/- 8KV, Contact charge: +/- 4KV
Certifications and Standards	CE/LVD: EN60950-1, CE EMC, CE RED WiFi 2.4G+5G / LTE; LVD / CB; FCC EMC, FCC RF WiFi 2.4G; IC / UKCA / UL
<b>Power Supply</b>	
AC / DC Adapter	AC 100 ~ 240 V, 50 ~ 60 Hz, Output: 19V/ 3.42A/ 65W
Battery Life	Li-ion Battery 6-hour battery life based on test configurations
Master Battery	Hot-swappable battery: 14.4V, 2270mAh, 32.7W
Slave Battery	Hot-swappable battery: 14.4V, 2270mAh, 32.7W
<b>Display</b>	
LCD	11.6" TFT-LCD Display
Resolution	1920 x 1080
Maximum Color	16.7M
Dot Size	0.117 (H) x 0.117 (V) mm
Brightness	500 nits (850 nits, Optional)
Viewing Angle	Horizontal: 178°, Vertical: 178° (Typical)
<b>Touch Screen</b>	
Touch Type	Projected Capacitive Multi-Touch Screen (PCT) Gloves / Finger mode Switchable by F2
Light Transmission	Min. 85% (ASTM D1003; Wavelength = 550 nm)

## Specifications

System Architecture	
Processor	Intel® Core™ i 7100U / 7300U Dual Core up to 3.9GHz Intel® Celeron® 3965U Dual Core 2.2GHz Processor
Operating System	Windows® 10 IoT Enterprise 64bit (Default)
Memory	DDR4 SO-DIMM Socket x 1, up to 16GB
Storage	M.2 (NGFF) SSD, 64GB (Default) / 128GB / 256GB
Display	11.6" FHD (1920x1080) 500-nit / 850-nit TFT-LCD With Projected Capacitive Multi-Touch Screen
I/O Port	HDMI port x 1, SIM card slot x 1, Micro-SD card slot x 1 Audio jack x 1 (3.5mm), USB 3.2 Gen 1 x 2 (USB Type-C x 1), USB 2.0 x 2, DC-in Jack x 1, RS-232/422/485 COM Port x 1 10/100/1000 Base-T RJ45 x 1
Communication	Wi-Fi 802.11 b/g/n, Bluetooth v5.1
Navigation	GPS, GLONASS
WWAN(optional)	LTE via mini-card slot (Optional)
Camera	2MP front camera, 8MP auto-focus rear camera with flash
Sensor	G-sensor, E-compass, Gyro-sensor, Light-sensor Mini-card slot x 1 (For LTE module) Docking connector x 1



ES France - Mobilité & Systèmes Embarqués  
127 rue de Buzenval BP 26 - 92380 Garches



Tél. 01 47 95 99 80

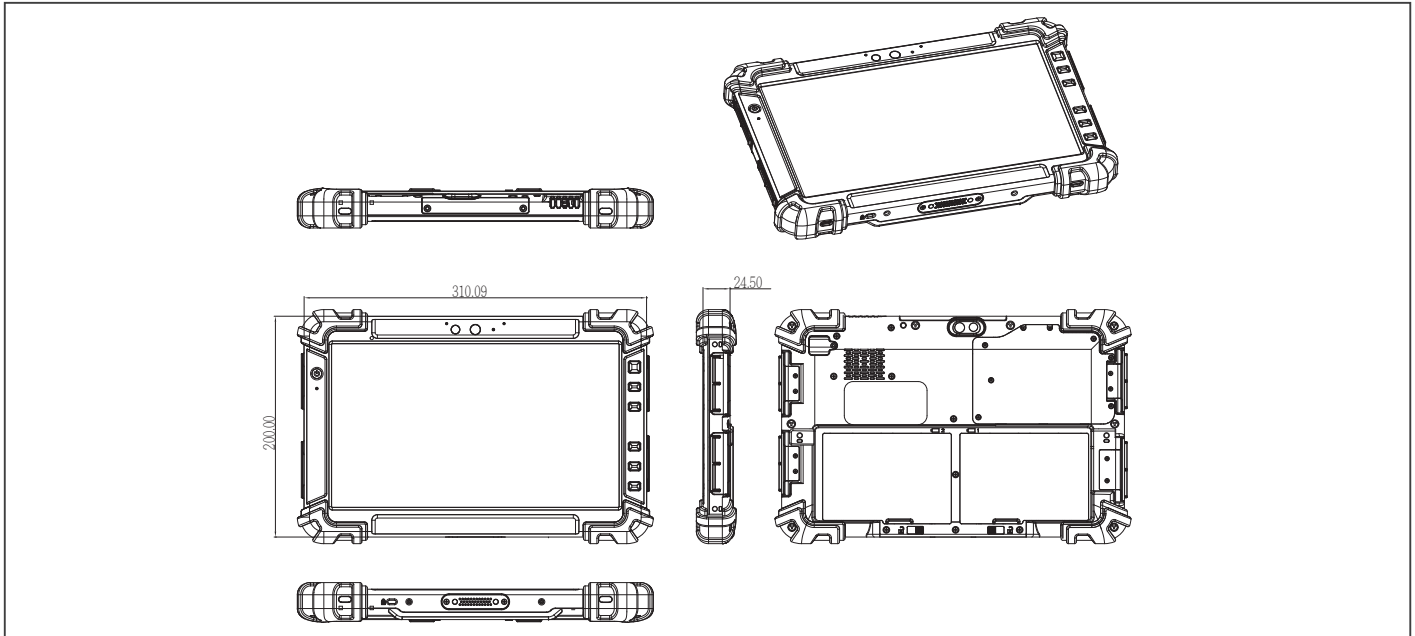


e-mail : mse@es-france.com  
Site Web : www.es-france.com



## Dimension

Unit: mm



## Packing List

- RTC-1200
- 125530065A  
AC-To-DC Power Adaptor, 19V, 65W

\*Power cord must be purchased separately.

## Optional Accessories

- RDS-241V-0000  
Docking Station, W/ Stand
- RDS-241V-0001  
Docking Station, W/O Stand
- RBC-1200-000  
4-bay Battery Charger
- RTC-1200HSP01-000  
Rotating Hand-Strap
- RTC-1200BLT01-000  
Shoulder Belt
- RTC-1200BAT01-000  
Battery Pack, 14.4V, 2270mAh, 2 pcs/Box
- RTC-1200BKT01-000  
Mounting Bracket (VESA/RAM)
- RTC-1200-DTDPA-000  
DC-To-DC Power Adaptor, Flying Wires
- 170X000674  
Power Cord for US
- 170X000675  
Power Cord for EU
- 170X000902  
Power Cord for UK
- 170X000901  
Power Cord for Japan

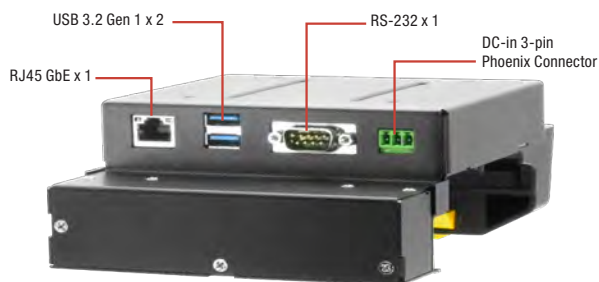
\* Small quantity MOQ may apply for optional/customized services.

## Ordering Information

Part Number	CPU	OS	LCD Display	Touch Screen	System Memory	Storage	Expansion I/O	Sensor	WiFi/Bluetooth	Navigation	LTE Bands (MHz)	Camera	2D Barcode Scanner	NFC	Battery	Power
RTC-1200-RH1011	Celeron 3965U	Windows 10 IOT	11.6" 850 nits	PCT 10 points	SODIMM DDR4 4GB	M.2 64GB	HDMI port x 1 SIM card slot x 1 Micro-SD card slot x 1 Audio jack x 1 USB 3.0 x 1, USB 2.0 x 2 DC-in jack x 1 RS-232/422/485 COM Port x 1 10/100/1000 Base-T RJ45 x 1	G-sensor E-compass Gyro-sensor Light-sensor	802.11 b/g/n + BT5.1	GPS / GLONASS	—	Front: 2MP Rear: 8MP w/ Flash	—	—	32.7W + 32.7W	DC19V
RTC-1200-RH1012	i3-7100U	Windows 10 IOT	11.6" 850 nits	PCT 10 points	SODIMM DDR4 4GB	M.2 64GB	HDMI port x 1 SIM card slot x 1 Micro-SD card slot x 1 Audio jack x 1 USB 3.0 x 1, USB 2.0 x 2 DC-in jack x 1 RS-232/422/485 COM Port x 1 10/100/1000 Base-T RJ45 x 1	G-sensor E-compass Gyro-sensor Light-sensor	802.11 b/g/n + BT5.1	GPS / GLONASS	—	Front: 2MP Rear: 8MP w/ Flash	—	Yes	32.7W + 32.7W	DC19V
RTC-1200-RH1013	i3-7100U	Windows 10 IOT	11.6" 850 nits	PCT 10 points	SODIMM DDR4 4GB	M.2 64GB	HDMI port x 1 SIM card slot x 1 Micro-SD card slot x 1 Audio jack x 1 USB 3.0 x 1, USB 2.0 x 2 DC-in jack x 1 RS-232/422/485 COM Port x 1 10/100/1000 Base-T RJ45 x 1	G-sensor E-compass Gyro-sensor Light-sensor	802.11 b/g/n + BT5.1	GPS / GLONASS	—	Front: 2MP Rear: 8MP w/ Flash	Yes	Yes	32.7W + 32.7W	DC19V
RTC-1200-RH1014	i5-7300U	Windows 10 IOT	11.6" 850 nits	PCT 10 points	SODIMM DDR4 4GB	M.2 64GB	HDMI port x 1 SIM card slot x 1 Micro-SD card slot x 1 Audio jack x 1 USB 3.0 x 1, USB 2.0 x 2 DC-in jack x 1 RS-232/422/485 COM Port x 1 10/100/1000 Base-T RJ45 x 1	G-sensor E-compass Gyro-sensor Light-sensor	802.11 b/g/n + BT5.1	GPS / GLONASS	—	Front: 2MP Rear: 8MP w/ Flash	—	Yes	32.7W + 32.7W	DC19V

# RDS-0710

Rugged Docking Station for RTC-710RK, RTC-710AP



## Features

- Apply on RTC-710RK, RTC-710AP
- Front-facing I/Os: USB 2.0 x 2
- Downward-facing I/Os for Easy Cable Management: USB 3.2 Gen 1 x 2, RS-232 x 1, RJ45 GbE x 1, DC-in Phoenix Connector x 1
- Wide Voltage Input: 9VDC ~ 36VDC
- Power Adaptor: AC Power Adaptor (Default)
- Anti-theft Lock with Key & VESA Mount Support (75x75)



## Specifications

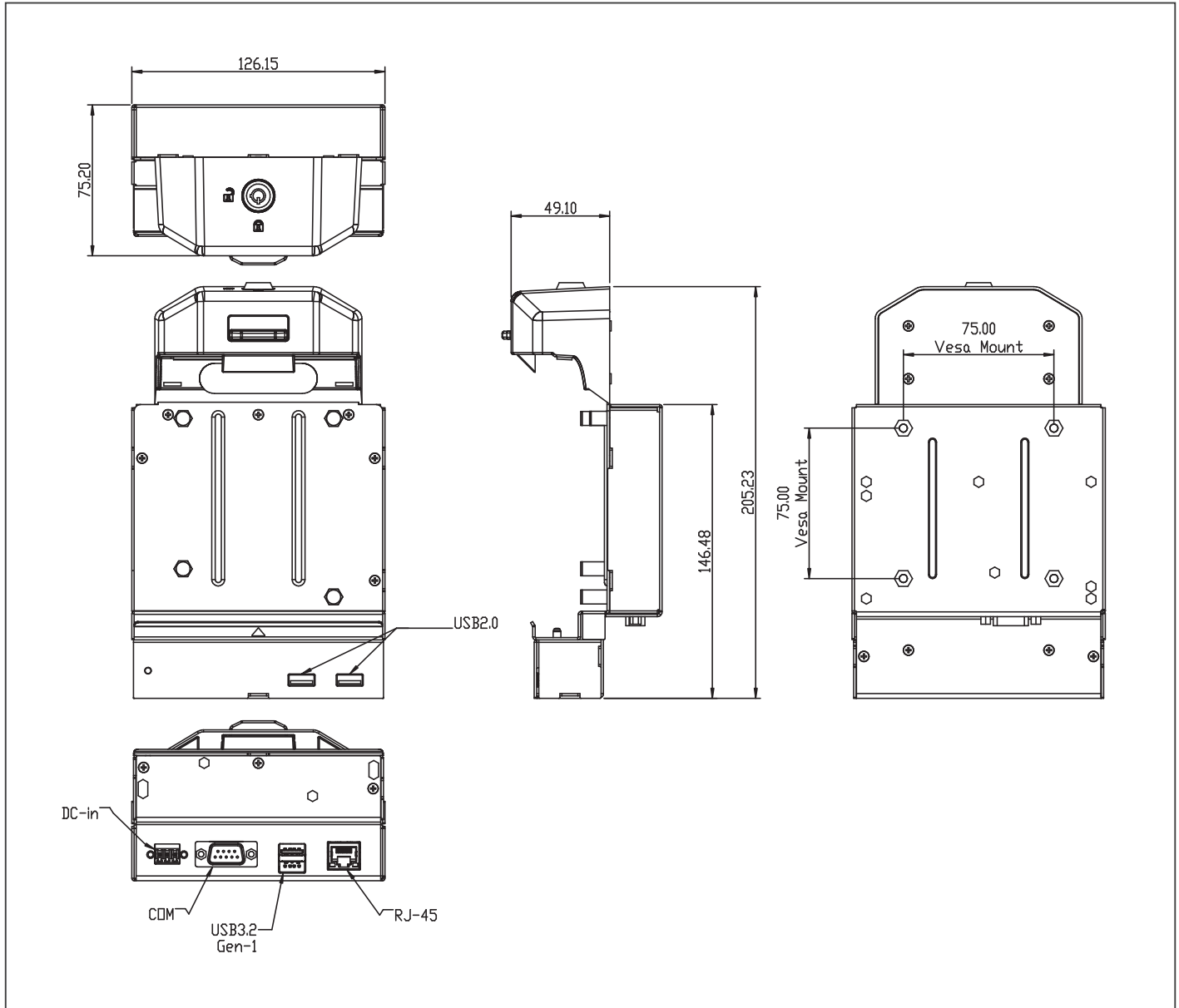
System	
I/O	Front-facing I/Os: USB 2.0 x 2 Downward-facing I/Os: USB 3.2 Gen 1 x 2 RS-232 x 1 RJ45 GbE x 1
DC Input	Phoenix connector: DINKLE ECH381H-03P Wide Voltage Input: DC 9V to 36V Mating connector: DINKLE EC381V-03P
LED Indicator	Orange: DC in w/o Tablet Blue: DC in w/ Tablet
Others	Anti-theft lock with key & VESA mount support (75x75)
Mechanical	
Color	Black
Construction	Metal
Dimensions (W x H x D)	8.07" x 4.96" x 2.96" (205mm x 126mm x 75mm)
Gross Weight	1.8 lb (0.82Kg)
Environmental	
Operating Temperature	-4°F ~ 140°F (-20°C ~ 60°C)
Storage Temperature	-22°F ~ 158°F (-30°C ~ 70°C)
ESD	Air charge: +/- 8KV Contact charge: +/- 4KV
EMC/ Safety	CE / FCC Class A
Power Supply	
AC/DC Adapter	AC 100V ~ 240V, 50Hz ~ 60Hz, Output: 12V/3.34A/40W DC connector: DINKLE EC381V-03P
DC/DC Adapter	—





## Dimension

Unit: mm



## Ordering Information

- **RDS-0710-000**  
Docking Station.USBx4.RS-232.RJ45.DC Connector.9-36V Input
- **RDS-0710-001**  
Docking Station.USBx4.RS-232.RJ45.DC Connector.9-36V Input.W/ Stand

## Optional Accessories

- **RDS-411-DIC-000**  
DC Input Cable, 2 Meters, One Side With Mating Connector: DINKLE EC381V-03P, One Side With Flying Wires

## Packing List

- **RDS-0710**
  - **125530040D**  
AC-To-DC Power Adaptor, 12V, 40W
- \*Power cord must be purchased separately.

# RDS-411

Rugged Docking Station for RTC-1010, RTC-1010M, RTC-1010RK



## Features

- Apply on RTC-1010, RTC-1010M, RTC-1010RK
- Front-facing I/Os: USB 2.0 x 2 with Protection Cover
- Downward-facing I/Os for Easy Cable Management: USB 2.0 x 2, RS-232 x 1 (Two: Optional), RJ45 GbE x 1, DC-in Phoenix Connector x 1
- Wide Voltage Input: 9VDC ~ 36VDC
- Power Adaptor: AC Power Adaptor (Default)
- Anti-theft Lock with Key & VESA Mount Support



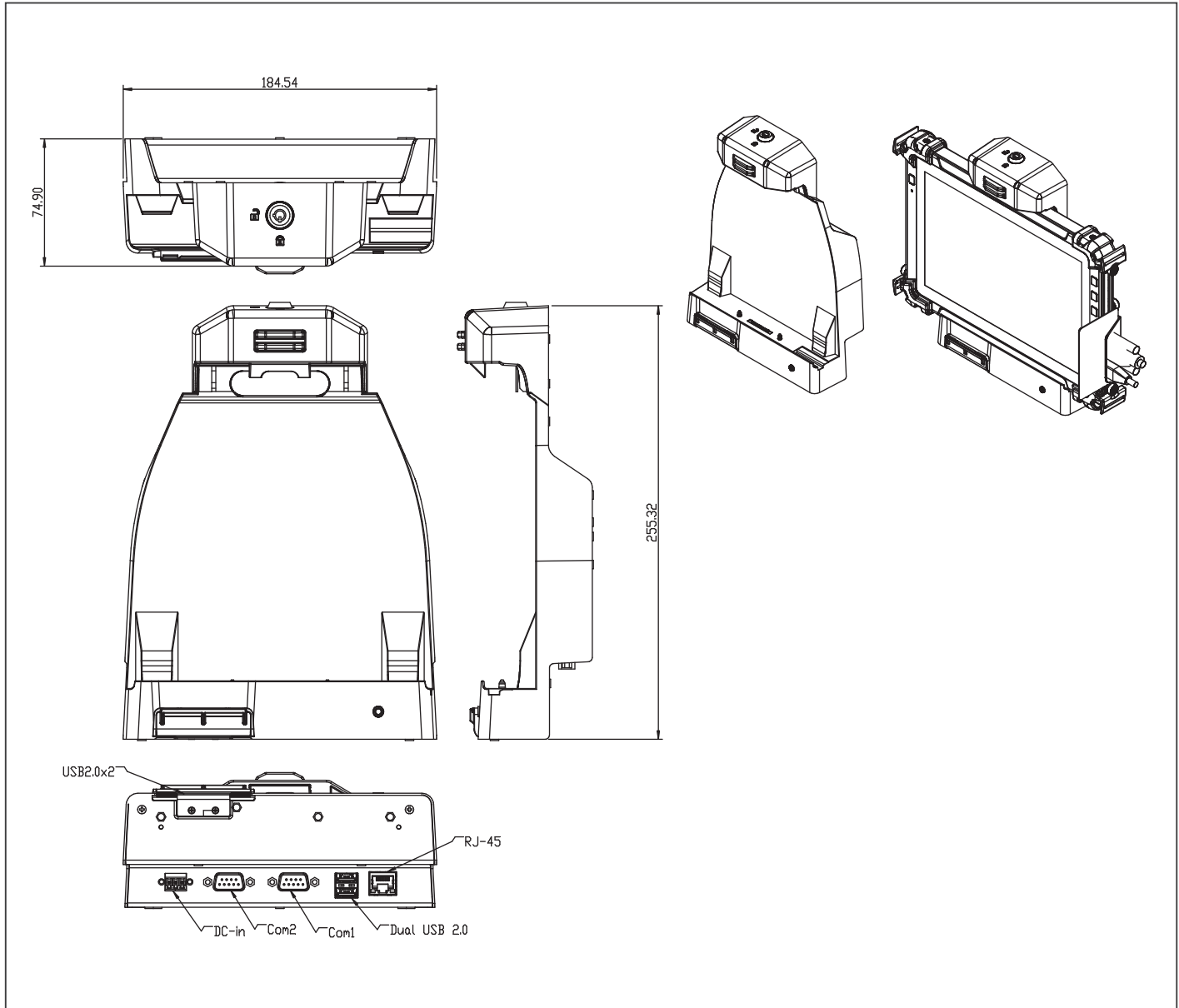
## Specifications

System	
I/O	Front-facing I/Os: USB 2.0 x 2 with protection cover Downward-facing I/Os: USB 2.0 x 2 RS-232 x 1 (Two: Optional) RJ45 GbE x 1
DC Input	Phoenix connector: DINKLE ECH381H-03P Wide Voltage Input: DC 9V to 36V Mating connector: DINKLE EC381V-03P
LED Indicator	Orange: DC in w/o Tablet Blue: DC in w/ Tablet
Others	Anti-theft lock with key & VESA mount support
Mechanical	
Color	Black
Construction	PC
Dimensions (W x H x D)	10.08" x 7.28" x 2.96" (256mm x 185mm x 75mm)
Gross Weight	6.17 lb (2.8 Kg)
Environmental	
Operating Temperature	32°F ~ 122°F ( 0°C ~ 50°C)
Storage Temperature	14°F ~ 140°F (-10°C ~ 60°C)
ESD	Air charge: +/- 8KV Contact charge: +/- 4KV
EMC/ Safety	CE / FCC Class A
Power Supply	
AC/DC Adapter	AC 100V ~ 240 V, 50Hz ~ 60Hz, Output: 12V/3.34A/40W DC connector: DINKLE EC381V-03P
DC/DC Adapter	—



## Dimension

Unit: mm



## Ordering Information

- **RDS-411-000**  
Docking Station.USBx4.RS-232.RJ45.DC Connector.9-36V Input
- **RDS-411-001**  
Docking Station.USBx4.RS-232.RJ45.DC Connector.9-36V Input.W/ Stand

## Packing List

- **RDS-411**
- **125530040D**  
AC-To-DC Power Adaptor, 12V, 40W

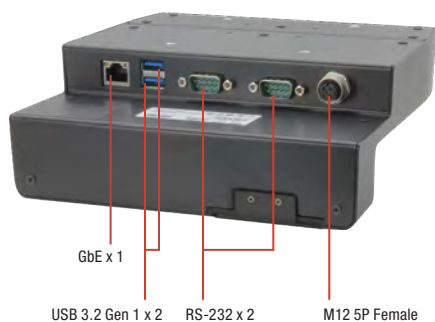
\*Power cord must be purchased separately.

## Optional Accessories

- **RDS-411-DIC-000**  
DC Input Cable, 2 Meters, One Side With Mating Connector: DINKLE EC381V-03P, One Side With Flying Wires.

# RDS-241V

Rugged Docking Station for RTC-1200



## Features

- Apply on RTC-1200
- Front-facing I/O: USB 2.0 x 2 with Protection Cover
- Downward-facing I/Os for Easy Cable Management: USB 3.2 Gen 1 x 2, RS-232 x 2, RJ45 GbE x 1, M12 DC-in x 1
- Wide Voltage Input: 9VDC ~ 36VDC via M12-5P Female Connector
- Power Adaptor: AC Power Adaptor (Default)
- Anti-theft lock with Key & VESA Mount Support



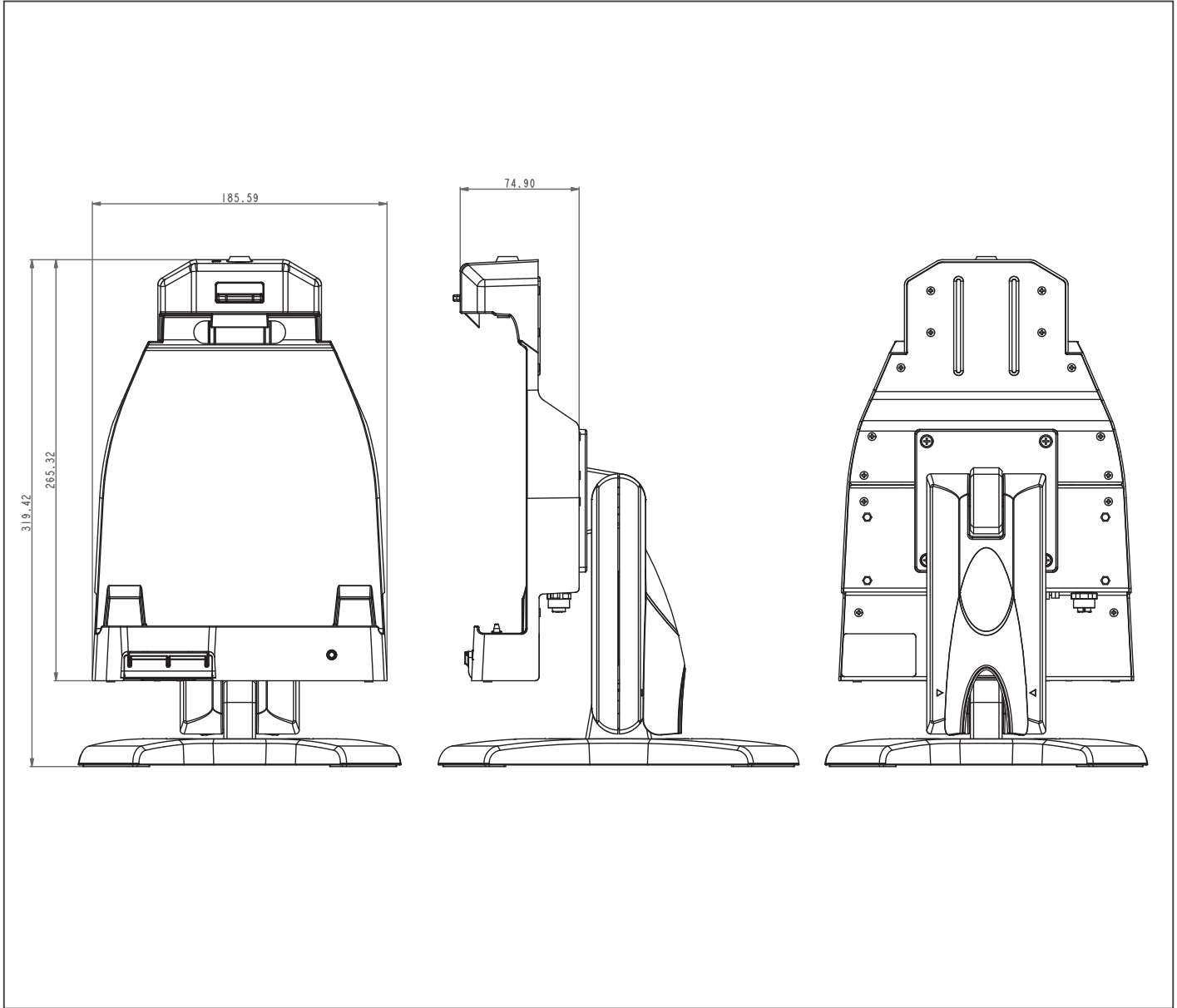
## Specifications

System	
I/O	Front-facing I/Os: USB 2.0 x 2 with protection cover Downward-facing I/Os: USB 3.2 Gen 1 x 2 RS-232 x 2 RJ45 GbE x 1 M12 DC-in x 1
DC Input	M12 5P Female (DC 9V to 36V)
LED Indicator	Orange: DC in w/o Tablet Blue: DC in w/ Tablet
Others	Anti-theft lock with key & VESA mount support
Mechanical	
Color	Black
Construction	PC
Dimension (W x H x D)	10.28" x 6.50" x 2.96" (261mm x 165mm x 75mm)
Gross Weight	6.44 lb (2.92 Kg)
Environmental	
Operating Temperature	32°F ~ 104°F (0°C ~ 40°C)
Storage Temperature	14°F ~ 122°F (-10°C ~ 50°C)
ESD	Air charge: +/- 8KV Contact charge: +/- 4KV
Certifications and Standards	CE/FCC Class A
Power Supply	
AC Adapter	AC 100V ~ 240V, 47Hz ~ 63Hz Output: 19V/4.74A/90W
DC Adaptor	—



## Dimension

Unit: mm



## Ordering Information

Part Number	Applied Models	Stand	Expansion I/O
RDS-241V-0000	For RTC-1200 Series w/ Stand	Yes	USB 2.0 x 2, USB 3.2 Gen 1 x 2, RS-232 x 2, LAN x 1, DC Connector
RDS-241V-0001	For RTC-1200 Series w/o Stand	No	USB 2.0 x 2, USB 3.2 Gen 1 x 2, RS-232 x 2, LAN x 1, DC Connector

## Packing List

- RDS-241V
  - 1255300908  
AC-To-DC Power Adaptor, 19V, 90W
- \*Power cord must be purchased separately.

## Optional Accessories

- 170X000674  
Power cord for USA
- 170X000675  
Power cord for Europe
- 170X000902  
Power Cord for UK
- 170X000901  
Power Cord for Japan

# RDS-1020

Rugged Docking Station for RTC-1020



## Features

- Suitable for RTC-1020
- Front-facing I/O: USB 2.0 x 2
- Downward-facing I/O for Easy Cable Management: USB 3.2 Gen 1 x 2, RS-232 x 1, GbE x 1, DC-in Phoenix Connector x 1
- Wide Voltage Input: 9VDC ~ 36VDC
- Power Adaptor: AC Power Adaptor (Default)
- Anti-Theft Lock with Key & VESA Mount Support (75x75)



## Specifications

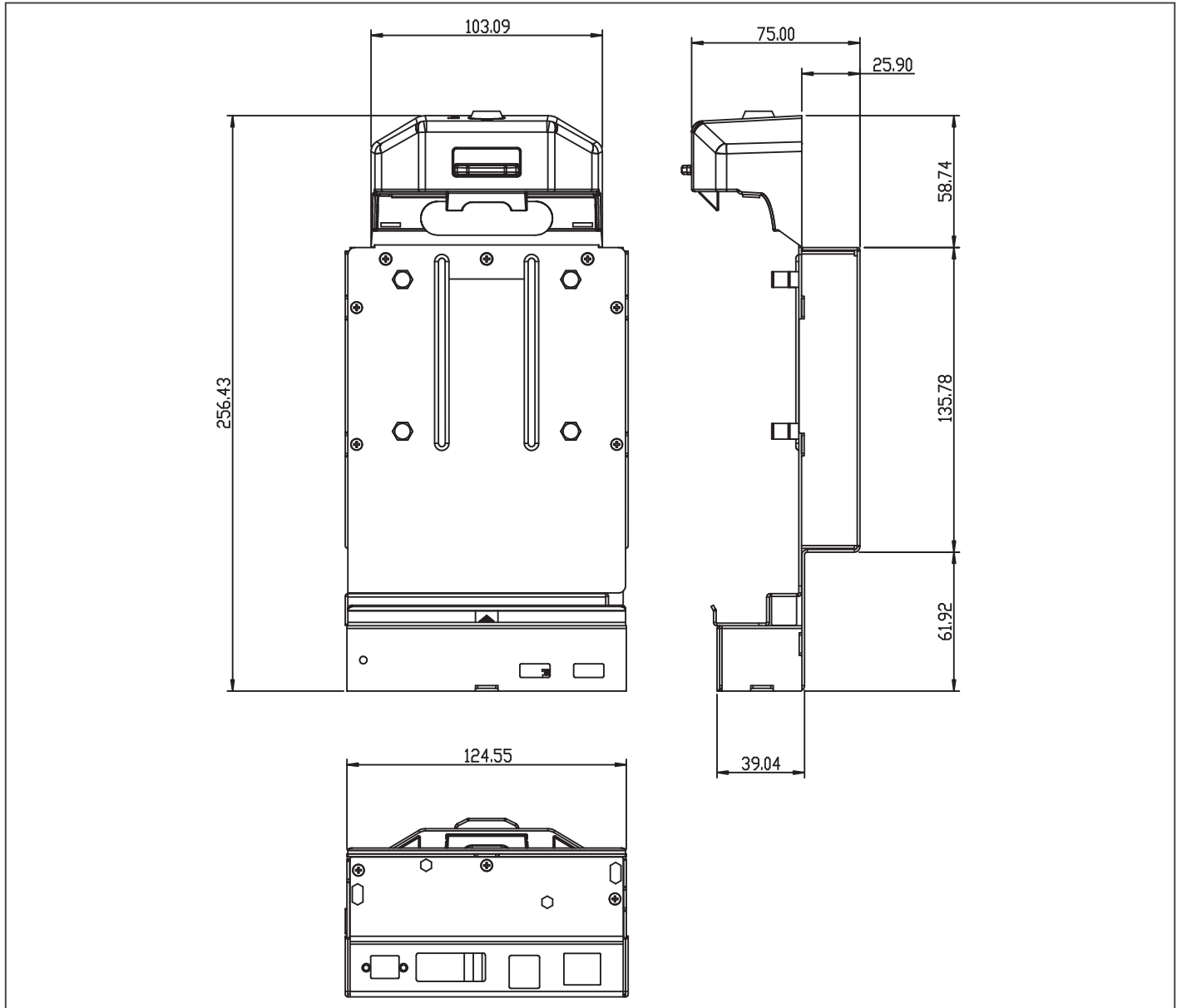
System	
I/O	Front-facing I/Os: USB 2.0 x 2 Downward-facing I/Os: USB 3.2 Gen 1 x 2 RS-232 x 1 RJ45 GbE x 1
DC Input	Phoenix connector: DINKLE ECH381H-03P Wide Voltage Input: DC 9V to 36V Mating connector: DINKLE EC381V-03P
LED Indicator	Orange: DC in w/o Tablet Blue: DC in w/ Tablet
Others	Anti-theft lock with key & VESA mount support (75x75)
Mechanical	
Color	Black
Construction	Metal
Dimension (W x H x D)	3.18" x 10.12" x 2.96" (125mm x 257mm x 75mm)
Gross Weight	2.2 lb. (1Kg)
Environmental	
Operating Temperature	0°C ~ 50°C (32°F ~ 122°F)
Storage Temperature	-10°C ~ 60°C (14°F ~ 140°F)
ESD	Air charge: +/- 8KV Contact charge: +/- 4KV
Certifications and Standards	CE / FCC Class B
Power Supply	
AC Adapter	AC 100 ~ 240 V, Output: 19V/ 6.32A/ 120W DC connector: 3P phoenix.3.81mm
DC Adaptor	N/A





## Dimension

Unit: mm



## Ordering Information

- **RDS-1020-000**  
Docking Station,USBx4,RS-232,RJ45,DC  
Connector:9-36V Input
- **RDS-1020-001**  
Docking Station,USBx4,RS-232,RJ45,DC  
Connector:9-36V Input,W/ Stand

## Packing List

- **RDS-1020**
  - **1255X00079**  
AC-To-DC Power Adaptor, 19V, 120W
- \*Power cord must be purchased separately.

## Optional Accessories

- **170203J000**  
DC Input Cable, 2 Meters, One Side With Mating  
Connector: DINKLE EC381V-03P, One Side With Flying  
Wires

# RTC-1010-HS-000

Hand Strap for RTC-1010, RTC-1010M, RTC-1010RK, RTC-1020



## Specifications

Mechanical	
Color	Black
Dimensions (W x H x D)	9.13" x 3.62" x 1.18" (232mm x 92mm x 30mm)

## Ordering Information

- **RTC-1010-HS-000**  
Hand Strap

# RTC-1010-SB-000

Shoulder Belt for RTC-1010, RTC-1010M, RTC-1010RK, RTC-1020



## Specifications

Mechanical	
Color	Black
Dimensions (W x H x D)	41.34" x 2.56" x 0.20" (1050mm x 65mm x 5mm)

## Ordering Information

- **RTC-1010-SB-000**  
Shoulder Belt, 2 Points



# RTC-1010-VMP-000

VESA Mount Plate for RTC-1010M



## Specifications

Mechanical	
Color	Black
Dimensions (W x H x D)	10.85" x 7.55" x 0.98" (275.6mm x 191.7mm x 25mm)

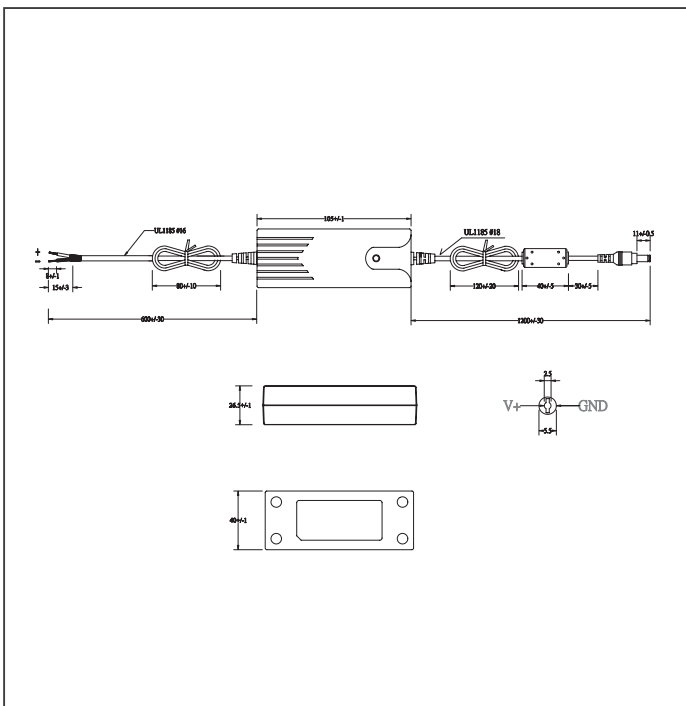
## Ordering Information

- **RTC-1010-VMP-000**  
VESA Mount Plate

\* This item can be applied to RTC-1010 when the bumpers on the device are removed.

# RTC-1010-DTDPA-002

DC-To-DC Power Adapter, Flying Wires for RTC-1010, RTC-1010M, RTC-1010RK



## Specifications

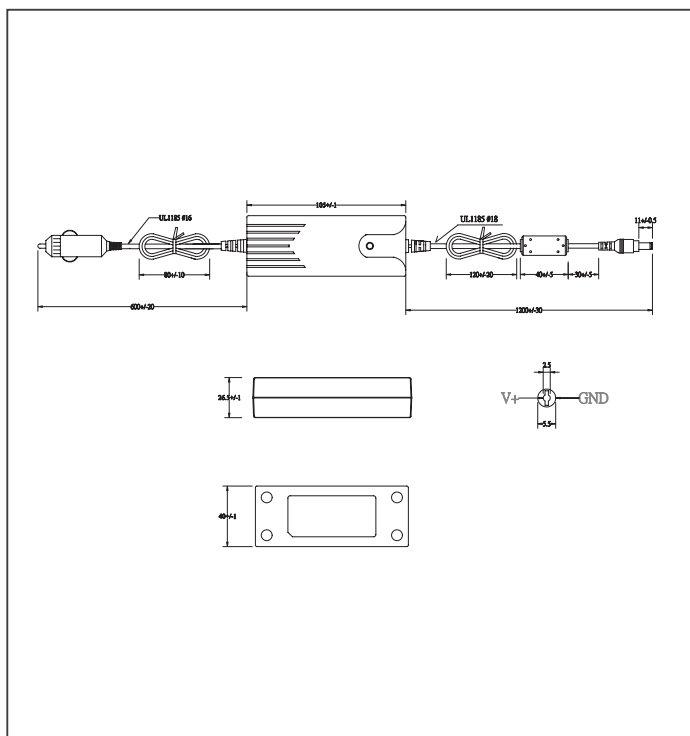
Mechanical	
Color	Black
Dimensions (W x H x D)	Adapter case: 1.57" x 4.13" x 1.04" (40mm x 105mm x 26.5mm) Plug side length: 47.24" ± 1.18" (1200mm ± 30mm) Flying Wires side length: 23.62" ± 1.18" (600mm ± 30mm) Total length: 75" ± 2.36" (1905mm ± 60mm)

## Ordering Information

- **RTC-1010-DTDPA-002**  
DC-To-DC Power Adapter, 12V to 36V Input, 12V/3A Output, One End-DC Jack, One End-Two Flying Wires

# RTC-1010-DTDPA-001

DC-To-DC Power Adapter, Cigarette Plug for RTC-1010, RTC-1010M, RTC-1010RK



## Specifications

Mechanical	
Color	Black
Dimensions (W x H x D)	1.57" x 4.13" x 1.04" (40mm x 105mm x 26.5mm) Plug side length: 47.24" ± 1.18" (1200mm ± 30mm) Cigarette Plug side length: 23.6" ± 1.9" (600mm ± 50mm) Total length: 75" ± 1.9" (1905mm ± 50mm)

## Ordering Information

- **RTC-1010-DTDPA-001**  
DC-To-DC Power Adapter, 12V to 36V Input, 12V/3A Output, One End-DC Jack, One End-Cigarette Plug

# RTC-1200HSP01-000

Hand Strap for RTC-1200



## Specifications

Mechanical	
Color	Black
Dimensions (W x H x D)	10.24" x 3.62" x 1.18" (260mm x 92mm x 30mm)

## Ordering Information

- **RTC-1200HSP01-000**  
Rotating Hand-Strap



# RTC-1200BLT01-000

Shoulder Belt for RTC-1200

01

Rugged Tablet Computers : Accessories



## Specifications

Mechanical	
Color	Black
Dimensions (W x H x D)	1050 x 65 x 5 mm

## Ordering Information

- **RTC-1200BLT01-000**  
Shoulder Belt, 2 Points

# RTC-1200BLT02-000

Shoulder Belt for RTC-1200



## Specifications

Mechanical	
Color	Black
Dimensions (W x H x D)	450 x 350 x 50 mm

## Ordering Information

- **RTC-1200BLT02-000**  
Shoulder Belt 4 Points

# RTC-1200BKT01-000

VESA Mount Bracket for RTC-1200



## Specifications

Mechanical	
Color	Black
Dimensions (W x H x D)	180 x 203.3 x 45.4 mm

## Ordering Information

- **RTC-1200BKT01-000**  
Mounting Bracket (VESA/RAM)

# RTC-1010BKT-000

Bracket for RTC-1010, RTC-1010M, RTC-1010RK



## Specifications

Mechanical	
Color	Black
Dimensions (W x H x D)	103.1 x 228.4 x 49 mm

## Ordering Information

- **RTC-1010BKT-000**  
Bracket for RTC-1010, RTC-1010M, RTC-1010RK



# RBC-1200-000

01

4-bay Battery Charger for RTC-1010, RTC-1010M, RTC-1010RK, RTC-1020, RTC-1200

Rugged Tablet Computers : Accessories



## Specifications

Mechanical	
Color	Black
Dimensions (W x H x D)	5.5" x 2.6" x 4.7" (140.5mm x 68.4mm x 121.87mm)
Power Supply	
AC/DC Adapter	AC power input:100-240V, 50Hz-60Hz, 65W, DC power output: 19V/3.42A

## Ordering Information

- **RBC-1200-000**  
4-bay Battery Charger

# RTC-1200BAT01-000

Battery Pack for RTC-1010, RTC-1010M, RTC-1200, RTC-1010RK, RTC-1020



## Specifications

Mechanical	
Color	Black
Dimensions (W x H x D)	2.8" x 4.3" x 0.5" (71.5mm x 110mm x 13.3mm)
Capacity	
Capacity	14.4V, 2270mAh, 32.7W

## Ordering Information

- **RTC-1200BAT01-000**  
Battery Pack, 14.4V, 2270mAh, 2 pcs/Box
- \* This item can be shipped by air based on dangerous goods shipment with extra shipping charge.

# RTC-1010-SBG-000

Shoulder Bag for RTC-1010, RTC-1020, RTC-1200, RTC-1010RK



## Specifications

Mechanical	
Color	Black
Dimensions (W x H x D)	Bag: 330 x 245 x 50 mm
	Shoulder strap: Length: 710 mm (Min) ~ 1310 mm (Max)

## Ordering Information

- **RTC-1010-SBG-000**  
Shoulder Bag



ES France - Mobilité & Systèmes Embarqués  
127 rue de Buzenval BP 26 - 92380 Garches



Tél. 01 47 95 99 80



e-mail : [mse@es-france.com](mailto:mse@es-france.com)  
Site Web : [www.es-france.com](http://www.es-france.com)

# 02



ES France - Mobilité & Systèmes Embarqués  
127 rue de Buzenval BP 26 - 92380 Garches



Tél. 01 47 95 99 80

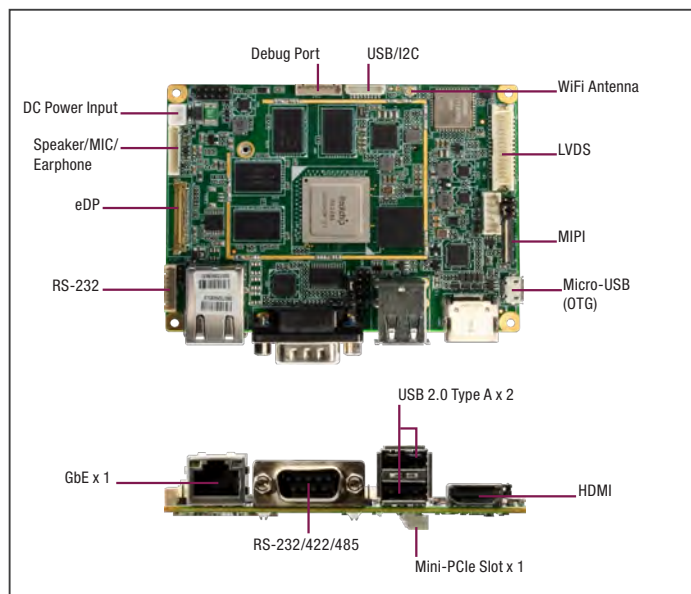


e-mail : [mse@es-france.com](mailto:mse@es-france.com)  
Site Web : [www.es-france.com](http://www.es-france.com)

# 02

## RISC Boards





## Features

- Rockchip RK3288
- Onboard DDR3L 2GB/4GB (Optional)
- Onboard eMMC 16GB and Micro-SD Card Slot
- HDMI (1.4), eDP, LVDS, MIPI
- WiFi 802.11 a/b/g/n/ac, BT V5.4, GPS (Optional), NFC (Optional)
- GbE: RJ45 x 1
- USB 2.0: Micro-USB OTG x 1, Type A x 2, Pin Header x 1
- RS-232/422/485 x 1, RS-232 x 1
- 8-bit GPIO, I2C, mPCIe Slot x 1
- +12V DC Input
- OS Support: Android 9.0 / Debian 10
- Small Board Size: 100mm x 72mm (PICO-ITX)



## Specifications

System	
Form Factor	Pico-ITX (100mm x 72mm)
CPU	Rockchip RK3288 ARM Cortex™-A17 Quad-core 1.6 GHz
GPU	Mali-T764
Graphics	Video Decode: MPEG-1, MPEG-2, MPEG-4, H.263, H.264, AVS, VC-1, VP8, MVC Video Encode: H.264 (BP@level4.0, MP@level4.0, HP@level4.0), MVC and VP8
Memory Capacity	Onboard DDR3L 2GB/4GB (Optional)
Storage/SSD	16GB eMMC and Micro-SD card
Operating System	Android 9.0 / Debian 10
Kernel	Kernel 4.4
Watchdog Timer	Integrated
Power Requirement	+12V DC input
Power Consumption (Typical)	0.6A@12V, full load, Quad-core CPU
Dimension	3.94" x 2.84" (100mm x 72mm)
Gross Weight	0.44 lb (0.2 Kg)
Operating Temperature	32°F ~ 140°F (0°C ~ 60°C) (-20°C ~ 60°C: Optional)
Storage Temperature	-40°F ~ 176°F (-40°C ~ 80°C)
Operating Humidity	0% ~ 90% relative humidity, non-condensing
MTBF (Hours)	80,000
Certification	CE/FCC
Display	
HDMI	HDMI (1.4) up to 4K x 2K @60Hz
eDP	Up to 2560 x 1440 @60Hz
LVDS	Support 18/24-bit up to 1920 x 1080 @60Hz
MIPI	Up to 2560 x 1440 @60Hz
RF Function	
WiFi	802.11 a/b/g/n/ac
BT	Bluetooth V5.4 + EDR
I/O	
Ethernet	GbE x 1
USB Port	Micro-USB OTG x 1 USB 2.0 Type A x 2 USB2.0 Pin header x 1 (Integrated)
Serial Port	RS-232/422/485 x 1 RS-232 Pin header x 1 Debug port pin header x 1
Audio	2.5W (by 4Ω) Speaker/ Microphone/ Earphone
GPIO	8-bit (4-in, 4-out)
Expansion Slot	Full-size mini-PCIe slot x 1 (For 3G/4G card)
SIM Slot	Nano-SIM
SD Socket	Support Micro-SD card
Camera	—

## Packing List

- RICO-3288
- MB Power Cable
- RTC Battery

\*Please note that the RICO-3288 heat sink is not included by default and must be purchased separately.

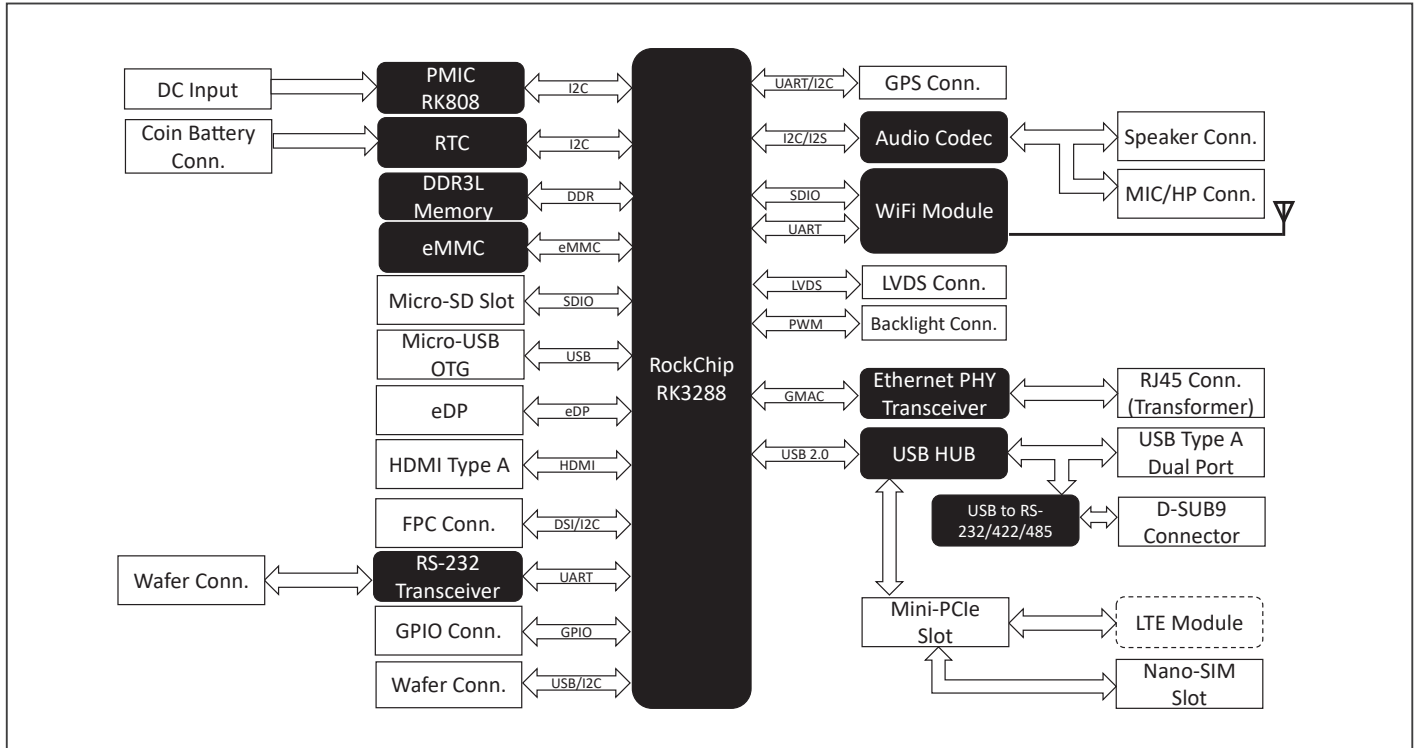
## Optional Accessories

Part Number	Description	Qty.
1701090150	COM Cable, Length 15cm	1
125530060Y	12V/60W Power Adapter	1
M16535S000	Heat sink for RICO-3288	1



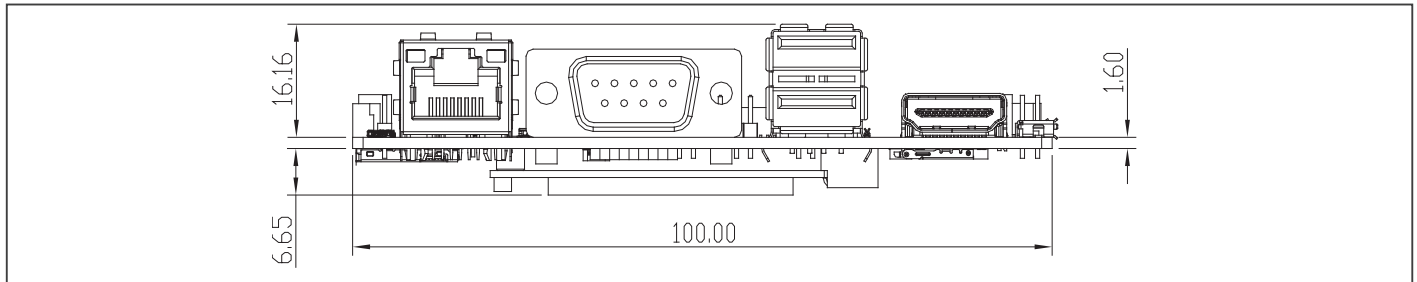


## Block Diagram



## Dimension

Unit: mm

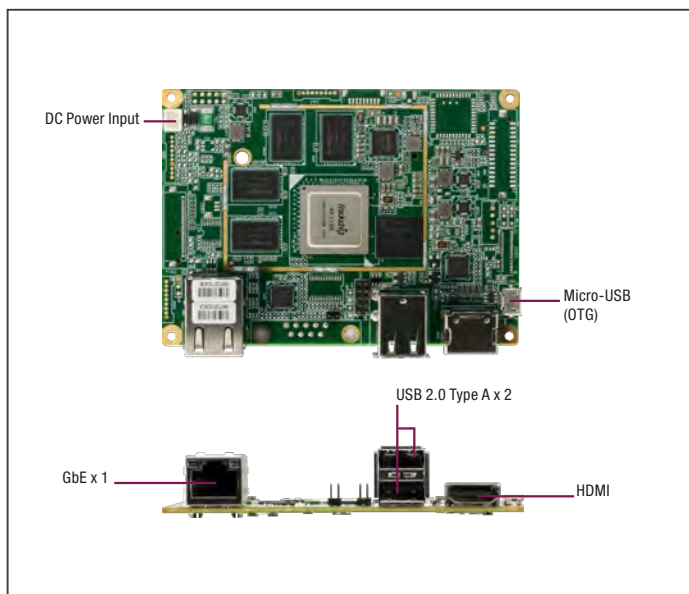


## Ordering Information

Part Number	CPU	OS	RAM	Storage	LAN	RS-232	USB	Display	WiFi & BT	3G/LTE Slot
RICO-3288-A11-0011	ARM Cortex-A17 1.6GHz	Android™ 9.0	2GB DDR3L	16GB eMMC	GbE x 1	1 (RS-232) 1 (RS-232/422/485)	4	1 (HDMI) 1 (eDP) 1 (LVDS) 1 (MIPI)	802.11 a/b/g/n/ac BT 5.4 + EDR	1 (mPCIe Slot)
RICO-3288-A11-0012 (MOQ: 50)	ARM Cortex-A17 1.6GHz	Android™ 9.0	4GB DDR3L	16GB eMMC	GbE x 1	1 (RS-232) 1 (RS-232/422/485)	4	1 (HDMI) 1 (eDP) 1 (LVDS) 1 (MIPI)	802.11 a/b/g/n/ac BT 5.4 + EDR	1 (mPCIe Slot)
RICO-3288W1-A11-0011 (-20°C~60°C)	ARM Cortex-A17 1.6GHz	Android™ 9.0	2 GB DDR3L	16GB eMMC	GbE x 1	1 (RS-232) 1 (RS-232/422/485)	4	1 (HDMI) 1 (eDP) 1 (LVDS) 1 (MIPI)	802.11 a/b/g/n/ac BT 5.4 + EDR	1 (mPCIe Slot)

# RICO-3288MINI

Pico-ITX Fanless Board with Rockchip ARM Cortex™-A17 Quad-core Processor



## Features

- Rockchip RK3288
- Onboard DDR3L 2GB
- Onboard eMMC 16GB
- HDMI (1.4): Up to 4K x 2K @ 60Hz
- GbE: RJ45 x 1
- USB 2.0: Micro-USB OTG x 1, Type A x 2
- 8-bit GPIO
- +12V DC Input
- OS Support: Android 9.0 / Debian 9.0
- Small Board Size: 100mm x 72mm (PICO-ITX)



## Specifications

System	
Form Factor	Pico-ITX (100mm x 72mm)
CPU	Rockchip RK3288 ARM Cortex™-A17 Quad-core 1.6 GHz
GPU	Mali-T764
Graphics	Video Decode: MPEG-1, MPEG-2, MPEG-4, H.263, H.264, AVS, VC-1, VP8, MVC Video Encode: H.264 (BP@level4.0, MP@level4.0, HP@level4.0), MVC and VP8
Memory Capacity	Onboard DDR3L 2GB
Storage/SSD	16GB eMMC
Operating System	Android 9.0 / Debian 9.0
Kernel	Kernal 4.4
Watchdog Timer	Integrated
Power Requirement	+12V DC input
Power Consumption (Typical)	0.6A@12V, full load, Quad-core CPU
Dimension	3.94" x 2.84" (100mm x 72mm)
Gross Weight	0.22 lb (0.1 Kg)
Operating Temperature	32°F ~ 140°F (0°C ~ 60°C)
Storage Temperature	-40°F ~ 176°F (-40°C ~ 80°C)
Operating Humidity	0% ~ 90% relative humidity, non-condensing
MTBF (Hours)	80,000
Certification	CE/FCC
Display	
HDMI	HDMI (1.4) up to 4K x 2K @60Hz
eDP	—
LVDS	—
MIPI	—
RF Function	
WiFi	—
BT	—
I/O	
Ethernet	GbE x 1
USB Port	Micro-USB OTG x 1 USB 2.0 Type A x 2
Serial Port	—
Audio	—
GPIO	8-bit (4-in, 4-out)
Expansion Slot	—
SIM Slot	—
SD Socket	—
Camera	—

## Packing List

- RICO-3288MINI
- MB Power Cable
- RTC Battery

\*Please note that the RICO-3288 heat sink is not included by default and must be purchased separately.

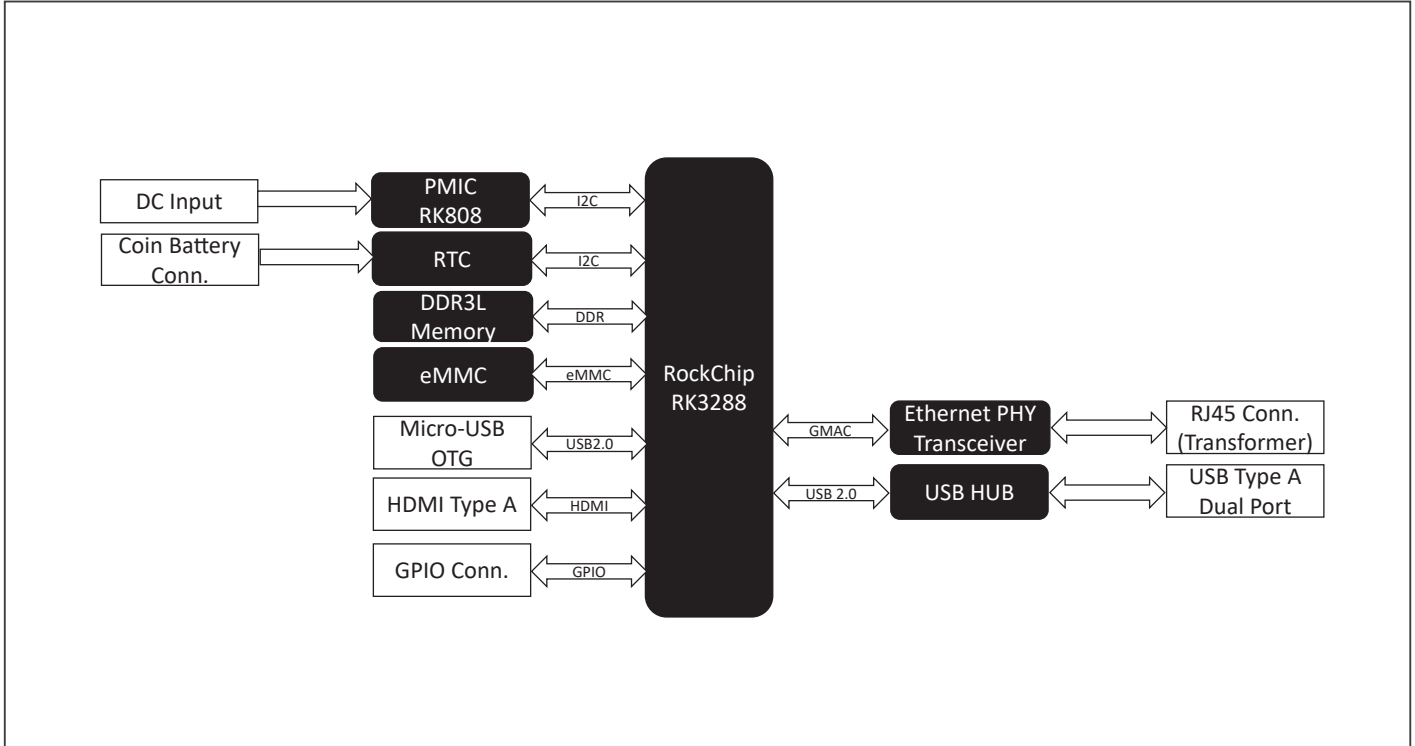
## Optional Accessories

Part Number	Description	Qty.
125530060Y	12V/60W Power Adapter	1
M16535S000	Heat sink for RICO-3288	1

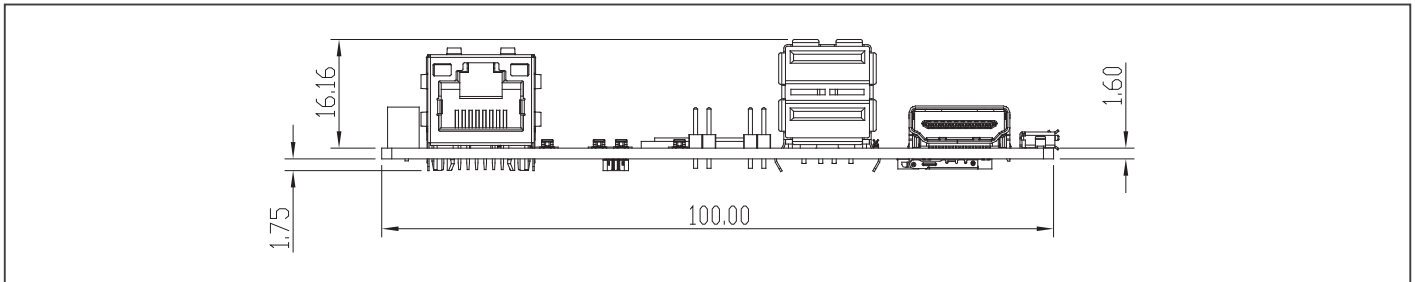




## Block Diagram



## Dimension Unit: mm

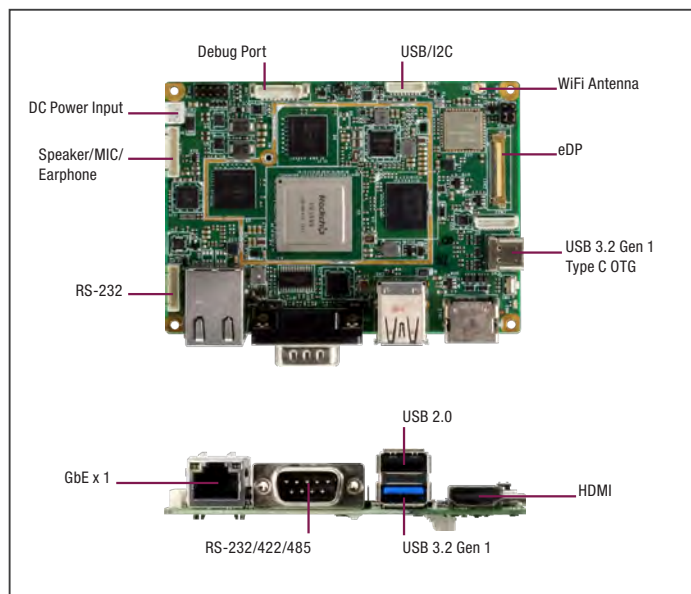


## Ordering Information

Part Number	CPU	OS	RAM	Storage	LAN	RS-232/422/485	USB	Display	WiFi & BT	3G/LTE Slot
RICO-3288MINI-A11-0001	ARM Cortex-A17 1.6GHz	Android 9.0	2GB DDR3L	16GB eMMC	GbE x 1	—	3	1 (HDMI)	—	—

# RICO-3399

Pico-ITX Fanless Board with Rockchip ARM Cortex-A72 Dual-core and Cortex-A53 Quad-core Processor



## Features

- Rockchip RK3399
- Onboard LPDDR3 2GB/4GB (Optional)
- Onboard eMMC 16GB and Micro-SD Card Slot
- HDMI (2.0), eDP
- WiFi 802.11 a/b/g/n/ac, BT V4.2, GPS (Optional), NFC (Optional)
- GbE: RJ45 x 1
- USB 3.2 Gen 1: OTG x 1, Type A x 1
- USB 2.0: Type A x 1, Pin Header x 1
- RS-232/422/485 x 1, RS-232 x 1
- 8-bit GPIO, I2C, mPCIe Slot x 1
- +12V DC Input
- OS Support: Android 8.1 / Debian 10
- Small Board Size: 100mm x 72mm (PICO-ITX)



## Specifications

System	
Form Factor	Pico-ITX
CPU	Rockchip RK3399 Cortex™-A72 Dual-core 1.8GHz and Cortex™-A53 Quad-core 1.4GHz
GPU	Mali-T864
Graphics	Video Decode: MPEG-1, MPEG-2, MPEG-4, H.263, H.264, H.265, VC-1, VP8, VP9, MVC Video Encode: H.264 UP to HP@level4.1, MVC and VP8
Memory Capacity	Onboard LPDDR3 2GB/4GB (Optional)
Storage/SSD	16GB eMMC and Micro-SD card
Operating System	Android 8.1 / Debian 10
Kernel	Kernel 4.4
Watchdog Timer	Integrated
Power Requirement	+12V DC input
Power Consumption (Typical)	0.6A@12V, full load, Hexa-core CPU
Dimension	3.94" x 2.84" (100 mm x 72 mm)
Gross Weight	0.44 lb (0.2 Kg)
Operating Temperature	32°F ~ 140°F (0°C ~ 60°C)
Storage Temperature	-40°F ~ 176°F (-40°C ~ 80°C)
Operating Humidity	0% ~ 90% relative humidity, non-condensing
MTBF (Hours)	80,000
Certification	CE/FCC
Display	
HDMI	HDMI (2.0) up to 4K x 2K @60Hz
eDP	Up to 4K x 2K @60Hz
LVDS	—
MIPI	—
RF Function	
WiFi	802.11 a/b/g/n/ac
BT	Bluetooth V4.2 + EDR

I/O	
Ethernet	GbE x 1
USB Port	USB 3.2 Gen 1 Type C OTG x 1 USB 3.2 Gen 1 (Bottom)/USB 2.0 (Top) dual port x 1 USB 2.0 Pin Header x 1 (Integrated)
Serial Port	RS-232/422/485 x 1 RS-232 Pin header x 1 Debug port pin header x 1
Audio	2.5W (by 4Ω) Speaker/ Microphone/ Earphone
GPIO	8-bit (4-in, 4-out)
Expansion Slot	Full-size mini-PCIe slot x 1 (For 3G/4G card)
SIM Slot	Nano-SIM
SD Socket	Support Micro-SD card
Camera	—

## Packing List

- RICO-3399
- MB Power Cable
- RTC Battery

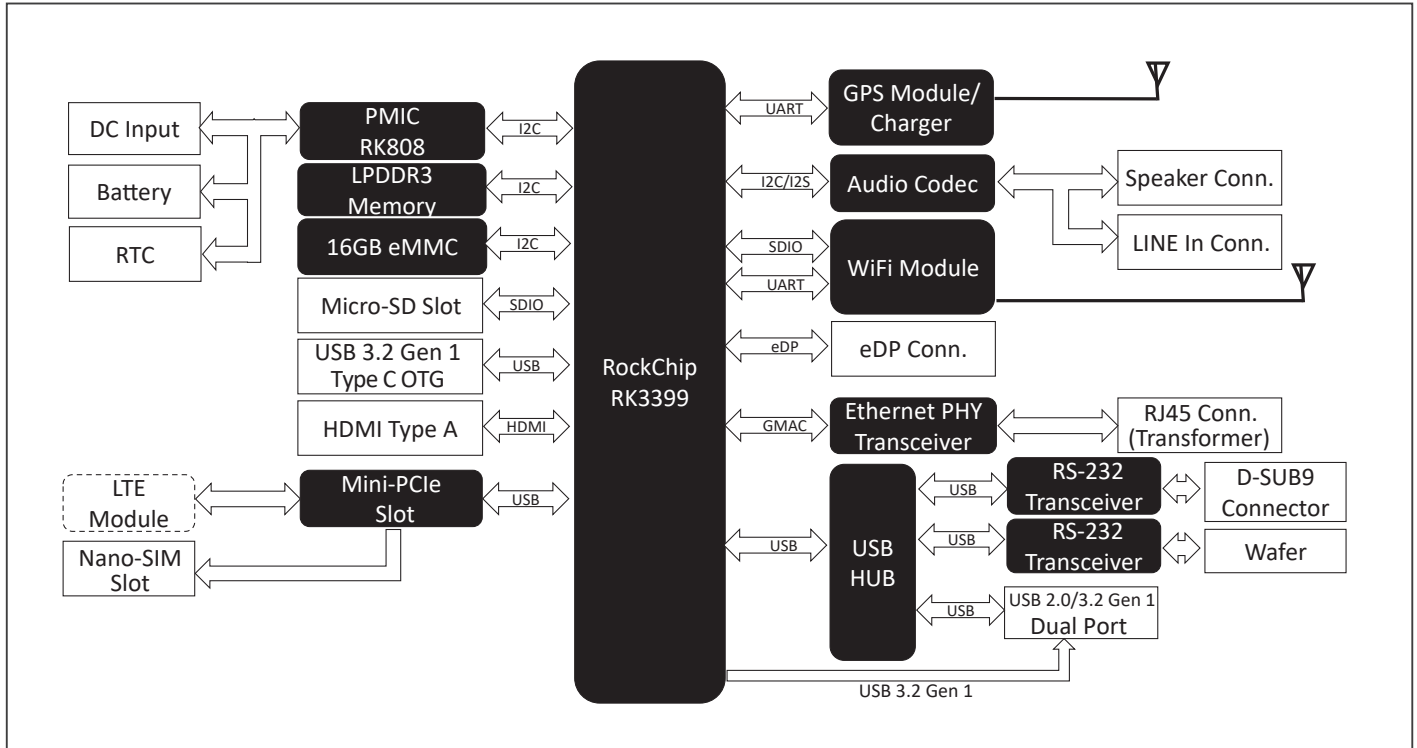
## Optional Accessories

Part Number	Description	Qty.
1701090150	COM Cable, Length 15cm	1
125530060Y	12V 60W Power Adapter	1

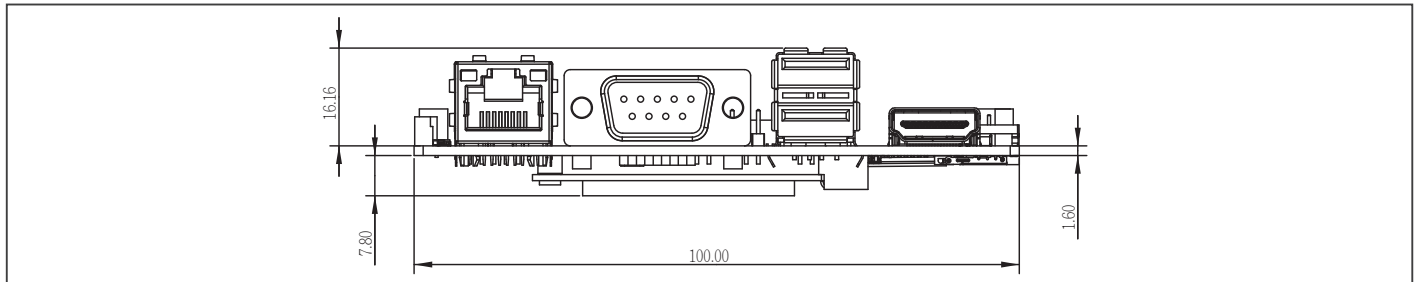




## Block Diagram



## Dimension Unit: mm

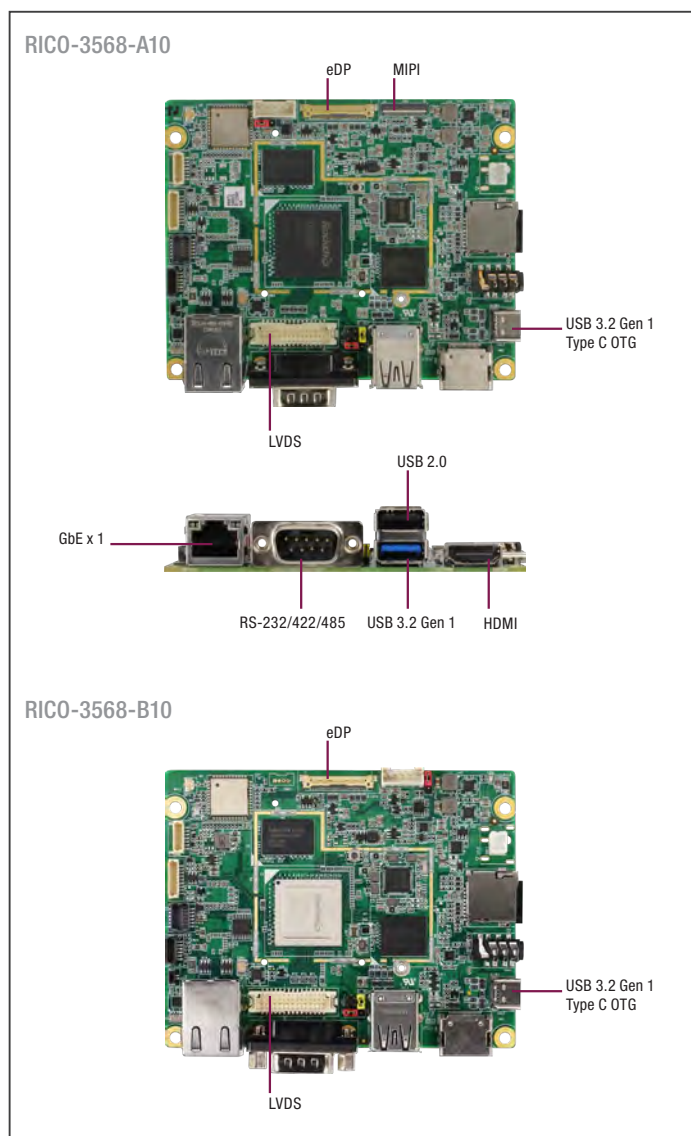


## Ordering Information

Part Number	CPU	OS	RAM	Storage	LAN	RS-232	USB	Display	WiFi & BT	3G/LTE Slot
RICO-3399-A10-0001	ARM Dual Cortex-A72 + Quad Cortex-A53	Android 8.1	2GB LPDDR3	16GB eMMC	GbE x 1	1 (RS-232) 1 (RS-232/422/485)	4	1 (HDMI) 1 (eDP)	802.11 a/b/g/n/ac BT 4.2 + EDR	1 (mPCIe Slot)
RICO-3399-A10-0002	ARM Dual Cortex-A72 + Quad Cortex-A53	Android 8.1	2GB LPDDR3	16GB eMMC	GbE x 1	1 (RS-232) 1 (RS-232/422/485)	4	1 (HDMI)	—	—
RICO-3399-A10-0003 (MOQ: 50)	ARM Dual Cortex-A72 + Quad Cortex-A53	Android 8.1	4GB LPDDR3	16GB eMMC	GbE x 1	1 (RS-232) 1 (RS-232/422/485)	4	1 (HDMI) 1 (eDP)	802.11 a/b/g/n/ac BT 4.2 + EDR	1 (mPCIe Slot)

# RICO-3568

Pico-ITX Fanless Board with Rockchip RK3568 Quad-Core Arm® Cortex®-A55 Processor



## Features

- Rockchip RK3568
- Onboard LPDDR4 2GB/4GB/8GB (Optional)
- HDMI 2.0, eDP 1.3, LVDS, MIPI (A1.0)
- Wi-Fi 802.11 a/b/g/n/ac, BT V5.4
- RS-232/422/485 x 1, RS-232 x 1, Debug Port x 1
- 8-bit GPIO, I2C, mPCIe Slot x 1 (mSATA/USB)
- Single/Dual-Channel LVDS
- Android™ 12/Debian® 10 Support
- Small Board Size: 100mm x 80mm



Operating Humidity	0% ~ 90% relative humidity, non-condensing
MTBF (Hours)	100,000
Certification	CE/FCC
<b>Display</b>	
HDMI	HDMI 2.0, up to 4K x 2K @60Hz
eDP	eDP 1.3, up to 2560 x 1600 @60Hz
LVDS	18/24-bit LVDS A1.0: Up to 1280 x 800 @60Hz B1.0: Up to 1920 x 1080 @60Hz JP2, 3.3V/5V: LVDS Power Selection JP3, 5V/12V: Backlight Power Selection LCD Backlight connector
MIPI	For A1.0 only Up to 2048 x 1536 @60Hz for Dual-MIPI Mode
<b>RF Function</b>	
WiFi	Onboard 802.11 a/b/g/n/ac ANT1 for Antenna
BT	Bluetooth V5.4 + EDR
<b>I/O</b>	
Ethernet	GbE x 2 RJ-45 x 2 (Onboard x 1 + T650 Daughter Board RJ-45 Port or T650 Wide-Voltage Board RJ-45 Port)
USB Port	USB 3.2 Gen 1 OTG (Type-C) x 1 USB 3.2 Gen 1 x 1 USB 2.0 x 2 (Type-A x 1, Pin Header with Integrated USB, I2C, 5V x 1)
Serial Port	RS-232/422/485 x 1 JP1, 5V/12V: RS-232/422/485 Voltage Output Selection RS-232 / Debug port 7-pin wafer x 1 CNS: UART (Tx/Rx only), I2C, USB, Others
Audio	Microphone/ Earphone (3.5mm)
GPIO	GPIO x 8, 2x6 Wafer x 1
Expansion Slot	Full-size mini-PCIe slot x 1 (mSATA / USB) Connect to Daughter board: 40-pin FPC connector x 1
SIM Slot	Nano-SIM, Push-Push type with tray
SD Socket	Micro-SD card, Push-Push type
Camera	—

## Specifications

System	
Form Factor	Pico-ITX Plus (100mm x 80mm)
CPU	Rockchip RK3568 Quad-Core Arm® Cortex®-A55 Processor NPU: 0.8 TOPS
GPU	Arm® Mali™-G52 GPU
Graphics	Video Encode: 1080P @60fps H.264/H.265 Video Decode: 4K@60fps H.264/H.265/AV1 4KP60 AVS2/VP9 1080P MPEG1/VP8
Memory Capacity	Onboard LPDDR4 2GB/4GB/8GB (Optional)
Storage/SSD	16GB eMMC and Micro-SD card Full-size mini-PCIe slot x 1 (mSATA / USB)
Operating System	Android™ 12 Debian® 10
Kernel	Kernel 4.19.219 (Android 12)
Watchdog Timer	Integrated
Power Requirement	+12V DC input AT: Default, ATX: Optional
Power Consumption (Typical)	0.96A @12V, full load, Quad-core CPU
Dimension	3.94" x 3.15" (100mm x 80mm)
Gross Weight	0.44 lb (0.2 Kg)
Operating Temperature	-4°F ~ 140°F (-20°C ~ 60°C)

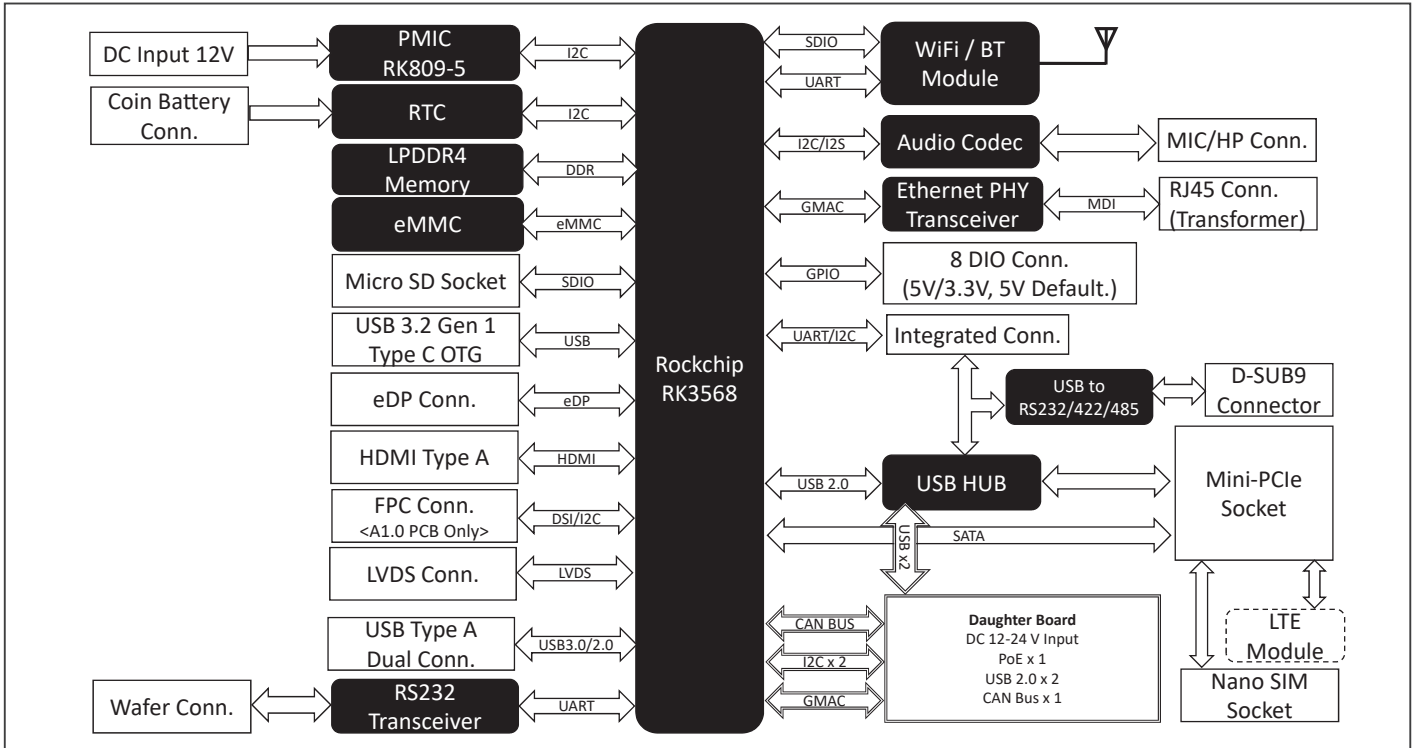
## Optional Accessories

Part Number	Description	Qty.
PER-T650-A10	12-24V Input, PoE x 1, CAN Bus x 1, USB 2.0 x 2	1
125530060Y	12V/60W Power Adaptor	1
RICO-3568-HS-001	Heat-sink for RICO-3568.Low Fins	1
RICO-3568-HS-002	Heat-sink for RICO-3568.High Fins	1
1702031802	Power Cord for US	1
1702031803	Power Cord for EU	1
170203180J	Power Cord for UK	1
170203180E	Power Cord for Japan	1
RICO-3568-DK-000	RICO-3568 7" Developer Kit	1
RICO-3568-DK-001	RICO-3568 10" Developer Kit	1

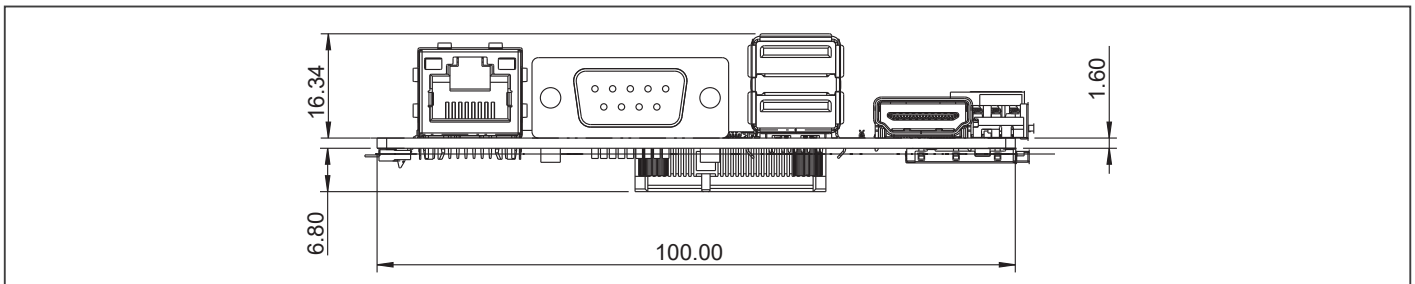




## Block Diagram



## Dimension Unit: mm



## Ordering Information

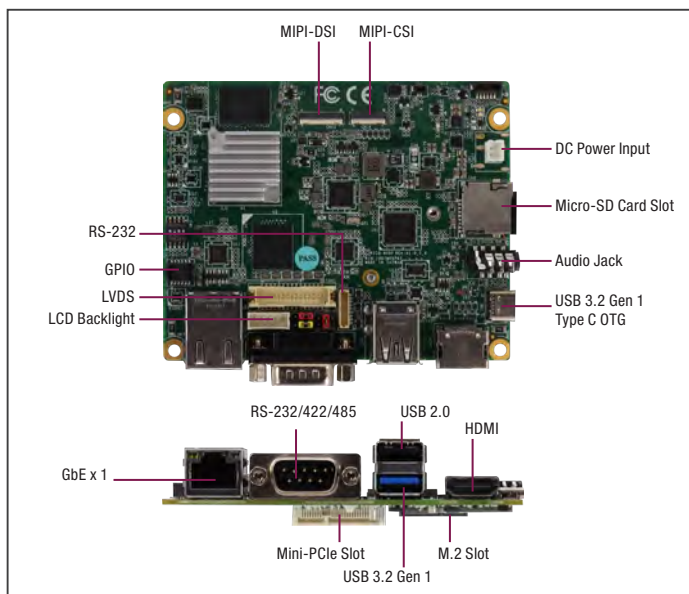
Part Number	CPU	OS	RAM	Storage	LAN	RS-232	USB	Display	WiFi & BT	3G/LTE Slot
RICO-3568-A10-0001	Quad-Core Arm® Cortex®-A55 Processor	Android™ 12	2GB LPDDR4	16GB eMMC	GbE x 1	1 (RS-232) 1 (RS-232/422/485)	4	1 (HDMI) 1 (eDP) 1 (LVDS) 1 (MIPI)	802.11 a/b/g/n/ac BT 5.4 + EDR	1 (mPCIe Slot)
RICO-3568-A10-0002	Quad-Core Arm® Cortex®-A55 Processor	Android™ 12	4GB LPDDR4	16GB eMMC	GbE x 1	1 (RS-232) 1 (RS-232/422/485)	4	1 (HDMI) 1 (eDP) 1 (LVDS) 1 (MIPI)	802.11 a/b/g/n/ac BT 5.4 + EDR	1 (mPCIe Slot)
RICO-3568-A10-0003	Quad-Core Arm® Cortex®-A55 Processor	Android™ 12	8GB LPDDR4	32GB eMMC	GbE x 1	1 (RS-232) 1 (RS-232/422/485)	4	1(HDMI) 1(eDP) 1(LVDS) 1(MIPI)	802.11 a/b/g/n/ac BT 5.4 + EDR	1 (mPCIe Slot)
RICO-3568-B10-0001	Quad-Core Arm® Cortex®-A55 Processor	Android™ 12	4GB LPDDR4	16GB eMMC	GbE x 1	1 (RS-232) 1 (RS-232/422/485)	4	1(HDMI) 1(eDP) 1(LVDS)	802.11 a/b/g/n/ac BT 5.4 + EDR	1 (mPCIe Slot)

## Packing List

- RICO-3568
- MB Power Cable
- RTC Battery

# RICO-MX8P

Pico-ITX Fanless Board with NXP i.MX 8M Plus



## Features

- NXP i.MX 8M Plus
- Onboard LPDDR4 2GB/4GB/8GB (Optional)
- Onboard eMMC 16GB and Micro-SD Card Slot
- HDMI 2.0(Default), LVDS, MIPI (Optional)
- M.2 2230 E-Key Slot (WiFi/BT Module, Optional)
- GbE x 2 (Onboard x 1, Daughter Board x 1)
- USB 3.2 Gen 1 x 2 (Type-C OTG x 1, Type-A x 1)
- USB 2.0 x 1 (Type-A)
- RS-232/422/485 x 1, 2-wire RS232 x 1 ,Debug Port x 1
- 8-bit GPIO, I2C, mPCIe Slot x 1
- +12V DC Input
- 12~24V Input, PoE, CANBus x 2, USB 2.0 x 2 via PER-T650 Daughter board
- Debian 11 Support
- Small Board Size (100mm x 80mm)



## Specifications

System	
Form Factor	Pico-ITX Plus (100mm x 80mm)
CPU	NXP i.MX 8M Plus Quad-Core ARM® Cortex®-A53 Processor, 1.6GHz ARM® Cortex®-M7, 800MHz Processor for Low-Power Processing NPU: 2.3 TOPS (Optional)
GPU	GC7000 UltraLite: 3D GPU (2 shaders) OpenGL ES 3.1, Vulkan, OpenCL 1.2 GC520L: 2D GPU
Graphics	Video Processing Unit (VPU): 720p60 H.265, VP9 decoder 720p60 H.264, VP8 decoder 720p60 H.265, H.264 encoder
Memory Capacity	Onboard LPDDR4 2GB/4GB/8GB (Optional)
Storage/SSD	16GB eMMC and Micro-SD card
Operating System	Debian 11
Kernel	Kernel 5.10 (Debian 11)
Watchdog Timer	Integrated
Power Requirement	+12V DC Input
Power Consumption (Typical)	0.93A@12V, full load, Quad-Core CPU
Dimension	3.94" x 3.15" (100mm x 80mm)
Gross Weight	0.44 lb. (0.2Kg)
Operating Temperature	32°F ~ 140°F (0°C ~ 60°C)
Storage Temperature	-40°F ~ 176°F (-40°C ~ 80°C)
Operating Humidity	0% ~ 90% relative humidity, non-condensing
MTBF (Hours)	100,000
Certification	CE/FCC
Display	
HDMI	HDMI 2.0 (Type-A)
eDP	N/A
LVDS	4-Lane/8-Lane LVDS Interface JP2, 5V/12V: Backlight Power Selection JP3, 3.3V/5V: LVDS Power Selection LCD Backlight Connector
MIPI	4-Lane MIPI DSI Interface
RF Function	
WiFi	Supported via M.2 2230 E-Key (Optional, PCIe 3.0 [x1] I/F)
BT	Supported via M.2 2230 E-Key (Optional, PCIe 3.0 [x1] I/F)
I/O	
Ethernet	Onboard RJ45 GbE Port x 1 RJ45 GbE Port x 1 (via Daughter Board, T650 or T668)
USB Port	USB 3.2 Gen 1 x 2 (Type-C OTG x 1, Type-A x 1) USB 2.0 x 1 (Type-A)

Serial Port	RS-232/422/485 x 1 JP1, 5V/12V: RS-232/422/485 Voltage Output Selection COM Port Setting via S/W RS-232 Pin Header x 1 Debug Port x 1 UART x 2 (Tx/Rx Only)
Audio	Audio Combo Jack x 1 (3.5mm)
GPIO	GPIO x 8, 2x7P Wafer x 1
Expansion Slot	Full Size Mini-PCIe Slot x 1 (For LTE, USB I/F) 40-Pin FPC Connector x 1 (Connect to Daughter Board)
SIM Slot	Push-Push Nano-SIM Slot with Tray
SD Socket	Push-Push Micro-SD Card Slot x 1
Camera	4-Lane MIPI CSI Interface

## Packing List

- RICO-MX8P
- MB Power Cable
- RTC Battery

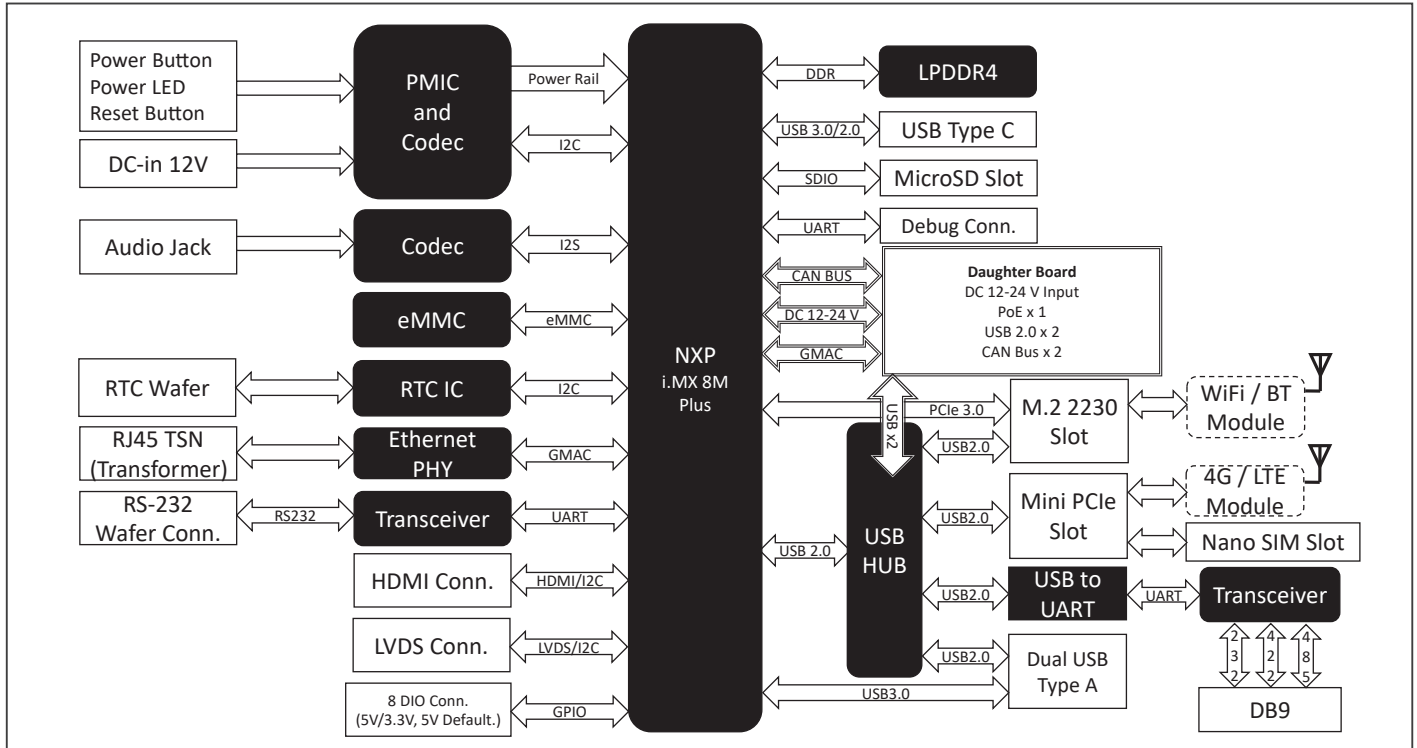
## Optional Accessories

Part Number	Description	Qty.
PER-T650-A10	12~24V Input, PoE x 1, CANBus x 2, USB 2.0 x 2	1
125530060Y	12V/60W Power Adaptor	1
1255300365	12V/36W Power Adaptor	1
9686Y00196	WiFi 5 Kit, Emwicon WMX6219	1

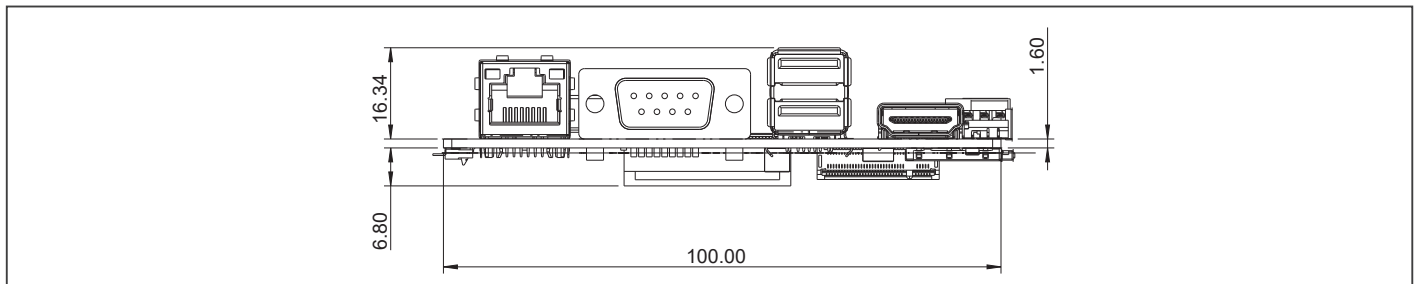




## Block Diagram



## Dimension Unit: mm

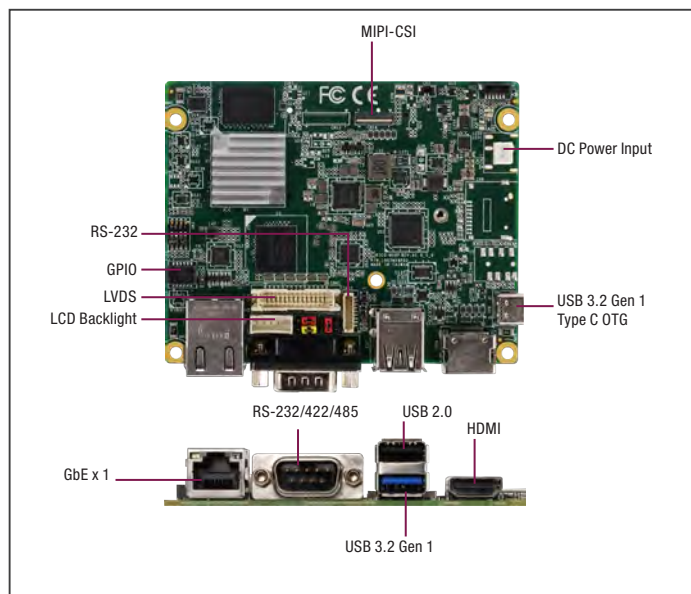


## Ordering Information

Part Number	CPU	OS	RAM	Storage	LAN	RS-232	USB	Display	WiFi & BT	3G/LTE Slot
RICO-MX8P-A10-0001	Quad-Core ARM® Cortex®-A53, 1.6GHz	Debian 11	2GB LPDDR4	16GB eMMC	GbE x 1	1 (RS-232) 1 (RS-232/422/485)	USB 3.2 Gen 1 x 2 USB 2.0 x 1	HDMI 2.0 x 1 LVDS x 1 MIPI DSI x 1	Via M.2 WiFi/BT module (Optional) (E Key)	1 (mPCIe Slot)
RICO-MX8P-A10-0002	Quad-Core ARM® Cortex®-A53, 1.6GHz	Debian 11	4GB LPDDR4	16GB eMMC	GbE x 1	1 (RS-232) 1 (RS-232/422/485)	USB 3.2 Gen 1 x 2 USB 2.0 x 1	HDMI 2.0 x 1 LVDS x 1 MIPI DSI x 1	Via M.2 WiFi/BT module (Optional) (E Key)	1 (mPCIe Slot)

# RICO-MX8PLITE PRELIMINARY

Pico-ITX Fanless Board with NXP i.MX 8M Plus



## Features

- NXP i.MX 8M Plus
- Onboard LPDDR4 2GB/4GB/8GB (Optional)
- Onboard eMMC 16GB (Default) / 32GB / 64GB
- HDMI (2.0), LVDS
- WiFi & BT via M.2 WiFi/BT Module (Optional)
- GbE: RJ45 x 1
- USB 3.2 Gen 1: Type C OTG x 1
- USB 3.2 Gen 1: Type A x 1, USB 2.0: Type A x 1
- RS-232/422/485 x 1, Debug Port x 1
- 8-bit GPIO, I2C, M.2 E-Key Slot x 1
- +12V DC Input
- OS Support: Debian 11 / Android 13 (4GB / 8GB RAM Version)
- Small Board Size: 100mm x 80mm



## Specifications

System	
Form Factor	Pico-ITX Plus (100mm x 80mm)
CPU	NXP i.MX 8M Plus Quad Cortex™-A53 1.6GHz Cortex™-M7 800MHz processor for low-power processing
GPU	GC7000UltraLite: 3D GPU (2 shaders) OpenGL ES 3.1, Vulkan, OpenCL 1.2 GC520L: 2D GPU
Graphics	Video Processing Unit (VPU): 720p60 H.265, VP9 decoder 720p60 H.264, VP8 decoder 720p60 H.265, H.264 encoder
Memory Capacity	Onboard LPDDR4 2GB/4GB/8GB (Optional)
Storage/SSD	16GB (Default) / 32GB / 64GB eMMC
Operating System	Debian 11 (Default) / Android 13
Kernel	Kernel 5.15 (Android 13)
Watchdog Timer	Integrated
Power Requirement	+12V DC input
Power Consumption (Typical)	0.93A@12V, full load, Quad-Core CPU
Dimension	3.94" x 3.15" (100mm x 80mm)
Gross Weight	0.44 lb (0.2 Kg)
Operating Temperature	32°F ~ 140°F (0°C ~ 60°C)
Storage Temperature	-40°F ~ 176°F
Operating Humidity	0% ~ 90% relative humidity, non-condensing
MTBF (Hours)	100,000
Certification	CE/FCC
Display	
HDMI	HDMI 2.0 (Type-A)
eDP	—
LVDS	4-lane or 8-lane LVDS interface JP3, 3.3V/5V: LVDS Power Selection LCD Backlight JP2, 5V/12V
MIPI	—
RF Function	
WiFi	Supported via M.2 2230 E-Key (Optional, PCIe 3.0 [x1] I/F)
BT	Supported via M.2 2230 E-Key (Optional, PCIe 3.0 [x1] I/F)
I/O	
Ethernet	Onboard RJ45 GbE Port x 1
USB Port	USB 3.2 Gen 1 x 2 (Type-C OTG x 1, Type-A x 1) USB 2.0 x 1 (Type-A)

Serial Port	RS-232/422/485 x 1 JP1, 5V/12V: RS-232/422/485 Voltage Output Selection COM Port Setting via S/W Debug Port x 1 UART x 2 (Tx/Rx Only)
Audio	—
GPIO	GPIO x 8, 2x7P Wafer x 1
Expansion Slot	—
SIM Slot	—
SD Socket	—
Camera	—

## Packing List

- RICO-MX8PLITE
- MB Power Cable
- RTC Battery
- Heatsink

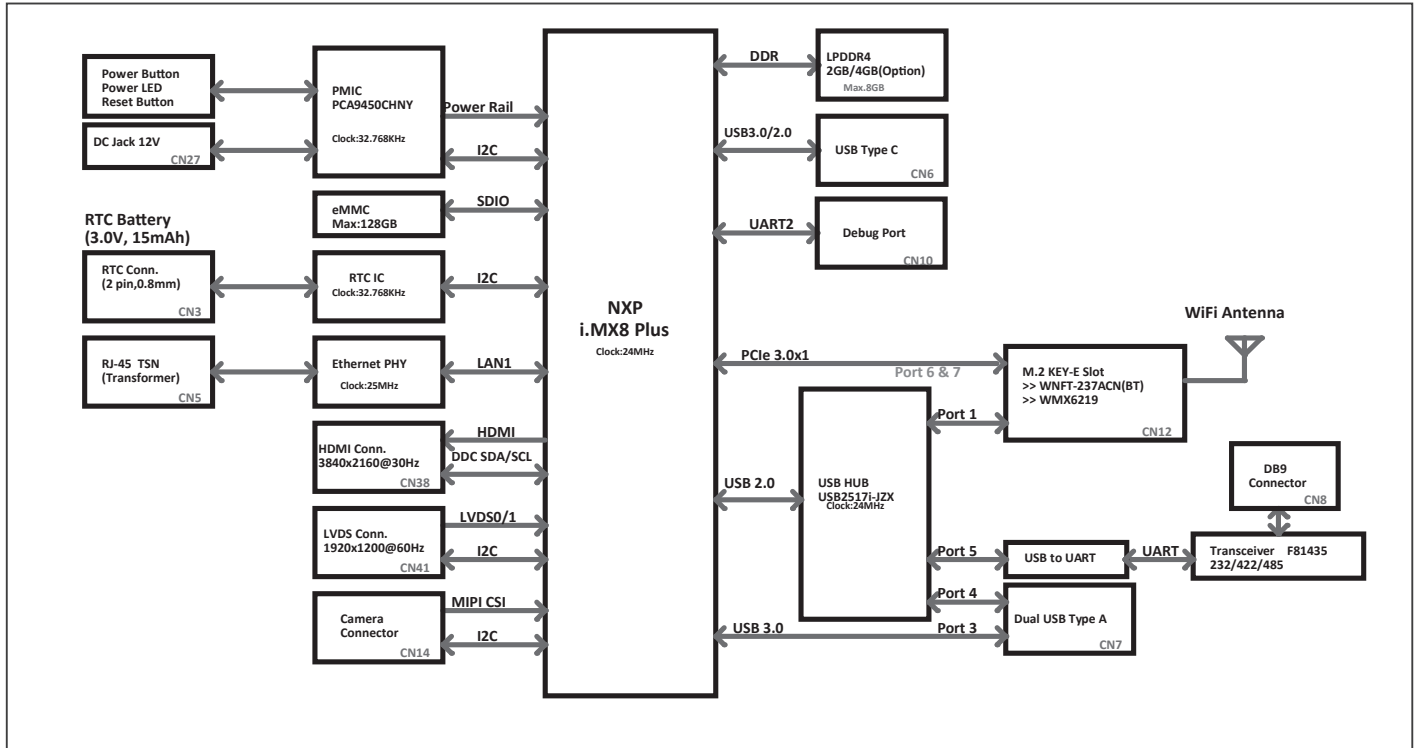
## Optional Accessories

Part Number	Description	Qty.
125530060Y	12V/60W Power Adaptor	1
1255300365	12V/36W Power Adaptor	1
9686Y00196	WiFi 5 Kit, Emwicon WMX6219	1



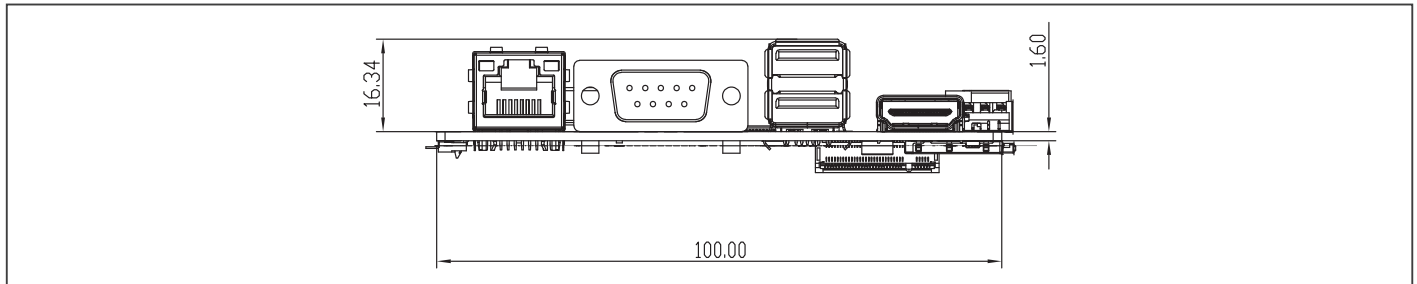


## Block Diagram



## Dimension

Unit: mm



## Ordering Information

Part Number	CPU	OS	RAM	Storage	LAN	RS-232	USB	Display	WiFi & BT
RICO-MX8PLITE-A10-0001	Quad-Core ARM® Cortex®-A53, 1.6GHz	Debian 11	2GB LPDDR4	16GB eMMC	GbE x 1	1 (RS-232/422/485)	USB 3.2 Gen 1 x 2 USB 2.0 x 1	HDMI 2.0 x 1 LVDS x 1	Via M.2 WiFi/BT module (Optional) (E Key)

# RICO-3568 Developer Kit

Developer Kit for RICO-3568



## Features

- Rockchip RK3568
- NPU: 0.8 TOPS
- Onboard LPDDR4 4GB
- Onboard eMMC 16GB and Micro-SD Card Slot
- HDMI 2.0, eDP 1.3, LVDS, MIPI
- Wi-Fi 802.11 a/b/g/n/ac, BT V5.0
- GbE x 2 (One located in Daughter board)
- USB 3.2 Gen 1: Type-C OTG x 1, Type A x 1
- USB 2.0: Type-A x 1, Pin Header x 1
- RS-232/422/485 x 1, RS-232 x 1, Debug Port x 1
- 8-bit GPIO, I2C, mPCIe Slot x 1 (mSATA/USB)
- +12V DC Input
- 12V-24V Input, PoE, CAN Bus x 1, USB 2.0 x 2 via Daughter board, PER-T650
- OS Support: Android™ 12/Debian® 10
- Small Board Size: 100mm x 80mm
- 10.1" WXGA (1280 x 800) Color TFT LCD Display with P-CAP

## Specifications

System	
Form Factor	Pico-ITX Plus (100mm x 80mm)
CPU	Rockchip RK3568 Quad-Core Arm® Cortex®-A55 Processor NPU: 0.8 TOPS
GPU	Arm® Mali™-G52 GPU
Graphics	Video Encode: 1080P @60fps H.264/H.265 Video Decode: 4K@60fps H.264/H.265/AV1 4KP60 AVS2/VP9 1080P MPEG1/VP8
Memory Capacity	Onboard LPDDR4 4GB
Storage/SSD	16GB eMMC and Micro-SD card Full-size mini-PCIe slot x 1 (mSATA / USB)
Operating System	Android™ 12 Debian® 10
Kernel	Kernel 4.19.219 (Android 12)
Watchdog Timer	Integrated
Power Requirement	+12V DC input AT: Default, ATX: Optional
Power Consumption (Typical)	0.96A @12V, full load, Quad-core CPU
Dimension	Board: 3.94" x 3.15" (100mm x 80mm) Kit: 15.75" x 13.19" x 5.51" (400mm x 335mm x 140mm)
Gross Weight	Board: 0.44 lb (0.2 Kg) Kit: 7.72 lb (3.5kg)
Operating Temperature	-4°F ~ 140°F (-20°C ~ 60°C)
Storage Temperature	-40°F ~ 176°F (-40°C ~ 80°C)
Operating Humidity	0% ~ 90% relative humidity, non-condensing
MTBF (Hours)	100,000
Certification	CE/FCC
Display	
HDMI	HDMI 2.0, up to 4K x 2K @60Hz
eDP	eDP 1.3, up to 2560 x 1600 @60Hz
LVDS	7" WSVGA (1024 x 600) Color TFT LCD Display 10.1" WXGA (1280 x 800) Color TFT LCD Display 18/24-bit LVDS, up to 1280 x 800 @60Hz JP2, 3.3V/5V: LVDS Power Selection JP3, 5V/12V: Backlight Power Selection LCD Backlight connector
MIPI	Up to 2048 x 1536 @60Hz for Dual-MIPI Mode



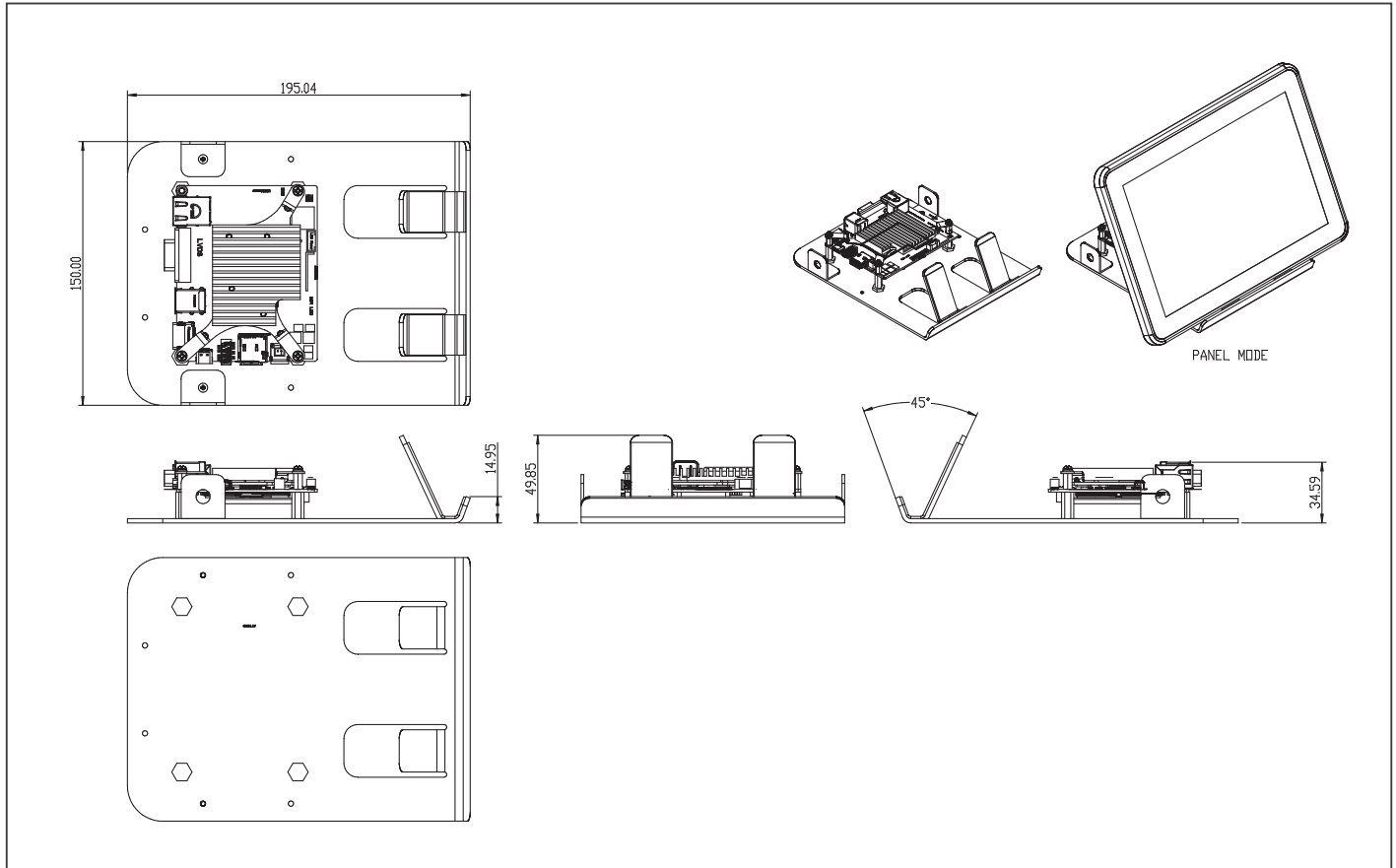
RF Function	
WiFi	Onboard 802.11 a/b/g/n/ac ANT1 for Antenna
BT	Bluetooth V5.0 + EDR
I/O	
Ethernet	GbE x 2 RJ-45 x 2 (Onboard x 1 + T650 Daughter Board RJ-45 Port or T650 Wide-Voltage Board RJ-45 Port)
USB Port	USB 3.2 Gen 1 OTG (Type-C) x 1 USB 3.2 Gen 1 x 1 USB 2.0 x 2 (Type-A x 1, Pin Header with Integrated USB, I2C, 5V x 1)
Serial Port	RS-232/422/485 x 1 JP1, 5V/12V: RS-232/422/485 Voltage Output Selection RS-232 / Debug port 7-pin wafer x 1 CN3: UART (Tx/Rx only), I2C, USB, Others
Audio	Microphone/ Earphone (3.5mm)
GPIO	GPIO x 8, 2x6 Wafer x 1
Expansion Slot	Full-size mini-PCIe slot x 1 (mSATA / USB) Connect to Daughter board: 40-pin FPC connector x 1
SIM Slot	Nano-SIM, Push-Push type with tray
SD Socket	Micro-SD card, Push-Push type
Camera	—





## Dimension

Unit: mm



## Packing List

- **RICO-3568**
- **125530060Y**  
12V/60W Power Adapter
- **170X000799**  
Power Cord for US
- **TS58101033**  
10" P-CAP TOUCH PANEL
- **TS070X0004**  
7" P-CAP TOUCH PANEL

## Ordering Information

- **RICO-3568-DK-001**  
RICO-3568 10" Developer Kit
- **RICO-3568-DK-000**  
RICO-3568 7" Developer Kit

# PER-T650 PRELIMINARY

I/O Module with 12V~24V Input, PoE x 1, CANBus x 2, USB 2.0 x 2

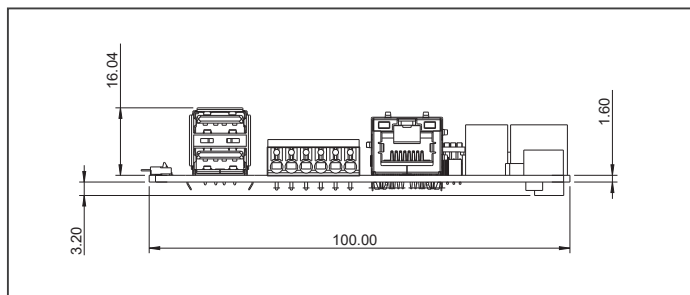


## Features

- POE: Supports 802.3at
- CANBus x 2 (For RICO-3568 x 1)
- Wide-Voltage Input: 12V~24V
- USB 2.0 x 2
- Battery Charger (Reserved)
- Small Size: 3.9" x 3.1" (100mm x 80mm)

## Dimension

Unit: mm



## Ordering Information

- **PER-T650-A02**  
12V~24V Input, PoE x 1, CANBus x 2, USB 2.0 x 2



ES France - Mobilité & Systèmes Embarqués  
127 rue de Buzenval BP 26 - 92380 Garches



Tél. 01 47 95 99 80



e-mail : [mse@es-france.com](mailto:mse@es-france.com)  
Site Web : [www.es-france.com](http://www.es-france.com)

# 03



ES France - Mobilité & Systèmes Embarqués  
127 rue de Buzenval BP 26 - 92380 Garches



Tél. 01 47 95 99 80



e-mail : [mse@es-france.com](mailto:mse@es-france.com)  
Site Web : [www.es-france.com](http://www.es-france.com)

# 03

## RISC Boxes



ES France - Mobilité & Systèmes Embarqués  
127 rue de Buzenval BP 26 - 92380 Garches



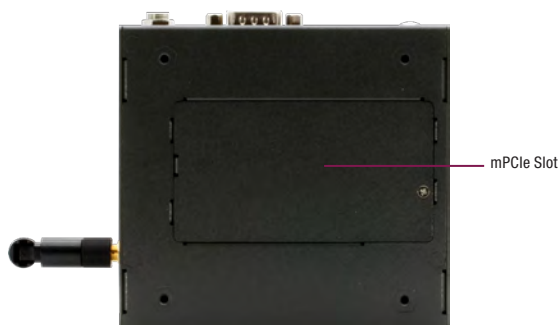
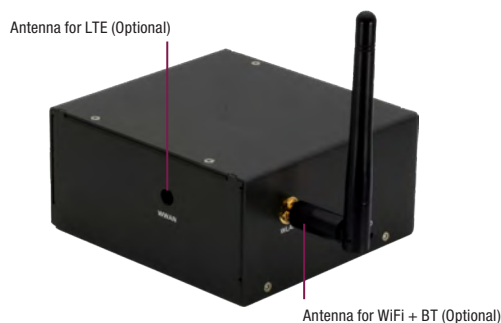
Tél. 01 47 95 99 80



e-mail : [mse@es-france.com](mailto:mse@es-france.com)  
Site Web : [www.es-france.com](http://www.es-france.com)

# BOXER-RK88

Fanless Embedded Box PC with Rockchip RK3288



## Features

- Rockchip RK3288
- DDR3L 2GB/4GB (Optional)
- eMMC 16GB and Micro-SD Card Slot
- HDMI (1.4) Port x 1
- WiFi 802.11 b/g/n, BT V4.2
- GbE: RJ45 x 1
- USB 2.0: Micro-USB OTG x 1, Type A x 2
- RS-232/422/485 x 1, RS-232 x 1 (Optional)
- mPCIe Slot x 1
- +12V DC Input
- OS Support: Android 9.0 / Debian 10
- Compact Size (W x D x H): 103.4 mm x 96 mm x 50 mm

## Specifications

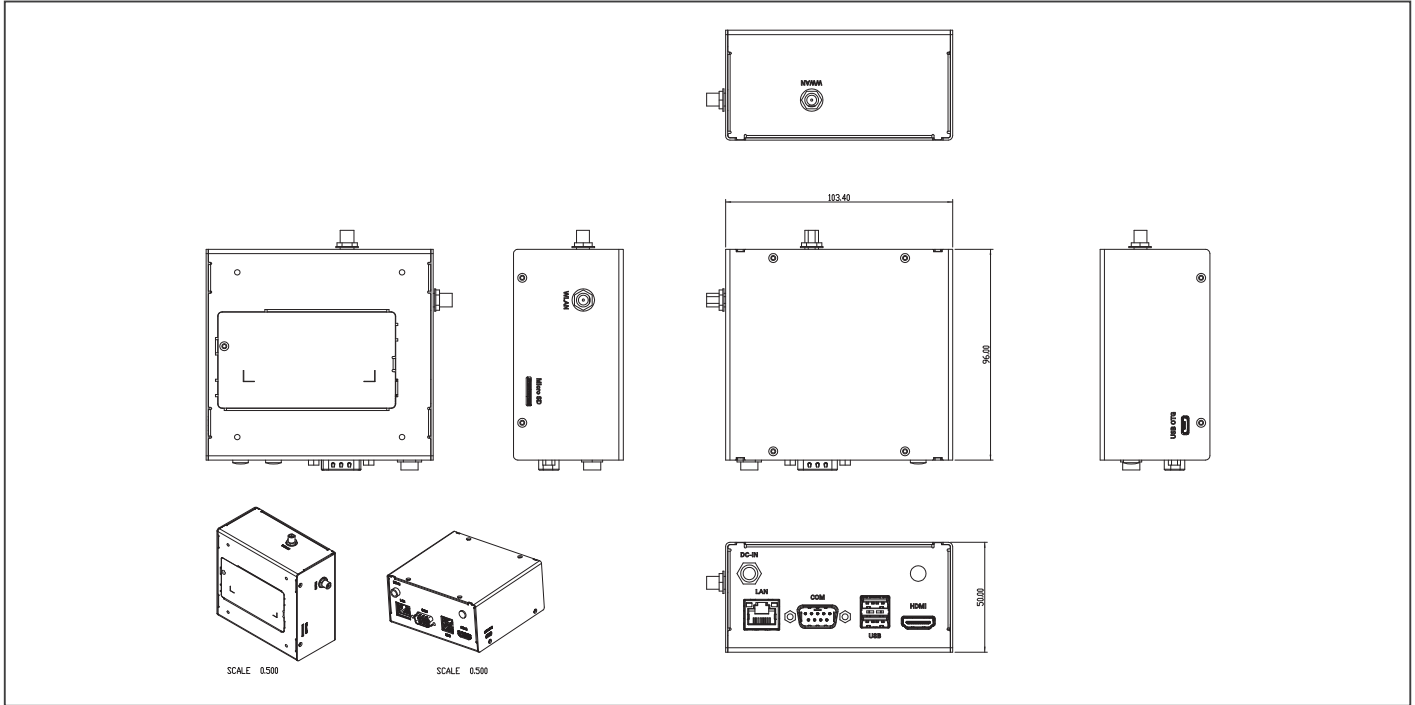
System	
CPU	Rockchip RK3288 ARM Cortex™-A17 Quad-core 1.6GHz
GPU	Mali-T764
Chipset	—
Graphics	Video Decode: MPEG-1, MPEG-2, MPEG-4, H.263, H.264, AVS, VC-1, VP8, MVC Video Encode: H.264 (BP@level4.0, MP@level4.0, HP@level4.0), MVC and VP8
System Memory	DDR3L 2GB/4GB (Optional)
Display Interface	HDMI (1.4)
Storage/SSD	16GB eMMC and Micro-SD card
I/O	Micro-SD Card Slot x 1 HDMI (1.4) Port x 1 Antenna Connector for WiFi 802.11 b/g/n, BT V4.2 Antenna Connector for LTE (Optional) GbE: RJ45 x 1 USB 2.0: Micro-USB OTG x 1, Type A x 2 RS-232/422/485 x 1, RS-232 x 1 (Optional)
Expansion	mPCIe Slot x 1 for LTE module
Indicator	Power LED x 1
OS Support	Android 9.0 / Debian 10
Power Supply	
Power Requirement	+12V DC input
Mechanical	
Mounting	VESA mount, 75mm x 75mm
Dimension (W x D x H)	4.07" x 3.78" x 1.97" (103.4 mm x 96 mm x 50 mm)
Gross Weight	1.1 lb (0.5 Kg)
Net Weight	0.66 lb (0.3 Kg)
Environmental	
Operating Temperature	32°F ~ 140°F (0°C ~ 60°C)
Storage Temperature	-40°F ~ 176°F (-40°C ~ 80°C)
Storage Humidity	0% ~ 90% relative humidity, non-condensing
Anti-Vibration	—
Certification	CE/FCC/IC





## Dimension

Unit: mm



## Packing List

- BOXER-RK88
- 125530060Y  
12V / 60W Power Adapter

## Optional Accessories

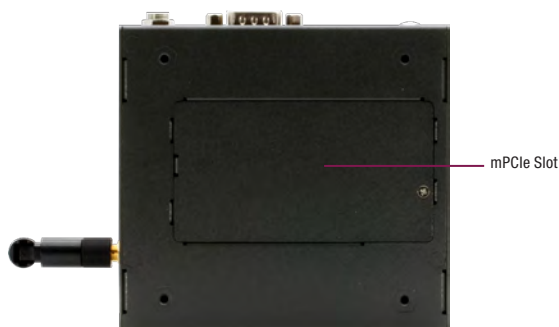
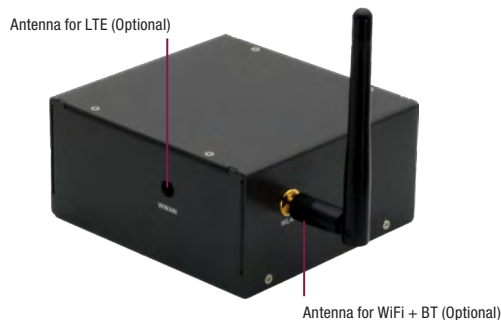
- 175990001X  
WiFi 2.4GHz, External Antenna
- 9741EG2560  
EG25-G, W/ SIM Card Holder, RF Cable, External Antenna
- M04BIBX000  
Wall-mount Plate

## Ordering Information

Part Number	CPU	OS	RAM	Storage	LAN	RS-232	USB	Display	WiFi & BT	3G/LTE Slot
BOXER-RK88-A11-0001	ARM Cortex-A17 1.6GHz	Android 9.0	2GB DDR3L	16GB eMMC	GbE x 1	1 (RS-232/422/485)	3	1 (HDMI)	802.11 b/g/n BT 4.2 + EDR	1 (mPCIe Slot)

# BOXER-RK99

Fanless Embedded Box PC with Rockchip RK3399



## Features

- Rockchip RK3399
- LPDDR3 2GB/4GB (Optional)
- eMMC 16GB and Micro-SD Card Slot
- HDMI (2.0) Port x 1
- WiFi 802.11 b/g/n, BT V4.2
- GbE: RJ45 x 1
- USB 3.2 Gen 1: Type C OTG x 1, Type A x 1
- USB 2.0: Type A x 1
- RS-232/422/485 x 1, RS-232 x 1 (Optional)
- mPCIe Slot x 1
- +12V DC Input
- OS Support: Android 8.1 / Debian 10
- Compact Size (W x D x H): 103.4 mm x 96 mm x 50 mm

## Specifications

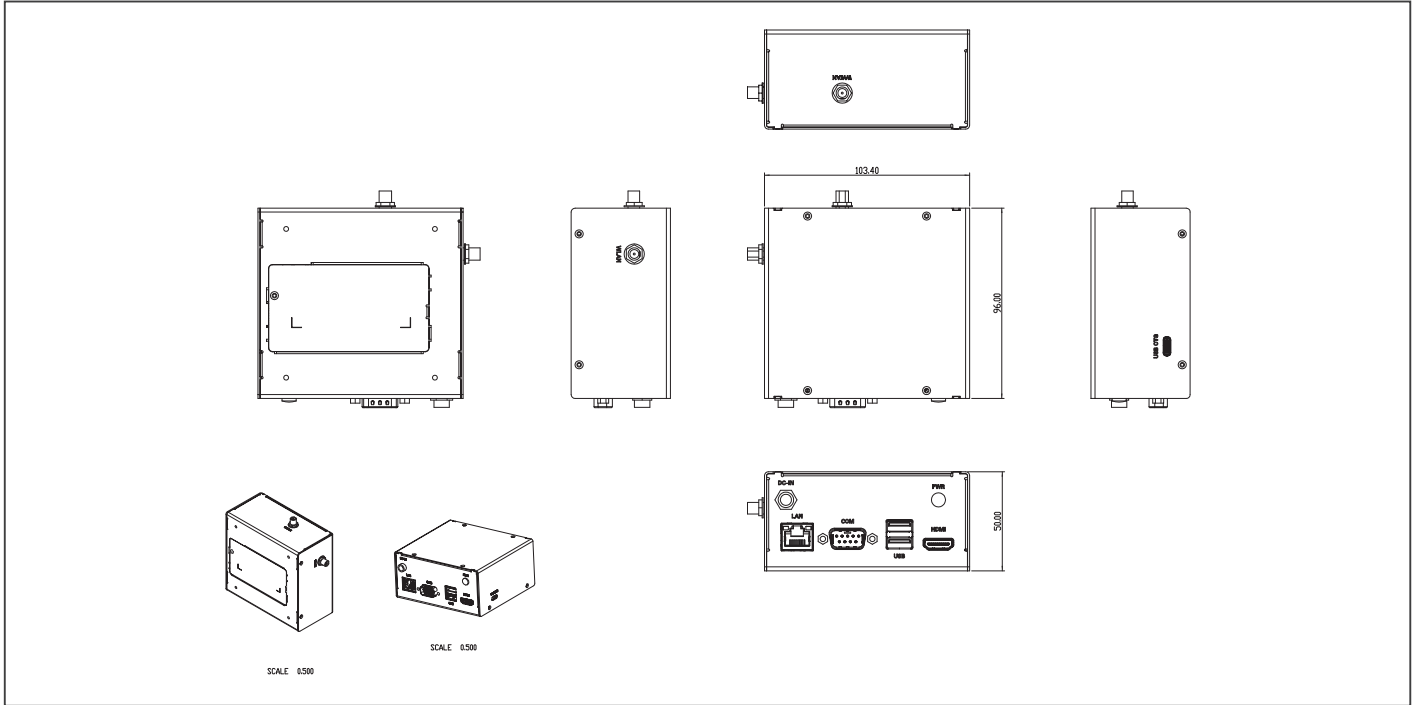
System	
CPU	Rockchip RK3399 ARM Cortex™-A72 Dual-core 1.8GHz and Cortex™-A53 Quad-core 1.4GHz
GPU	Mali-T864
Chipset	—
Graphics	Video Decode: MPEG-1, MPEG-2, MPEG-4, H.263, H.264, H.265, VC-1, VP8, VP9, MVC Video Encode: H.264 UP to HP@level4.1, MVC and VP8
System Memory	LPDDR3 2GB/4GB (Optional)
Display Interface	HDMI (2.0) up to 4K x 2K @ 60Hz
Storage/SSD	16GB eMMC and Micro-SD card
I/O	Micro-SD Card Slot x 1 HDMI (2.0) Port x 1 Antenna Connector for WiFi 802.11 b/g/n, BT V4.2 Antenna Connector for LTE (Optional) GbE: RJ45 x 1 USB 3.2 Gen 1: Type C OTG x 1, Type A x 1 USB 2.0: Type A x 1 RS-232/422/485 x 1, RS-232 x 1 (Optional)
Expansion	mPCIe Slot x 1 for LTE module
Indicator	Power LED x 1
OS Support	Android 8.1 / Debian 10
Power Supply	
Power Requirement	+12V DC input
Mechanical	
Mounting	VESA mount, 75mm x 75mm
Dimension (W x D x H)	4.07" x 3.78" x 1.97" (103.4 mm x 96 mm x 50 mm)
Gross Weight	1.1 lb (0.5 Kg)
Net Weight	0.66 lb (0.3 Kg)
Environmental	
Operating Temperature	32°F ~ 140°F (0°C ~ 60°C)
Storage Temperature	-40°F ~ 176°F (-40°C ~ 80°C)
Storage Humidity	0% ~ 90% relative humidity, non-condensing
Anti-Vibration	—
Certification	CE/FCC/IC





## Dimension

Unit: mm



## Packing List

- BOXER-RK99
- 125530060Y  
12V / 60W Power Adapter

## Optional Accessories

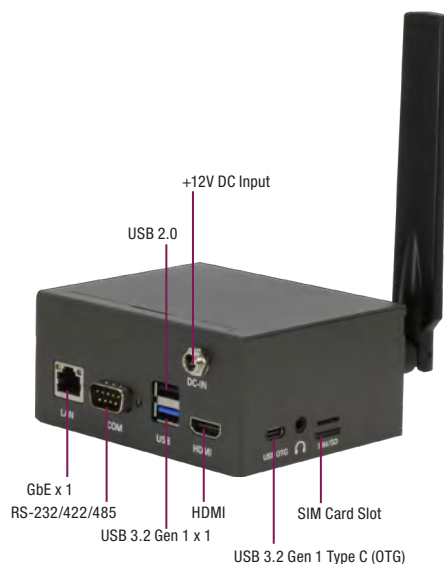
- 175990001X  
WiFi 2.4GHz, External Antenna
- M04BIBX000  
Wall-mount Plate
- 9741EG2560  
EG25-G, W/ SIM Card Holder, RF Cable, External Antenna

## Ordering Information

Part Number	CPU	OS	RAM	Storage	LAN	RS-232	USB	Display	WiFi & BT	3G/LTE Slot
BOXER-RK99-A10-0001	ARM Dual Cortex-A72 + Quad Cortex-A53	Android 8.1	2GB LPDDR3	16GB eMMC	GbE x 1	1 (RS-232/422/485)	3	1 (HDMI)	802.11 a/b/g BT4.2 + EDR	1 (mPCIe Slot)

# BOXER-RK3568 PRELIMINARY

Fanless Embedded Box PC with Rockchip RK3568



## Features

- Rockchip RK3568
- LPDDR4 2GB/4GB/8GB (Optional)
- eMMC 16GB and Micro-SD Card Slot
- HDMI 2.0 Port x 1
- WiFi 802.11 b/g/n, BT V5.0
- GbE: RJ45 x 1
- USB 3.2 Gen 1: Type C OTG x 1, Type A x 1
- USB 2.0: Type A x 1
- RS-232/422/485 x 1, RS-232 x 1 (Optional)
- mPCIe Slot x 1 (mSATA / USB)
- +12V DC Input
- OS Support: Android 12, Debian 10 (Optional)
- Compact Size (W x D x H): 106.5 mm x 85.6 mm x 50 mm

## Specifications

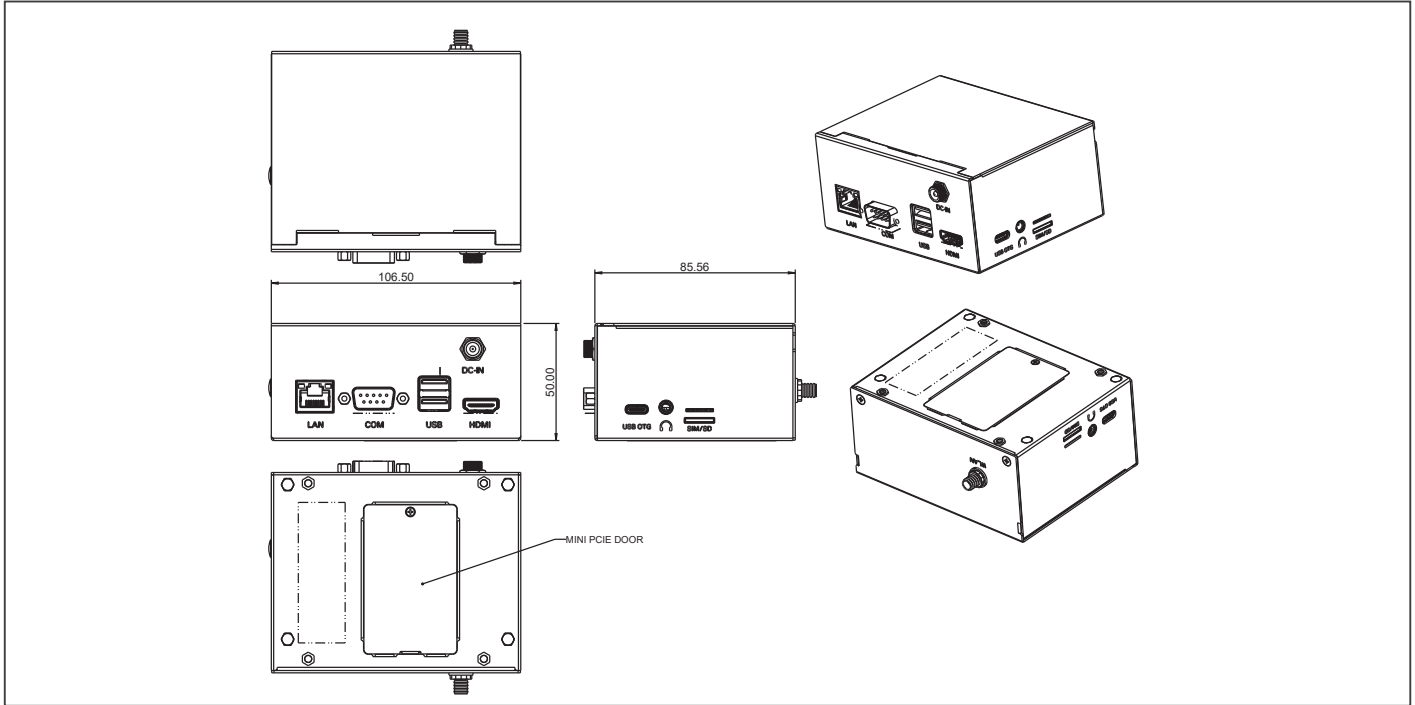
System	
CPU	Rockchip RK3568 ARM Cortex™-A55 Quad-core
GPU	Mali-G52
Chipset	NPU: 0.8 TOPS
Graphics	Video Encode: 1080P@60fps H.264/H.265 Video Decode: 4K@60fps H.264/H.265/AV1 4KP60 AVS2/VP9 1080P MPEG1/VP8
System Memory	LPDDR4 2GB/4GB/8GB (Optional)
Display Interface	HDMI (2.0)
Storage/SSD	16GB eMMC and Micro-SD card
I/O	Micro-SD Card Slot x 1 HDMI (2.0) Port x 1 Antenna Connector for WiFi 802.11 b/g/n, BT V5.0 Antenna Connector for LTE (Optional) GbE: RJ45 x 1 USB 3.2 Gen 1: Type C OTG x 1, Type A x 1 USB 2.0: Type A x 1 RS-232/422/485 x 1, RS-232 x 1 (Optional) SIM Card Slot x 1
Expansion	mPCIe Slot x 1 (mSATA / USB) for LTE module
Indicator	Power LED x 1
OS Support	Android 12, Debian 10 (Optional)
Power Supply	
Power Requirement	+12V DC input
Mechanical	
Mounting	VESA mount, 75mm x 75mm
Dimension (W x D x H)	4.2" x 3.37" x 1.97" (106.5 mm x 85.6 mm x 50 mm)
Gross Weight	1.1 lb (0.5 Kg)
Net Weight	0.66 lb (0.3 Kg)
Environmental	
Operating Temperature	32°F ~ 140°F (0°C ~ 60°C)
Storage Temperature	-40°F ~ 176°F (-40°C ~ 80°C)
Storage Humidity	0% ~ 90% relative humidity, non-condensing
Anti-Vibration	—
Certification	CE/FCC





## Dimension

Unit: mm



## Packing List

- BOXER-RK3568
- 125530060Y  
12V / 60W Power Adapter

## Optional Accessories

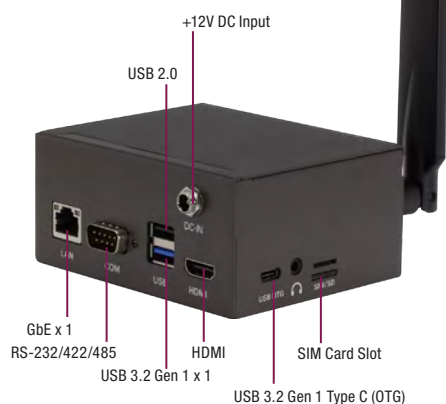
- 170X000399  
WiFi 6, 2.4GHz/5GHz/6GHz, External Antenna
- M04BIBX000  
Wall-mount Plate
- 9741EG2560  
EG25-G, W/ SIM Card Holder, RF Cable, External Antenna

## Ordering Information

Part Number	CPU	OS	RAM	Storage	LAN	RS-232	USB	Display	WiFi & BT	3G/LTE Slot
BOXER-RK3568-A10-0001	ARM Cortex-A17 1.6GHz 144RK32882	Android 12	2GB LPDDR4	16GB eMMC	GbE x 1	1 (RS-232/422/485)	3	1 (HDMI)	802.11 b/g/n BT 5.0 + EDR	1 (mPCIe Slot)
BOXER-RK3568-A10-0002	ARM Cortex-A17 1.6GHz 144RK32882	Android 12	4GB LPDDR4	16GB eMMC	GbE x 1	1 (RS-232/422/485)	3	1 (HDMI)	802.11 b/g/n BT 5.0 + EDR	1 (mPCIe Slot)

# BOXER-MX8P PRELIMINARY

Fanless Embedded Box PC with NXP i.MX 8M Plus



## Features

- NXP i.MX 8M Plus
- LPDDR4 2GB/4GB/8GB (Optional)
- eMMC 16GB and Micro-SD Card Slot
- HDMI 2.0 Port x 1
- WiFi 802.11 b/g/n, BT V5.0
- GbE: RJ45 x 1
- USB 3.2 Gen 1: Type C OTG x 1, Type A x 1
- USB 2.0: Type A x 1
- RS-232/422/485 x 1, RS-232 x 1 (Optional)
- mPCIe Slot x 1 (USB)
- +12V DC Input
- OS Support: Debian 11 / Android 13
- Compact Size (W x D x H): 106.5 mm x 85.6 mm x 50 mm

## Specifications

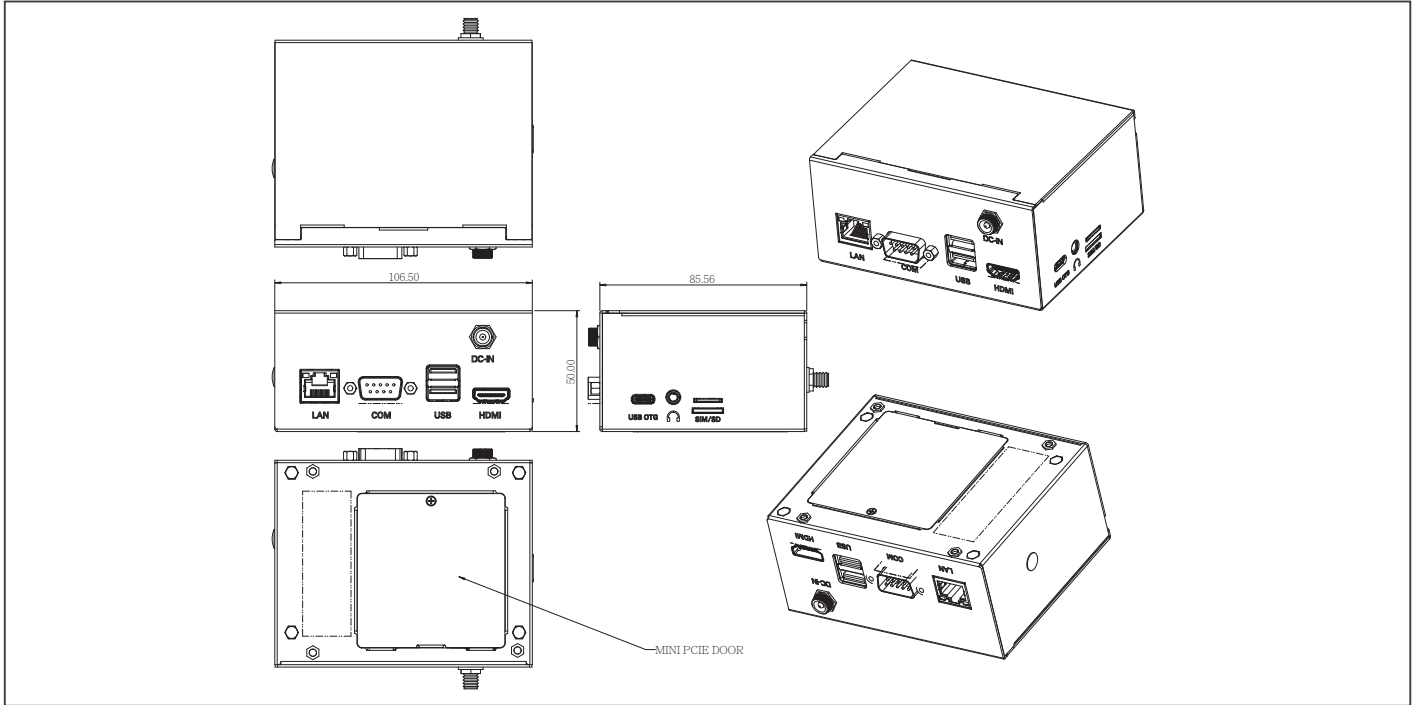
System	
CPU	NXP i.MX 8M Plus Quad Cortex™-A53 1.6GHz Cortex™-M7 800MHz processor for low-power processing
GPU	GC7000UltraLite: 3D GPU (2 shaders) OpenGL ES 3.1, Vulkan, OpenCL 1.2 GC520L: 2D GPU
Chipset	NPU: 2.3 TOPS
Graphics	Video Processing Unit (VPU): • 1080p60 H.265, VP9 decoder • 1080p60 H.264, VP8 decoder • 1080p60 H.265, H.264 encoder
System Memory	LPDDR4 2GB/4GB/8GB (Optional)
Display Interface	HDMI (2.0)
Storage/SSD	16GB eMMC and Micro-SD card
I/O	Micro-SD Card Slot x 1 HDMI (2.0) Port x 1 Antenna Connector for WiFi 802.11 b/g/n, BT V5.0 Antenna Connector for LTE (Optional) GbE: RJ45 x 1 USB 3.2 Gen 1: Type C OTG x 1, Type A x 1 USB 2.0: Type A x 1 RS-232/422/485 x 1, RS-232 x 1 (Optional) SIM Card Slot x 1
Expansion	mPCIe Slot x 1 (USB) for LTE module
Indicator	Power LED x 1
OS Support	Debian 11, Android 13 (Optional)
Power Supply	
Power Requirement	+12V DC input
Mechanical	
Mounting	VESA mount, 75mm x 75mm
Dimension (W x D x H)	4.2" x 3.37" x 1.97" (106.5 mm x 85.6 mm x 50 mm)
Gross Weight	1.1 lb (0.5 Kg)
Net Weight	0.66 lb (0.3 Kg)
Environmental	
Operating Temperature	32°F ~ 140°F (0°C ~ 60°C)
Storage Temperature	-40°F ~ 176°F (-40°C ~ 80°C)
Storage Humidity	0% ~ 90% relative humidity, non-condensing
Anti-Vibration	—
Certification	CE / FCC





## Dimension

Unit: mm



## Packing List

- BOXER-MX8P
- 125530060Y  
12V / 60W Power Adapter

## Optional Accessories

- 170X000399  
WiFi 6, 2.4GHz/5GHz/6GHz, External Antenna
- M04BIBX000  
Wall-mount Plate
- 9741EG2560  
EG25-G, W/ SIM Card Holder, RF Cable, External Antenna

## Ordering Information

Part Number	CPU	OS	RAM	Storage	LAN	RS-232	USB	Display	WiFi & BT	3G/LTE Slot
BOXER-MX8P-A10-0001	Quad-Core ARM® Cortex®-A53, 1.6GHz	Debian 11	2GB LPDDR4	16GB eMMC	GbE x 1	1 (RS-232/422/485)	3	1 (HDMI)	802.11 b/g/n BT 5.0 + EDR	1 (mPCIe Slot)
BOXER-MX8P-A10-0002	Quad-Core ARM® Cortex®-A53, 1.6GHz	Andriod 13	4GB LPDDR4	16GB eMMC	GbE x 1	1 (RS-232/422/485)	3	1 (HDMI)	802.11 b/g/n BT 5.0 + EDR	1 (mPCIe Slot)

# 04



ES France - Mobilité & Systèmes Embarqués  
127 rue de Buzenval BP 26 - 92380 Garches



Tél. 01 47 95 99 80



e-mail : [mse@es-france.com](mailto:mse@es-france.com)  
Site Web : [www.es-france.com](http://www.es-france.com)

# 04

## All in One Panel PC Solutions



ES France - Mobilité & Systèmes Embarqués  
127 rue de Buzenval BP 26 - 92380 Garches



Tél. 01 47 95 99 80

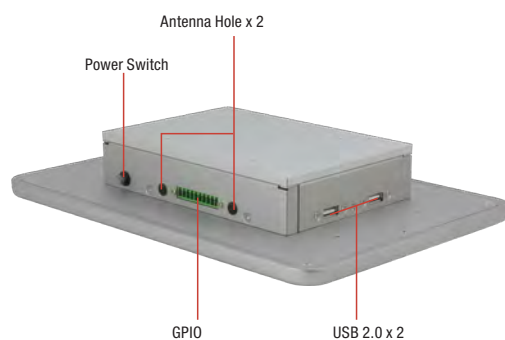


e-mail : [mse@es-france.com](mailto:mse@es-france.com)  
Site Web : [www.es-france.com](http://www.es-france.com)

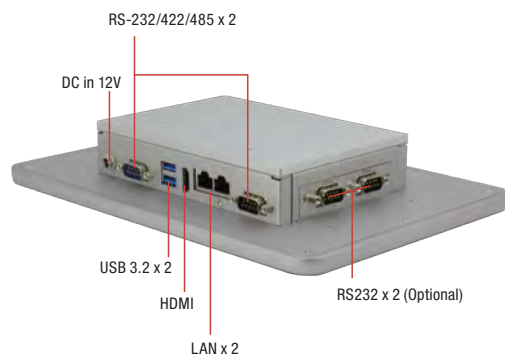
Front View



Top View



Bottom View



## Features

- 10" WXGA (1280 x 800) Color TFT LCD Display
- Intel® Processor N-series Processors
- Projected Capacitive Multi Touch
- IP65 Compliant Aluminum Front Bezel
- VESA Mount/Built-in Panel Mount Bracket
- Fanless System
- 12V DC Jack



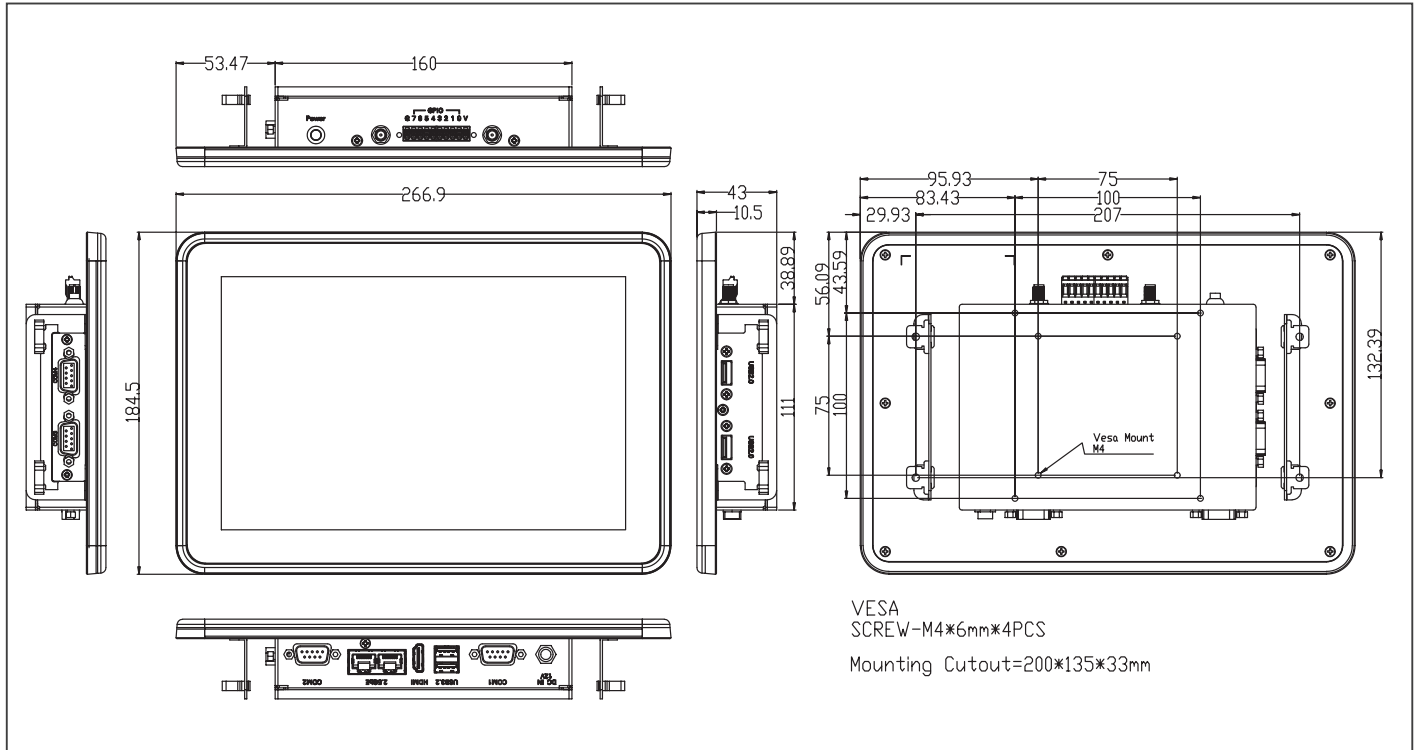
System	
Processor	Intel® Processor N50 Intel® Processor N97 *Turbo Mode is disabled by default. If enabling it, please ensure the system in a well-ventilated area.
System Memory	DDR5 4800MHz SODIMM x 1, up to 32GB
LCD/CRT controller	CPU Integrated
Ethernet	Intel® Ethernet Controller I226 GbE x 2
I/O Port	USB 3.2 x 2 USB 2.0 x 2 via Cables DB-9 x 2 for RS-232/422/485 (Set By BIOS) DB-9 x 2 for RS-232 (Optional) HDMI 1.4b x 1 2.5GbE x 2 12V DC Jack, 9~36V (Optional) 8-bit GPIO x 1 Power on/off Switch with LED Light x 1
Storage Disk Drive	Full size mPCIe (PCIe [x1]/SATA)
Expansion Slot	M.2 3052 B-Key x 1 with Nano SIM M.2 2230 E-Key x 1
OS support	Windows® 10 IoT Enterprise LTSC 2021 Windows® 10/11
Mechanical	
Construction	Aluminum Front Bezel + Metal Chassis
Mounting	Panel Mount/VESA Mount (VESA 100)
Dimension	10.5" x 7.26" x 1.69" (266.9mm x 184.5mm x 43 mm)
Carton Dimension	13.3" x 10.2" x 5.9" (339mm x 260mm x 152mm)
Gross Weight	3.3 lb. (1.5Kg)
Environmental	
Operating Temperature	23°F ~ 122°F (-5°C ~ 50°C) with 0.5 m/s airflow
Storage Temperature	-4°F ~ 158°F (-20°C ~ 70°C)
Storage Humidity	90% @40°C; non-condensing
Vibration	1Grm s/5~500Hz/ operation - with mSATA
Shock	15 G peak acceleration (11 m sec. duration) with mSATA
EMC	CE/FCC Class A Compatible
Power Supply	
DC Input	DC 12V
LCD	
Display Type	10.1" TFT-LCD, LED
Max Resolution	1280 x 800
Max. Colors	262k
Luminance	300 cd/m <sup>2</sup>
Viewing Angle	170° (H), 170° (V)
Back Light	LED
Back Light MTBF (Hours)	25,000 Hrs
Touchscreen	
Type	Projected Capacitive Multi-Touch
Light Transmission	90%





## Dimension

Unit: mm



## Packing List

- ACP-2106
- Panel Mount
- Screw Pack
- 125530060Y  
12V 60W Power Adapter

## Optional Accessories

Part Number	Description
170X000799	Power Cord (US Type)
170X001024	Power Cord (European Type)
170X000803	Power Cord (Japanese Type)
M041073020	Stand Kit

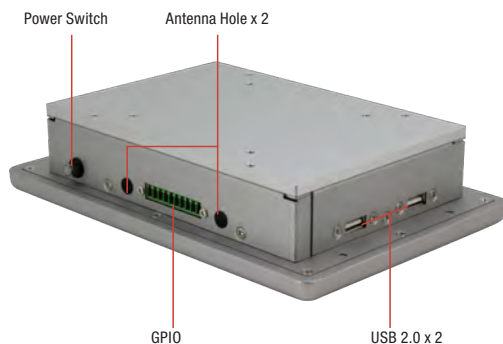
## Ordering Information

Part Number	Display Type	Resolution	Luminance	View Angle	Backlight MTBF	CPU	LAN	USB 3.2	USB 2.0	RS-232	RS-232/422/485	Storage	RAM	Display	Expansion	Mounting	Power	Temp	Touch
ACP-2106HTT-A1-1010	10.1" TFT-LCD	1280 x 800	300 cd/m <sup>2</sup>	170° (H), 170° (V)	25,000 Hrs	Intel® Processor N50	2.5GbE x 2	2	2	2 (Optional)	2	Full size mPCIe (PCIe [x1]/SATA)	DDR5, up to 32GB	HDMI x 1	M.2 3052 B-Key x 1 M.2 2230 E-Key x 1	Panel Mount/VESA Mount	DC 12V	23°F ~ 122°F (-5°C ~ 50°C) with airflow	PCAP T/S
ACP-2106HTT-A2-1010	10.1" TFT-LCD	1280 x 800	300 cd/m <sup>2</sup>	170° (H), 170° (V)	25,000 Hrs	Intel® Processor N97	2.5GbE x 2	2	2	2 (Optional)	2	Full size mPCIe (PCIe [x1]/SATA)	DDR5, up to 32GB	HDMI x 1	M.2 3052 B-Key x 1 M.2 2230 E-Key x 1	Panel Mount/VESA Mount	DC 12V	23°F ~ 122°F (-5°C ~ 50°C) with airflow	PCAP T/S

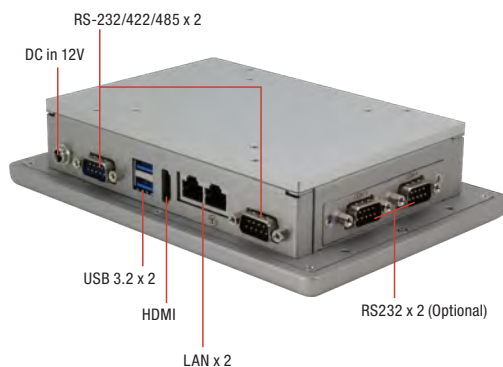
Front View



Top View



Bottom View



## Features

- 7" WSVGA (1024 x 600) Color TFT LCD Display
- Intel® Processor N-series Processors
- Projected Capacitive Multi Touch
- IP65 Compliant Aluminum Front Bezel
- VESA Mount/Built-in Panel Mount Bracket
- Fanless System
- 12V DC Jack



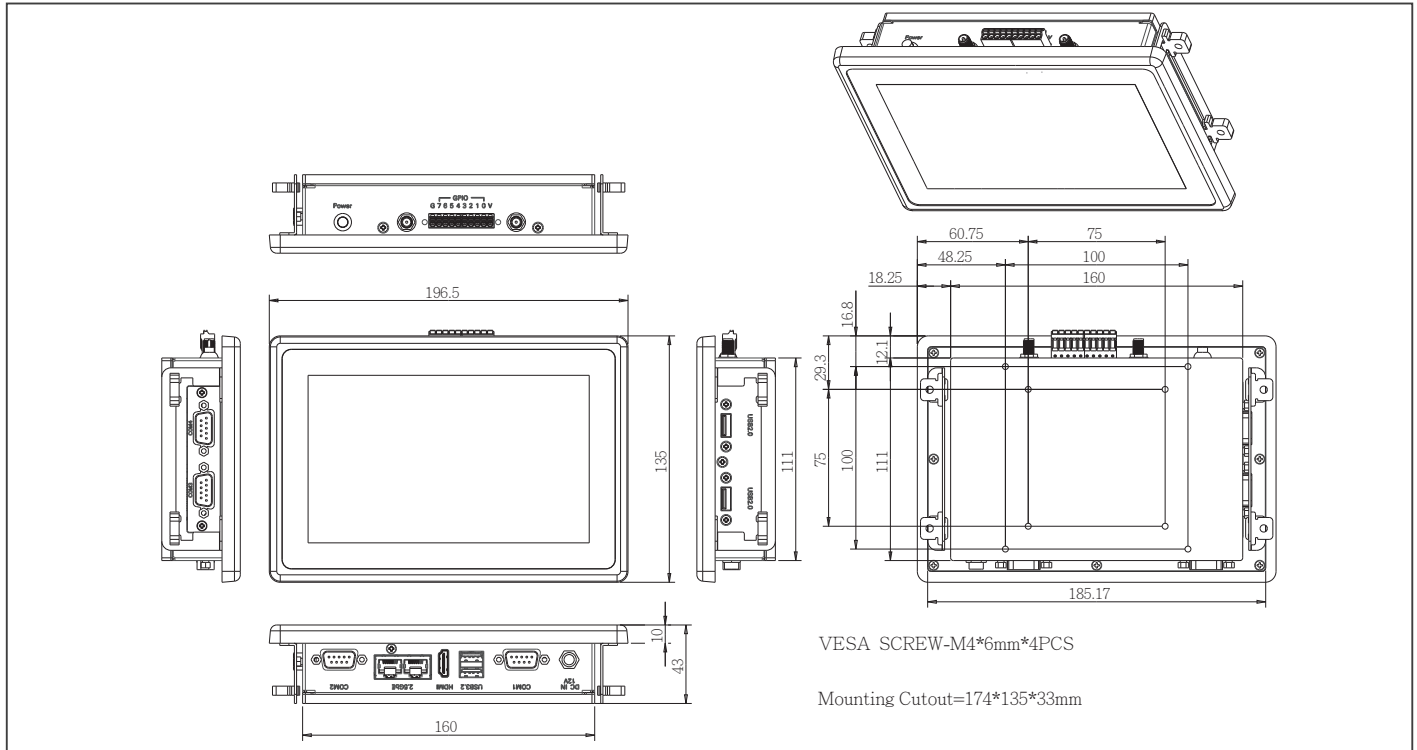
System	
Processor	Intel® Processor N50 Intel® Processor N97 *Turbo Mode is disabled by default. If enabling it, please ensure the system in a well-ventilated area.
System Memory	DDR5 4800MHz SODIMM x 1, up to 32GB
LCD/CRT controller	CPU Integrated
Ethernet	Intel® Ethernet Controller I226 GbE x 2
I/O Port	USB 3.2 x 2 USB 2.0 x 2 via Cables DB-9 x 2 for RS-232/422/485 (Set By BIOS) DB-9 x 2 for RS-232 (Optional) HDMI 1.4b x 1 2.5GbE x 2 12V DC Jack, 9~36V (Optional) 8-bit GPIO x 1 Power on/off Switch with LED Light x 1
Storage Disk Drive	Full size mPCIe (PCIe [x1]/SATA)
Expansion Slot	M.2 3052 B-Key x 1 with Nano SIM M.2 2230 E-Key x 1
OS support	Windows® 10 IoT Enterprise LTSC 2021 Windows® 10/11
Mechanical	
Construction	Aluminum Front Bezel + Metal Chassis
Mounting	Panel Mount/VESA Mount (VESA 100)
Dimension	7.74" x 5.31" x 1.69" (196.5mm x 135mm x 43mm)
Carton Dimension	11.0" x 8.7" x 6.1" (280mm x 220mm x 154mm)
Gross Weight	2.1 lb. (0.95Kg)
Environmental	
Operating Temperature	23°F ~ 122°F (-5°C ~ 50°C) with 0.5 m/s airflow
Storage Temperature	-4°F ~ 158°F (-20°C ~ 70°C)
Storage Humidity	90% @40°C; non-condensing
Vibration	1Grm s/5~500Hz/ operation - with mSATA
Shock	15 G peak acceleration (11 m sec. duration) with mSATA
EMC	CE/FCC Class A Compatible
Power Supply	
DC Input	DC 12V
LCD	
Display Type	7" TFT LCD, LED
Max Resolution	1024 x 600
Max. Colors	16.7M
Luminance	320 cd/m <sup>2</sup>
Viewing Angle	145° (H) ; 150° (V)
Back Light	LED
Back Light MTBF (Hours)	20,000 Hrs
Touchscreen	
Type	Projected Capacitive Multi-Touch
Light Transmission	90%





## Dimension

Unit: mm



## Packing List

- ACP-2076
- Panel Mount
- Screw Pack
- 125530060Y  
12V 60W Power Adapter

## Optional Accessories

Part Number	Description
170X000799	Power Cord (US Type)
170X001024	Power Cord (European Type)
170X000803	Power Cord (Japanese Type)
M041073020	Stand Kit

## Ordering Information

Part Number	Display Type	Resolution	Luminance	View Angle	Backlight MTBF	CPU	LAN	USB 3.2	USB 2.0	RS-232	RS-232/422/485	Storage	RAM	Display	Expansion	Mounting	Power	Temp	Touch
ACP-2076HTT-A1-1010	7" TFT LCD	1024 x 600	320 cd/m <sup>2</sup>	145°(H); 150°(V)	20,000 Hrs	Intel® Processor N50	2.5GbE x 2	2	2	2 (Optional)	2	Full size mPCIe (PCIe [x1]/SATA)	DDR5, up to 32GB	HDMI x 1	M.2 3052 B-Key x 1 M.2 2230 E-Key x 1	Panel Mount/VESA Mount	DC 12V	23°F ~ 122°F (-5°C ~ 50°C) with airflow	PCAP T/S
ACP-2076HTT-A2-1010	7" TFT LCD	1024 x 600	320 cd/m <sup>2</sup>	145°(H); 150°(V)	20,000 Hrs	Intel® Processor N97	2.5GbE x 2	2	2	2 (Optional)	2	Full size mPCIe (PCIe [x1]/SATA)	DDR5, up to 32GB	HDMI x 1	M.2 3052 B-Key x 1 M.2 2230 E-Key x 1	Panel Mount/VESA Mount	DC 12V	23°F ~ 122°F (-5°C ~ 50°C) with airflow	PCAP T/S

# ACP-1108

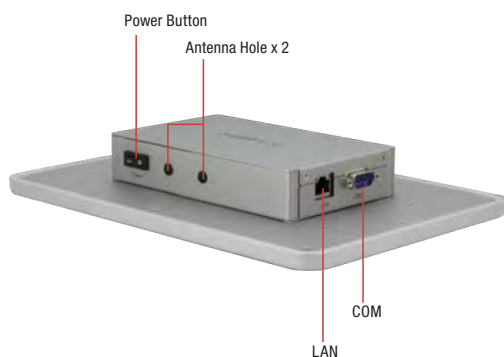
10.1" WXGA Android Based Panel PC with Rockchip™ RK3568



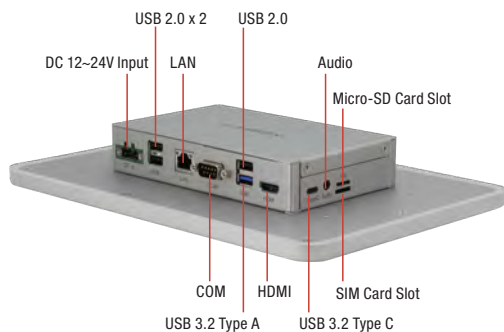
Front View



Top View



Bottom View



## Features

- 10.1" WXGA (1280 x 800) Color TFT LCD Display
- RICO-3568
- Projected Capacitive Touch Screen
- IP65 Compliant Aluminum Front Bezel
- Fanless System
- VESA/Panel Mount Support
- LAN x 2, COM x 2, USB 3.2 Gen1 (Type A) x 1, USB 2.0 x 3
- USB 3.2 Gen 1 (Type C) x 1
- HDMI x 1, Audio x 1
- Full-size Mini Card Slot x 1
- DC 12~24V

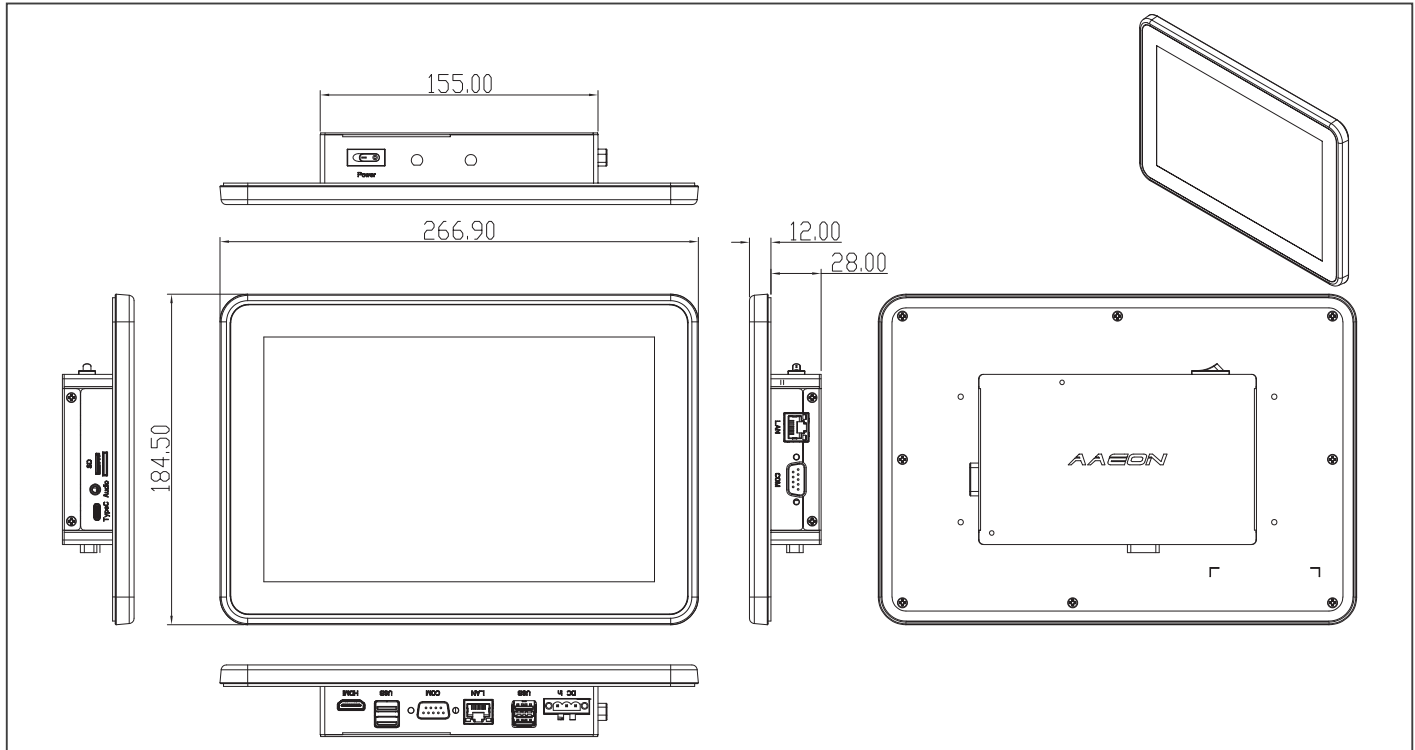


System	
Processor	Rockchip™ RK3568 Quad-Core Arm® Cortex®-A55 Processor
System Memory	LPDDR4 2GB/4GB (Optional)
LCD/CRT controller	—
Ethernet	10/100/1000 Base TX x 2
I/O Port	LAN x 2 COM x 2 USB 3.2 Gen 1 (Type-C OTG) x 1 (For System Recovery) USB 3.2 Gen 1 x 1 USB 2.0 x 3 HDMI x 1 Audio x 1
Storage Disk Drive	16GB eMMC and Micro-SD card
Expansion Slot	Full-size mini-PCIe slot x 1 (PCIe 3.0 [x1] or mSATA)
OS support	Android™ 12 / Debian
Mechanical	
Construction	Aluminum Front Bezel + Metal Chassis
Mounting	VESA / Panel Mount
Dimension	10.5" x 7.2" x 1.5" (266.9mm x 184.5mm x 40mm)
Carton Dimension	13.3" x 10.2" x 5.9" (339mm x 260mm x 152mm)
Gross Weight	3.5 lb. (1.6Kg)
Environmental	
Operating Temperature	23°F ~131°F (-5°C ~ 50°C) with 0.5 m/s airflow
Storage Temperature	-4°F ~ 140°F (-20°C ~ 60°C)
Storage Humidity	90% @40°C; non-condensing
Vibration	1Grms / 5~ 500Hz / operation
Shock	15 G peak acceleration (11 msec. duration)
EMC	CE/FCC Class A Compatible
Power Supply	
DC Input	DC 12~24V
LCD	
Display Type	10.1" WXGA (1280 x 800) Color TFT LCD Display
Max Resolution	1280 x 800
Max. Colors	262K colors (6 bit for R,G,B)
Luminance	300 nits
Viewing Angle	170° (H) ; 170° (V)
Back Light	LED
Back Light MTBF (Hours)	25,000 Hrs
Touchscreen	
Type	Projected Capacitive Multi-Touch
Light Transmission	90%



## Dimension

Unit: mm



## Packing List

- ACP-1108
- Panel Mount /Vesa Mount Kit
- Screw Pack

## Optional Accessories

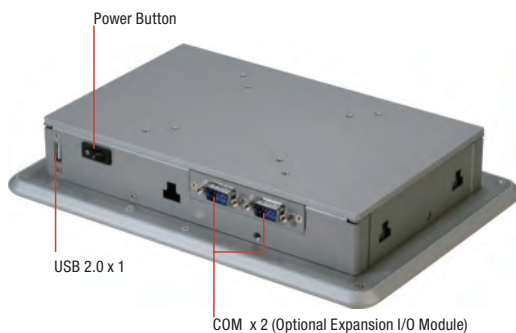
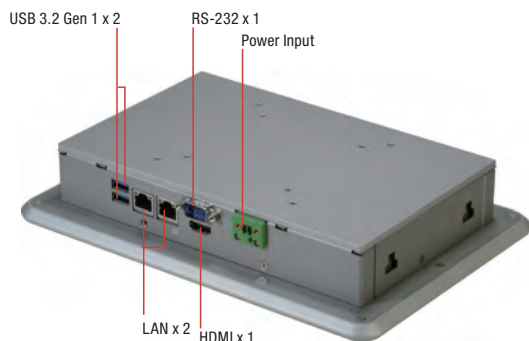
Part Number	Description
1255900603	Power Adapter
170X000799	Power Cord (US Type)
170X001024	Power Cord (European Type)
170X000803	Power Cord (Japanese Type)
M041073020	Stand Kit

## Ordering Information

Part Number	Display Type	Resolution	Luminance	View Angle	Backlight MTBF	CPU	LAN	USB	RS-232	RS-232/422/485	Storage	RAM	Display	Expansion	Mounting	Power	Temp	Touch
ACP-1108HTT-A1-1010	10.1" TFT LCD	1280 x 800	300 cd/m <sup>2</sup>	170°(H)/170°(V)	25,000	RICO-3568	2	5	1	1	32GB eMMC	LPDDR4 2GB	HDMI x1	Full Size MiniCard x1	VESA / Panel Mount	DC 12-24V	-5°C-50°C	Projected Capacitive Touch
ACP-1108HTT-A2-1010	10.1" TFT LCD	1280 x 800	300 cd/m <sup>2</sup>	170°(H)/170°(V)	25,000	RICO-3568	2	5	1	1	32GB eMMC	LPDDR4 4GB	HDMI x1	Full Size MiniCard x1	VESA / Panel Mount	DC 12-24V	-5°C-50°C	Projected Capacitive Touch
ACP-1108HTT-A3-1010	10.1" TFT LCD	1280 x 800	300 cd/m <sup>2</sup>	170°(H)/170°(V)	25,000	RICO-3568	2	5	1	1	32GB eMMC	LPDDR4 8GB	HDMI x1	Full Size MiniCard x1	VESA / Panel Mount	DC 12-24V	-5°C-50°C	Projected Capacitive Touch

# ACP-1106

10.1" WXGA Multi-Touch Panel PC With Intel® Pentium® N4200/ Celeron® N3350 Processor, 4 GB RAM



**9761107601**  
USB 2.0 x 2



**9761107600**  
RS-232/422/485 x 2



## Features

- 10.1" WXGA (1280 x 800) Color TFT LCD Display
- Intel® Pentium® N4200/ Celeron® N3350 Processor
- Projected Capacitive Multi Touch
- IP65 Compliant Aluminum Front Bezel
- Fanless System
- VESA 75/Panel Mount Support
- DC 9~30V



## Specifications

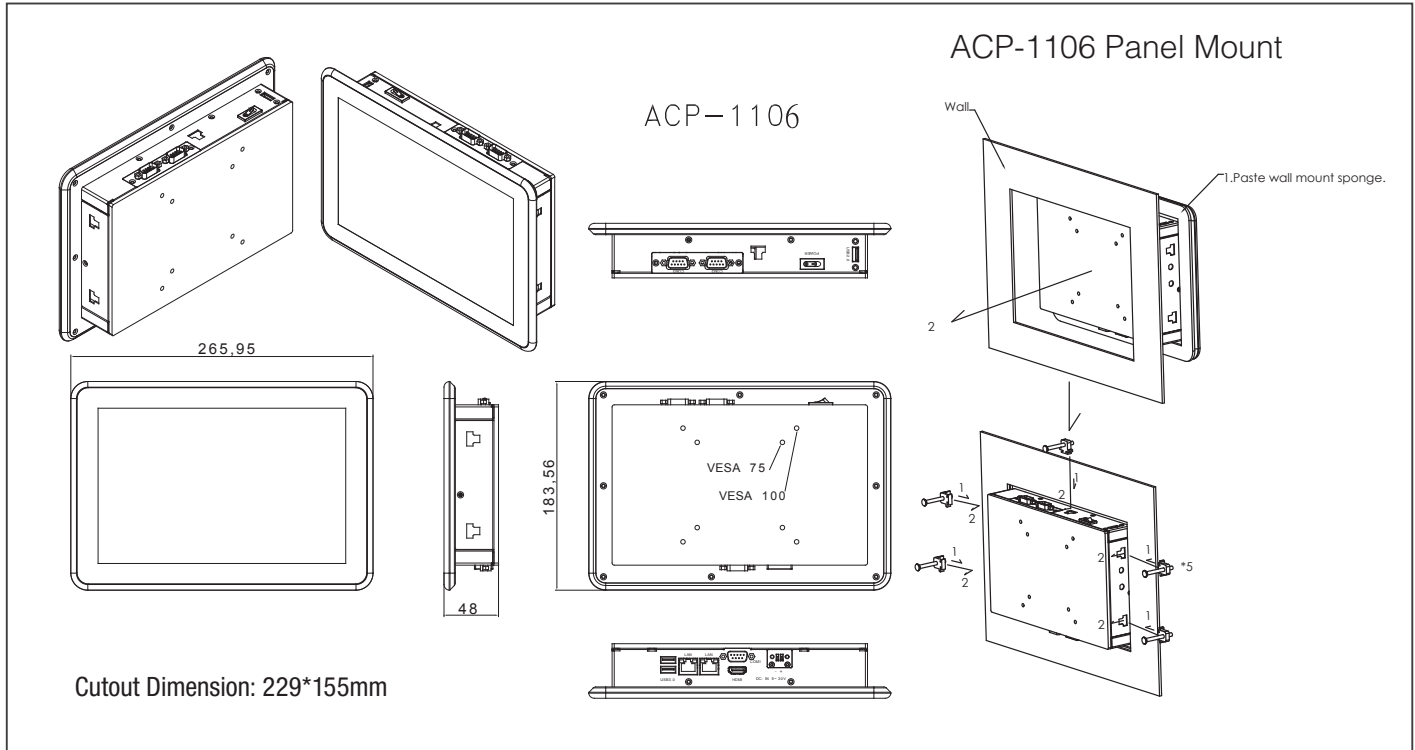
System	
Processor	Intel® Pentium® N4200 processor, 1.1 GHz (Quad-Core), Burst frequency 2.5GHz Intel® Celeron® N3350 processor, 1.1 GHz (Dual-Core), Burst frequency 2.4GHz
System Memory	DDR3L 1866, Single Channel SODIMM x 1, Non-ECC (Max.8GB, up to 1600MHz)
LCD/CRT controller	Integrated in processor
Ethernet	10/100/1000 Base-TX, RJ-45 x 2
Bottom I/O Port	DB9 Type RS-232 x 1 USB 3.2 Gen 1 x 2 HDMI x 1 RJ-45 10/100/1000 LAN x 2 2 Pin terminal block for power input
Top I/O Port	Power Button x 1 Type A USB 2.0 x 1 Expansion I/O Slot
Storage Disk Drive	Full Size mSATA x 1
Expansion Slot	Half size mini card x 1 (Internal)
OS support	Windows® 10
Mechanical	
Construction	Aluminum Front Bezel + Metal Chassis
Mounting	VESA 75, Panel Mount
Dimension	10.47" x 7.24 x 1.89" (266 x 184 x 48mm)
Carton Dimension	13.38" x 7.64 x 9.96" (340 x 194 x 253mm)
Gross Weight	6.38 lb (2.9 kg)
Environmental	
Operating Temperature	23°F ~ 122°F (-5°C ~ 50°C) with 0.5 m/s airflow
Storage Temperature	-4°F ~ 158°F (-20°C ~ 70°C)
Storage Humidity	90% @40°C; non-condensing
Vibration	1 Grms/ 5~ 500Hz/ operation – with HDD
Shock	15 G peak acceleration (11 msec. duration) – with HDD
EMC	CE/FCC Class A
Power Supply	
DC input	DC 9~30V
LCD	
Display Type	10.1" TFT-LCD, LED
Max Resolution	1280 x 800
Max. Colors	262K colors (6 bit for R,G,B)
Luminance	300 cd/m²
Viewing Angle	170° (H), 170° (V)
Back Light	LED
Back Light MTBF (Hours)	—
Touch Screen	
Type	P-CAP Touchscreen
Light Transmission	90%





## Dimension

Unit: mm



## Packing List

- Panel Mount Kit
- VESA Screws
- ACP-1106

## Optional Accessories

Part Number	Description
170X000799	Power Cord (US Type)
170X001024	Power Cord (European Type)
170X000803	Power Cord (Japanese Type)
M041073020	Stand Kit
9761107600	RS-232/422/485 x 2 (Expansion I/O Module)
9761107601	USB 2.0 x 2 (Expansion I/O Module)
1255300611	2 Pin 60W power adapter

## Ordering Information

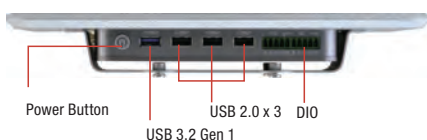
Part Number	Display Type	Max Resolution	Luminance	View Angle	Backlight MTBF	CPU	LAN	USB 3.2 Gen 1	USB 2.0	RS-232	RS-232 /422/485	Storage	RAM	Display	Expansion	Mounting	Power	Temp.	Touch
ACP-1106HTT-A1-1015	10.1" TFT-LCD	1280 x 800	300 cd/m <sup>2</sup>	170°(H)/170°(V)	25,000	Intel® Pentium® N4200	2	2	1	1	0	Full Size mSATA x 1	4GB DDR3L RAM Included	HDMI x 1	- Half size mini card slot x 1 - Expansion I/O window x 1	Stand, Panel, VESA 75	DC 9~30V	23°F ~ 122°F (-5°C ~ 50°C) (w/ airflow)	PCAP T/S
ACP-1106HTT-A3-1015	10.1" TFT-LCD	1280 x 800	300 cd/m <sup>2</sup>	170°(H)/170°(V)	25,000	Intel® Celeron® N3350	2	2	1	1	0	Full Size mSATA x 1	4GB DDR3L RAM Included	HDMI x 1	- Half size mini card slot x 1 - Expansion I/O window x 1	Stand, Panel, VESA 75	DC 9~30V	23°F ~ 122°F (-5°C ~ 50°C) (w/ airflow)	PCAP T/S
ACP-1106HTT-B1-1015	10.1" TFT-LCD	1280 x 800	300 cd/m <sup>2</sup>	170°(H)/170°(V)	25,000	Intel® Pentium® N4200	2	2	1	1	0	Full Size mSATA x 1	4GB DDR3L RAM Included	HDMI x 1	- Half size mini PCIe slot x 1 with WiFi module installed - Expansion I/O window x 1	Stand, Panel, VESA 75	DC 9~30V	23°F ~ 122°F (-5°C ~ 50°C) (w/ airflow)	PCAP T/S
ACP-1106HTT-B3-1015	10.1" TFT-LCD	1280 x 800	300 cd/m <sup>2</sup>	170°(H)/170°(V)	25,000	Intel® Celeron® N3350	2	2	1	1	0	Full Size mSATA x 1	4GB DDR3L RAM Included	HDMI x 1	- Half size mini PCIe slot x 1 with WiFi module installed - Expansion I/O window x 1	Stand, Panel, VESA 75	DC 9~30V	23°F ~ 122°F (-5°C ~ 50°C) (w/ airflow)	PCAP T/S

# ACP-1104

10.1" WXGA Ultra-slim Fanless Multi Touch Panel PC With Intel® Celeron® J1900/ N2807 Processor, 2GB RAM



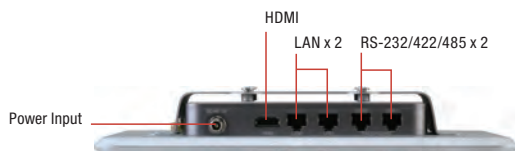
Top I/O Side



Rear Side



Button I/O Side



## Features

- 10.1" WXGA (1280 x 800) Color TFT LCD Display
- Intel® Celeron® J1900/ N2807 Processor
- Aluminum Design
- P-CAP Multi-touch
- Fanless Operation
- VESA 75/ Panel Mount/ Stand Support
- IP65 Compliant Front Bezel



## Specifications

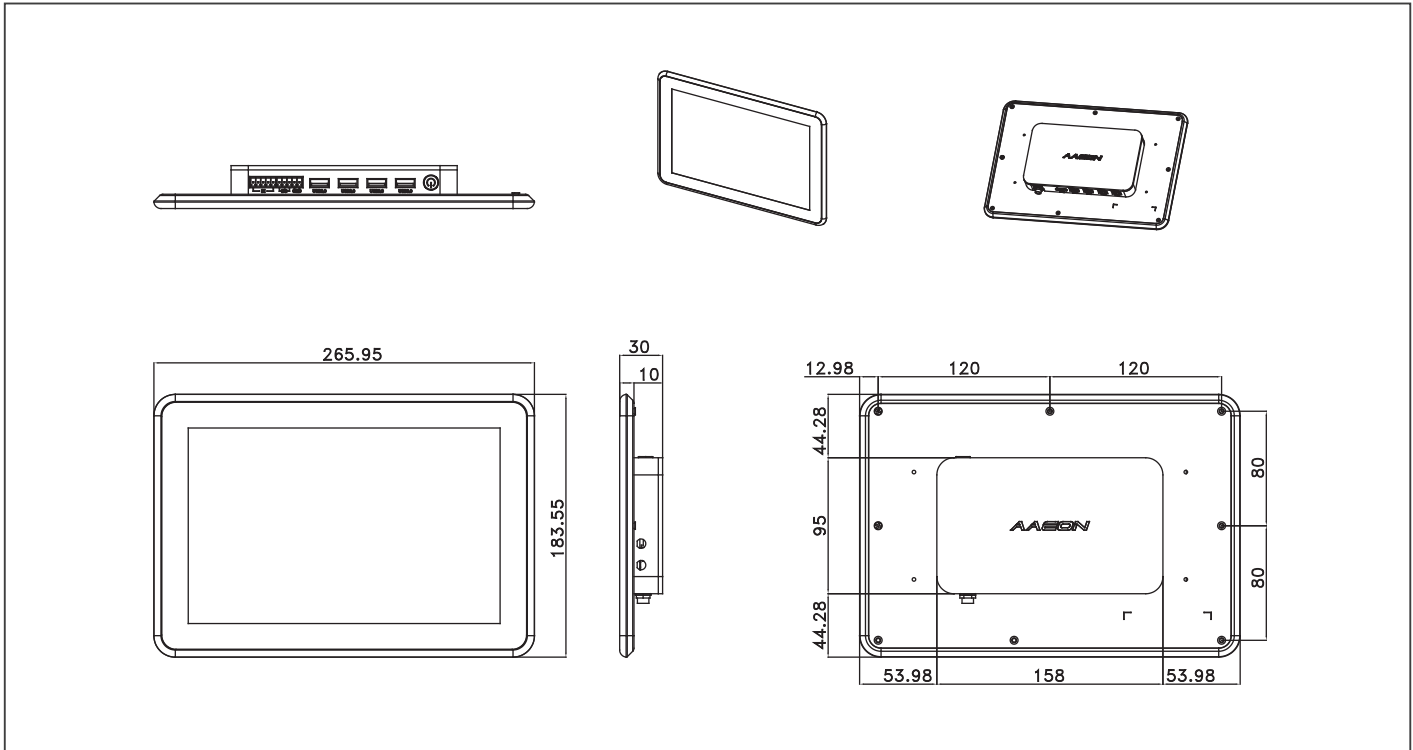
System	
Processor	Intel® Celeron® J1900 processor, 2 GHz Intel® N2807 processor, 1.58 GHz
System Memory	204-pin DDR3L 1333MHz SODIMM x 1, default 2 GB, up to 8 GB (J1900) 204-pin DDR3L 1333MHz SODIMM x 1, default 2 GB, up to 4 GB (N2807)
LCD/CRT controller	Integrated in processor
Ethernet	10/100/1000 Base-TX, RJ-45 x 2
I/O Port	RS-232/422/485 x 2 ( RJ-45 connector ) USB 2.0 type A x 3 USB 3.2 Gen 1 type A x 1 HDMI x 1 DI/O (4 DI, 2 DO) BIOS selection Power button x 1 Lockable power connector x 1
Storage Disk Drive	Half size mSATA x 1 (Installation by AAEON recommended)
Expansion Slot	Full size Mini-Card x 1
OS support	Windows® 7, Windows® 8.1, Windows® 10
Mechanical	
Front Panel	Aluminum Design
Mounting	VESA 75/ Panel mount/ Stand
Dimension	10.47" x 7.22" x 1.18" (266 x 183.5 x 30mm)
Carton Dimension	13.58" x 7.87" x 9.65" (345 x 200 x 245mm)
Gross Weight	5.5 lb (2.5 kg)
Environmental	
Operating Temperature	32°F ~ 113°F (0°C ~ 45°C) without airflow 32°F ~ 122°F (0°C ~ 50°C) with airflow
Storage Temperature	-4°F ~ 158°F (-20°C ~ 70°C)
Storage Humidity	5%~90% @40°C, non-condensing
Vibration	1 Grms/ 5~ 500Hz/ operation
Shock	15 G peak acceleration (11 msec. duration)
EMC	CE/FCC class A
Power Supply	
DC Input	DC 12V with lockable power adapter
LCD	
Display Type	10.1" TFT-LCD, LED
Max. Resolution	1280 x 800
Max. Colors	262k
Luminance	300 cd/m <sup>2</sup>
Viewing Angle	170° (H), 170° (V)
Back Light	LED
Back Light MTBF (Hours)	—
Touchscreen	
Type	Projected capacitive multi-touch
Light Transmission	—





## Dimension

Unit: mm



## Packing List

- **125530060Y**  
Power Adapter, DC12V, 60W
- **1700090156 x 2**  
RJ-45 to COM Cable
- **VESA Mount Kit**
- **9741107300**  
Panel Mount Kit
- **VESA Screws**
- **ACP-1104**

## Optional Accessories

Part Number	Description
170X000799	Power Cord (US Type)
170X001024	Power Cord (European Type)
170X000803	Power Cord (Japanese Type)
M041073020	Stand Kit

## Ordering Information

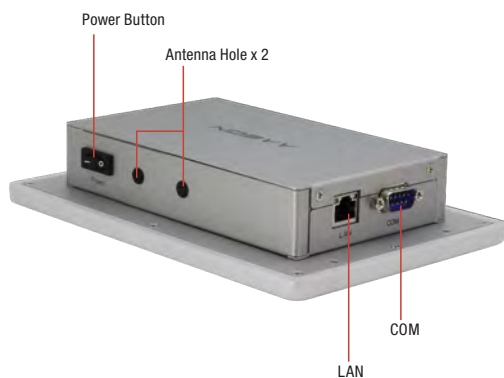
Part Number	Display Type	Max. Resolution	Luminance	View Angle	Backlight MTBF	CPU	LAN	USB	RS-232	RS-232/422/485	Storage	RAM	Display	Expansion	Mounting	Power	Temp.	Touch
ACP-1104HTT-A1-1015	10.1" TFT-LCD	1280 x 800	300 cd/m <sup>2</sup>	170°(H), 170°(V)	25,000	Intel® Celeron® J1900, 2.0 GHz	2	USB 3.2 Gen 1 x 1, USB 2.0 x 3	—	2	Half size mSATA	2GB DDR3L RAM Included	HDMI x 1	—	VESA 75/Stand	DC 12V	32°F ~ 113°F (0°C ~ 45°C) (mSATA, w/o airflow) 32°F ~ 122°F (0°C ~ 50°C) (mSATA, w/ airflow)	Projected Capacitive touch
ACP-1104HTT-B1-1015	10.1" TFT-LCD	1280 x 800	300 cd/m <sup>2</sup>	170°(H), 170°(V)	25,000	Intel® Celeron® J1900, 2.0 GHz	2	USB 3.2 Gen 1 x 1, USB 2.0 x 3	—	2	Half size mSATA	2GB DDR3L RAM Included	HDMI x 1	WiFi	VESA 75/Stand	DC 12V	32°F ~ 113°F (0°C ~ 45°C) (mSATA, w/o airflow) 32°F ~ 122°F (0°C ~ 50°C) (mSATA, w/ airflow)	Projected capacitive touch
ACP-1104HTT-A3-1015	10.1" TFT-LCD	1280 x 800	300 cd/m <sup>2</sup>	170°(H), 170°(V)	25,000	Intel® Celeron® N2807, 1.58 GHz	2	USB 3.2 Gen 1 x 1, USB 2.0 x 3	—	2	Half size mSATA	2GB DDR3L RAM Included	HDMI x 1	—	VESA 75/Stand	DC 12V	32°F ~ 113°F (0°C ~ 45°C) (mSATA, w/o airflow) 32°F ~ 122°F (0°C ~ 50°C) (mSATA, w/ airflow)	Projected capacitive touch
ACP-1104HTT-B3-1015	10.1" TFT-LCD	1280 x 800	300 cd/m <sup>2</sup>	170°(H), 170°(V)	25,000	Intel® Celeron® N2807, 1.58 GHz	2	USB 3.2 Gen 1 x 1, USB 2.0 x 3	—	2	Half size mSATA	2GB DDR3L RAM Included	HDMI x 1	WiFi	VESA 75/Stand	DC 12V	32°F ~ 113°F (0°C ~ 45°C) (mSATA, w/o airflow) 32°F ~ 122°F (0°C ~ 50°C) (mSATA, w/ airflow)	Projected capacitive touch



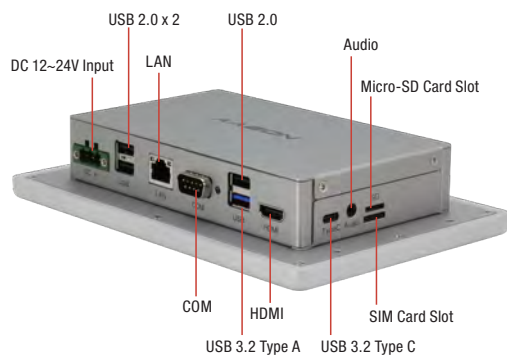
Front View



Top View



Bottom View



## Features

- 7" WSVGA (1024 x 600) Color TFT LCD Display
- Projected Capacitive Touch Screen
- IP65 Compliant Aluminum Front Bezel
- Fanless System
- VESA/Panel Mount Support
- LAN x 2, COM x 2, USB 3.2 Gen1 (Type A) x 1, USB 2.0 x 3
- USB 3.2 Gen1 (Type C) x 1
- HDMI x 1, Audio x 1
- Full-size mini-PCIe Slot x 1
- DC 12~24V



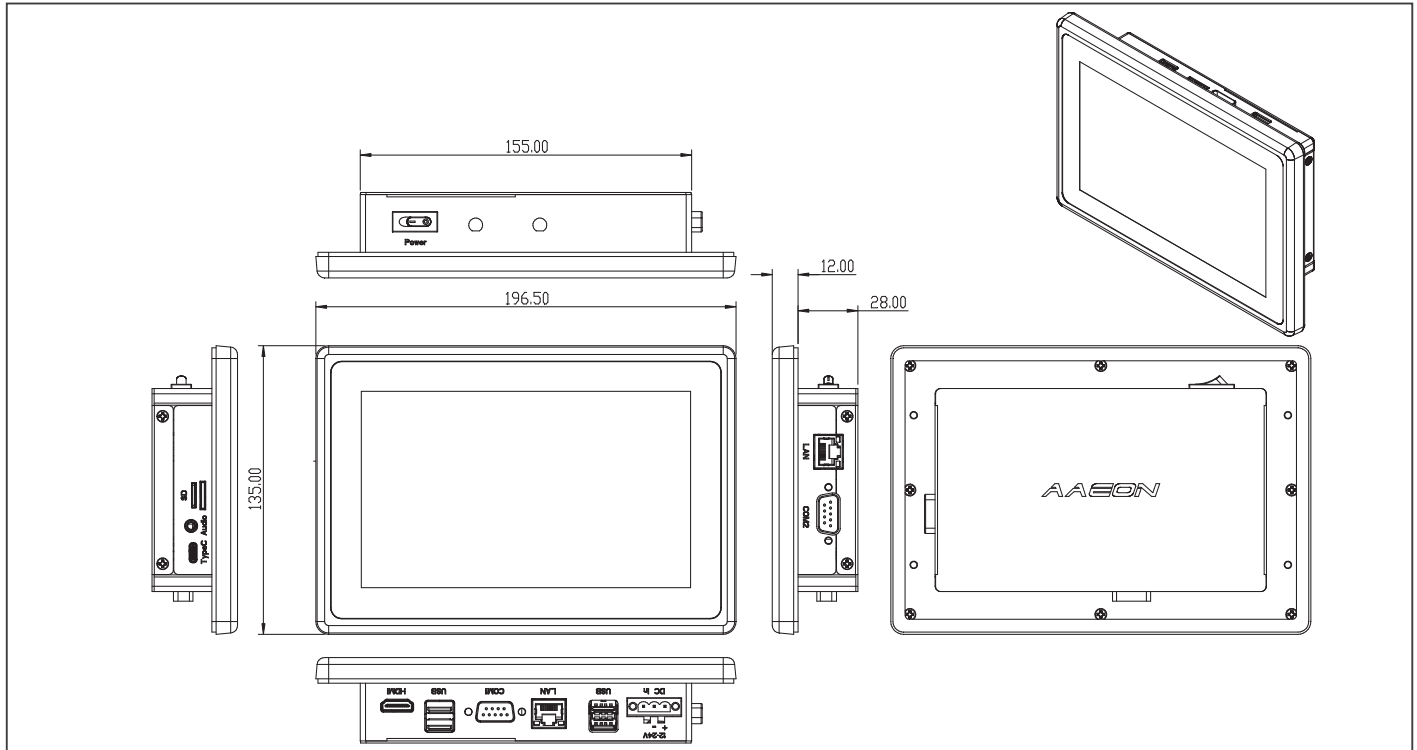
System	
Processor	Rockchip™ RK3568 Quad-Core Arm® Cortex®-A55 Processor
System Memory	LPDDR4 2GB/4GB (Optional)
LCD/CRT controller	—
Ethernet	10/100/1000 Base TX x2
I/O Port	LAN x 2 COM x 2 USB 3.2 Gen 1 (Type C OTG) x 1 (For System Recovery) USB 3.2 Gen 1 x 1 USB 2.0 x 3 HDMI x 1 Audio x 1
Storage Disk Drive	16GB eMMC and Micro-SD card
Expansion Slot	Full-size mini-PCIe slot x 1 (PCIe 3.0 [x1] or mSATA)
OS support	Android™ 12 / Debian
Mechanical	
Construction	Aluminum Front Bezel + Metal Chassis
Mounting	VESA / Panel Mount
Dimension	7.7" x 5.3" x 1.5" (196.5mm x 135mm x 40mm)
Carton Dimension	11.0" x 8.7" x 6.1" (280mm x 220mm x 154mm)
Gross Weight	2.2 lb. (1.0Kg)
Environmental	
Operating Temperature	23°F ~131°F (-5°C ~ 50°C) with 0.5 m/s airflow
Storage Temperature	-4°F ~ 140°F (-20°C ~ 60°C)
Storage Humidity	90% @40°C; non-condensing
Vibration	1Grms / 5~ 500Hz / operation
Shock	15 G peak acceleration (11 msec. duration)
EMC	CE/FCC Class A Compatible
Power Supply	
DC Input	DC 12~24V
LCD	
Display Type	7" WSVGA (1024 x 600) Color TFT LCD Display
Max Resolution	1024 x 600
Max. Colors	16.7M
Luminance	320 nits
Viewing Angle	145° (H); 150° (V)
Back Light	LED
Back Light MTBF (Hours)	20,000 Hrs
Touchscreen	
Type	Projected Capacitive Multi-Touch
Light Transmission	90%





## Dimension

Unit: mm



## Packing List

- ACP-1078
- Panel Mount /Vesa Mount Kit
- Screw Pack

## Optional Accessories

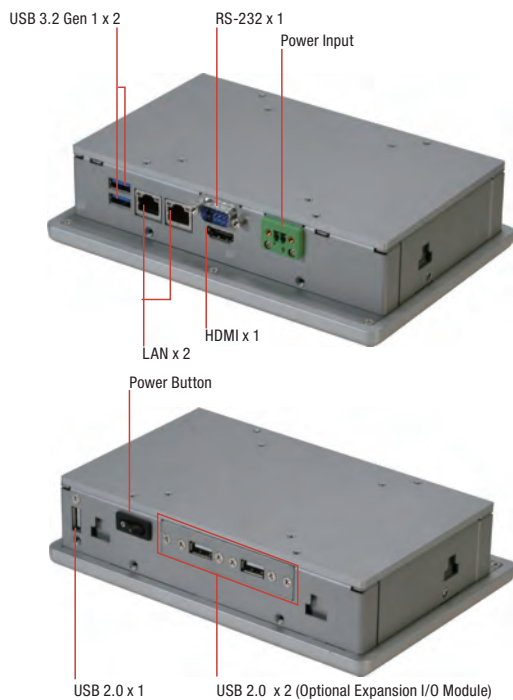
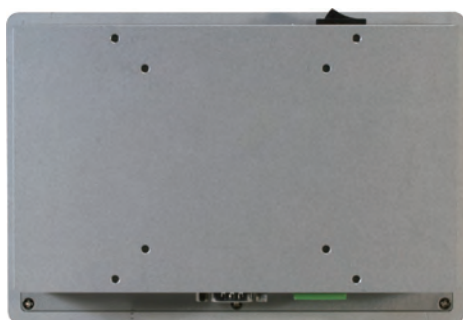
Part Number	Description
1255900603	Power Adapter
170X000799	Power Cord (US Type)
170X001024	Power Cord (European Type)
170X000803	Power Cord (Japanese Type)
M041073020	Stand Kit

## Ordering Information

Part Number	Display Type	Resolution	Luminance	View Angle	Backlight MTBF	CPU	LAN	USB	RS-232	RS-232/422/485	Storage	RAM	Display	Expansion	Mounting	Power	Temp	Touch
ACP-1078HTT-A1-1010	7" TFT LCD	1024 x 600	320 cd/m <sup>2</sup>	145°(H) / 150°(V)	20,000	RICO-3568	2	5	1	1	32GB eMMC	LPDDR4 2GB	HDMI x1	Full Size MiniCard x1	VESA / Panel Mount	DC 12~24V	-5°C~50°C	Projected Capacitive Touch
ACP-1078HTT-A2-1010	7" TFT LCD	1024 x 600	320 cd/m <sup>2</sup>	145°(H) / 150°(V)	20,000	RICO-3568	2	5	1	1	32GB eMMC	LPDDR4 4GB	HDMI x1	Full Size MiniCard x1	VESA / Panel Mount	DC 12~24V	-5°C~50°C	Projected Capacitive Touch
ACP-1078HTT-A3-1010	7" TFT LCD	1024 x 600	320 cd/m <sup>2</sup>	145°(H) / 150°(V)	20,000	RICO-3568	2	5	1	1	32GB eMMC	LPDDR4 8GB	HDMI x1	Full Size MiniCard x1	VESA / Panel Mount	DC 12~24V	-5°C~50°C	Projected Capacitive Touch

# ACP-1076

7" WSVGA Multi-Touch Panel PC With Intel® Pentium® N4200/ Celeron® N3350 Processor, 4 GB RAM



**9761107601**  
USB 2.0 x 2



**9761107600**  
RS-232/422/485 x 2



## Features

- 7" WSVGA (1024 x 600) Color TFT LCD Display
- Intel® Pentium® N4200/ Celeron® N3350 Processor
- Projected Capacitive Multi Touch (2 Fingers)
- IP65 Compliant Aluminum Front Bezel
- Fanless System
- VESA 75/ Panel Mount Support
- DC 9~30V



## Specifications

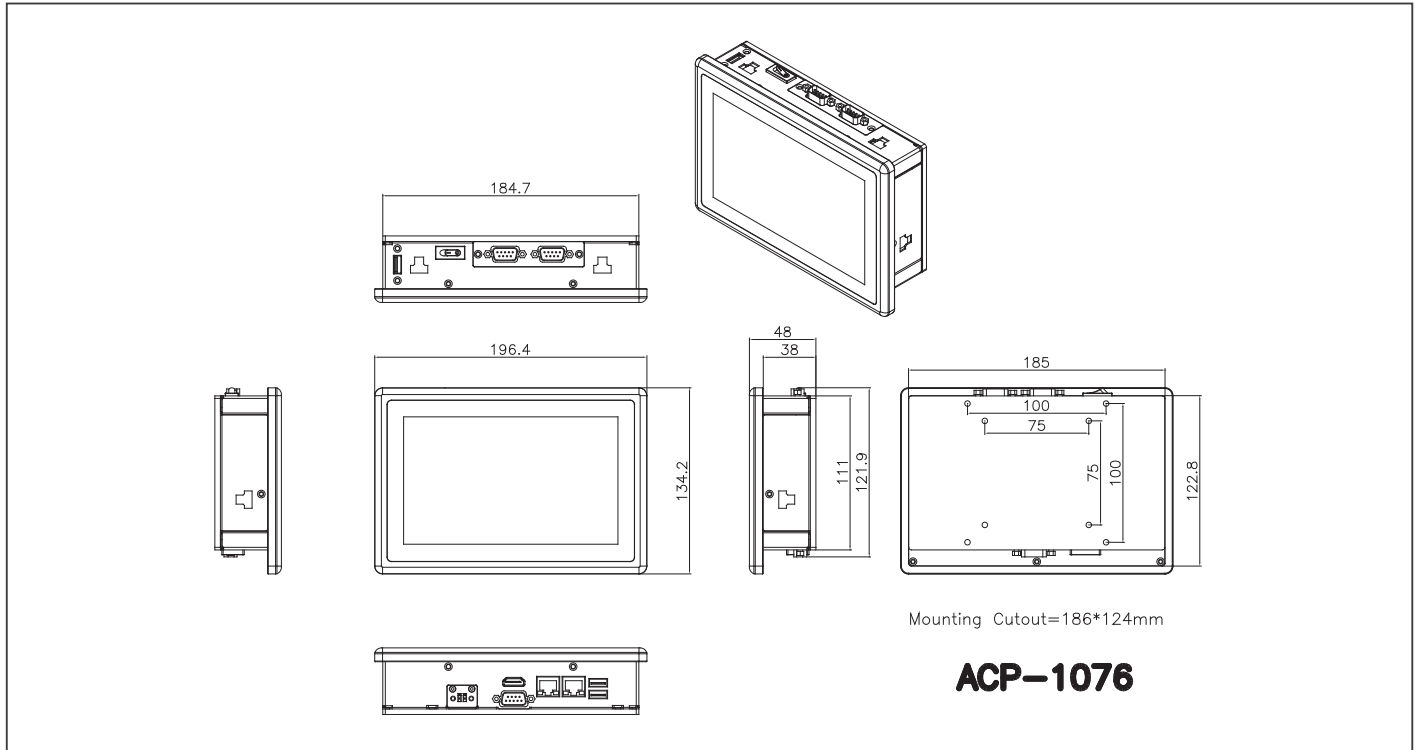
System	
Processor	Intel® Pentium®N4200 processor, 1.1 GHz (Quad-Core), Burst frequency 2.5GHz Intel® Celeron® N3350 processor, 1.1 GHz (Dual-Core), Burst frequency 2.4GHz
System Memory	DDR3L 1866, Single Channel SODIMM x 1, Non-ECC (Max.8GB, up to 1600MHz)
LCD/CRT controller	Integrated in processor
Ethernet	10/100/1000 Base-TX, RJ-45 x 2
Bottom I/O Port	DB9 Type RS-232 x 1 USB 3.2 Gen 1 x 2 HDMI x 1 RJ-45 10/100/1000 LAN x 2 2 Pin terminal block for power input
Top I/O Port	Power Button x 1 Type A USB 2.0 x 1 Expansion I/O Slot
Storage Disk Drive	Full Size mSATA x 1
Expansion Slot	Half size mini card x 1(Internal)
OS support	Windows® 10
Mechanical	
Construction	Aluminum Front Bezel + Metal Chassis
Mounting	VESA 75, Panel Mount
Dimension	7.72" x 5.28" x 1.89" (196 x 134 x 48 mm)
Carton Dimension	10.87" x 9.41" x 6.69" (276 x 239 x 170 mm)
Gross Weight	4.62 lb (2.1 Kg)
Environmental	
Operating Temperature	23°F ~ 122°F (-5°C ~ 50°C) with 0.5 m/s airflow
Storage Temperature	-4°F ~ 158°F (-20°C ~ 70°C)
Storage Humidity	90% @40°C; non-condensing
Vibration	1 Grms/ 5~ 500Hz/ operation – with HDD
Shock	15 G peak acceleration (11 msec. duration) – with HDD
EMC	CE/FCC Class A
Power Supply	
DC input	DC 9~30V
LCD	
Display Type	7" TFT-LCD, LED
Max Resolution	1024 x 600
Max. Colors	16.7M
Luminance	320 cd/m <sup>2</sup>
Viewing Angle	150° (H), 145° (V)
Back Light	LED
Back Light MTBF (Hours)	20,000
Touch Screen	
Type	P-CAP Touchscreen
Light Transmission	90%





## Dimension

Unit: mm



## Packing List

- Panel Mount Kit
- VESA Screws
- ACP-1076

## Optional Accessories

Part Number	Description
170X000799	Power Cord (US Type)
170X001024	Power Cord (European Type)
170X000803	Power Cord (Japanese Type)
M041073020	Stand Kit
9761107600	RS-232/422/485 x 2 (Expansion I/O Module)
9761107601	USB 2.0 x 2 (Expansion I/O Module)
1255300611	2 Pin 60W power adapter

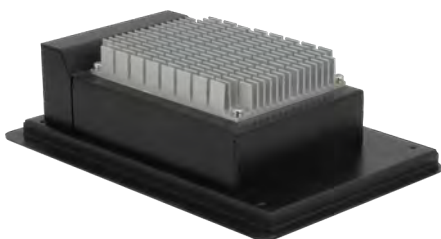
## Ordering Information

Part Number	Display Type	Max Resolution	Luminance	View Angle	Backlight MTBF	CPU	LAN	USB 3.2 Gen 1	USB 2.0	RS-232	RS-232 /422/485	Storage	RAM	Display	Expansion	Mounting	Power	Temp.	Touch
ACP-1076HTT-A1-1015	7" TFT-LCD	1024 x 600	320 cd/m <sup>2</sup>	150(H) / 145(V)	20,000	Intel® Pentium N4200	2	2	1	1	0	Full Size mSATA x 1	4GB DDR3L RAM Included	HDMI x 1	- Half size mini PCIe slot x 1 - Expansion I/O window x 1	Stand, Panel, VESA 75	DC 9~30V	23°F ~ 122°F (-5°C ~ 50°C) (w/ airflow)	PCAP T/S
ACP-1076HTT-A3-1015	7" TFT-LCD	1024 x 600	320 cd/m <sup>2</sup>	150(H) / 145(V)	20,000	Intel® Celeron N3350	2	2	1	1	0	Full Size mSATA x 1	4GB DDR3L RAM Included	HDMI x 1	- Half size mini PCIe slot x 1 - Expansion I/O window x 1	Stand, Panel, VESA 75	DC 9~30V	23°F ~ 122°F (-5°C ~ 50°C) (w/ airflow)	PCAP T/S
ACP-1076HTT-B1-1015	7" TFT-LCD	1024 x 600	320 cd/m <sup>2</sup>	150(H) / 145(V)	20,000	Intel® Pentium N4200	2	2	1	1	0	Full Size mSATA x 1	4GB DDR3L RAM Included	HDMI x 1	- Half size mini PCIe slot x 1 with WiFi module installed - Expansion I/O window x 1	Stand, Panel, VESA 75	DC 9~30V	23°F ~ 122°F (-5°C ~ 50°C) (w/ airflow)	PCAP T/S
ACP-1076HTT-B3-1015	7" TFT-LCD	1024 x 600	320 cd/m <sup>2</sup>	150(H) / 145(V)	20,000	Intel® Celeron N3350	2	2	1	1	0	Full Size mSATA x 1	4GB DDR3L RAM Included	HDMI x 1	- Half size mini PCIe slot x 1 with WiFi module installed - Expansion I/O window x 1	Stand, Panel, VESA 75	DC 9~30V	23°F ~ 122°F (-5°C ~ 50°C) (w/ airflow)	PCAP T/S

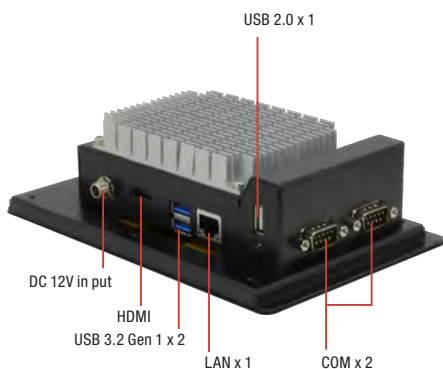
Front View



Top View



Bottom View



## Features

- 7" WSVGA (1024 x 600) Color TFT LCD Display
- Projected Capacitive Touch Screen
- Fanless System
- Onboard LPDDR3L 4GB (2GB Optional)
- Onboard eMMC 64GB (16GB/32GB Optional)
- LAN x 1, COM x 2, USB 3.2 Gen 1 (Type-A) x 2, USB 2.0 x 1
- HDMI x 1
- M.2 2280 B-Key x 1, M.2 2230 E-Key x 1
- DC 12V



Giga LAN



USB 2.0



USB 3.2 Gen 1



M.2



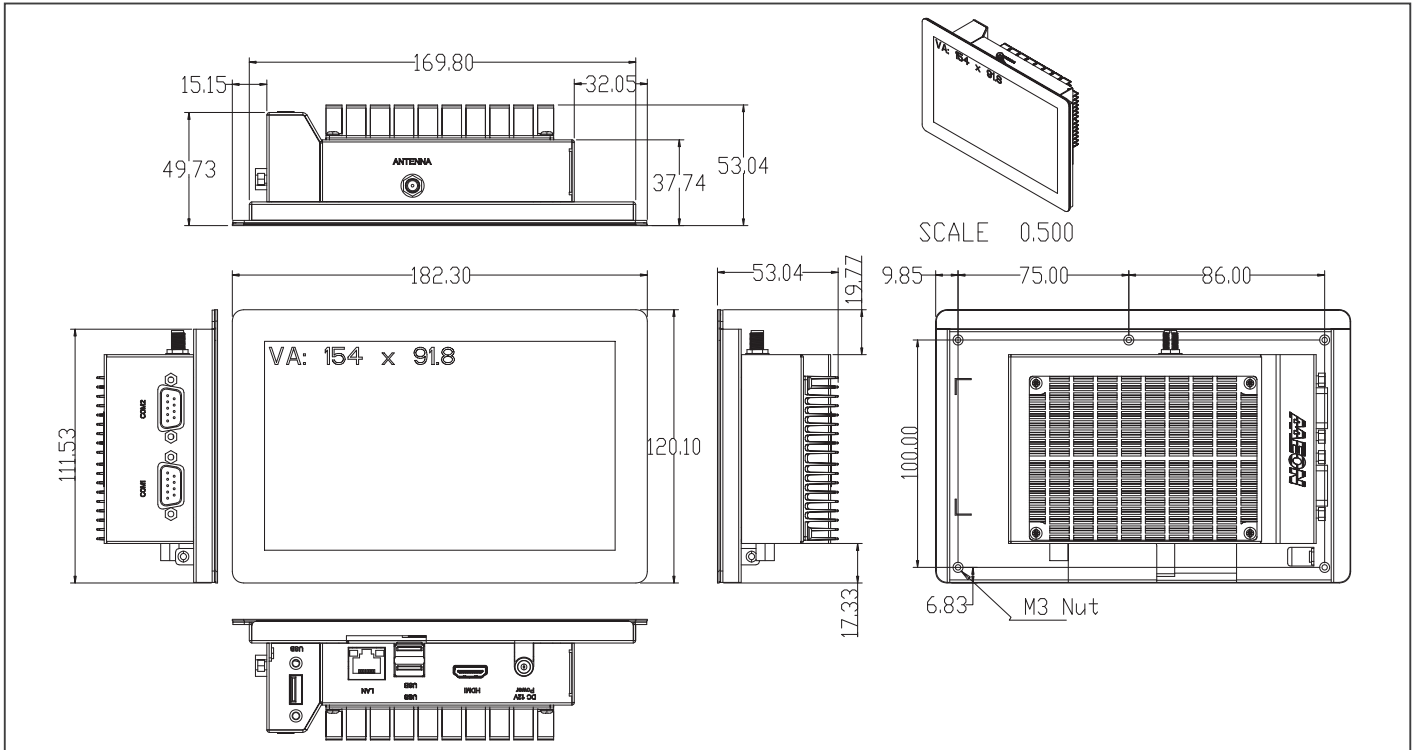
System	
Processor	Intel® Pentium® Processor N4200 Intel® Celeron® Processor N3350
System Memory	Onboard LPDDR3L 4GB (2GB Optional)
LCD/CRT controller	—
Ethernet	GbE x 1
I/O Port	LAN x 1 COM x 2 USB 3.2 Gen 1 (Type-A) x 2 USB 2.0 x 1 HDMI x 1
Storage Disk Drive	Onboard 64GB eMMC (Optional: 16GB/32GB)
Expansion Slot	M.2 2280 B-Key x 1, M.2 2230 E-Key x 1
OS support	Windows® 10 (64-bit)
Mechanical	
Construction	SECC
Mounting	—
Dimension	7.18" x 4.73" x 2.09" (182.3mm x 120.1mm x 53.04mm)
Carton Dimension	14.17" x 9.65" x 4.65" (360mm x 245mm x 118mm)
Gross Weight	1.9 lb. (0.88Kg)
Environmental	
Operating Temperature	32°F ~ 131°F (0°C ~ 55°C) with 0.5 m/s airflow
Storage Temperature	32°F ~ 149°F (0°C ~ 65°C)
Storage Humidity	90% @40°C; non-condensing
Vibration	1 Grms/ 5~ 500Hz/ operation –with HDD
Shock	15 G peak acceleration (11 msec. duration) –with HDD
EMC	CE/FCC Class A
Power Supply	
DC Input	DC 12V
LCD	
Display Type	7" WSVGA Color TFT LCD Display
Max Resolution	1024 x 600
Max. Colors	16.7M
Luminance	320 nits
Viewing Angle	145° (H) ; 150° (V)
Back Light	LED
Back Light MTBF (Hours)	20,000 Hrs
Touchscreen	
Type	Projected Capacitive Multi-Touch
Light Transmission	>=86%





## Dimension

Unit: mm



## Packing List

- **ACP-1075**
- **125530060Y**  
60W Lockable Power Adapter
- **9651107510**  
Panel Mount Kit
- **Screw Pack**

## Optional Accessories

Part Number	Description
170X000799	Power Cord (US Type)
170X001024	Power Cord (European Type)
170X000803	Power Cord (Japanese Type)

## Ordering Information

Part Number	Display Type	Max Resolution	Luminance	View Angle	Backlight MTBF	CPU	LAN	USB 3.2 Gen 1	USB 2.0	RS-232	RS-232 /422/485	Storage	RAM	Display	Expansion	Mounting	Power	Temp.	Touch
ACP-1075HTT-A1-1010	7" TFT LCD	1024 x 600	320 cd/m <sup>2</sup>	145°(H) / 150°(V)	20,000	Intel® Pentium N4200	1	2	1	2	—	64GB eMMC	onBoard 4GB	HDMI x1	M.2 2230 E Key / 2280 B Key x1	Panel Mount	DC 12V	0°C ~ 55°C	Projected Capacitive Touch
ACP-1075HTT-A3-1010	7" TFT LCD	1024 x 600	320 cd/m <sup>2</sup>	145°(H) / 150°(V)	20,000	Intel® Celeron N3350	1	2	1	2	—	64GB eMMC	onBoard 4GB	HDMI x1	M.2 2230 E Key / 2280 B Key x1	Panel Mount	DC 12V	0°C ~ 55°C	Projected Capacitive Touch

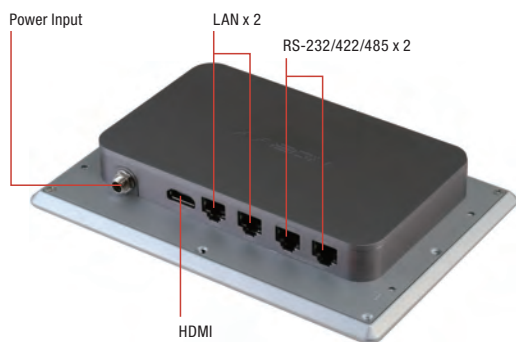
# ACP-1074

7" WSVGA Ultra-slim Fanless Multi Touch Panel PC with Intel® Celeron® J1900/ N2807 Processor, 2GB RAM

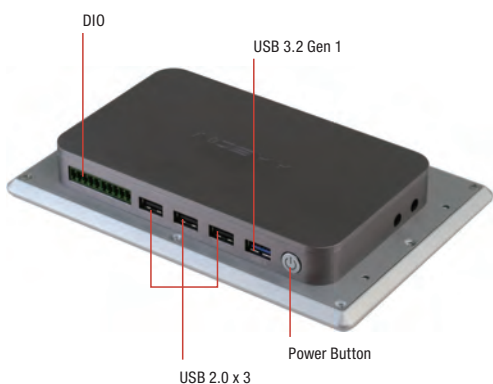
Front View



Top View



Bottom View



## Features

- 7" WSVGA (1024 x 600) Color TFT LCD Display
- Intel® N2807/J1900 Processor
- Wide Flatscreen with P-CAP Multi-Touch (2-point)
- 7H Anti-scratch Surface
- Aluminum Design
- IP65 Compliant
- Fanless Operation
- VESA 75/Panel Mount/ Stand Support



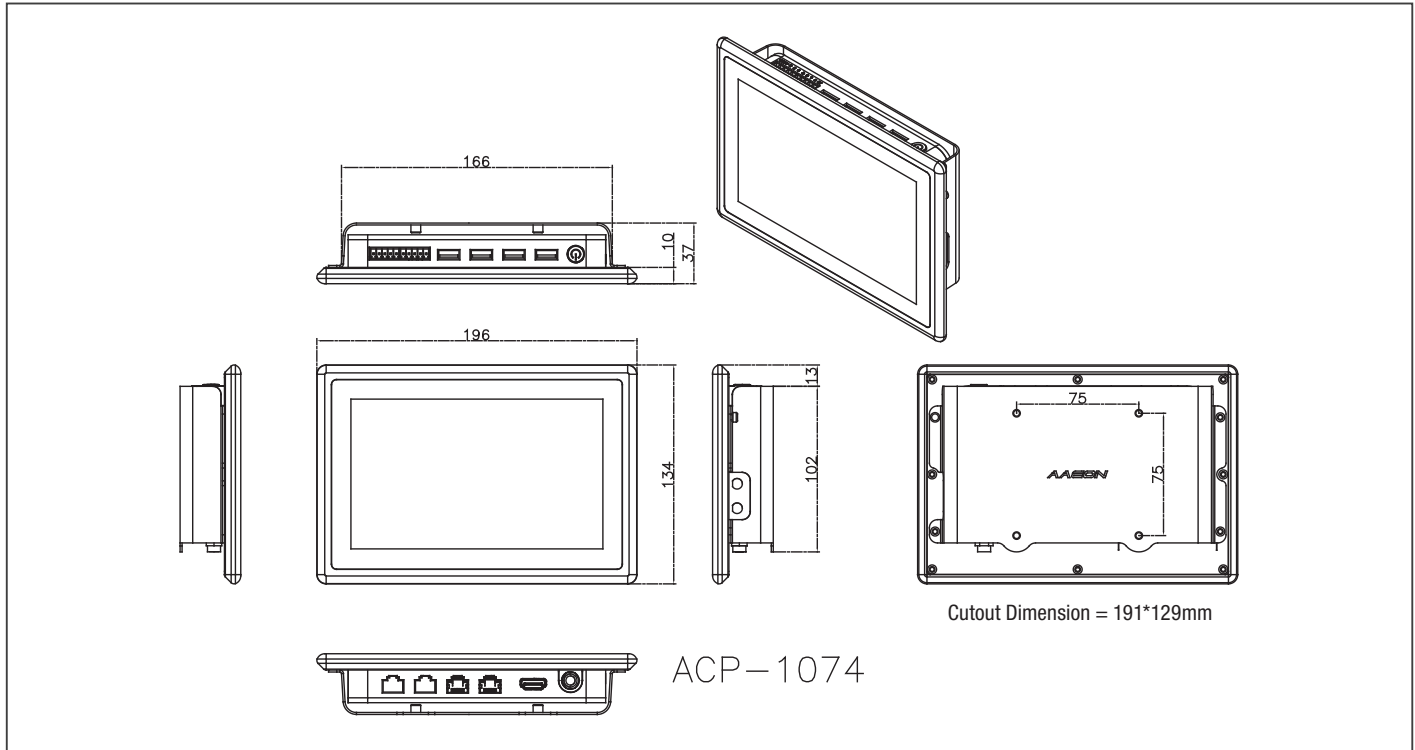
System	
Processor	Intel® N2807 processor, 1.58 GHz Intel® Celeron® J1900 processor, 2 GHz
System Memory	204-Pin DDR3L SODIMM x 1, default 2GB, up to 8 GB (J1900) 204-Pin DDR3L SODIMM x 1, default 2GB, up to 4 GB (N2807)
LCD/CRT controller	Integrated in processor
Ethernet	10/100/1000 Base-TX, RJ-45 x 2
I/O Port	RJ-45 type RS-232/422/485 x 2 USB 2.0 x 3 USB 3.2 Gen 1 x 1 HDMI x 1 DI/O (4DI, 2DO) BIOS Selection Lockable power input connector Power switch x 1
Storage Disk Drive	Half size mSATA storage x 1 (Installation by AAEON recommended)
Expansion Slot	Full size Mini-Card x 1
OS support	Windows® 7, Windows® 8.1, Windows® 10, Linux kernel 2.6.3 or higher
Mechanical	
Construction	Aluminum Design
Mounting	VESA 75/ Panel mount/ Stand
Dimension	7.71" x 5.27" x 1.18" (196mm x 134mm x 30mm)
Carton Dimension	13.58" x 7.87" x 9.64" (345mm x 200mm x 245mm)
Gross Weight	4.8 lb (2.2 kg)
Environmental	
Operating Temperature	32°F ~ 122°F (0°C ~ 50°C) without airflow 23°F ~ 131°F (-5°C ~ 55°C) with airflow
Storage Temperature	-4°F ~ 158°F (-20°C ~ 70°C)
Storage Humidity	5%~90% @40°C, non-condensing
Vibration	1 Grms/ 5~ 500Hz/ operation – with HDD
Shock	15G peak acceleration (11 msec. duration) – with HDD
EMC	CE/FCC class A
Power Supply	
DC Input	DC12V, with lockable power adapter
LCD	
Display Type	7" TFT-LCD, LED
Max Resolution	1024 x 600
Max. Colors	16.7M
Luminance	320 cd/m <sup>2</sup>
Viewing Angle	150° (H), 145° (V)
Back Light	LED
Back Light MTBF (Hours)	20,000
Touchscreen	
Type	Projected capacitive multi-touch (2-point)
Light Transmission	90%





## Dimension

Unit: mm



## Packing List

- **125530060Y**  
Power Adapter, DC12V, 60W
- **1700090156 x 2**  
RJ-45 to COM Cable
- **VESA Mount Kit**
- **Panel Mount Kit**
- **VESA Screws**
- **ACP-1074**

## Optional Accessories

Part Number	Description
170X000799	Power Cord (US Type)
170X001024	Power Cord (European Type)
170X000803	Power Cord (Japanese Type)
M041073020	Stand Kit

## Ordering Information

Part Number	Display Type	Max Resolution	Luminance	View Angle	Backlight MTBF	CPU	LAN	USB 3.2 Gen 1	USB 2.0	RS-232	RS-232 /422/485	Storage	RAM	Display	Expansion	Mounting	Power	Temp.	Touch
ACP-1074HTT-A1-1014	7" TFT-LCD	1024 x 600	320 cd/m <sup>2</sup>	150°(H)/145°(V)	20,000	Intel® Celeron® J1900, 2 GHz	2	1	3	—	2	Half Size mSATA x 1	2GB DDR3L RAM Included	HDMI x 1	—	Panel Mount/ VESA 75/ Stand	DC 12V	0°C ~ 50°C (w/o airflow) -3°F ~ 131°F (-5°C ~ 55°C) (w/ airflow)	Projected Capacitive multi-touch (2-point)
ACP-1074HTT-A3-1014	7" TFT-LCD	1024 x 600	320 cd/m <sup>2</sup>	150°(H)/145°(V)	20,000	Intel® N2807, 1.58 GHz	2	1	3	—	2	Half Size mSATA x 1	2GB DDR3L RAM Included	HDMI x 1	—	Panel Mount/ VESA 75/ Stand	DC 12V	0°C ~ 50°C (w/o airflow) -3°F ~ 131°F (-5°C ~ 55°C) (w/ airflow)	Projected Capacitive multi-touch (2-point)
ACP-1074HTT-B1-1014	7" TFT-LCD	1024 x 600	320 cd/m <sup>2</sup>	150°(H)/145°(V)	20,000	Intel® Celeron® J1900, 2 GHz	2	1	3	—	2	Half Size mSATA x 1	2GB DDR3L RAM Included	HDMI x 1	WiFi	Panel Mount/ VESA 75/ Stand	DC 12V	0°C ~ 50°C (w/o airflow) -3°F ~ 131°F (-5°C ~ 55°C) (w/ airflow)	Projected Capacitive multi-touch (2-point)
ACP-1074HTT-B3-1014	7" TFT-LCD	1024 x 600	320 cd/m <sup>2</sup>	150°(H)/145°(V)	20,000	Intel® N2807, 1.58 GHz	2	1	3	—	2	Half Size mSATA x 1	2GB DDR3L RAM Included	HDMI x 1	WiFi	Panel Mount/ VESA 75/ Stand	DC 12V	0°C ~ 50°C (w/o airflow) -3°F ~ 131°F (-5°C ~ 55°C) (w/ airflow)	Projected Capacitive multi-touch (2-point)

# 05



ES France - Mobilité & Systèmes Embarqués  
127 rue de Buzenval BP 26 - 92380 Garches



Tél. 01 47 95 99 80

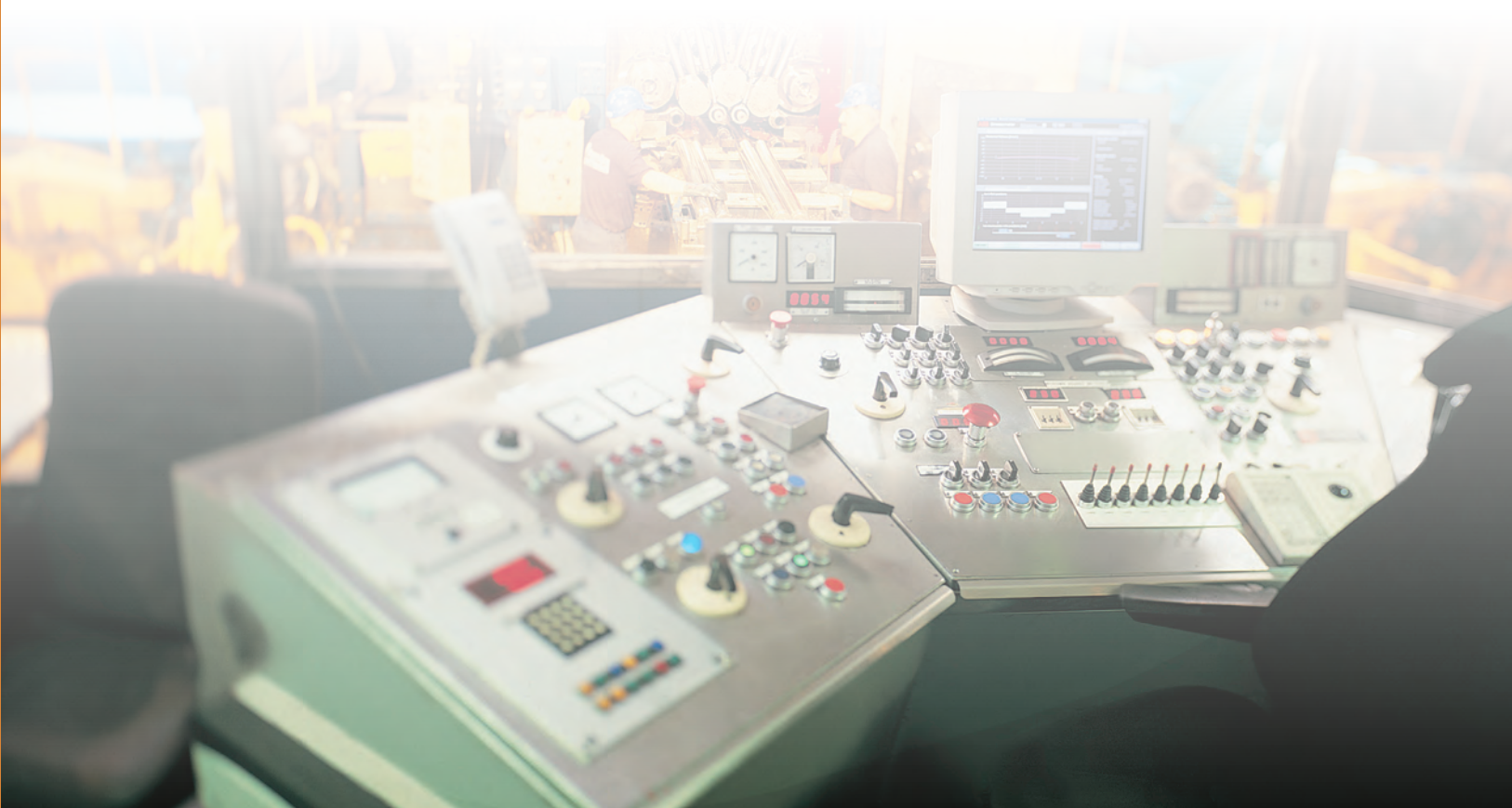


e-mail : [mse@es-france.com](mailto:mse@es-france.com)  
Site Web : [www.es-france.com](http://www.es-france.com)

# 05

## OMNI Series : Modular Builder

Refer to the product introduction on page 00-25 to learn how to order



# OMNI-215D

15.6" OMNI Modular Touch/ LCD Panel Kit



## Features

- 15.6" (1920x1080) / (1366x768) OMNI Modular Touch/ LCD Kit
- Supports Projected Capacitive Multi Touch or Resistive Touch Screen
- IP65 Compliant Aluminum Front Bezel



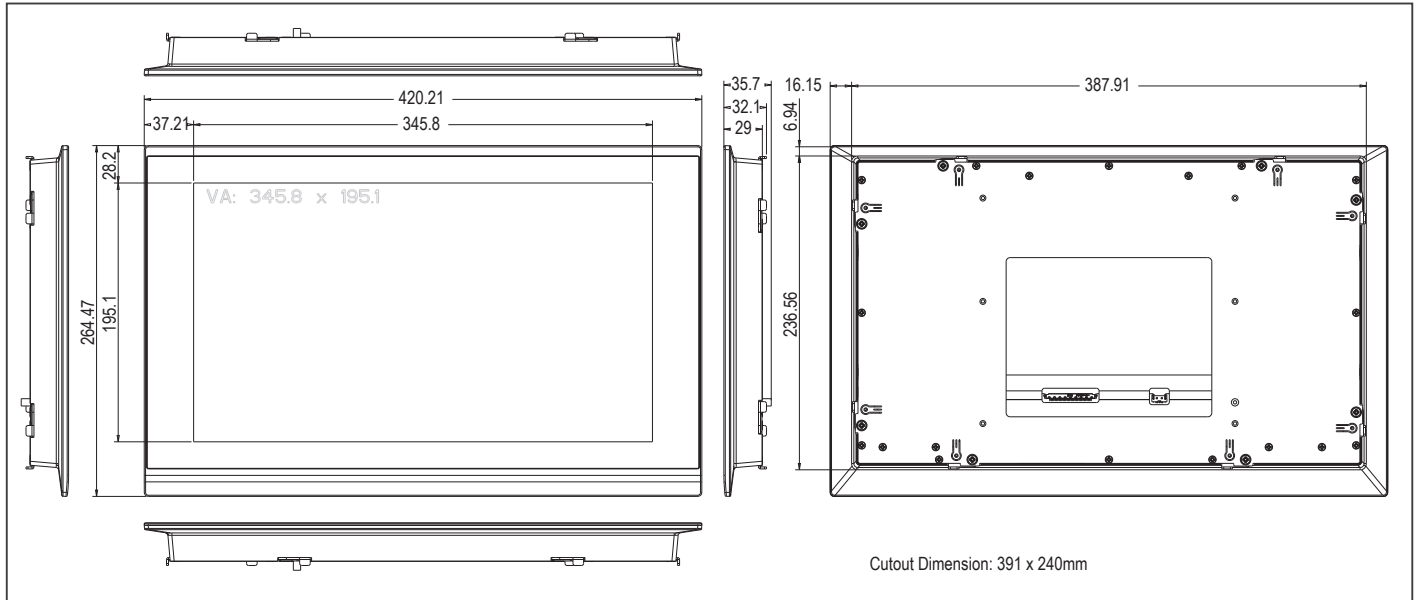
## Specifications

Mechanical	
Construction	Aluminum Front Bezel
Mounting	Panel Mount
Dimension	16.54" x 10.39" x 1.14" (420mm x 264mm x 29mm)
Carton Dimension	20.47" x 17.13" x 7.09" (520mm x 435mm x 180mm)
Gross Weight	11 lb (5 kg)
Environmental	
Operating Temperature	-4°F ~ 131°F (-20°C ~ 55°C) with 0.7 m/s airflow
Storage Temperature	-4°F ~ 140°F (-20°C ~ 60°C)
Storage Humidity	90% @40°C; non-condensing
Vibration	1 Grms/ 5~ 500Hz/ operation – with HDD
Shock	15G peak acceleration (11 msec. duration) – with HDD
EMC	CE/FCC Class A
Power Supply	
DC input	—
LCD	
Display Type	15.6" TFT-LCD, LED
Max Resolution	Regular 1366 (H) x 768 (V) Full HD 1920 (H) x 1080 (V)
Max. Colors	Regular :16.7M (8 bit/color) Full HD: 16.2M
Luminance	Regular : 400 cd/m <sup>2</sup> Full HD : 450 cd/m <sup>2</sup>
Viewing Angle	Regular : 170° (H) ; 130° (V) Full HD: 178° (H) ; 178° (V)
Back Light	LED
Back Light MTBF (hours)	50,000
Touch Screen	
Type	P-CAP/ Full-flap resistive
Light Transmission	90%
Others	1. Connect with OMNI CPU Box Kit 2. Connect with LVDS/USB Type Touch





## Dimension Unit: mm



## Ordering Information

Part Number	Display Type	Max Resolution	Luminance	View Angle	Backlight MTBF (Hours)	Temp.	Touch	Other
OMNI-215DHTT-KIT-A1-1011	15.6" TFT-LCD	1366 x 768	400 cd/m <sup>2</sup>	170°(H), 130°(V)	50,000	-20°C ~ 50°C	Resistive Touch Screen	Support OMNI BT/SKU BOX kit
OMNI-215DHTT-KIT-A2-1012	15.6" TFT-LCD	1366 x 768	400 cd/m <sup>2</sup>	170°(H), 130°(V)	50,000	-20°C ~ 50°C	Projected Capacitive Touch	Support OMNI BT/SKU BOX kit
OMNI-215DHTTE-KIT-A1-1010	15.6" TFT-LCD	1366 x 768	400 cd/m <sup>2</sup>	170°(H), 130°(V)	50,000	-20°C ~ 50°C	Resistive Touch Screen	Support OMNI ADP BOX kit
OMNI-215DHTTE-KIT-A2-1010	15.6" TFT-LCD	1366 x 768	400 cd/m <sup>2</sup>	170°(H), 130°(V)	50,000	-20°C ~ 50°C	Projected Capacitive Touch	Support OMNI ADP BOX kit
OMNI-215DHDTE-KIT-A1-1010	15.6" TFT-LCD	1920 x 1080	450 cd/m <sup>2</sup>	178°(H), 178°(V)	50,000	-20°C ~ 50°C	Resistive Touch Screen	Support OMNI ADP BOX kit
OMNI-215DHDTE-KIT-A2-1010	15.6" TFT-LCD	1920 x 1080	450 cd/m <sup>2</sup>	178°(H), 178°(V)	50,000	-20°C ~ 50°C	Projected Capacitive Touch	Support OMNI ADP BOX kit
OMNI-215DHTTE-KIT-A1-2010	15.6" TFT-LCD	1366 x 768	400 cd/m <sup>2</sup>	170°(H), 130°(V)	50,000	-20°C ~ 50°C	Projected Capacitive Touch	Support OMNI ADN BOX kit
OMNI-215DHDTE-KIT-A1-2010	15.6" TFT-LCD	1920 x 1080	450 cd/m <sup>2</sup>	178°(H), 178°(V)	50,000	-20°C ~ 50°C	Projected Capacitive Touch	Support OMNI ADN BOX kit

# OMNI-221D

21.5" OMNI Modular Touch/ LCD Panel Kit



## Features

- 21.5" (1920 x 1080) OMNI Modular Touch/ LCD Kit
- Supports Projected Capacitive Multi Touch or Resistive Touch Screen
- IP65 Compliant Aluminum Front Bezel



## Specifications

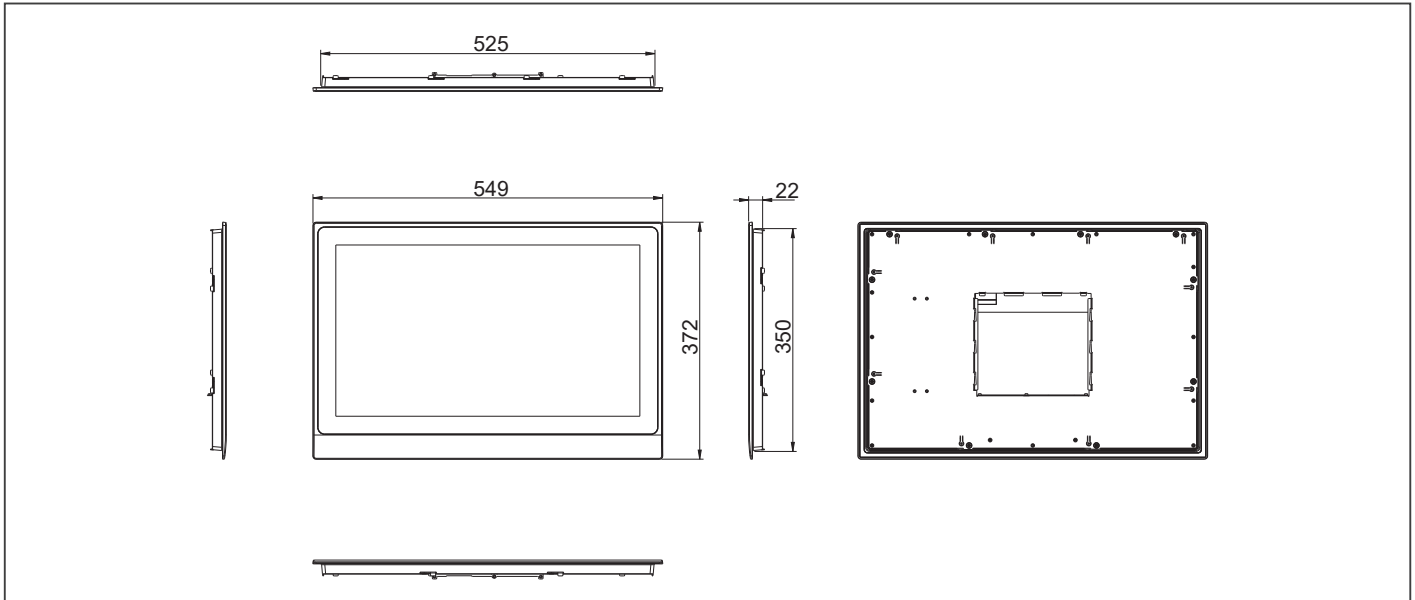
Mechanical	
Construction	Aluminum Front Bezel
Mounting	Panel Mount
Dimension	21.61" x 14.65" x 0.87" (549mm x 372mm x 22mm)
Carton Dimension	26.38" x 7.87" x 20.67" (670mm x 200mm x 525mm)
Gross Weight	11 lb (5 kg)
Environmental	
Operating Temperature	-4°F ~ 131°F (-20°C ~ 55°C) with 0.7 m/s airflow
Storage Temperature	-4°F~140°F (-20°C~60°C)
Storage Humidity	90% @40°C; non-condensing
Vibration	1 Grms/ 5~ 500Hz/ operation – with HDD
Shock	15G peak acceleration (11 msec. duration) – with HDD
EMC	CE/FCC Class A
Power Supply	
DC input	—
LCD	
Display Type	21.5" TFT-LCD, LED
Max Resolution	1920 x 1080
Max. Colors	16.7M colors
Luminance	250 cd/m <sup>2</sup>
Viewing Angle	178° (H), 178° (V)
Back Light	LED
Back Light MTBF (hours)	50,000
Touch Screen	
Type	P-CAP/ Full-flap resistive
Light Transmission	90%
Others	1. Connect with OMNI CPU Box Kit 2. Connect with LVDS/USB Type Touch





## Dimension

Unit: mm



## Ordering Information

Part Number	Display Type	Max Resolution	Luminance	View Angle	Backlight MTBF (Hours)	Temp.	Touch	Other
OMNI-221DHTT-KIT-A1-1012	21.5" TFT-LCD	1920 x 1080	250 cd/m <sup>2</sup>	178°(H), 178°(V)	50,000	-20°C ~ 50°C	Resistive Touch Screen	Support OMNI BT/SKU BOX kit
OMNI-221DHTT-KIT-A2-1013	21.5" TFT-LCD	1920 x 1080	250 cd/m <sup>2</sup>	178°(H), 178°(V)	50,000	-20°C ~ 50°C	Projected Capacitive Touch	Support OMNI BT/SKU BOX kit
OMNI-221DHTTE-KIT-A1-1010	21.5" TFT-LCD	1920 x 1080	250 cd/m <sup>2</sup>	178°(H), 178°(V)	50,000	-20°C ~ 50°C	Resistive Touch Screen	Support OMNI ADP BOX kit
OMNI-221DHTTE-KIT-A2-1010	21.5" TFT-LCD	1920 x 1080	250 cd/m <sup>2</sup>	178°(H), 178°(V)	50,000	-20°C ~ 50°C	Projected Capacitive Touch	Support OMNI ADP BOX kit
OMNI-221DHTTE-KIT-A1-2010	21.5" TFT-LCD	1920 x 1080	250 cd/m <sup>2</sup>	178°(H), 178°(V)	50,000	-20°C ~ 50°C	Projected Capacitive Touch	Support OMNI ADN BOX kit

# OMNI-224D PRELIMINARY

23.8" OMNI Modular Touch/ LCD Panel Kit



## Features

- 23.8" (1920 x 1080) TFT LCD Display
- Supports Projected Capacitive Multi Touch
- IP65 Compliant Front Bezel



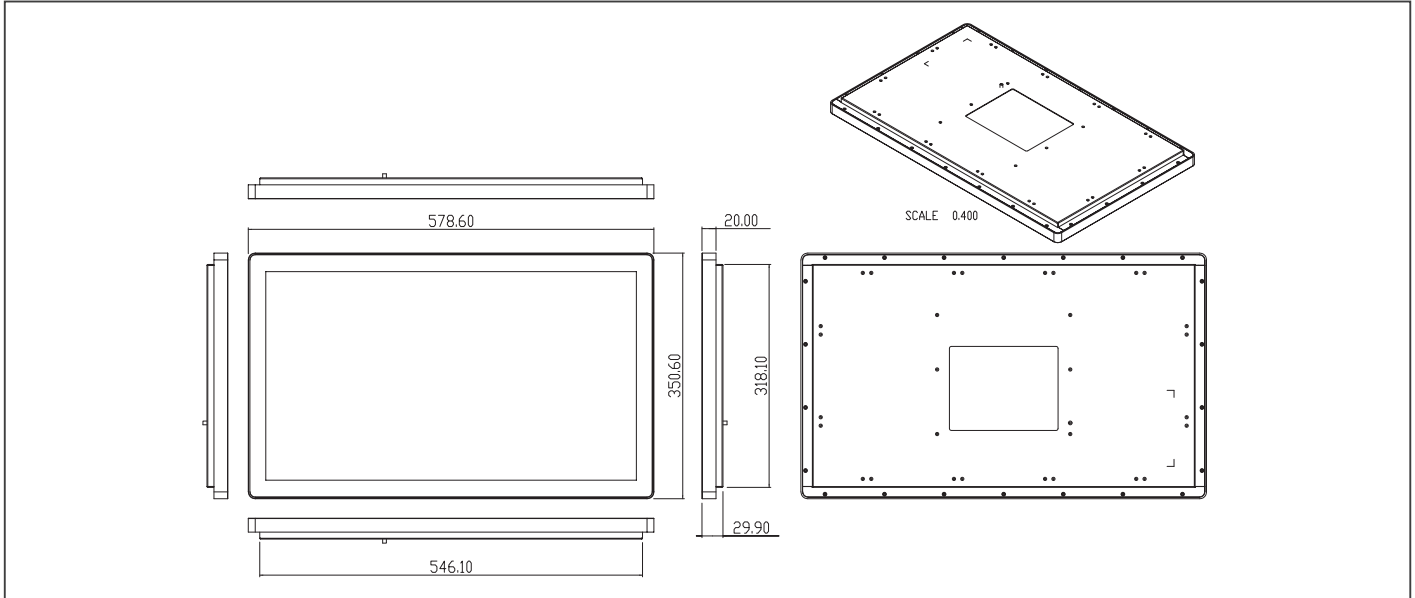
## Specifications

Mechanical	
Construction	Aluminum Front Bezel + Metal Chassis
Mounting	VESA / Panel Mount
Dimension	22.8" x 13.8" x 0.8" (578.60mm x 350.60mm x 20.00mm)
Carton Dimension	28.15" x 20.08" x 8.58" (715mm x 510mm x 218mm)
Gross Weight	TBD
Environmental	
Operating Temperature	-40F~1220F (-20°C~50°C) with airflow
Storage Temperature	-40F~1400F(-20°C~60°C)
Storage Humidity	90% @40°C; non-condensing
Vibration	1Grms / 5~ 500Hz / operation
Shock	15 G peak acceleration (11 msec. duration)
EMC	CE/FCC Class A Compatible
Power Supply	
DC input	DC 9~30V
LCD	
Display Type	23.8" TFT-LCD, LED
Max Resolution	1920 x 1080
Max. Colors	16.7M colors
Luminance	450 cd/m²
Viewing Angle	178° (H) ; 178° (V)
Back Light	LED
Back Light MTBF (hours)	50,000 Hrs
Touch Screen	
Type	Projective Touch (Max. 10 Point)
Light Transmission	86%
Others	1. Connect with OMNI-Box Kit 2. Connect with LVDS/USB Type Touch



## Dimension

Unit: mm



## Ordering Information

Part Number	Display Type	Max Resolution	Luminance	View Angle	Backlight MTBF (Hours)	Operating Temp.	Touch	Other
OMNI-224DHTTE-KIT-A2-1010	23.8" TFT-LCD, LED	1920 x 1080	450 cd/m <sup>2</sup>	178° (H) ; 178° (V)	50,000 Hrs	-4oF~122oF (-20°C~50°C) with airflow	Projective Touch	Support OMNI CPU BOX kit

# OMNI-227D PRELIMINARY

27" OMNI Modular Touch/ LCD Panel Kit



OMNI Series : Modular Builder - Panel Kit



## Features

- 27" (1920 x 1080) TFT LCD Display
- Supports Projected Capacitive Multi Touch
- IP65 Compliant Front Bezel



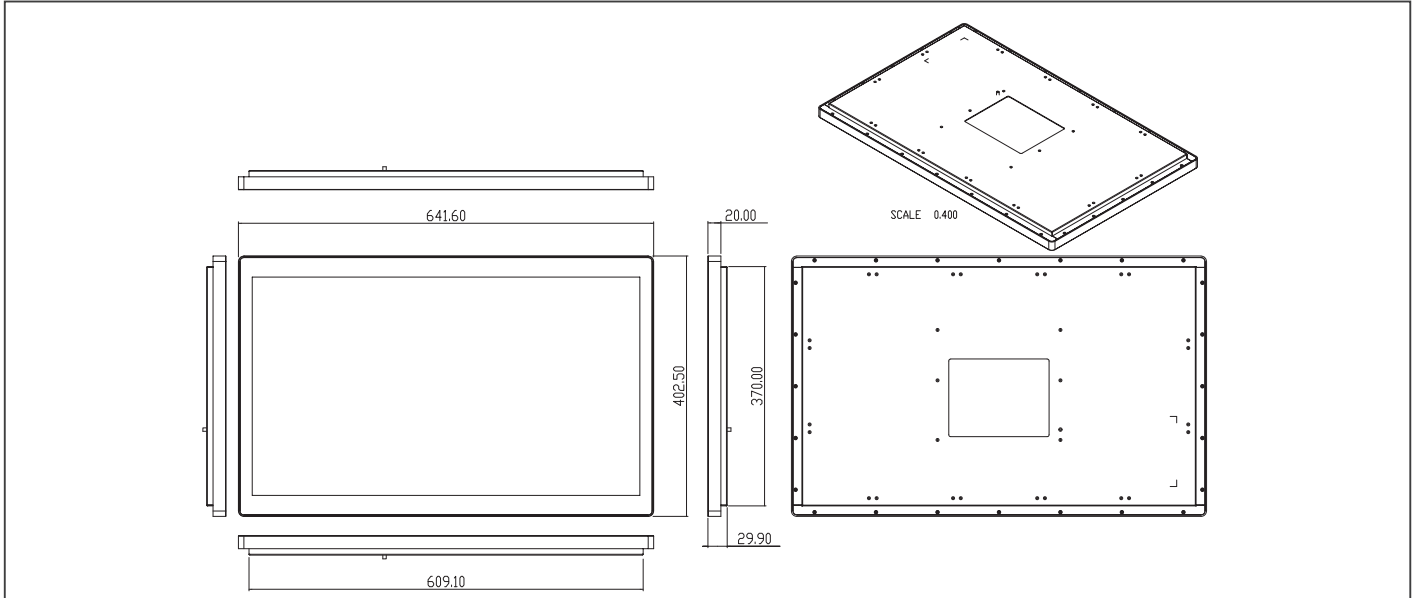
## Specifications

Mechanical	
Construction	Aluminum Front Bezel + Metal Chassis
Mounting	VESA / Panel Mount
Dimension	25.3" x 15.8" x 0.8" (641.60 mm x 402.50 mm x 20.00 mm)
Carton Dimension	30.70" x 22.24" x 8.58" (780mm x 565mm x 218mm)
Gross Weight	TBD
Environmental	
Operating Temperature	32oF~113oF (0°C~45°C) with airflow
Storage Temperature	-4oF~140oF(-20°C~60°C)
Storage Humidity	90% @40°C; non-condensing
Vibration	1Grms / 5~ 500Hz / operation
Shock	15 G peak acceleration (11 msec. duration)
EMC	CE/FCC Class A Compatible
Power Supply	
DC input	DC 9~30V
LCD	
Display Type	27" TFT-LCD, LED
Max Resolution	1920 x 1080
Max. Colors	16.7M colors
Luminance	300 cd/m <sup>2</sup>
Viewing Angle	178° (H) ; 178° (V)
Back Light	LED
Back Light MTBF (hours)	30,000 Hrs
Touch Screen	
Type	Projective Touch (Max. 10 Point)
Light Transmission	86%
Others	1. Connect with OMNI-Box Kit 2. Connect with LVDS/USB Type Touch



## Dimension

Unit: mm



## Ordering Information

Part Number	Display Type	Max Resolution	Luminance	View Angle	Backlight MTBF (Hours)	Operating Temp.	Touch	Other
OMNI-227DHTTE-KIT-A2-1010	27" TFT-LCD, LED	1920 x 1080	300 cd/m <sup>2</sup>	178° (H) ; 178° (V)	30,000 Hrs	32oF~113oF (0°C~45°C) with airflow	Projective Touch	Support OMNI CPU BOX kit

# OMNI-310D

10.4" OMNI Modular Touch/ LCD Panel Kit



## Features

- 10.4" (800 x 600) / (1024 x 768) OMNI Modular Touch/ LCD Kit
- Supports Projected Capacitive Multi Touch or Resistive Touch Screen
- IP65 Compliant Aluminum Front Bezel



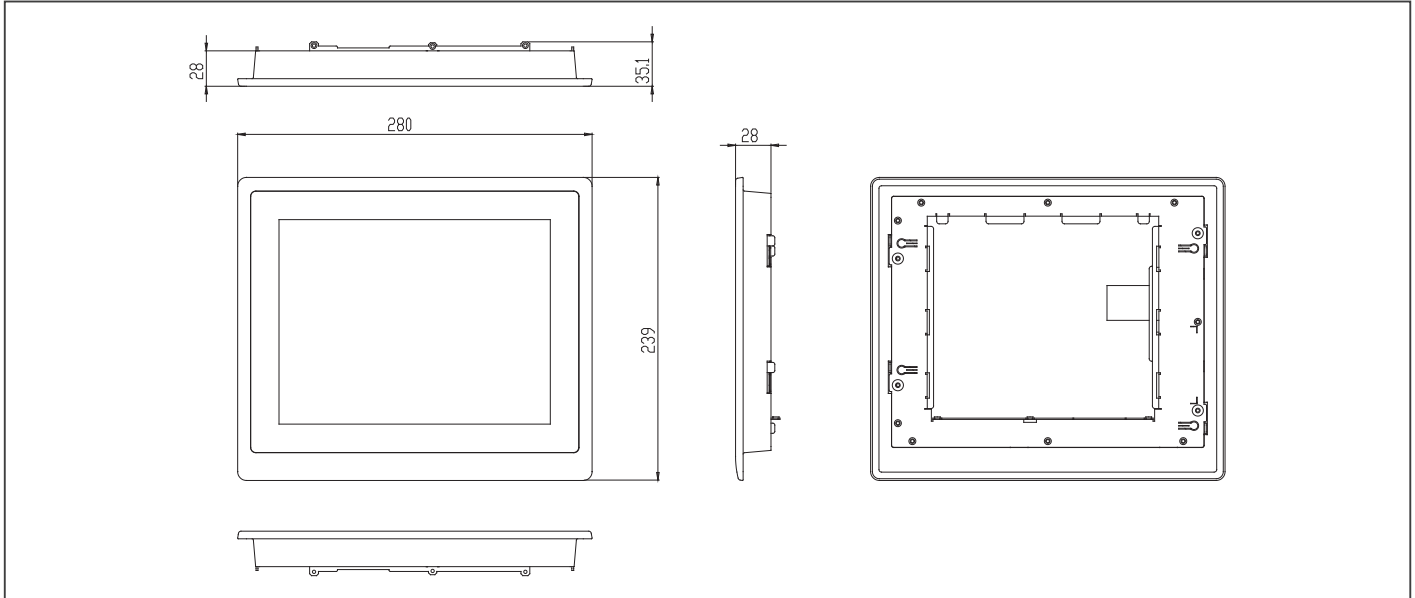
## Specifications

Mechanical	
Construction	Aluminum Front Bezel
Mounting	Panel Mount
Dimension	11.02" x 9.41" x 1.1" (280mm x 239mm x 28mm)
Carton Dimension	16.34" x 7.05" x 15.39" (415mm x 179mm x 391mm)
Gross Weight	3.08 lb (1.4 kg)
Environmental	
Operating Temperature	-4°F ~ 131°F (-20°C ~ 55°C) with 0.7 m/s airflow
Storage Temperature	-4°F~140°F (-20°C~60°C)
Storage Humidity	90% @40°C; non-condensing
Vibration	1 Grms/ 5~ 500Hz/ operation – with HDD
Shock	15G peak acceleration (11 msec. duration) – with HDD
EMC	CE/FCC Class A
Power Supply	
DC input	—
LCD	
Display Type	10.4" TFT-LCD, LED
Max Resolution	Support BT/SKU: 800 x 600 Support ADP/ADN: 1024 x 768
Max. Colors	Support BT/SKU: 16.2M Support ADP/ADN: 16.7M
Luminance	Support BT/SKU: 230 cd/m <sup>2</sup> Support ADP/ADN: 500 cd/m <sup>2</sup>
Viewing Angle	Support BT/SKU: 120° (H) x 100° (V) Support ADP/ADN: 176° (H) x 176° (V)
Back Light	LED
Back Light MTBF (hours)	50,000
Touch Screen	
Type	P-CAP/ Full-flap resistive
Light Transmission	90%
Others	1. Connect with OMNI CPU Box Kit 2. Connect with LVDS/ USB Type Touch



## Dimension

Unit: mm



## Ordering Information

Part Number	Display Type	Max Resolution	Luminance	View Angle	Backlight MTBF (Hours)	Temp.	Touch	Other
OMNI-310DHTT-KIT-A1-1011	10.4" TFT-LCD	800 x 600	230 cd/m <sup>2</sup>	120°(H), 100°(V)	50,000	-20°C ~ 50°C	Resistive Touch Screen	Support OMNI BT/SKU BOX kit
OMNI-310DHTT-KIT-A2-1011	10.4" TFT-LCD	800 x 600	230 cd/m <sup>2</sup>	120°(H), 100°(V)	50,000	-20°C ~ 50°C	Projected Capacitive Touch	Support OMNI BT/SKU BOX kit
OMNI-310DHTTE-KIT-A1-1010	10.4" TFT-LCD	1024 x 768	500 cd/m <sup>2</sup>	176°(H), 176°(V)	50,000	-20°C ~ 50°C	Resistive Touch Screen	Support OMNI ADP BOX kit
OMNI-310DHTTE-KIT-A2-1010	10.4" TFT-LCD	1024 x 768	500 cd/m <sup>2</sup>	176°(H), 176°(V)	50,000	-20°C ~ 50°C	Projected Capacitive Touch	Support OMNI ADP BOX kit
OMNI-310DHTTE-KIT-A1-2010	10.4" TFT-LCD	1024 x 768	500 cd/m <sup>2</sup>	176°(H), 176°(V)	50,000	-20°C ~ 50°C	Projected Capacitive Touch	Support OMNI ADN BOX kit

# OMNI-312D

12.1" OMNI Modular Touch/ LCD Panel Kit



## Features

- 12.1" (1024 x 768) OMNI Modular Touch/ LCD Kit
- Supports Projected Capacitive Multi Touch or Resistive Touch Screen
- IP65 Compliant Aluminum Front Bezel



## Specifications

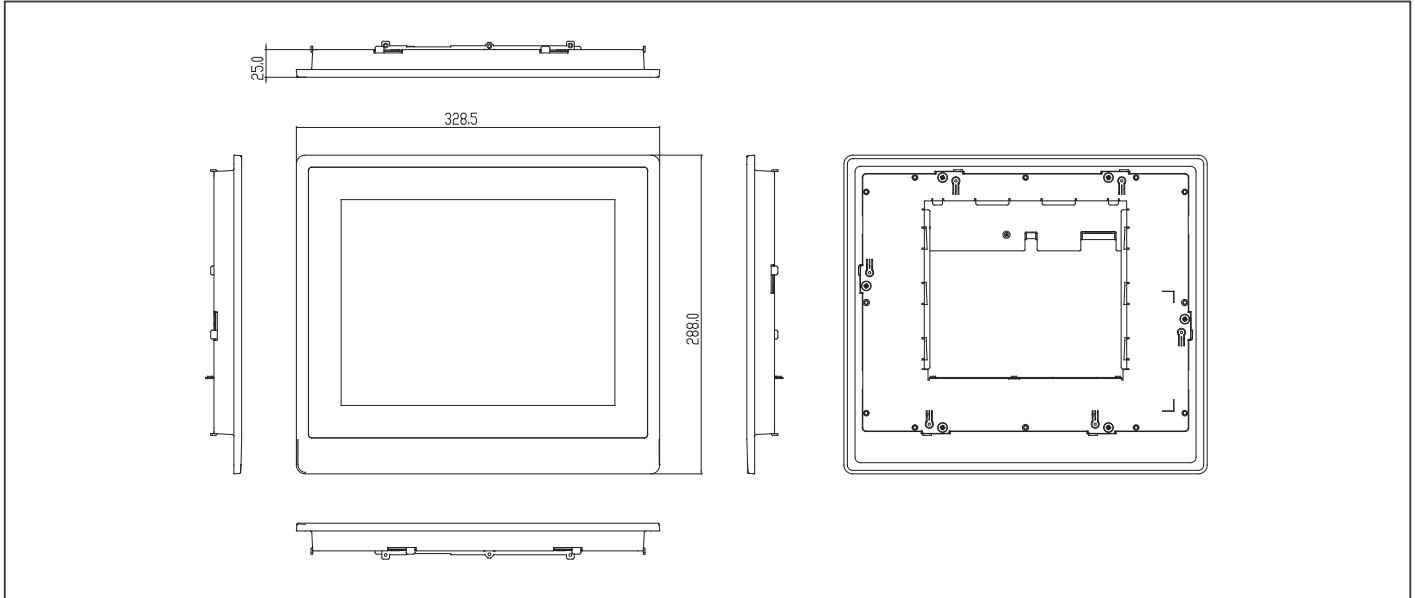
Mechanical	
Construction	Aluminum Front Bezel
Mounting	Panel Mount
Dimension	12.95" x 11.34" x 0.98" (329mm x 288mm x 25mm)
Carton Dimension	20.87" x 17.52" x 7.87" (530mm x 445mm x 200mm)
Gross Weight	4.4 lb (2 kg)
Environmental	
Operating Temperature	-4°F ~ 131°F (-20°C ~ 55°C) with 0.7 m/s airflow
Storage Temperature	-4°F~140°F (-20°C~60°C)
Storage Humidity	90% @40°C; non-condensing
Vibration	1 Grms/ 5~ 500Hz/ operation – with HDD
Shock	15G peak acceleration (11 msec. duration) – with HDD
EMC	CE/FCC Class A
Power Supply	
DC input	—
LCD	
Display Type	12.1" TFT-LCD, LED
Max Resolution	1024 x 768
Max. Colors	16.2M colors
Luminance	500 cd/m <sup>2</sup>
Viewing Angle	160° (H), 160° (V)
Back Light	LED
Back Light MTBF (hours)	50,000
Touch Screen	
Type	P-CAP/ Full-flap resistive
Light Transmission	90%
Others	1. Connect with OMNI CPU Box Kit 2. Connect with LVDS/USB Type Touch





## Dimension

Unit: mm



## Ordering Information

Part Number	Display Type	Max Resolution	Luminance	View Angle	Backlight MTBF (Hours)	Temp.	Touch	Other
OMNI-312DHTT-KIT-A1-1011	12.1" TFT-LCD	1024 x 768	500 cd/m <sup>2</sup>	160°(H), 160°(V)	50,000	-20°C ~ 50°C	Resistive Touch Screen	Support OMNI BT/SKU BOX kit
OMNI-312DHTT-KIT-A2-1011	12.1" TFT-LCD	1024 x 768	500 cd/m <sup>2</sup>	160°(H), 160°(V)	50,000	-20°C ~ 50°C	Projected Capacitive Touch	Support OMNI BT/SKU BOX kit
OMNI-312DHTTE-KIT-A1-1010	12.1" TFT-LCD	1024 x 768	500 cd/m <sup>2</sup>	160°(H), 160°(V)	50,000	-20°C ~ 50°C	Resistive Touch Screen	Support OMNI ADP BOX kit
OMNI-312DHTTE-KIT-A2-1010	12.1" TFT-LCD	1024 x 768	500 cd/m <sup>2</sup>	160°(H), 160°(V)	50,000	-20°C ~ 50°C	Projected Capacitive Touch	Support OMNI ADP BOX kit
OMNI-312DHTTE-KIT-A1-2010	12.1" TFT-LCD	1024 x 768	500 cd/m <sup>2</sup>	160°(H), 160°(V)	50,000	-20°C ~ 50°C	Projected Capacitive Touch	Support OMNI ADN BOX kit
OMNI-312DHTTE-KIT-A2-2010	12.1" TFT-LCD	1024 x 768	500 cd/m <sup>2</sup>	160°(H), 160°(V)	50,000	-20°C ~ 50°C	Resistive Touch Screen	Support OMNI ADN BOX kit

# OMNI-315D

15" OMNI Modular Touch/ LCD Panel Kit



## Features

- 15" (1024 x 768) OMNI Modular Touch/ LCD Kit
- Supports Projected Capacitive Multi Touch or Resistive Touch Screen
- IP65 Compliant Aluminum Front Bezel



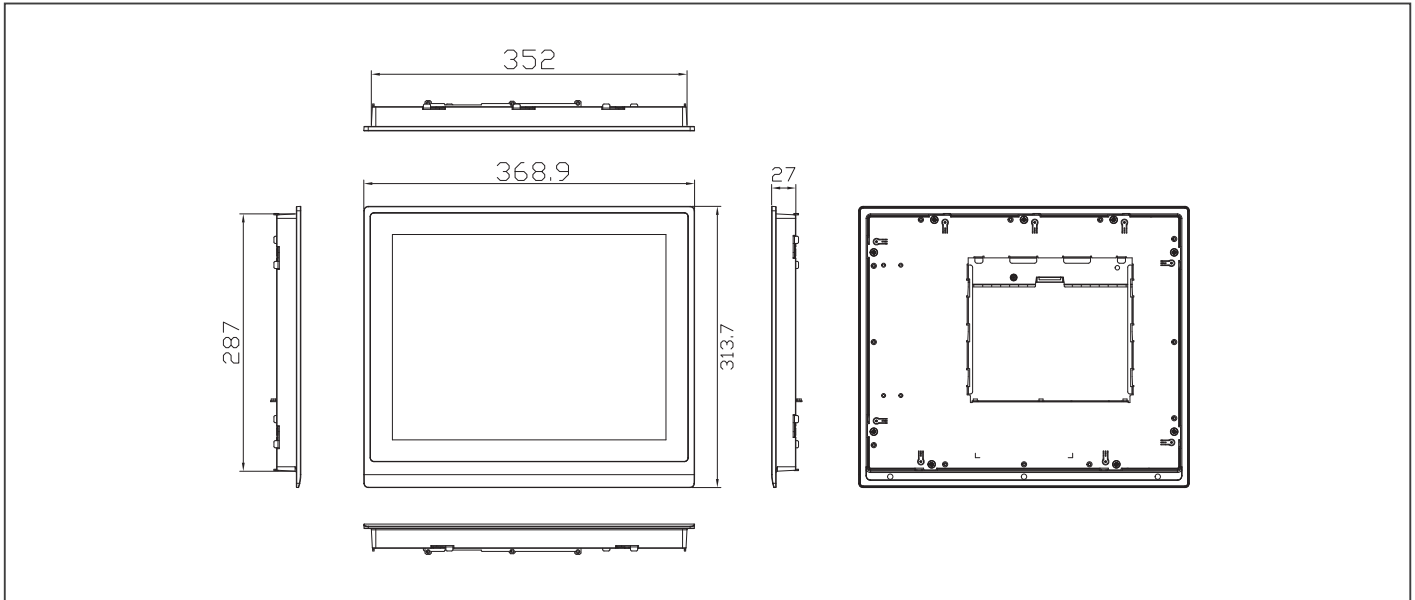
## Specifications

Mechanical	
Construction	Aluminum Front Bezel
Mounting	Panel Mount
Dimension	14.53" x 12.36" x 1.06" (369mm x 314mm x 27mm)
Carton Dimension	20.08" x 9.84" x 18.11" (510mm x 250mm x 460mm)
Gross Weight	11.66 lb (5.3 kg)
Environmental	
Operating Temperature	-4°F ~ 131°F (-20°C ~ 55°C) with 0.7 m/s airflow
Storage Temperature	-4°F~140°F (-20°C~60°C)
Storage Humidity	90% @40°C; non-condensing
Vibration	1 Grms/ 5~ 500Hz/ operation – with HDD
Shock	15G peak acceleration (11 msec. duration) – with HDD
EMC	CE/FCC Class A
Power Supply	
DC input	—
LCD	
Display Type	15" TFT-LCD, LED
Max Resolution	1024 x 768
Max. Colors	16.2M (8bit/color)
Luminance	300 cd/m <sup>2</sup>
Viewing Angle	176° (H), 176° (V)
Back Light	LED
Back Light MTBF (hours)	70,000
Touch Screen	
Type	P-CAP/ Full-flap resistive
Light Transmission	90%
Others	1. Connect with OMNI CPU Box Kit 2. Connect with LVDS/USB Type Touch



## Dimension

Unit: mm



## Ordering Information

Part Number	Display Type	Max Resolution	Luminance	View Angle	Backlight MTBF (Hours)	Temp.	Touch	Other
OMNI-315DHTT-KIT-A1-1012	15" TFT-LCD	1024 x 768	300 cd/m <sup>2</sup>	176°(H), 176°(V)	70,000	-20°C ~ 50°C	Resistive Touch Screen	Support OMNI BT/SKU BOX kit
OMNI-315DHTT-KIT-A2-1012	15" TFT-LCD	1024 x 768	300 cd/m <sup>2</sup>	176°(H), 176°(V)	70,000	-20°C ~ 50°C	Projected Capacitive Touch	Support OMNI BT/SKU BOX kit
OMNI-315DHTTE-KIT-A1-1010	15" TFT-LCD	1024 x 768	300 cd/m <sup>2</sup>	176°(H), 176°(V)	70,000	-20°C ~ 50°C	Resistive Touch Screen	Support OMNI ADP BOX kit
OMNI-315DHTTE-KIT-A2-1010	15" TFT-LCD	1024 x 768	300 cd/m <sup>2</sup>	176°(H), 176°(V)	70,000	-20°C ~ 50°C	Projected Capacitive Touch	Support OMNI ADP BOX kit
OMNI-315DHTTE-KIT-A1-2010	15" TFT-LCD	1024 x 768	300 cd/m <sup>2</sup>	176°(H), 176°(V)	70,000	-20°C ~ 50°C	Projected Capacitive Touch	Support OMNI ADN BOX kit
OMNI-315DHTTE-KIT-A2-2010	15" TFT-LCD	1024 x 768	300 cd/m <sup>2</sup>	176°(H), 176°(V)	70,000	-20°C ~ 50°C	Resistive Touch Screen	Support OMNI ADN BOX kit

# OMNI-317D

17" OMNI Modular Touch/ LCD Panel Kit



## Features

- 17" (1280 x 1024) MNI Modular Touch/ LCD Kit
- Supports Projected Capacitive Multi Touch or Resistive Touch Screen
- IP65 Compliant Aluminum Front Bezel



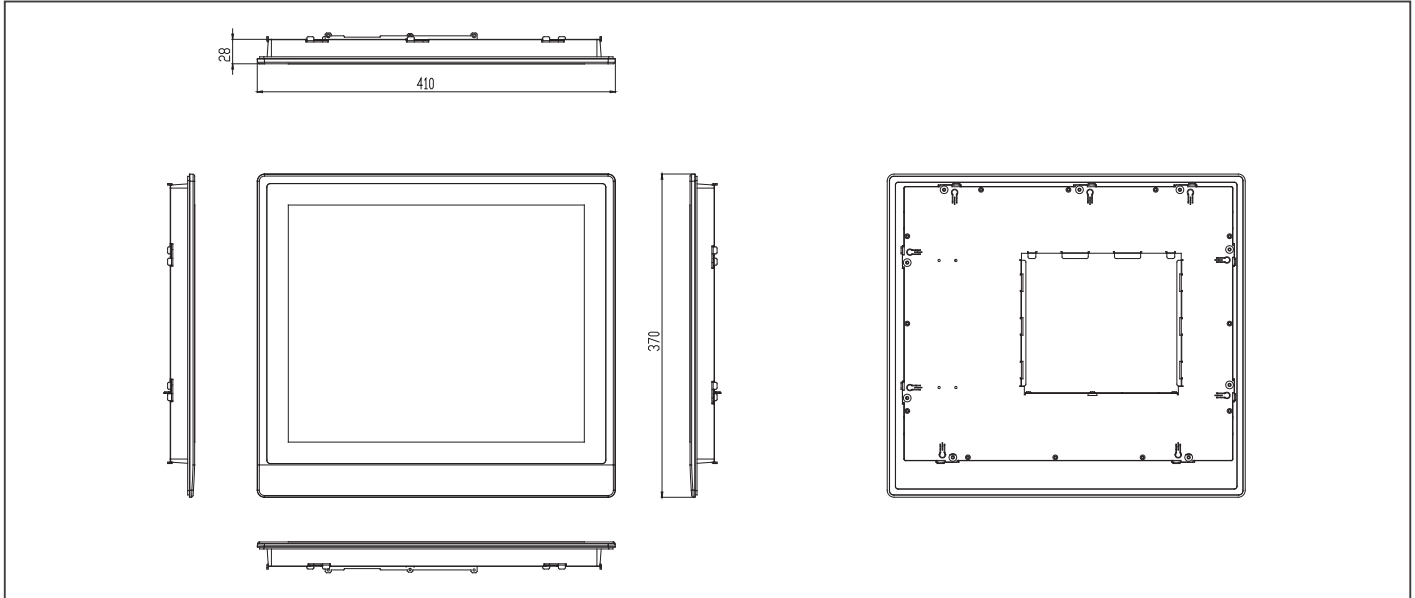
## Specifications

Mechanical	
Construction	Aluminum Front Bezel
Mounting	Panel Mount
Dimension	16.14" x 14.57" x 1.1" (410mm x 370mm x 28mm)
Carton Dimension	20.47" x 10.32" x 19.29" (522mm x 262mm x 490mm)
Gross Weight	8.8 lb(4 kg)
Environmental	
Operating Temperature	-4°F ~ 131°F (-20°C ~ 55°C) with 0.7 m/s airflow
Storage Temperature	-4°F~140°F (-20°C~60°C)
Storage Humidity	90% @40°C; non-condensing
Vibration	1 Grms/ 5~ 500Hz/ operation – with HDD
Shock	15G peak acceleration (11 msec. duration) – with HDD
EMC	CE/FCC Class A
Power Supply	
DC input	—
LCD	
Display Type	17" TFT-LCD, LED
Max Resolution	1280 x 1024
Max. Colors	16.7M colors
Luminance	350 cd/m <sup>2</sup>
Viewing Angle	170° (H), 160° (V)
Back Light	LED
Back Light MTBF (hours)	50,000
Touch Screen	
Type	P-CAP/ Full-flap resistive
Light Transmission	90%
Others	1. Connect with OMNI CPU Box Kit 2. Connect with LVDS/USB Type Touch



## Dimension

Unit: mm



## Ordering Information

Part Number	Display Type	Max Resolution	Luminance	View Angle	Backlight MTBF (Hours)	Temp.	Touch	Other
OMNI-317DHTT-KIT-A1-1012	17" TFT-LCD	1280 x 1024	350 cd/m <sup>2</sup>	170°(H), 160°(V)	50,000	-20°C ~ 50°C	Resistive Touch Screen	Support OMNI BT/SKU BOX kit
OMNI-317DHTT-KIT-A2-1011	17" TFT-LCD	1280 x 1024	350 cd/m <sup>2</sup>	170°(H), 160°(V)	50,000	-20°C ~ 50°C	Projected Capacitive Touch	Support OMNI BT/SKU BOX kit
OMNI-317DHTTE-KIT-A1-1010	17" TFT-LCD	1280 x 1024	350 cd/m <sup>2</sup>	170°(H), 160°(V)	50,000	-20°C ~ 50°C	Resistive Touch Screen	Support OMNI ADP BOX kit
OMNI-317DHTTE-KIT-A2-1010	17" TFT-LCD	1280 x 1024	350 cd/m <sup>2</sup>	170°(H), 160°(V)	50,000	-20°C ~ 50°C	Projected Capacitive Touch	Support OMNI ADP BOX kit

# OMNI-319D

19" OMNI Modular Touch/ LCD Panel Kit



## Features

- 19" (1280 x 1024) OMNI Modular Touch/ LCD Kit
- Supports Projected Capacitive Multi Touch or Resistive Touch Screen
- IP65 Compliant Aluminum Front Bezel



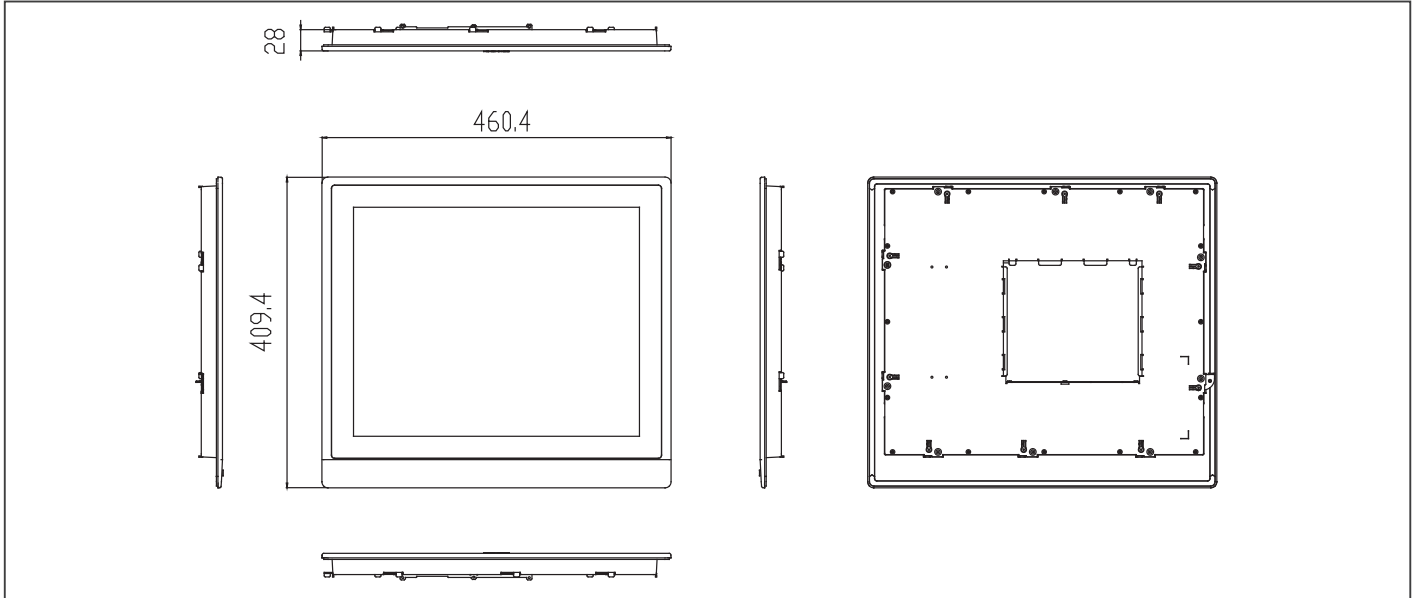
## Specifications

Mechanical	
Construction	Aluminum Front Bezel
Mounting	Panel Mount
Dimension	18.13" x 16.12" x 1.1" (460.4mm x 409.4mm x 28mm)
Carton Dimension	26.02" x 8.11" x 19.53" (661mm x 206mm x 496mm)
Gross Weight	11 lb (5 kg)
Environmental	
Operating Temperature	-4°F ~ 131°F (-20°C ~ 55°C) with 0.7 m/s airflow
Storage Temperature	-4°F~140°F (-20°C~60°C)
Storage Humidity	90% @40°C; non-condensing
Vibration	1 Grms/ 5~ 500Hz/ operation – with HDD
Shock	15G peak acceleration (11 msec. duration) – with HDD
EMC	CE/FCC Class A
Power Supply	
DC input	—
LCD	
Display Type	19" TFT-LCD, LED
Max Resolution	1280 x 1024
Max. Colors	16.7M colors
Luminance	350 cd/m <sup>2</sup>
Viewing Angle	170° (H), 160° (V)
Back Light	LED
Back Light MTBF (hours)	50,000
Touch Screen	
Type	P-CAP/ Full-flap resistive
Light Transmission	90%
Others	1. Connect with OMNI CPU Box Kit 2. Connect with LVDS/USB Type Touch



## Dimension

Unit: mm

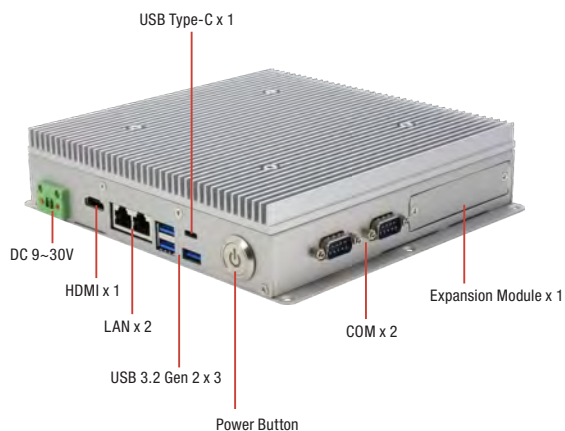


## Ordering Information

Part Number	Display Type	Max Resolution	Luminance	View Angle	Backlight MTBF (Hours)	Temp.	Touch	Other
OMNI-319DHTT-KIT-A1-1012	19" TFT-LCD	1280 x 1024	350 cd/m <sup>2</sup>	170°(H), 160°(V)	50,000	-20°C ~ 50°C	Resistive Touch Screen	Support OMNI BT/SKU BOX kit
OMNI-319DHTT-KIT-A2-1011	19" TFT-LCD	1280 x 1024	350 cd/m <sup>2</sup>	170°(H), 160°(V)	50,000	-20°C ~ 50°C	Projected Capacitive Touch	Support OMNI BT/SKU BOX kit
OMNI-319DHTTE-KIT-A1-1010	19" TFT-LCD	1280 x 1024	350 cd/m <sup>2</sup>	170°(H), 160°(V)	50,000	-20°C ~ 50°C	Resistive Touch Screen	Support OMNI ADP BOX kit
OMNI-319DHTTE-KIT-A2-1010	19" TFT-LCD	1280 x 1024	350 cd/m <sup>2</sup>	170°(H), 160°(V)	50,000	-20°C ~ 50°C	Projected Capacitive Touch	Support OMNI ADP BOX kit

# OMNI-ADP CPU-BOX Kit

OMNI Series Panel PC with 12th Generation Intel® Core™/Celeron® Processors



### Expansion Module



**9641MNAD0E**  
USB 2.0 x 2



**9651MNAD01**  
RS-232/422/485 x 2



## Features

- Intel® Core™ i7-1265UE/i5-1245UE/i3-1215UE/Intel® Celeron® Processor 7305E CPU (Max. 15W TDP)
- OMNI-Panel Kit Support from 10.4" to 27"
- OMNI Series P-CAP or Resistive Touch Screen Support
- M.2 2280 M-Key (PCIe [x4])
- Aluminum Design
- Fanless Operation
- VESA Mount
- 9V ~ 30V DC in



## Specifications

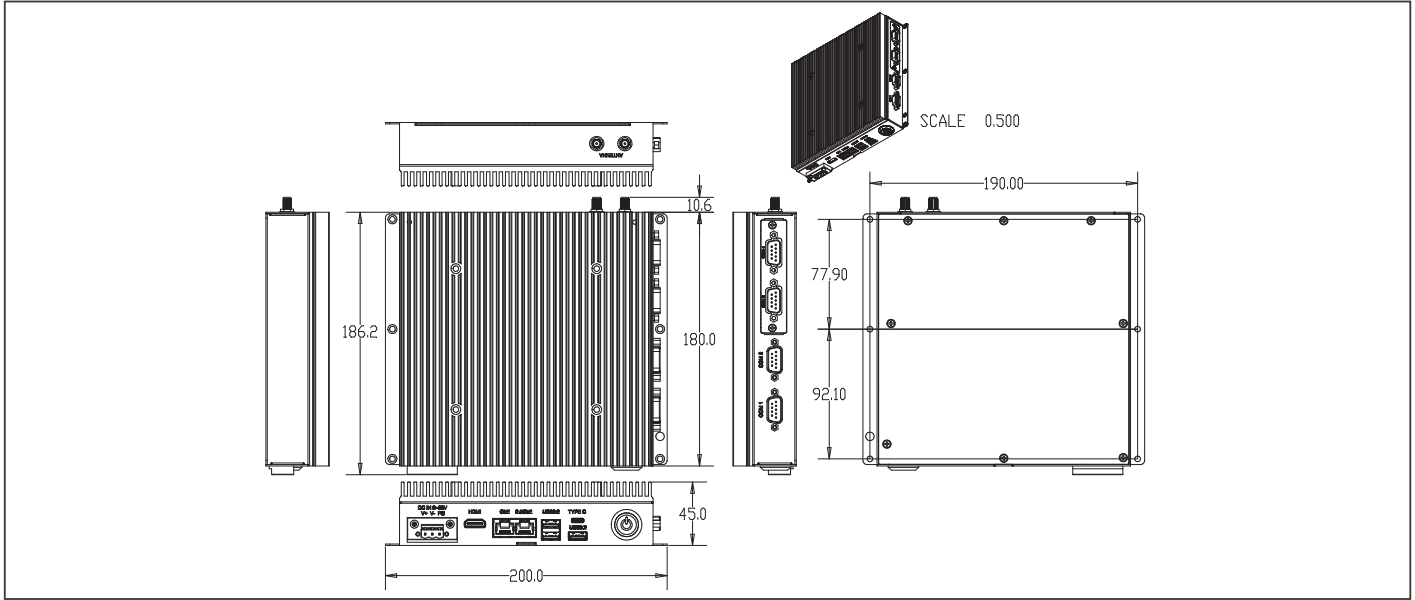
System	
Processor	Intel® Core™ i7-1265UE Intel® Core™ i5-1245UE Intel® Core™ i3-1215UE Intel® Celeron® Processor 7305E
System Memory	DDR5 4800MHz, Dual Channel SODIMM x 2, up to 64GB
LCD CRT Controller	—
Ethernet	Intel® Ethernet Connection I219 Series, 10/100/1000Base Intel® Ethernet Controller I226 Series, 10/100/1000/2500Base
IO Port	RJ-45 LAN x 2 USB 3.2 Gen 2 (Type-A) x 3 USB 3.2 Gen 2 (Type-C) x 1 HDMI 2.0b x 1 DB-9 x 2 (RS-232/422/485)
Storage Disk Drive	2.5" SATA 6Gb/s x 1 M.2 2280 M-Key (PCIe [x4]) (NVMe)
Expansion Slot	M.2 3052 B-Key x 1 (BOM Optional: PCIe [x2], Default: USB 3.2 Gen 2 + SATA) M.2 2230 E-Key x 1 (PCIe, USB 2.0)
OS Support	Windows 10/Windows 11
Construction	Aluminum design
Mounting	VESA
Dimension	7.8" x 1.7" x 7" (200mm x 45mm x 180mm)
Gross Weight	2.5 lb. (1.15Kg)
Operating Temperature	-4°F ~ 122°F (-20°C ~ 50°C) with 0.7 m/s airflow
Storage Temperature	-4°F ~ 140°F (-20°C ~ 60°C)
Storage Humidity	90% @40°C; non-condensing
Anti Vibration	1Grms / 5 - 500Hz / operation
Anti-Shock	15 G peak acceleration (11 msec. duration)
Certification	CE/FCC Class A
DC Input	DC 9~30V, Suggest Minimum 120W Power Adapter
Display Type	OMNI Series Panel Kit from 10.4" to 27"
Others	All size: PCAP multitouch (Support Gloves) 10" ~ 21.5": Flat 5-Wire Resistive





## Dimension

Unit: mm



## Packing List

- OMNI-ADP-KIT
- Phoenix Power Connector
- Screws

## Optional Accessories

- **AP-0T9789LA1000**  
LCD Monitor Stand 230mm, LA-100
- **1255X00059**  
120W Power Adapter
- **170X000799**  
Power Cord (US Type)
- **170X001024**  
Power Cord (European Type)
- **170X000803**  
Power Cord (Japanese Type)
- **9641MNAD0E**  
USB 2.0 x2 (Expansion I/O Module)
- **9651MNAD01**  
RS-232/422/485 x 2 (Expansion I/O Module)
- **9641MNAD0D**  
USB 2.0 x 2 (Internal Port)

## Ordering Information

Part Number	CPU	LAN	USB 3.2 Gen2	USB 2.0	RS-232	RS-232/422/485	Storage	Memory	Display	Expansion	Power	Operation Temp.
OMNI-ADP-KIT-A1-1010	Intel® Celeron® Processor 7305E	2	Type A x 3 Type C x 1	—	—	2	2.5 SATA x 1 M.2 2280 M-Key x 1 (NVMe)	DDR5 4800MHz SODIMM x 2	HDMI x 1	M.2 3052 B-Key x 1 M.2 2230 E-Key x 1	DC 9~30V	-20°C ~ 50°C with Airflow
OMNI-ADP-KIT-A2-1010	Intel® Core™ i3-1215UE	2	Type A x 3 Type C x 1	—	—	2	2.5 SATA x 1 M.2 2280 M-Key x 1 (NVMe)	DDR5 4800MHz SODIMM x 2	HDMI x 1	M.2 3052 B-Key x 1 M.2 2230 E-Key x 1	DC 9~30V	-20°C ~ 50°C with Airflow
OMNI-ADP-KIT-A3-1010	Intel® Core™ i5-1245UE	2	Type A x 3 Type C x 1	—	—	2	2.5 SATA x 1 M.2 2280 M-Key x 1 (NVMe)	DDR5 4800MHz SODIMM x 2	HDMI x 1	M.2 3052 B-Key x 1 M.2 2230 E-Key x 1	DC 9~30V	-20°C ~ 50°C with Airflow
OMNI-ADP-KIT-A4-1010	Intel® Core™ i7-1265UE	2	Type A x 3 Type C x 1	—	—	2	2.5 SATA x 1 M.2 2280 M-Key x 1 (NVMe)	DDR5 4800MHz SODIMM x 2	HDMI x 1	M.2 3052 B-Key x 1 M.2 2230 E-Key x 1	DC 9~30V	-20°C ~ 50°C with Airflow



# OMNI-ADN CPU-BOX Kit

OMNI Series Panel PC with Intel® Processor N50 / N97



## Features

- Intel® Processor N50 / N97
- OMNI-Panel Kit Support from 10.4" to 21.5"
- OMNI Series P-CAP or Resistive Touch Screen Support
- Aluminum Design
- IP65 Compliant Front Bezel
- Fanless Operation
- VESA Mount/Built-in Panel Mount Bracket
- 9-30V DC in a wide range of input



## Specifications

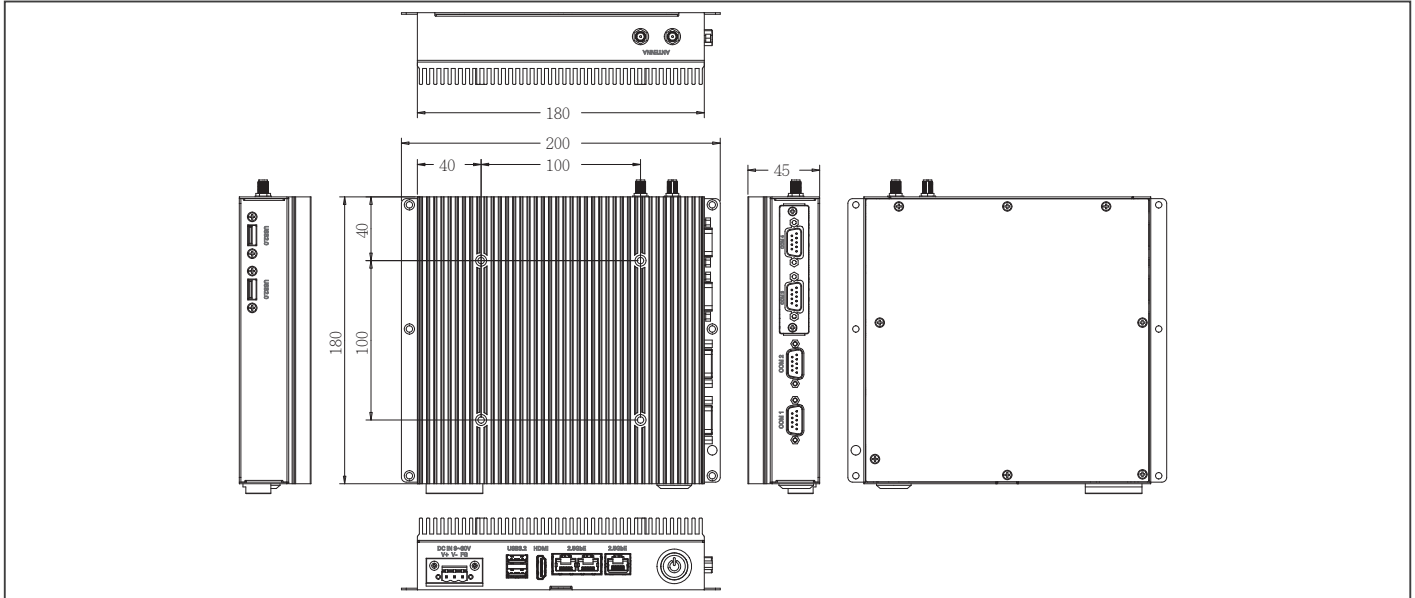
System	
Processor	Intel® Processor N50 Intel® Processor N97
System Memory	DDR5 4800 MHz, up to 16GB SODIMM x 1
LCD CRT Controller	CPU Integrated
Ethernet	Intel® Ethernet Controller I226, GbE x 3
IO Port	USB 3.2 x 2 USB 2.0 x 2 via Cables DB-9 RS-232/422/485 x 2 (set By BIOS) HDMI 1.4b x 1 RJ-45 x 3 DC 9V ~ 30V 3-pin Terminal Block Connector Power On/Off Switch x 1 with LED Light
Storage Disk Drive	2.5" SATA Drive Bay x 1 (SATA 6Gb/s) Full-size mPCIe (PCIe [x1]/SATA)
Expansion Slot	M.2 3052 B-Key x 1 with Nano SIM M.2 2230 E-Key x 1
OS Support	Windows® 10 IoT Enterprise LTSC 2021 Windows® 10/11
Construction	Aluminum Front Bezel + Metal Chassis
Mounting	Panel Mount/VESA Mount (VESA 100)
Dimension	7.8" x 1.7" x 7" (200mm x 45mm x 180mm)
Gross Weight	2.5 lb. (1.15Kg)
Operating Temperature	-4°F~-122°F (-20°C~50°C) with airflow
Storage Temperature	-4°F~-140°F (-20°C~60°C)
Storage Humidity	90% @40°C; non-condensing
Anti Vibration	1Grm s/5~500Hz/ operation - with mSATA
Anti-Shock	15 G peak acceleration (11 m sec. duration) with mSATA
Certification	CE/FCC Class A Compatible
DC Input	DC 9~30V
Display Type	OMNI Series Panel Kit from 10.4" to 21.5"
Others	12.1" and 15": Flat 5-Wire Resistive Touch All Size: PCAP Multitouch





## Dimension

Unit: mm



## Packing List

- Phoenix Power Connector
- OMNI-ADN-KIT
- Screws

## Optional Accessories

- **AP-OT9789LA1000**  
LA-100 LCD Monitor Stand
- **170X000799**  
Power Cord (US Type)
- **170X001024**  
Power Cord (European Type)
- **170X000803**  
Power Cord (Japanese Type)
- **1255900849**  
12V 84W Power Adapter

## Ordering Information

Part Number	CPU	LAN	USB	RS-232/422/485	Storage	RAM	Display	Internal Expansion	Mounting	Power	Operating Temp.
OMNI-ADN-KIT-A1-1010	Intel® Processor N50	3	USB 3.2 x 2 USB 2.0 x 2	2	2.5" SATA Drive Bay x 1 Full-size mPCIe (Supports PCIe [x1]/SATA)	DDR5, up to 16GB	HDMI x1	M.2 3052 B-Key x 1 with Nano SIM M.2 2230 E-Key x 1	VESA / Panel Mount	DC 9-30V	-20°C-50°C with air flow
OMNI-ADN-KIT-A2-1010	Intel® Processor N97	3	USB 3.2 x 2 USB 2.0 x 2	2	2.5" SATA Drive Bay x 1 Full-size mPCIe (Supports PCIe [x1]/SATA)	DDR5, up to 16GB	HDMI x1	M.2 3052 B-Key x 1 with Nano SIM M.2 2230 E-Key x 1	VESA / Panel Mount	DC 9-30V	-20°C-50°C with air flow

# 06

# 06

## OMNI Series: Modular Touch Panel Solutions



ES France - Mobilité & Systèmes Embarqués  
127 rue de Buzenval BP 26 - 92380 Garches



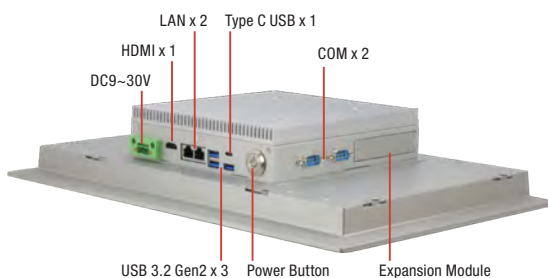
Tél. 01 47 95 99 80



e-mail : [mse@es-france.com](mailto:mse@es-france.com)  
Site Web : [www.es-france.com](http://www.es-france.com)

# OMNI-2155-ADP

15.6" Modular HMI Panel PC with 12th Generation Intel® Core™/Celeron® Processors



## Optional Accessories

**9641MNAD0E**  
USB 2.0 x 2



**9651MNAD01**  
RS-232/422/485 x 2



## Features

- 15.6" (1920 x 1080) / (1366 x 768) TFT LCD Display
- 12th Generation Intel® Core™ i7/i5/i3/Celeron® Processors
- P-CAP or Resistive Touch Screen Support
- M.2 2280 M-Key (PCIe [x4])
- Aluminum Design
- IP65 Compliant Front Bezel
- Fanless Operation
- VESA Mount/Built-in Panel Mount Bracket
- Wide 9 ~ 30V DC Input Range



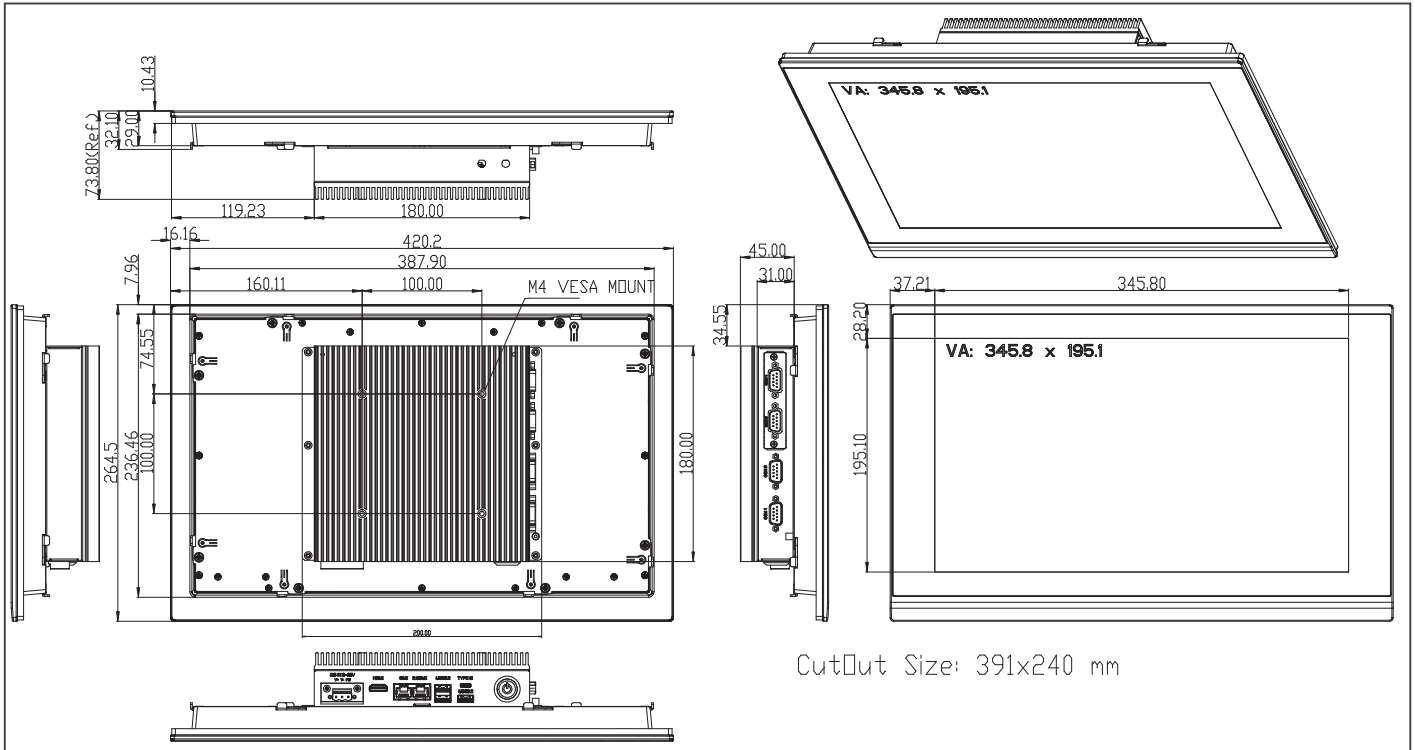
## Specifications

System	
Processor	12th Generation Intel® Core™/Celeron® Processors: Intel® Core™ i7-1265UE Intel® Core™ i5-1245UE Intel® Core™ i3-1215UE Intel® Celeron® Processor 7305E
System Memory	DDR5 4800 MHz, Dual Channel SODIMM x 2, up to 64GB
LCD/CRT Controller	—
Ethernet	Intel® i219, 10/100/1000Base Intel® i226, 10/100/1000/2500Base
I/O Port	RJ-45 LAN x 2 USB 3.2 Gen 2 (Type-A) x 3 USB 3.2 Gen 2 (Type-C) x 1 HDMI 2.0b x 1 DB-9 x 2 (RS-232/422/485)
Storage Disk Drive	2.5" HDD Bay for SATA 6Gb/s x 1 M.2 2280 M-Key x 1 (PCIe [x4] for NVMe Storage)
Expansion Slot	M.2 3052 B-Key x 1 (Default: USB 3.2 Gen 2 + SATA, PCIe [x2] optional by BOM) M.2 2230 E-Key x 1 (PCIe, USB 2.0)
OS support	Windows® 10 IoT Enterprise LTSC 2021 Windows® 10/11
Mechanical	
Construction	Aluminum Front Bezel + Metal Chassis
Mounting	VESA / Panel Mount
Dimension	16.5" x 10.41" x 2.9" (420.2mm x 264.5mm x 73.8mm)
Carton Dimension	20.86" x 17.51" x 7.87" (530 mm x 445 mm x 200mm)
Gross Weight	11.46 lb (5.2kg)
Environmental	
Operating Temperature	-4°F ~ 122°F (-20°C ~ 50°C) with 0.5 m/s Airflow
Storage Temperature	-4°F ~ 140°F (-20°C ~ 60°C)
Storage Humidity	90% @40°C; non-condensing
Vibration	1Grms / 5~ 500Hz / operation
Shock	15 G peak acceleration (11 msec. duration)
EMC	CE/FCC Class A
Power Supply	
DC input	DC 9~30V
LCD	
Display Type	15.6" TFT-LCD, LED
Max Resolution	Regular 1366 (H) x 768 (V) Full HD 1920 (H) x 1080 (V)
Max. Colors	Regular :16.7M (8 bit/color) Full HD: 16.2M
Luminance	Regular : 400 cd/m <sup>2</sup> Full HD : 450 cd/m <sup>2</sup>
Viewing Angle	Regular : 170° (H) ; 130° (V) Full HD: 178° (H) ; 178° (V)
Back Light	LED
Back Light MTBF (Hours)	50,000
Touchscreen	





## Dimension Unit: mm



## Ordering Information

Part Number	Display Type	Max Resolution	Luminance	View Angle	CPU	LAN	USB	RS-232/422/485	Storage	RAM	Display	Internal Expansion	Mounting	Power	Operating Temp.	Touch
OMNI-2155HTT-ADP-A5-1010	15.6" TFT LCD	1366 x 768	400 cd/m <sup>2</sup>	170°(H) 130°(V)	Intel® Celeron® Processor 7305E	2	USB 3.2 Gen 2 (Type-A) x 3 USB 3.2 Gen 2 (Type-C) x 1	2	2.5" SATA-III x 1 M.2 2280 M-Key x 1 (PCIe [x4] for NVMe Storage)	DDR5, up to 64GB	HDMI x1	M.2 3052 B-Key x 1 (Default: USB 3.2 Gen 2 + SATA, PCIe [x2] optional by BOM) M.2 2230 E-Key x 1 (PCIe, USB 2.0)	VESA / Panel Mount	DC 9~30V	-20°C ~ 50°C with airflow	Projected capacitive
OMNI-2155HTT-ADP-A6-1010	15.6" TFT LCD	1366 x 768	400 cd/m <sup>2</sup>	170°(H) 130°(V)	Intel® Core™ i3-1215UE	2	USB 3.2 Gen 2 (Type-A) x 3 USB 3.2 Gen 2 (Type-C) x 1	2	2.5" SATA-III x 1 M.2 2280 M-Key x 1 (PCIe [x4] for NVMe Storage)	DDR5, up to 64GB	HDMI x1	M.2 3052 B-Key x 1 (Default: USB 3.2 Gen 2 + SATA, PCIe [x2] optional by BOM) M.2 2230 E-Key x 1 (PCIe, USB 2.0)	VESA / Panel Mount	DC 9~30V	-20°C ~ 50°C with airflow	Projected capacitive
OMNI-2155HTT-ADP-A7-1010	15.6" TFT LCD	1366 x 768	400 cd/m <sup>2</sup>	170°(H) 130°(V)	Intel® Core™ i5-1245UE	2	USB 3.2 Gen 2 (Type-A) x 3 USB 3.2 Gen 2 (Type-C) x 1	2	2.5" SATA-III x 1 M.2 2280 M-Key x 1 (PCIe [x4] for NVMe Storage)	DDR5, up to 64GB	HDMI x1	M.2 3052 B-Key x 1 (Default: USB 3.2 Gen 2 + SATA, PCIe [x2] optional by BOM) M.2 2230 E-Key x 1 (PCIe, USB 2.0)	VESA / Panel Mount	DC 9~30V	-20°C ~ 50°C with airflow	Projected capacitive
OMNI-2155HTT-ADP-A8-1010	15.6" TFT LCD	1366 x 768	400 cd/m <sup>2</sup>	170°(H) 130°(V)	Intel® Core™ i7-1265UE	2	USB 3.2 Gen 2 (Type-A) x 3 USB 3.2 Gen 2 (Type-C) x 1	2	2.5" SATA-III x 1 M.2 2280 M-Key x 1 (PCIe [x4] for NVMe Storage)	DDR5, up to 64GB	HDMI x1	M.2 3052 B-Key x 1 (Default: USB 3.2 Gen 2 + SATA, PCIe [x2] optional by BOM) M.2 2230 E-Key x 1 (PCIe, USB 2.0)	VESA / Panel Mount	DC 9~30V	-20°C ~ 50°C with airflow	Projected capacitive
OMNI-2155HDT-ADP-A5-1010	15.6" TFT LCD	1920 x 1080	450 cd/m <sup>2</sup>	178°(H) 178°(V)	Intel® Celeron® Processor 7305E	2	USB 3.2 Gen 2 (Type-A) x 3 USB 3.2 Gen 2 (Type-C) x 1	2	2.5" SATA-III x 1 M.2 2280 M-Key x 1 (PCIe [x4] for NVMe Storage)	DDR5, up to 64GB	HDMI x1	M.2 3052 B-Key x 1 (Default: USB 3.2 Gen 2 + SATA, PCIe [x2] optional by BOM) M.2 2230 E-Key x 1 (PCIe, USB 2.0)	VESA / Panel Mount	DC 9~30V	-20°C ~ 50°C with airflow	Projected capacitive
OMNI-2155HDT-ADP-A6-1010	15.6" TFT LCD	1920 x 1080	450 cd/m <sup>2</sup>	178°(H) 178°(V)	Intel® Core™ i3-1215UE	2	USB 3.2 Gen 2 (Type-A) x 3 USB 3.2 Gen 2 (Type-C) x 1	2	2.5" SATA-III x 1 M.2 2280 M-Key x 1 (PCIe [x4] for NVMe Storage)	DDR5, up to 64GB	HDMI x1	M.2 3052 B-Key x 1 (Default: USB 3.2 Gen 2 + SATA, PCIe [x2] optional by BOM) M.2 2230 E-Key x 1 (PCIe, USB 2.0)	VESA / Panel Mount	DC 9~30V	-20°C ~ 50°C with airflow	Projected capacitive
OMNI-2155HDT-ADP-A7-1010	15.6" TFT LCD	1920 x 1080	450 cd/m <sup>2</sup>	178°(H) 178°(V)	Intel® Core™ i5-1245UE	2	USB 3.2 Gen 2 (Type-A) x 3 USB 3.2 Gen 2 (Type-C) x 1	2	2.5" SATA-III x 1 M.2 2280 M-Key x 1 (PCIe [x4] for NVMe Storage)	DDR5, up to 64GB	HDMI x1	M.2 3052 B-Key x 1 (Default: USB 3.2 Gen 2 + SATA, PCIe [x2] optional by BOM) M.2 2230 E-Key x 1 (PCIe, USB 2.0)	VESA / Panel Mount	DC 9~30V	-20°C ~ 50°C with airflow	Projected capacitive
OMNI-2155HDT-ADP-A8-1010	15.6" TFT LCD	1920 x 1080	450 cd/m <sup>2</sup>	178°(H) 178°(V)	Intel® Core™ i7-1265UE	2	USB 3.2 Gen 2 (Type-A) x 3 USB 3.2 Gen 2 (Type-C) x 1	2	2.5" SATA-III x 1 M.2 2280 M-Key x 1 (PCIe [x4] for NVMe Storage)	DDR5, up to 64GB	HDMI x1	M.2 3052 B-Key x 1 (Default: USB 3.2 Gen 2 + SATA, PCIe [x2] optional by BOM) M.2 2230 E-Key x 1 (PCIe, USB 2.0)	VESA / Panel Mount	DC 9~30V	-20°C ~ 50°C with airflow	Projected capacitive

## Packing List

- Phoenix Power Connector
- OMNI-2155-ADP
- Screws

## Optional Accessories

- AP-0T9789LA1000  
LA-100 LCD Monitor Stand
- 170X000799  
Power Cord (US Type)
- 170X001024
- 170X000803  
Power Cord (Japanese Type)
- 1255X00059  
19V 120W Power Adapter
- 9641MNAD0E
- 9651MNAD01  
RS-232/422/485 x 2 (Expansion I/O Module)
- 9641MNAD0D  
USB 2.0 x 2 (Internal Port)

# OMNI-2215-ADP

21.5" Modular HMI Panel PC with 12th Generation Intel® Core™/Celeron® Processors

Front View

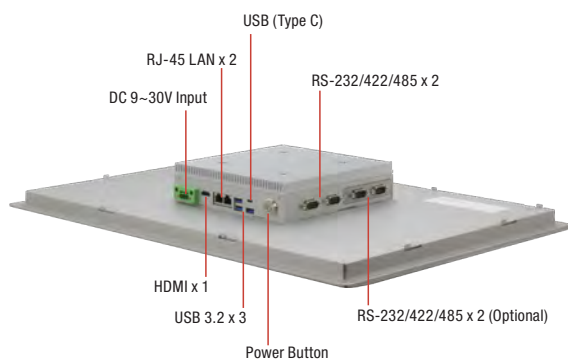


Top View



Antenna Hole x 2

Bottom View



## Features

- 21.5" (1920 x 1080) TFT LCD Display
- 12th Generation Intel® Core™/Celeron® Processors
- P-CAP or Resistive Touch Screen Support
- M.2 2280 M-Key x 1 (PCIe [x4] NVMe Storage)
- Aluminum Design
- IP65 Compliant Front Bezel
- Fanless Operation
- VESA Mount/ Built-in Panel Mount Bracket
- 9-30V DC in a wide range of input



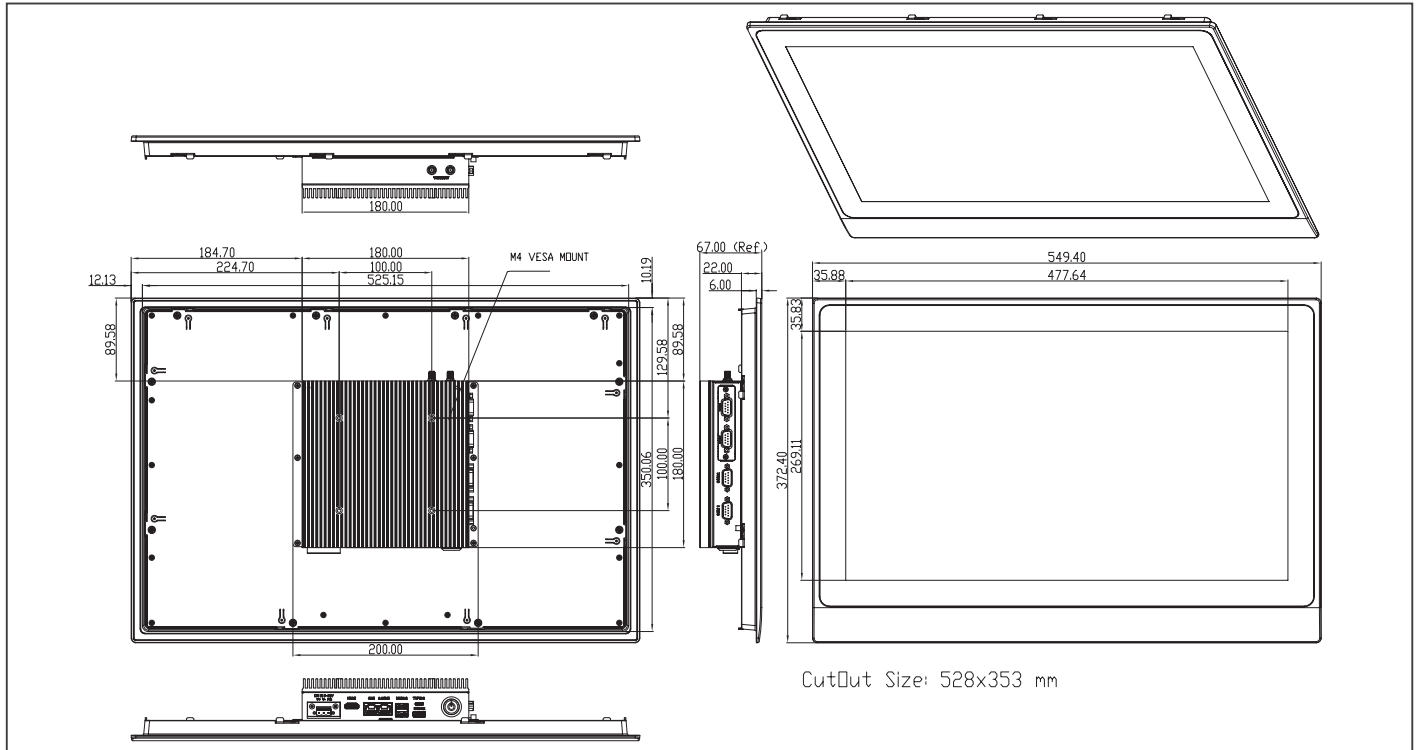
## Specifications

System	
Processor	12th Generation Intel® Core™/Celeron® Processors
System Memory	DDR5 4800MHz, Dual Channel SODIMM x 2, up to 64GB
LCD/CRT Controller	—
Ethernet	Intel® Ethernet Connection I219, 10/100/1000Base Intel® Ethernet Controller I226, 10/100/1000/2500Base
I/O Port	RJ-45 LAN x 2 USB 3.2 Gen 2 (Type-A) x 3 USB 3.2 Gen 2 (Type-C) x 1 HDMI 2.0b x 1 DB-9 x 2 (RS-232/422/485)
Storage Disk Drive	2.5" HDD Bay for SATA 6Gb/s x 1 M.2 2280 M-Key x 1 (PCIe [x4] NVMe Storage)
Expansion Slot	M.2 3052 B-Key x 1 (Default: USB 3.2 Gen 2 + SATA, PCIe [x2] optional by BOM) M.2 2230 E-Key x 1 (PCIe, USB 2.0)
OS support	Windows® 10 IoT Enterprise LTSC 2021 Windows® 10/11
Mechanical	
Construction	Aluminum Front Bezel + Metal Chassis
Mounting	VESA / Panel Mount
Dimension	21.63" x 14.66" x 2.64" (549.4mm x 372.4mm x 67mm)
Carton Dimension	26.38" x 20.67" x 7.87" (670mm x 525mm x 200mm)
Gross Weight	14.9 lb. (6.8Kg)
Environmental	
Operating Temperature	-4°F~122°F (-20°C~50°C) with airflow
Storage Temperature	-4°F~140°F (-20°C~60°C)
Storage Humidity	90% @40°C; non-condensing
Vibration	1Grms / 5~ 500Hz / operation
Shock	15 G peak acceleration (11 msec. duration)
EMC	CE/FCC Class A Compatible
Power Supply	
DC input	DC 9~30V
LCD	
Display Type	21.5" TFT-LCD, LED
Max Resolution	1920 x 1080
Max. Colors	16.7M colors
Luminance	250 cd/m <sup>2</sup>
Viewing Angle	178° (H) ; 178° (V)
Back Light	LED
Back Light MTBF (Hours)	50,000 Hrs
Touchscreen	
Type	P-CAP/ 5-wire resistive
Light Transmission	P-CAP (≥85%), 5-wire Resistive (80% ± 3%)





## Dimension Unit: mm



## Ordering Information

Part Number	Display Type	Max Resolution	Luminance	View Angle	CPU	LAN	USB	RS-232/422/485	Storage	RAM	Display	Internal Expansion	Mounting	Power	Operating Temp.	Touch
OMNI-2215HTT-ADP-A1-1010	21.5" TFT LCD	1920 x 1080	250 cd/m <sup>2</sup>	178°(H)/178°(V)	Intel® Celeron® Processor 7305E	2	USB 3.2 Gen2 (Type A) x 3 USB 3.2 Gen 2 (Type-C) x 1	2	2.5" SATA-III x1 M.2 2280 M-Key x1 (PCIe[x4] for NVMe Storage)	DDR5, up to 64GB	HDMI x1	M.2 3052 B Key x1 (Default: USB 3.2Gen 2 + SATA, PCIe[x2] optional by BOM) M.2 2230 E-Key x1 (PCIe, USB 2.0)	VESA / Panel Mount	DC 9~30V	-20°~50°C with air flow	Resistive Touch
OMNI-2215HTT-ADP-A2-1010	21.5" TFT LCD	1920 x 1080	250 cd/m <sup>2</sup>	178°(H)/178°(V)	Intel® Core™ i3-1215UE	2	USB 3.2 Gen2 (Type A) x 3 USB 3.2 Gen 2 (Type-C) x 1	2	2.5" SATA-III x1 M.2 2280 M-Key x1 (PCIe[x4] for NVMe Storage)	DDR5, up to 64GB	HDMI x1	M.2 3052 B Key x1 (Default: USB 3.2Gen 2 + SATA, PCIe[x2] optional by BOM) M.2 2230 E-Key x1 (PCIe, USB 2.0)	VESA / Panel Mount	DC 9~30V	-20°~50°C with air flow	Resistive Touch
OMNI-2215HTT-ADP-A3-1010	21.5" TFT LCD	1920 x 1080	250 cd/m <sup>2</sup>	178°(H)/178°(V)	Intel® Core™ i5-1245UE	2	USB 3.2 Gen2 (Type A) x 3 USB 3.2 Gen 2 (Type-C) x 1	2	2.5" SATA-III x1 M.2 2280 M-Key x1 (PCIe[x4] for NVMe Storage)	DDR5, up to 64GB	HDMI x1	M.2 3052 B Key x1 (Default: USB 3.2Gen 2 + SATA, PCIe[x2] optional by BOM) M.2 2230 E-Key x1 (PCIe, USB 2.0)	VESA / Panel Mount	DC 9~30V	-20°~50°C with air flow	Resistive Touch
OMNI-2215HTT-ADP-A5-1010	21.5" TFT LCD	1920 x 1080	250 cd/m <sup>2</sup>	178°(H)/178°(V)	Intel® Celeron® Processor 7305E	2	USB 3.2 Gen2 (Type A) x 3 USB 3.2 Gen 2 (Type-C) x 1	2	2.5" SATA-III x1 M.2 2280 M-Key x1 (PCIe[x4] for NVMe Storage)	DDR5, up to 64GB	HDMI x1	M.2 3052 B Key x1 (Default: USB 3.2Gen 2 + SATA, PCIe[x2] optional by BOM) M.2 2230 E-Key x1 (PCIe, USB 2.0)	VESA / Panel Mount	DC 9~30V	-20°~50°C with air flow	Projective Touch
OMNI-2215HTT-ADP-A6-1010	21.5" TFT LCD	1920 x 1080	250 cd/m <sup>2</sup>	178°(H)/178°(V)	Intel® Core™ i3-1215UE	2	USB 3.2 Gen2 (Type A) x 3 USB 3.2 Gen 2 (Type-C) x 1	2	2.5" SATA-III x1 M.2 2280 M-Key x1 (PCIe[x4] for NVMe Storage)	DDR5, up to 64GB	HDMI x1	M.2 3052 B Key x1 (Default: USB 3.2Gen 2 + SATA, PCIe[x2] optional by BOM) M.2 2230 E-Key x1 (PCIe, USB 2.0)	VESA / Panel Mount	DC 9~30V	-20°~50°C with air flow	Projective Touch
OMNI-2215HTT-ADP-A7-1010	21.5" TFT LCD	1920 x 1080	250 cd/m <sup>2</sup>	178°(H)/178°(V)	Intel® Core™ i5-1245UE	2	USB 3.2 Gen2 (Type A) x 3 USB 3.2 Gen 2 (Type-C) x 1	2	2.5" SATA-III x1 M.2 2280 M-Key x1 (PCIe[x4] for NVMe Storage)	DDR5, up to 64GB	HDMI x1	M.2 3052 B Key x1 (Default: USB 3.2Gen 2 + SATA, PCIe[x2] optional by BOM) M.2 2230 E-Key x1 (PCIe, USB 2.0)	VESA / Panel Mount	DC 9~30V	-20°~50°C with air flow	Projective Touch

## Packing List

- Phoenix Power Connector
- OMNI-2215-ADP
- Screws

## Optional Accessories

- AP-OT9789LA1000  
LA-100 LCD Monitor Stand
- 170X000799  
Power Cord (US Type)
- 170X001024  
Power Cord (European Type)
- 170X000803  
Power Cord (Japanese Type)
- 1255X00059  
19V 120W Power Adapter
- 9641MNAD0E  
USB 2.0 x 2 (Expansion I/O Module)
- 9651MNAD01  
RS-232/422/485 x 2 (Expansion I/O Module)
- 9641MNAD0D  
USB 2.0 x 2 (Internal Port)

# OMNI-2245-ADP

23.8" Modular HMI Panel PC with 12th Generation Intel® Core™/Celeron® Processors

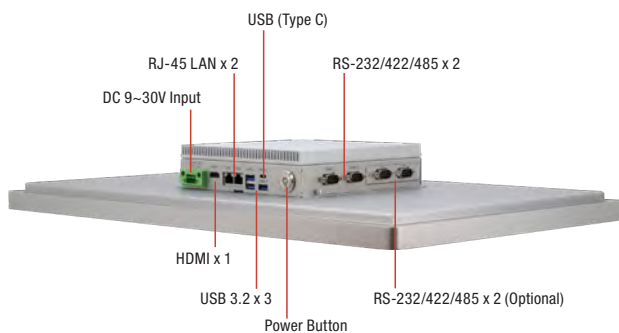
Front View



Top View



Bottom View



## Features

- 23.8" (1920 x 1080) TFT LCD Display
- 12th Generation Intel® Core™/Celeron® Processors
- Projective Touch
- M.2 2280 M-Key x 1 (PCIe [x4] NVMe Storage)
- Aluminum Design
- IP65 Compliant Front Bezel
- Fanless Operation
- VESA Mount/ Built-in Panel Mount Bracket
- 9 ~ 30V DC in a wide range of input



## Specifications

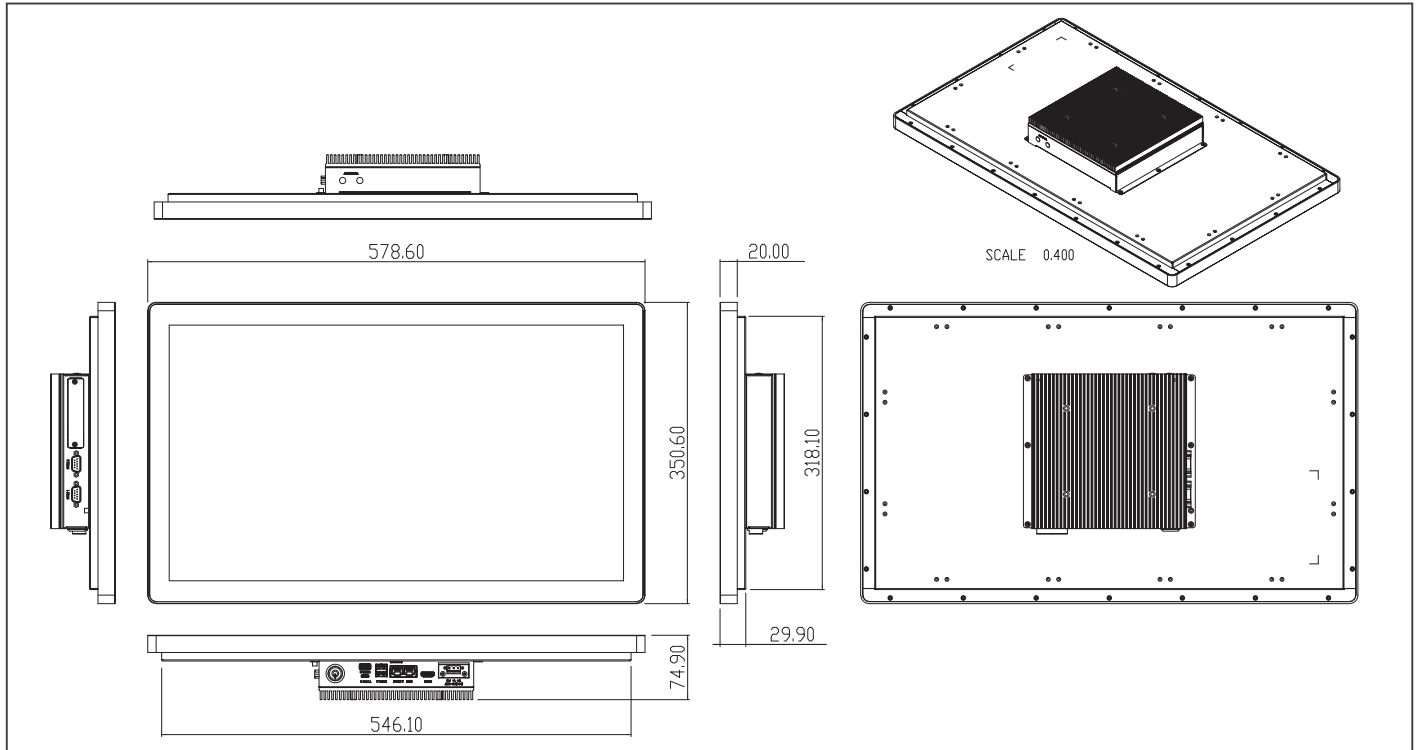
System	
Processor	12th Generation Intel® Core™/Celeron® Processors
System Memory	DDR5 4800MHz, Dual Channel SODIMM x 2, up to 64GB
LCD/CRT Controller	—
Ethernet	Intel® Ethernet Connection I219, 10/100/1000Base Intel® Ethernet Controller I226, 10/100/1000/2500Base
I/O Port	RJ-45 LAN x 2 USB 3.2 Gen 2 (Type-A) x 3 USB 3.2 Gen 2 (Type-C) x 1 HDMI 2.0b x 1 DB-9 x 2 (RS-232/422/485)
Storage Disk Drive	2.5" HDD Bay for SATA 6Gb/s x 1 M.2 2280 M-Key x 1 (PCIe [x4] NVMe Storage)
Expansion Slot	M.2 3052 B-Key x 1 (Default: USB 3.2 Gen 2 + SATA, PCIe [x2] optional by BOM) M.2 2230 E-Key x 1 (PCIe, USB 2.0)
OS support	Windows® 10 IoT Enterprise LTSC 2021 Windows® 10/11
Mechanical	
Construction	Aluminum Front Bezel + Metal Chassis
Mounting	VESA / Panel Mount
Dimension	22.78" x 13.80" x 2.95" (578.60mm x 350.60mm x 74.90mm)
Carton Dimension	28.15" x 20.08" x 8.58" (715mm x 510mm x 218mm)
Gross Weight	22.8 lb (10.36kg)
Environmental	
Operating Temperature	-4°F ~ 122°F (-20°C ~ 50°C) with airflow
Storage Temperature	-4°F ~ 140°F (-20°C ~ 60°C)
Storage Humidity	90% @40°C; non-condensing
Vibration	1Grms / 5~ 500Hz / operation
Shock	15 G peak acceleration (11 msec. duration)
EMC	CE/FCC Class A Compatible
Power Supply	
DC input	DC 9~30V
LCD	
Display Type	23.8" TFT-LCD, LED
Max Resolution	1920 x 1080
Max. Colors	16.7M colors
Luminance	450 cd/m²
Viewing Angle	178° (H) ; 178° (V)
Back Light	LED
Back Light MTBF (Hours)	50,000 Hrs
Touchscreen	
Type	Projective Touch (Max. 10 Point)
Light Transmission	>= 86%





## Dimension

Unit: mm



## Ordering Information

Part Number	Display Type	Max Resolution	Luminance	View Angle	CPU	LAN	USB	RS-232/422/485	Storage	RAM	Display	Internal Expansion	Mounting	Power	Operating Temp.	Touch
OMNI-2245HTT-ADP-A5-1010	23.8" TFT LCD	1920 x 1080	450 cd/m <sup>2</sup>	178° (H); 178° (V)	Intel® Celeron® Processor 7305E	2	USB 3.2 Gen 2 (Type A) x 3 USB 3.2 Gen 2 (Type C) x 1	2	2.5" SATA-III x1 M.2 2280 M-Key x1 (PCIe[x4] for NVMe Storage)*	DDR5, up to 64GB	HDMI x1	M.2 3052 B Key x1 (Default: USB 3.2Gen 2 + SATA, PCIe[x2] optional by BOM) M.2 2230 E-Key x1 (PCIe, USB 2.0)	VESA / Panel Mount	DC 9-30V	-20°C ~ 50°C with airflow	Projective Touch
OMNI-2245HTT-ADP-A6-1010	23.8" TFT LCD	1920 x 1080	450 cd/m <sup>2</sup>	178° (H); 178° (V)	Intel® Core™ i3-1215UE	2	USB 3.2 Gen 2 (Type A) x 3 USB 3.2 Gen 2 (Type C) x 1	2	2.5" SATA-III x1 M.2 2280 M-Key x1 (PCIe[x4] for NVMe Storage)	DDR5, up to 64GB	HDMI x1	M.2 3052 B Key x1 (Default: USB 3.2Gen 2 + SATA, PCIe[x2] optional by BOM) M.2 2230 E-Key x1 (PCIe, USB 2.0)	VESA / Panel Mount	DC 9-30V	-20°C ~ 50°C with airflow	Projective Touch
OMNI-2245HTT-ADP-A7-1010	23.8" TFT LCD	1920 x 1080	450 cd/m <sup>2</sup>	178° (H); 178° (V)	Intel® Core™ i5-1245UE	2	USB 3.2 Gen 2 (Type A) x 3 USB 3.2 Gen 2 (Type C) x 1	2	2.5" SATA-III x1 M.2 2280 M-Key x1 (PCIe[x4] for NVMe Storage)	DDR5, up to 64GB	HDMI x1	M.2 3052 B Key x1 (Default: USB 3.2Gen 2 + SATA, PCIe[x2] optional by BOM) M.2 2230 E-Key x1 (PCIe, USB 2.0)	VESA / Panel Mount	DC 9-30V	-20°C ~ 50°C with airflow	Projective Touch
OMNI-2245HTT-ADP-A8-1010	23.8" TFT LCD	1920 x 1080	450 cd/m <sup>2</sup>	178° (H); 178° (V)	Intel® Core™ i7-1265UE	2	USB 3.2 Gen 2 (Type A) x 3 USB 3.2 Gen 2 (Type C) x 1	2	2.5" SATA-III x1 M.2 2280 M-Key x1 (PCIe[x4] for NVMe Storage)	DDR5, up to 64GB	HDMI x1	M.2 3052 B Key x1 (Default: USB 3.2Gen 2 + SATA, PCIe[x2] optional by BOM) M.2 2230 E-Key x1 (PCIe, USB 2.0)	VESA / Panel Mount	DC 9-30V	-20°C ~ 50°C with airflow	Projective Touch

## Packing List

- Phoenix Power Connector
- OMNI-2245-ADP
- Screws

## Optional Accessories

- **AP-OT9789LA1000**  
LA-100 LCD Monitor Stand
- **170X000799**  
Power Cord (US Type)
- **170X001024**  
Power Cord (European Type)
- **170X000803**  
Power Cord (Japanese Type)
- **1255X00059**  
19V 120W Power Adapter
- **9651MNAD01**  
RS-232/422/485 x 2 (Expansion I/O Module)
- **9641MNAD0E**  
USB 2.0 x 2 (Expansion I/O Module)
- **9641MNAD0D**  
USB 2.0 x 2 (Internal Port)

# OMNI-2275-ADP

27" Modular HMI Panel PC with 12th Generation Intel® Core™/Celeron® Processors

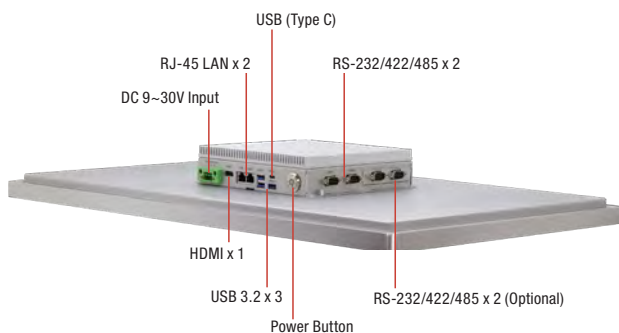
Front View



Top View



Bottom View



## Features

- 27" (1920 x 1080) TFT LCD Display
- 12th Generation Intel® Core™/Celeron® Processors
- Projective Touch
- M.2 2280 M-Key x 1 (PCIe [x4] NVMe Storage)
- Aluminum Design
- IP65 Compliant Front Bezel
- Fanless Operation
- VESA Mount/ Built-in Panel Mount Bracket
- 9 ~ 30V DC in a wide range of input



## Specifications

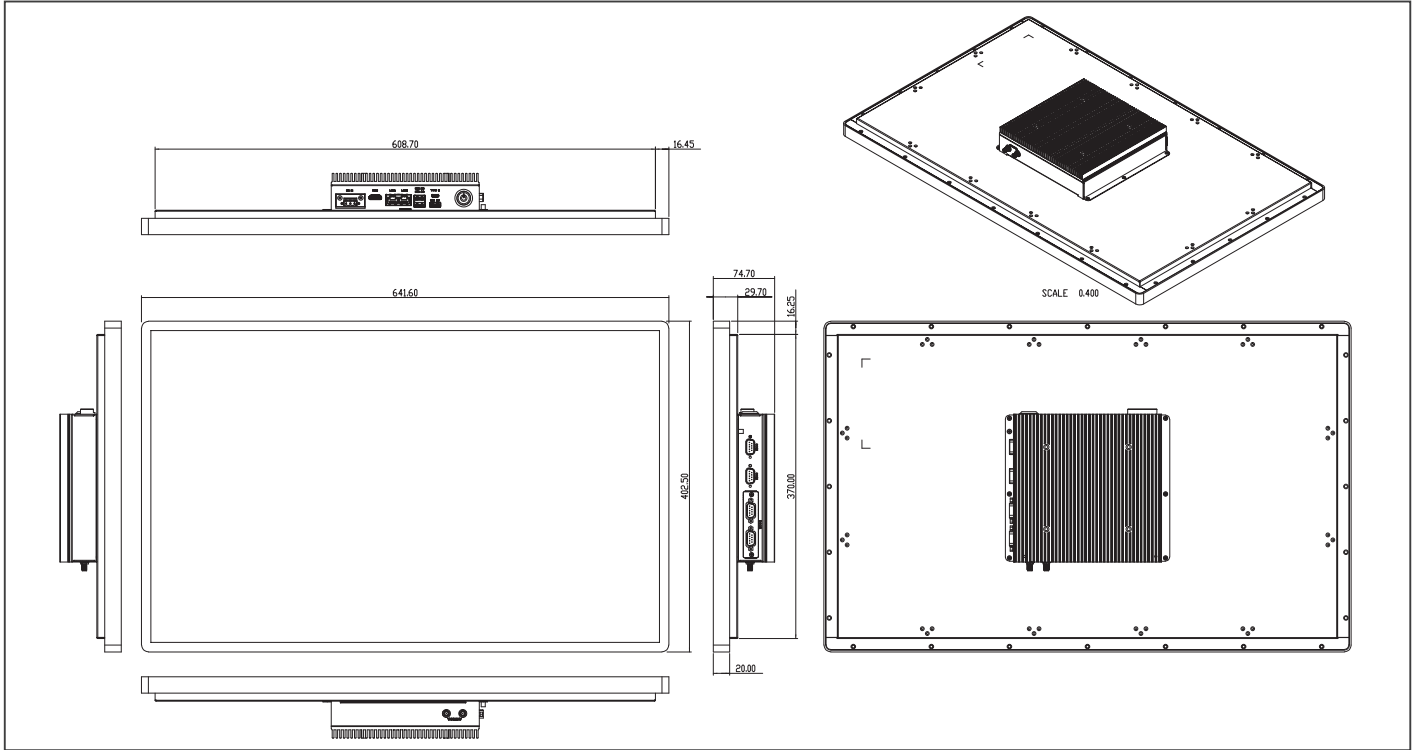
System	
Processor	12th Generation Intel® Core™/Celeron® Processors
System Memory	DDR5 4800MHz, Dual Channel SODIMM x 2, up to 64GB
LCD/CRT Controller	—
Ethernet	Intel® Ethernet Connection I219, 10/100/1000Base Intel® Ethernet Controller I226, 10/100/1000/2500Base
I/O Port	RJ-45 LAN x 2 USB 3.2 Gen 2 (Type-A) x 3 USB 3.2 Gen 2 (Type-C) x 1 HDMI 2.0b x 1 DB-9 x 2 (RS-232/422/485)
Storage Disk Drive	2.5" HDD Bay for SATA 6Gb/s x 1 M.2 2280 M-Key x 1 (PCIe [x4] NVMe Storage)
Expansion Slot	M.2 3052 B-Key x 1 (Default: USB 3.2 Gen 2 + SATA, PCIe [x2] optional by BOM) M.2 2230 E-Key x 1 (PCIe, USB 2.0)
OS support	Windows® 10 IoT Enterprise LTSC 2021 Windows® 10/11
Mechanical	
Construction	Aluminum Front Bezel + Metal Chassis
Mounting	VESA / Panel Mount
Dimension	25.26" x 15.85" x 2.94" (641.60mm x 402.50mm x 74.70mm)
Carton Dimension	30.70" x 22.24" x 8.58" (780mm x 565mm x 218mm)
Gross Weight	27.1 lb (12.30kg)
Environmental	
Operating Temperature	32°F ~ 113°F (0°C ~ 45°C) with airflow
Storage Temperature	-4°F ~ 140°F (-20°C ~ 60°C)
Storage Humidity	90% @40°C; non-condensing
Vibration	1Grms / 5~ 500Hz / operation
Shock	15 G peak acceleration (11 msec. duration)
EMC	CE/FCC Class A Compatible
Power Supply	
DC input	DC 9~30V
LCD	
Display Type	27" TFT-LCD, LED
Max Resolution	1920 x 1080
Max. Colors	16.7M colors
Luminance	300 cd/m <sup>2</sup>
Viewing Angle	178° (H) ; 178° (V)
Back Light	LED
Back Light MTBF (Hours)	30,000 Hrs
Touchscreen	
Type	Projective Touch (Max. 10 Point)
Light Transmission	>= 86%





## Dimension

Unit: mm



## Ordering Information

Part Number	Display Type	Max Resolution	Luminance	View Angle	CPU	LAN	USB	RS-232/422/485	Storage	RAM	Display	Internal Expansion	Mounting	Power	Operating Temp.	Touch
OMNI-2275HTT-ADP-A5-1010	27" TFT LCD	1920 x 1080	300 cd/m <sup>2</sup>	178° (H); 178° (V)	Intel® Celeron® Processor 7305E	2	USB 3.2 Gen2 (Type A) x 3 USB 3.2 Gen 2 (Type C) x 1	2	2.5" SATA-III x1 M.2 2280 M-Key x1 (PCIe[x4] for NVMe Storage)	DDR5, up to 64GB	HDMI x1	M.2 3052 B Key x1 (Default: USB 3.2Gen 2 + SATA, PCIe[x2] optional by BOM) M.2 2230 E-Key x1 (PCIe, USB 2.0)	VESA / Panel Mount	DC 9~30V	0°C ~ 45°C with airflow	Projective Touch
OMNI-2275HTT-ADP-A6-1010	27" TFT LCD	1920 x 1080	300 cd/m <sup>2</sup>	178° (H); 178° (V)	Intel® Core™ i3-1215UE	2	USB 3.2 Gen2 (Type A) x 3 USB 3.2 Gen 2 (Type C) x 1	2	2.5" SATA-III x1 M.2 2280 M-Key x1 (PCIe[x4] for NVMe Storage)	DDR5, up to 64GB	HDMI x1	M.2 3052 B Key x1 (Default: USB 3.2Gen 2 + SATA, PCIe[x2] optional by BOM) M.2 2230 E-Key x1 (PCIe, USB 2.0)	VESA / Panel Mount	DC 9~30V	0°C ~ 45°C with airflow	Projective Touch
OMNI-2275HTT-ADP-A7-1010	27" TFT LCD	1920 x 1080	300 cd/m <sup>2</sup>	178° (H); 178° (V)	Intel® Core™ i5-1245UE	2	USB 3.2 Gen2 (Type A) x 3 USB 3.2 Gen 2 (Type C) x 1	2	2.5" SATA-III x1 M.2 2280 M-Key x1 (PCIe[x4] for NVMe Storage)	DDR5, up to 64GB	HDMI x1	M.2 3052 B Key x1 (Default: USB 3.2Gen 2 + SATA, PCIe[x2] optional by BOM) M.2 2230 E-Key x1 (PCIe, USB 2.0)	VESA / Panel Mount	DC 9~30V	0°C ~ 45°C with airflow	Projective Touch
OMNI-2275HTT-ADP-A8-1010	27" TFT LCD	1920 x 1080	300 cd/m <sup>2</sup>	178° (H); 178° (V)	Intel® Core™ i7-1265UE	2	USB 3.2 Gen2 (Type A) x 3 USB 3.2 Gen 2 (Type C) x 1	2	2.5" SATA-III x1 M.2 2280 M-Key x1 (PCIe[x4] for NVMe Storage)	DDR5, up to 64GB	HDMI x1	M.2 3052 B Key x1 (Default: USB 3.2Gen 2 + SATA, PCIe[x2] optional by BOM) M.2 2230 E-Key x1 (PCIe, USB 2.0)	VESA / Panel Mount	DC 9~30V	0°C ~ 45°C with airflow	Projective Touch

## Packing List

- Phoenix Power Connector
- OMNI-2275-ADP
- Screws

## Optional Accessories

- **AP-OT9789LA1000**  
LA-100 LCD Monitor Stand
- **170X000799**  
Power Cord (US Type)
- **170X001024**  
Power Cord (European Type)
- **170X000803**  
Power Cord (Japanese Type)
- **1255X00059**  
19V 120W Power Adapter
- **9651MNAD01**  
RS-232/422/485 x 2 (Expansion I/O Module)
- **9641MNAD0E**  
USB 2.0 x 2 (Expansion I/O Module)
- **9641MNAD0D**  
USB 2.0 x 2 (Internal Port)



# OMNI-3105-ADP

10.4" Modular HMI Panel PC with 12th Generation Intel® Core™/Celeron® Processors

Front View

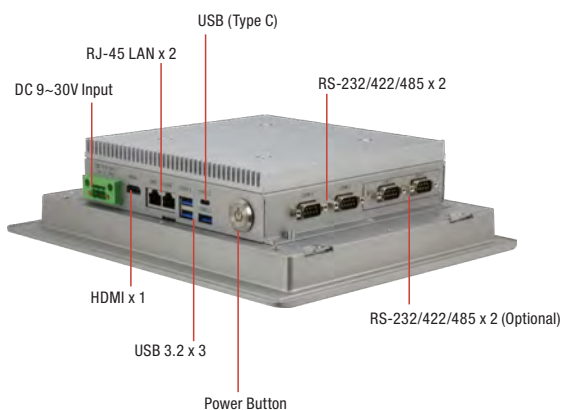


Top View



Antenna Hole x 2

Bottom View



## Features

- 10.4" (1024 x 768) TFT LCD Display
- 12th Generation Intel® Core™/Celeron® Processors (Max. 15W TDP)
- P-CAP or Resistive Touch Screen Support
- M.2 2280 M-Key x 1 (PCIe [x4] NVMe Storage)
- Aluminum Design
- IP65 Compliant Front Bezel
- Fanless Operation
- VESA Mount/Built-in Panel Mount Bracket
- 9-30V DC in a wide range of input



## Specifications

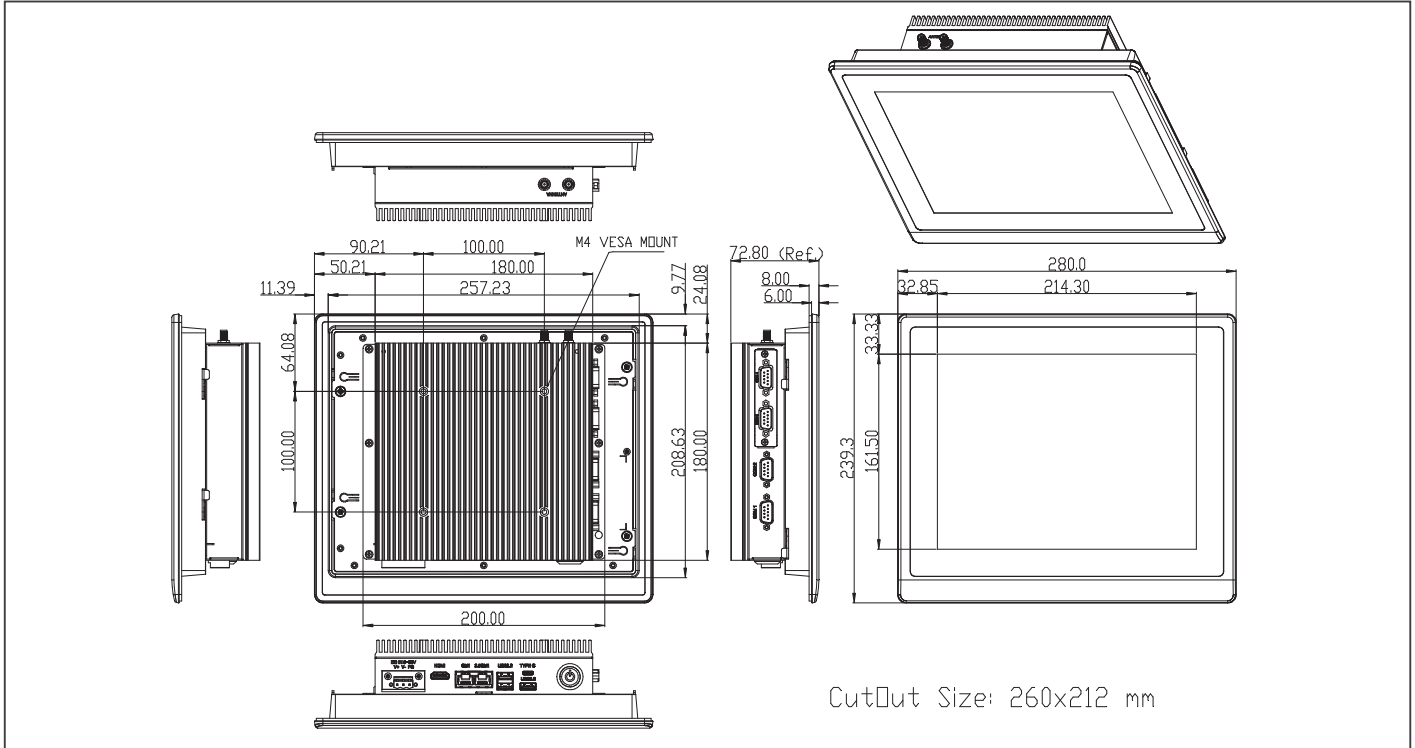
System	
Processor	12th Generation Intel® Core™/Celeron® Processors
System Memory	DDR5 4800MHz, Dual Channel SODIMM x 2
LCD/CRT Controller	—
Ethernet	Intel® Ethernet Connection I219, 10/100/1000Base Intel® Ethernet Controller I226, 10/100/1000/2500Base
I/O Port	RJ-45 LAN x 2 USB 3.2 Gen 2 (Type-A) x 3 USB 3.2 Gen 2 (Type-C) x 1 HDMI 2.0b x 1 DB-9 x 2 (RS-232/422/485)
Storage Disk Drive	2.5" HDD Bay for SATA 6Gb/s x 1 M.2 2280 M-Key x 1 (PCIe [x4] NVMe Storage)
Expansion Slot	M.2 3052 B-Key x 1 (BOM Optional: PCIe [x2], default: USB 3.2 Gen 2 + SATA) M.2 2230 E-Key x 1 (PCIe, USB 2.0)
OS support	Windows® 10 IoT Enterprise LTSC 2021 Windows® 10/11
Mechanical	
Construction	Aluminum Front Bezel + Metal Chassis
Mounting	VESA / Panel Mount
Dimension	11" x 9.4" x 2.8" (280mm x 239.3mm x 72.8mm)
Carton Dimension	16.3" x 15.4" x 7" (415mm x 392mm x 180mm)
Gross Weight	6.2 lb. (2.84Kg)
Environmental	
Operating Temperature	-4°F~122°F (-20°C~50°C) with airflow
Storage Temperature	-4°F~140°F (-20°C~60°C)
Storage Humidity	90% @40°C; non-condensing
Vibration	1Grms / 5- 500Hz / operation
Shock	15 G peak acceleration (11 msec. duration)
EMC	CE/FCC Class A Compatible
Power Supply	
DC input	DC 9-30V
LCD	
Display Type	10.4" TFT-LCD, LED
Max Resolution	1024 (H) x 768 (V)
Max. Colors	262K/16.7M
Luminance	500 cd/m <sup>2</sup>
Viewing Angle	176° (H) x 176° (V)
Back Light	LED
Back Light MTBF (Hours)	50,000
Touchscreen	
Type	P-CAP/ 5-wire resistive
Light Transmission	P-CAP (90% ± 3%), 5-wire Resistive (80% ± 3%)





## Dimension

Unit: mm



## Ordering Information

Part Number	Display Type	Max Resolution	Luminance	View Angle	CPU	LAN	USB	RS-232/422/485	Storage	RAM	Display	Internal Expansion	Mounting	Power	Operating Temp.	Touch
OMNI-3105HTT-ADP-A1-1010	10.4" TFT LCD	1024 x 768	500 cd/m <sup>2</sup>	176° (H) x 176° (V)	Intel® Celeron® Processor 7305E	2	USB 3.2 Gen2 (Type A) x 3 USB 3.2 Gen 2 (Type-C) x 1	2	2.5" SATA-III x1 M.2 2280 M-Key x1 (PCIe[x4] for NVMe Storage)	DDR5, up to 64GB	HDMI x1	M.2 3052 B Key x1 (Default: USB 3.2Gen 2 + SATA, PCIe[x2] optional by BOM) M.2 2230 E-Key x1 (PCIe, USB 2.0)	VESA / Panel Mount	DC 9-30V	-20°-50°C with air flow	Resistive Touch
OMNI-3105HTT-ADP-A2-1010	10.4" TFT LCD	1024 x 768	500 cd/m <sup>2</sup>	176° (H) x 176° (V)	Intel® Core™ i3-1215UE	2	USB 3.2 Gen2 (Type A) x 3 USB 3.2 Gen 2 (Type-C) x 1	2	2.5" SATA-III x1 M.2 2280 M-Key x1 (PCIe[x4] for NVMe Storage)	DDR5, up to 64GB	HDMI x1	M.2 3052 B Key x1 (Default: USB 3.2Gen 2 + SATA, PCIe[x2] optional by BOM) M.2 2230 E-Key x1 (PCIe, USB 2.0)	VESA / Panel Mount	DC 9-30V	-20°-50°C with air flow	Resistive Touch
OMNI-3105HTT-ADP-A3-1010	10.4" TFT LCD	1024 x 768	500 cd/m <sup>2</sup>	176° (H) x 176° (V)	Intel® Core™ i5-1245UE	2	USB 3.2 Gen2 (Type A) x 3 USB 3.2 Gen 2 (Type-C) x 1	2	2.5" SATA-III x1 M.2 2280 M-Key x1 (PCIe[x4] for NVMe Storage)	DDR5, up to 64GB	HDMI x1	M.2 3052 B Key x1 (Default: USB 3.2Gen 2 + SATA, PCIe[x2] optional by BOM) M.2 2230 E-Key x1 (PCIe, USB 2.0)	VESA / Panel Mount	DC 9-30V	-20°-50°C with air flow	Resistive Touch
OMNI-3105HTT-ADP-A5-1010	10.4" TFT LCD	1024 x 768	500 cd/m <sup>2</sup>	176° (H) x 176° (V)	Intel® Celeron® Processor 7305E	2	USB 3.2 Gen2 (Type A) x 3 USB 3.2 Gen 2 (Type-C) x 1	2	2.5" SATA-III x1 M.2 2280 M-Key x1 (PCIe[x4] for NVMe Storage)	DDR5, up to 64GB	HDMI x1	M.2 3052 B Key x1 (Default: USB 3.2Gen 2 + SATA, PCIe[x2] optional by BOM) M.2 2230 E-Key x1 (PCIe, USB 2.0)	VESA / Panel Mount	DC 9-30V	-20°-50°C with air flow	Projective Touch
OMNI-3105HTT-ADP-A6-1010	10.4" TFT LCD	1024 x 768	500 cd/m <sup>2</sup>	176° (H) x 176° (V)	Intel® Core™ i3-1215UE	2	USB 3.2 Gen2 (Type A) x 3 USB 3.2 Gen 2 (Type-C) x 1	2	2.5" SATA-III x1 M.2 2280 M-Key x1 (PCIe[x4] for NVMe Storage)	DDR5, up to 64GB	HDMI x1	M.2 3052 B Key x1 (Default: USB 3.2Gen 2 + SATA, PCIe[x2] optional by BOM) M.2 2230 E-Key x1 (PCIe, USB 2.0)	VESA / Panel Mount	DC 9-30V	-20°-50°C with air flow	Projective Touch
OMNI-3105HTT-ADP-A7-1010	10.4" TFT LCD	1024 x 768	500 cd/m <sup>2</sup>	176° (H) x 176° (V)	Intel® Core™ i5-1245UE	2	USB 3.2 Gen2 (Type A) x 3 USB 3.2 Gen 2 (Type-C) x 1	2	2.5" SATA-III x1 M.2 2280 M-Key x1 (PCIe[x4] for NVMe Storage)	DDR5, up to 64GB	HDMI x1	M.2 3052 B Key x1 (Default: USB 3.2Gen 2 + SATA, PCIe[x2] optional by BOM) M.2 2230 E-Key x1 (PCIe, USB 2.0)	VESA / Panel Mount	DC 9-30V	-20°-50°C with air flow	Projective Touch

## Packing List

- Phoenix Power Connector
- OMNI-3105-ADP
- Screws

## Optional Accessories

- **AP-OT9789LA1000**  
LA-100 LCD Monitor Stand
- **170X000799**  
Power Cord (US Type)
- **170X001024**  
Power Cord (European Type)
- **170X000803**  
Power Cord (Japanese Type)
- **1255X00059**  
19V 120W Power Adapter
- **9641MNAD0E**  
USB 2.0 x 2 (Expansion I/O Module)
- **9651MNAD01**  
RS-232/422/485 x 2 (Expansion I/O Module)
- **9641MNAD0D**  
USB 2.0 x 2 (Internal Port)

# OMNI-3125-ADP

12.1" Modular HMI Panel PC with 12th Generation Intel® Core™/Celeron® Processors

Front View

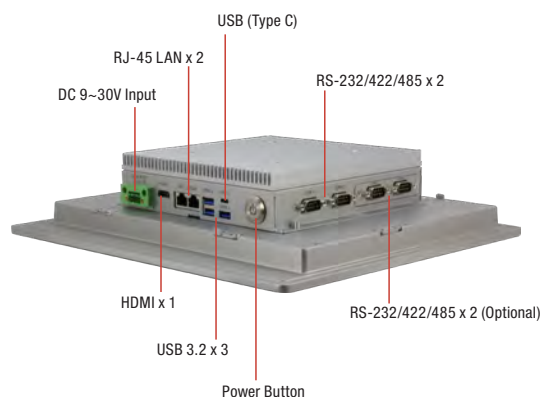


Top View



Antenna Hole x 2

Bottom View



## Features

- 12.1" (1024 x 768) TFT LCD Display
- Intel® Alder Lake-P i7/i5/i3/Celeron CPU (max. 15W TDP)
- P-CAP or Resistive Touch Screen Support
- M.2 2280 M-Key x 1 (PCIe [x4] NVMe Storage)
- Aluminum Design
- IP65 Compliant Front Bezel
- Fanless Operation
- VESA Mount/ Built-in Panel Mount Bracket
- 9-30V DC in a wide range of input



## Specifications

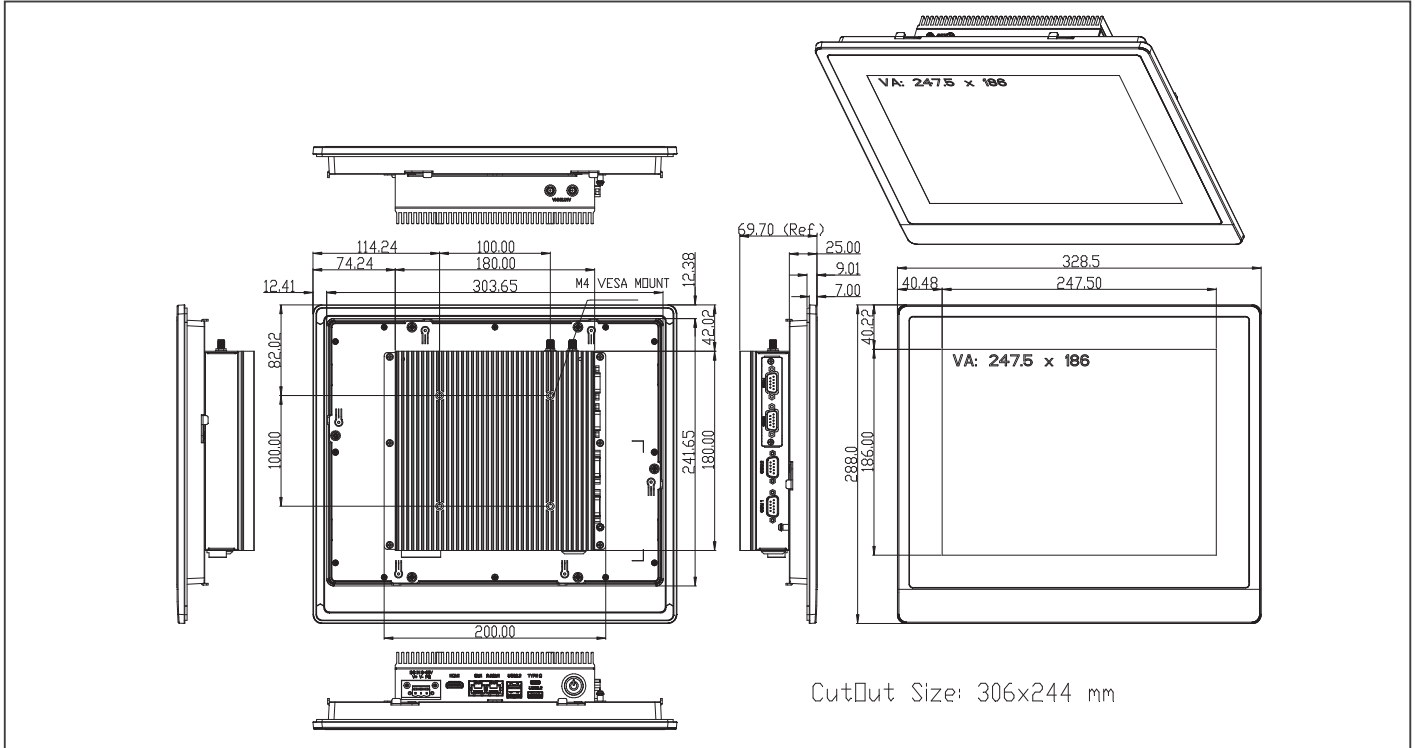
System	
Processor	12th Generation Intel® Core™/Celeron® Processors
System Memory	DDR5 4800 MHz, Dual Channel SODIMM x 2
LCD/CRT Controller	—
Ethernet	Intel® Ethernet Connection I219, 10/100/1000Base Intel® Ethernet Controller I226, 10/100/1000/2500Base
I/O Port	RJ-45 LAN x 2 USB 3.2 Gen 2 (Type-A) x 3 USB 3.2 Gen 2 (Type-C) x 1 HDMI 2.0b x 1 DB-9 x 2 (RS-232/422/485)
Storage Disk Drive	2.5" HDD Bay for SATA 6Gb/s x 1 M.2 2280 M-Key x 1 (PCIe [x4] NVMe Storage)
Expansion Slot	M.2 3052 B-Key x 1 (BOM Optional: PCIe [x2], default: USB 3.2 Gen 2 + SATA) M.2 2230 E-Key x 1 (PCIe, USB 2.0)
OS support	Windows® 10 IoT Enterprise LTSC 2021 Windows® 10/11
Mechanical	
Construction	Aluminum Front Bezel + Metal Chassis
Mounting	VESA / Panel Mount
Dimension	12.9" x 11.3" x 2.7" (328.5mm x 288mm x 69.7mm)
Carton Dimension	20.9" x 17.5" x 7.9" (530mm x 445mm x 200mm)
Gross Weight	7.6 lb. (3.48Kg)
Environmental	
Operating Temperature	-4°F~122°F (-20°C~50°C) with airflow
Storage Temperature	-4°F~140°F(-20°C~60°C)
Storage Humidity	90% @40°C; non-condensing
Vibration	1Grms / 5~ 500Hz / operation
Shock	15 G peak acceleration (11 msec. duration)
EMC	CE/FCC Class A Compatible
Power Supply	
DC input	DC 9~30V
LCD	
Display Type	12.1" TFT-LCD, LED
Max Resolution	1024(H) x 768(V)
Max. Colors	16.2M colors
Luminance	500 cd/m²
Viewing Angle	160° (H) ; 160° (V)
Back Light	LED
Back Light MTBF (Hours)	50,000 Hrs
Touchscreen	
Type	P-CAP/ 5-wire resistive
Light Transmission	P-CAP (90% ± 3%), 5-wire Resistive (80% ± 3%)





## Dimension

Unit: mm



## Ordering Information

Part Number	Display Type	Max Resolution	Luminance	View Angle	CPU	LAN	USB	RS-232/422/485	Storage	RAM	Display	Internal Expansion	Mounting	Power	Operating Temp.	Touch
OMNI-3125HTT-ADP-A1-1010	12.1" TFT LCD	1024 x 768	500 cd/m <sup>2</sup>	160°(H) / 160°(V)	Intel® Celeron® Processor 7305E	2	USB 3.2 Gen2 (Type A) x 3 USB 3.2 Gen 2 (Type-C) x 1	2	2.5" SATA-III x1 M.2 2280 M-Key x1 (PCIe[x4] for NVMe Storage)	DDR5, up to 64GB	HDMI x1	M.2 3052 B Key x1 (Default: USB 3.2Gen 2 + SATA, PCIe[x2] optional by BOM) M.2 2230 E-Key x1 (PCIe, USB 2.0)	VESA / Panel Mount	DC 9-30V	-20°-50°C with air flow	Resistive Touch
OMNI-3125HTT-ADP-A2-1010	12.1" TFT LCD	1024 x 768	500 cd/m <sup>2</sup>	160°(H) / 160°(V)	Intel® Core™ i3-1215UE	2	USB 3.2 Gen2 (Type A) x 3 USB 3.2 Gen 2 (Type-C) x 1	2	2.5" SATA-III x1 M.2 2280 M-Key x1 (PCIe[x4] for NVMe Storage)	DDR5, up to 64GB	HDMI x1	M.2 3052 B Key x1 (Default: USB 3.2Gen 2 + SATA, PCIe[x2] optional by BOM) M.2 2230 E-Key x1 (PCIe, USB 2.0)	VESA / Panel Mount	DC 9-30V	-20°-50°C with air flow	Resistive Touch
OMNI-3125HTT-ADP-A3-1010	12.1" TFT LCD	1024 x 768	500 cd/m <sup>2</sup>	160°(H) / 160°(V)	Intel® Core™ i5-1245UE	2	USB 3.2 Gen2 (Type A) x 3 USB 3.2 Gen 2 (Type-C) x 1	2	2.5" SATA-III x1 M.2 2280 M-Key x1 (PCIe[x4] for NVMe Storage)	DDR5, up to 64GB	HDMI x1	M.2 3052 B Key x1 (Default: USB 3.2Gen 2 + SATA, PCIe[x2] optional by BOM) M.2 2230 E-Key x1 (PCIe, USB 2.0)	VESA / Panel Mount	DC 9-30V	-20°-50°C with air flow	Resistive Touch
OMNI-3125HTT-ADP-A5-1010	12.1" TFT LCD	1024 x 768	500 cd/m <sup>2</sup>	160°(H) / 160°(V)	Intel® Celeron® Processor 7305E	2	USB 3.2 Gen2 (Type A) x 3 USB 3.2 Gen 2 (Type-C) x 1	2	2.5" SATA-III x1 M.2 2280 M-Key x1 (PCIe[x4] for NVMe Storage)	DDR5, up to 64GB	HDMI x1	M.2 3052 B Key x1 (Default: USB 3.2Gen 2 + SATA, PCIe[x2] optional by BOM) M.2 2230 E-Key x1 (PCIe, USB 2.0)	VESA / Panel Mount	DC 9-30V	-20°-50°C with air flow	Projective Touch
OMNI-3125HTT-ADP-A6-1010	12.1" TFT LCD	1024 x 768	500 cd/m <sup>2</sup>	160°(H) / 160°(V)	Intel® Core™ i3-1215UE	2	USB 3.2 Gen2 (Type A) x 3 USB 3.2 Gen 2 (Type-C) x 1	2	2.5" SATA-III x1 M.2 2280 M-Key x1 (PCIe[x4] for NVMe Storage)	DDR5, up to 64GB	HDMI x1	M.2 3052 B Key x1 (Default: USB 3.2Gen 2 + SATA, PCIe[x2] optional by BOM) M.2 2230 E-Key x1 (PCIe, USB 2.0)	VESA / Panel Mount	DC 9-30V	-20°-50°C with air flow	Projective Touch
OMNI-3125HTT-ADP-A7-1010	12.1" TFT LCD	1024 x 768	500 cd/m <sup>2</sup>	160°(H) / 160°(V)	Intel® Core™ i5-1245UE	2	USB 3.2 Gen2 (Type A) x 3 USB 3.2 Gen 2 (Type-C) x 1	2	2.5" SATA-III x1 M.2 2280 M-Key x1 (PCIe[x4] for NVMe Storage)	DDR5, up to 64GB	HDMI x1	M.2 3052 B Key x1 (Default: USB 3.2Gen 2 + SATA, PCIe[x2] optional by BOM) M.2 2230 E-Key x1 (PCIe, USB 2.0)	VESA / Panel Mount	DC 9-30V	-20°-50°C with air flow	Projective Touch

## Packing List

- Phoenix Power Connector
- OMNI-3125-ADP
- Screws

## Optional Accessories

- **AP-0T9789LA1000**  
LA-100 LCD Monitor Stand
- **170X000799**  
Power Cord (US Type)
- **170X001024**  
Power Cord (European Type)
- **170X000803**  
Power Cord (Japanese Type)
- **1255X00059**  
19V 120W Power Adapter
- **9641MNAD0E**  
USB 2.0 x 2 (Expansion I/O Module)
- **9651MNAD01**  
RS-232/422/485 x 2 (Expansion I/O Module)
- **9641MNAD0D**  
USB 2.0 x 2 (Internal Port)

# OMNI-3155-ADP

15" Modular HMI Panel PC with 12th Generation Intel® Core™/Celeron® Processors

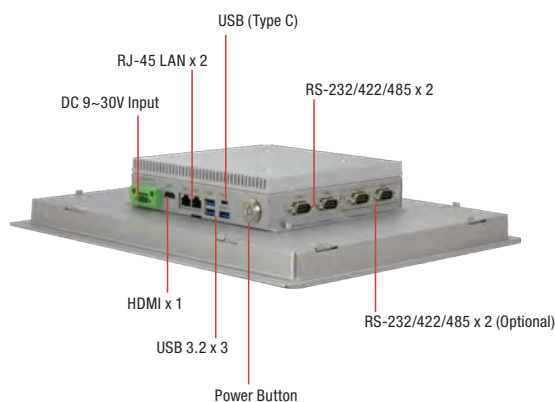
Front View



Top View



Bottom View



## Features

- 15" (1024 x 768) TFT LCD Display
- 12th Generation Intel® Core™/Celeron® Processors
- P-CAP or Resistive Touch Screen Support
- M.2 2280 M-Key x 1 (PCIe [x4] NVMe Storage)
- Aluminum Design
- IP65 Compliant Front Bezel
- Fanless Operation
- VESA Mount/ Built-in Panel Mount Bracket
- 9-30V DC in a wide range of input



## Specifications

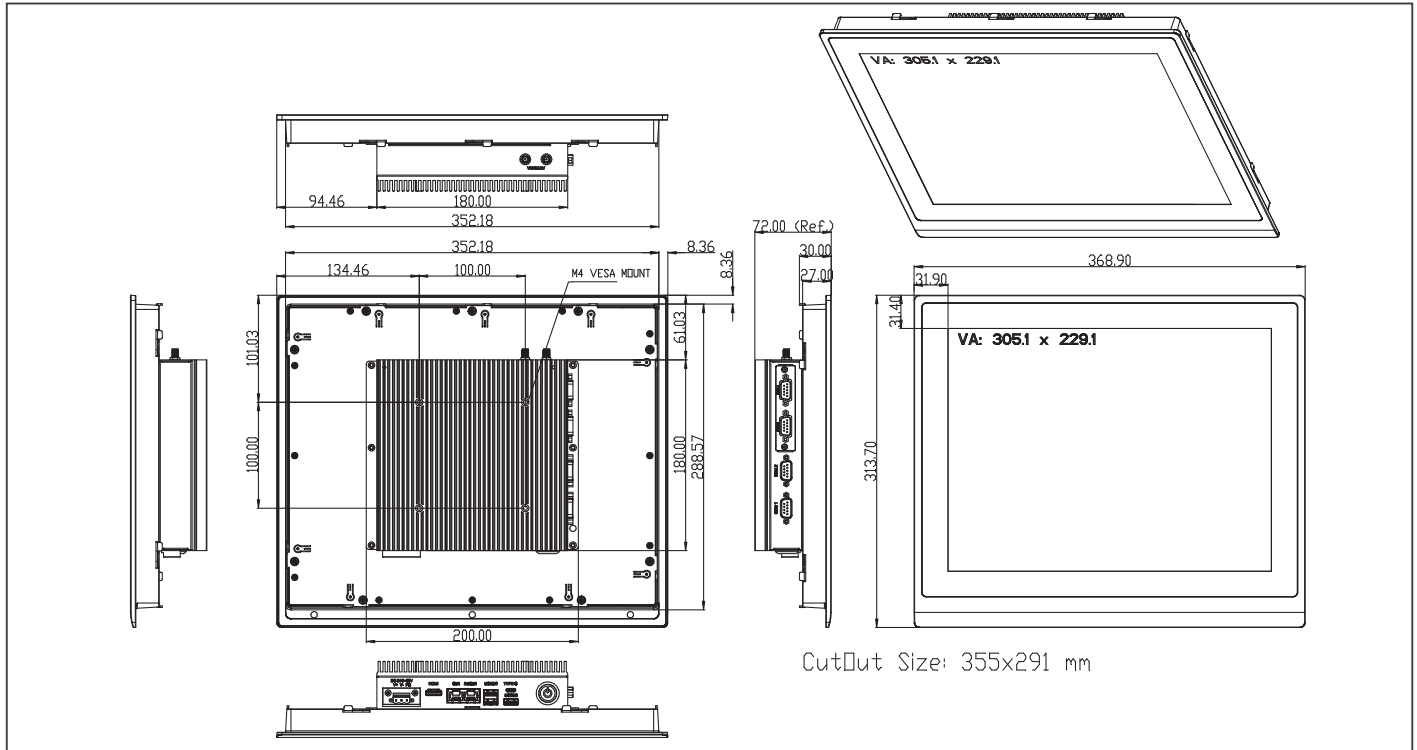
System	
Processor	12th Generation Intel® Core™/Celeron® Processors
System Memory	DDR5 4800 MHz, Dual Channel SODIMM x 2
LCD/CRT Controller	—
Ethernet	Intel® Ethernet Connection I219, 10/100/1000Base Intel® Ethernet Controller I226, 10/100/1000/2500Base
I/O Port	RJ-45 LAN x 2 USB 3.2 Gen 2 (Type-A) x 3 USB 3.2 Gen 2 (Type-C) x 1 HDMI 2.0b x 1 DB-9 x 2 (RS-232/422/485)
Storage Disk Drive	2.5" HDD Bay for SATA 6Gb/s x 1 M.2 2280 M-Key x 1 (PCIe [x4] NVMe Storage)
Expansion Slot	M.2 3052 B-Key x 1 (BOM Optional: PCIe [x2], default: USB 3.2 Gen 2 + SATA) M.2 2230 E-Key x 1 (PCIe, USB 2.0)
OS support	Windows® 10 IoT Enterprise LTSC 2021 Windows® 10/11
Mechanical	
Construction	Aluminum Front Bezel + Metal Chassis
Mounting	VESA / Panel Mount
Dimension	14.52" x 12.35" x 2.83" (368.9mm x 313.7mm x 72mm)
Carton Dimension	20.1" x 18.1" x 9.8" (510mm x 460mm x 250mm)
Gross Weight	8.5 lb. (3.9Kg)
Environmental	
Operating Temperature	-4°F~122°F (-20°C~50°C) with airflow
Storage Temperature	-4°F~140°F(-20°C~60°C)
Storage Humidity	90% @40°C; non-condensing
Vibration	1Grms / 5~ 500Hz / operation
Shock	15 G peak acceleration (11 msec. duration)
EMC	CE/FCC Class A Compatible
Power Supply	
DC input	DC 9~30V
LCD	
Display Type	15" TFT-LCD, LED
Max Resolution	1024(H) x 768(V)
Max. Colors	16.2M (8 bit/color)
Luminance	300 cd/m²
Viewing Angle	176° (H), 176° (V)
Back Light	LED
Back Light MTBF (Hours)	70,000
Touchscreen	
Type	P-CAP/ 5-wire resistive
Light Transmission	P-CAP (90% ± 2%), 5-wire Resistive (80% ± 2%)





## Dimension

Unit: mm



## Ordering Information

Part Number	Display Type	Max Resolution	Luminance	View Angle	CPU	LAN	USB	RS-232/422/485	Storage	RAM	Display	Internal Expansion	Mounting	Power	Operating Temp.	Touch
OMNI-3155HTT-ADP-A1-1010	15" TFT LCD	1024 x 768	300 cd/m <sup>2</sup>	176°(H)/176°(V)	Intel® Celeron® Processor 7305E	2	USB 3.2 Gen2 (Type A) x 3 USB 3.2 Gen 2 (Type-C) x 1	2	2.5" SATA-III x1 M.2 2280 M-Key x1 (PCIe[x4] for NVMe Storage)	DDR5, up to 64GB	HDMI x1	M.2 3052 B Key x1 (Default: USB 3.2Gen 2 + SATA, PCIe[x2] optional by BOM) M.2 2230 E-Key x1 (PCIe, USB 2.0)	VESA / Panel Mount	DC 9-30V	-20°-50°C with air flow	Resistive Touch
OMNI-3155HTT-ADP-A2-1010	15" TFT LCD	1024 x 768	300 cd/m <sup>2</sup>	176°(H)/176°(V)	Intel® Core™ i3-1215UE	2	USB 3.2 Gen2 (Type A) x 3 USB 3.2 Gen 2 (Type-C) x 1	2	2.5" SATA-III x1 M.2 2280 M-Key x1 (PCIe[x4] for NVMe Storage)	DDR5, up to 64GB	HDMI x1	M.2 3052 B Key x1 (Default: USB 3.2Gen 2 + SATA, PCIe[x2] optional by BOM) M.2 2230 E-Key x1 (PCIe, USB 2.0)	VESA / Panel Mount	DC 9-30V	-20°-50°C with air flow	Resistive Touch
OMNI-3155HTT-ADP-A3-1010	15" TFT LCD	1024 x 768	300 cd/m <sup>2</sup>	176°(H)/176°(V)	Intel® Core™ i5-1245UE	2	USB 3.2 Gen2 (Type A) x 3 USB 3.2 Gen 2 (Type-C) x 1	2	2.5" SATA-III x1 M.2 2280 M-Key x1 (PCIe[x4] for NVMe Storage)	DDR5, up to 64GB	HDMI x1	M.2 3052 B Key x1 (Default: USB 3.2Gen 2 + SATA, PCIe[x2] optional by BOM) M.2 2230 E-Key x1 (PCIe, USB 2.0)	VESA / Panel Mount	DC 9-30V	-20°-50°C with air flow	Resistive Touch
OMNI-3155HTT-ADP-A5-1010	15" TFT LCD	1024 x 768	300 cd/m <sup>2</sup>	176°(H)/176°(V)	Intel® Celeron® Processor 7305E	2	USB 3.2 Gen2 (Type A) x 3 USB 3.2 Gen 2 (Type-C) x 1	2	2.5" SATA-III x1 M.2 2280 M-Key x1 (PCIe[x4] for NVMe Storage)	DDR5, up to 64GB	HDMI x1	M.2 3052 B Key x1 (Default: USB 3.2Gen 2 + SATA, PCIe[x2] optional by BOM) M.2 2230 E-Key x1 (PCIe, USB 2.0)	VESA / Panel Mount	DC 9-30V	-20°-50°C with air flow	Projective Touch
OMNI-3155HTT-ADP-A6-1010	15" TFT LCD	1024 x 768	300 cd/m <sup>2</sup>	176°(H)/176°(V)	Intel® Core™ i3-1215UE	2	USB 3.2 Gen2 (Type A) x 3 USB 3.2 Gen 2 (Type-C) x 1	2	2.5" SATA-III x1 M.2 2280 M-Key x1 (PCIe[x4] for NVMe Storage)	DDR5, up to 64GB	HDMI x1	M.2 3052 B Key x1 (Default: USB 3.2Gen 2 + SATA, PCIe[x2] optional by BOM) M.2 2230 E-Key x1 (PCIe, USB 2.0)	VESA / Panel Mount	DC 9-30V	-20°-50°C with air flow	Projective Touch
OMNI-3155HTT-ADP-A7-1010	15" TFT LCD	1024 x 768	300 cd/m <sup>2</sup>	176°(H)/176°(V)	Intel® Core™ i5-1245UE	2	USB 3.2 Gen2 (Type A) x 3 USB 3.2 Gen 2 (Type-C) x 1	2	2.5" SATA-III x1 M.2 2280 M-Key x1 (PCIe[x4] for NVMe Storage)	DDR5, up to 64GB	HDMI x1	M.2 3052 B Key x1 (Default: USB 3.2Gen 2 + SATA, PCIe[x2] optional by BOM) M.2 2230 E-Key x1 (PCIe, USB 2.0)	VESA / Panel Mount	DC 9-30V	-20°-50°C with air flow	Projective Touch

## Packing List

- Phoenix Power Connector
- OMNI-3155-ADP
- Screws

## Optional Accessories

- AP-0T9789LA1000  
LA-100 LCD Monitor Stand
- 170X000799  
Power Cord (US Type)
- 170X001024  
Power Cord (European Type)
- 170X000803  
Power Cord (Japanese Type)
- 1255X00059  
19V 120W Power Adapter
- 9641MNADOE  
USB 2.0 x 2 (Expansion I/O Module)
- 9651MNADO1  
RS-232/422/485 x 2 (Expansion I/O Module)
- 9641MNADOD  
USB 2.0 x 2 (Internal Port)

# OMNI-3175-ADP

17" Modular HMI Panel PC with 12th Generation Intel® Core™/Celeron® Processors

Front View

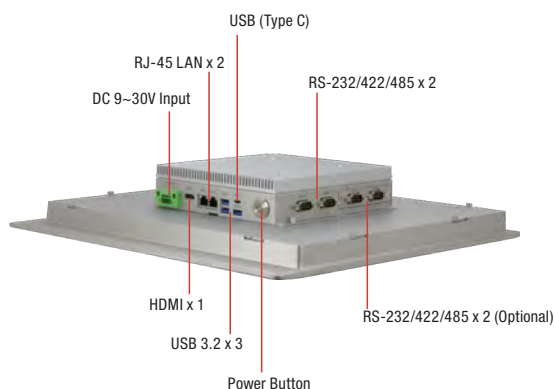


Top View



Antenna Hole x 2

Bottom View



## Features

- 17" (1280 x 1024) TFT LCD Display
- 12th Generation Intel® Core™/Celeron® Processors
- P-CAP or Resistive Touch Screen Support
- M.2 2280 M-Key x 1 (PCIe [x4] NVMe Storage)
- Aluminum Design
- IP65 Compliant Front Bezel
- Fanless Operation
- VESA Mount/ Built-in Panel Mount Bracket
- 9-30V DC in a wide range of input



## Specifications

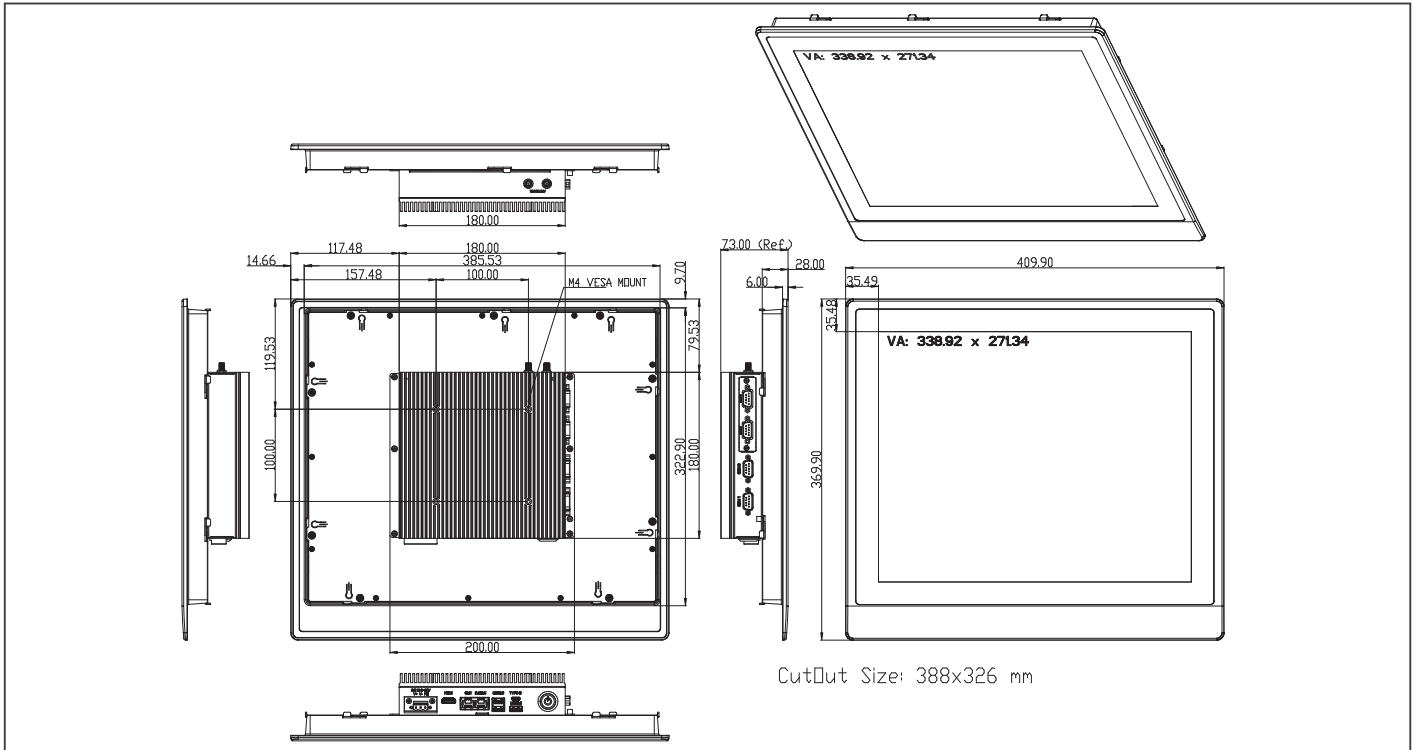
System	
Processor	12th Generation Intel® Core™/Celeron® Processors
System Memory	DDR5 4800 MHz, Dual Channel SODIMM x 2
LCD/CRT Controller	—
Ethernet	Intel® Ethernet Connection I219, 10/100/1000Base Intel® Ethernet Controller I226, 10/100/1000/2500Base
I/O Port	RJ-45 LAN x 2 USB 3.2 Gen 2 (Type-A) x 3 USB 3.2 Gen 2 (Type-C) x 1 HDMI 2.0b x 1 DB-9 x 2 (RS-232/422/485)
Storage Disk Drive	2.5" HDD Bay for SATA 6Gb/s x 1 M.2 2280 M-Key x 1 (PCIe [x4] NVMe Storage)
Expansion Slot	M.2 3052 B-Key x 1 (BOM Optional: PCIe [x2], default: USB 3.2 Gen 2 + SATA) M.2 2230 E-Key x 1 (PCIe, USB 2.0)
OS support	Windows® 10 IoT Enterprise LTSC 2021 Windows® 10/11
Mechanical	
Construction	Aluminum Front Bezel + Metal Chassis
Mounting	VESA / Panel Mount
Dimension	16.14" x 14.56" x 2.87" (409.9mm x 369.9mm x 73mm)
Carton Dimension	20.1" x 18.1" x 9.8" (510mm x 460mm x 250mm)
Gross Weight	12.4 lb. (5.63Kg)
Environmental	
Operating Temperature	-4°F~122°F (-20°C~50°C) with airflow
Storage Temperature	-4°F~140°F(-20°C~60°C)
Storage Humidity	90% @40°C; non-condensing
Vibration	1Grms / 5~ 500Hz / operation
Shock	15 G peak acceleration (11 msec. duration)
EMC	CE/FCC Class A Compatible
Power Supply	
DC input	DC 9~30V
LCD	
Display Type	17" TFT-LCD, LED
Max Resolution	1280(H) x 1024(V)
Max. Colors	16.7M colors (RGB 6-bits + Hi-FRC data)
Luminance	350 cd/m <sup>2</sup>
Viewing Angle	170° (H), 160° (V)
Back Light	LED
Back Light MTBF (Hours)	50,000
Touchscreen	
Type	P-CAP/ 5-wire resistive
Light Transmission	P-CAP (90% ± 3%), 5-wire Resistive (80% ± 3%)





## Dimension

Unit: mm



## Ordering Information

Part Number	Display Type	Max Resolution	Luminance	View Angle	CPU	LAN	USB	RS-232/422/485	Storage	RAM	Display	Internal Expansion	Mounting	Power	Operating Temp.	Touch
OMNI-3175HTT-ADP-A1-1010	17" TFT LCD	1280 x 1024	350 cd/m <sup>2</sup>	170°(H)/160°(V)	Intel® Celeron® Processor 7305E	2	USB 3.2 Gen2 (Type A) x 3 USB 3.2 Gen 2 (Type-C) x 1	2	2.5" SATA-III x1 M.2 2280 M-Key x1 (PCIe[x4] for NVMe Storage)	DDR5, up to 64GB	HDMI x1	M.2 3052 B Key x1 (Default: USB 3.2Gen 2 + SATA, PCIe[x2] optional by BOM) M.2 2230 E-Key x1 (PCIe, USB 2.0)	VESA / Panel Mount	DC 9~30V	-20°C~50°C with air flow	Resistive Touch
OMNI-3175HTT-ADP-A2-1010	17" TFT LCD	1280 x 1024	350 cd/m <sup>2</sup>	170°(H)/160°(V)	Intel® Core™ i3-1215UE	2	USB 3.2 Gen2 (Type A) x 3 USB 3.2 Gen 2 (Type-C) x 1	2	2.5" SATA-III x1 M.2 2280 M-Key x1 (PCIe[x4] for NVMe Storage)	DDR5, up to 64GB	HDMI x1	M.2 3052 B Key x1 (Default: USB 3.2Gen 2 + SATA, PCIe[x2] optional by BOM) M.2 2230 E-Key x1 (PCIe, USB 2.0)	VESA / Panel Mount	DC 9~30V	-20°C~50°C with air flow	Resistive Touch
OMNI-3175HTT-ADP-A3-1010	17" TFT LCD	1280 x 1024	350 cd/m <sup>2</sup>	170°(H)/160°(V)	Intel® Core™ i5-1245UE	2	USB 3.2 Gen2 (Type A) x 3 USB 3.2 Gen 2 (Type-C) x 1	2	2.5" SATA-III x1 M.2 2280 M-Key x1 (PCIe[x4] for NVMe Storage)	DDR5, up to 64GB	HDMI x1	M.2 3052 B Key x1 (Default: USB 3.2Gen 2 + SATA, PCIe[x2] optional by BOM) M.2 2230 E-Key x1 (PCIe, USB 2.0)	VESA / Panel Mount	DC 9~30V	-20°C~50°C with air flow	Resistive Touch
OMNI-3175HTT-ADP-A5-1010	17" TFT LCD	1280 x 1024	350 cd/m <sup>2</sup>	170°(H)/160°(V)	Intel® Celeron® Processor 7305E	2	USB 3.2 Gen2 (Type A) x 3 USB 3.2 Gen 2 (Type-C) x 1	2	2.5" SATA-III x1 M.2 2280 M-Key x1 (PCIe[x4] for NVMe Storage)	DDR5, up to 64GB	HDMI x1	M.2 3052 B Key x1 (Default: USB 3.2Gen 2 + SATA, PCIe[x2] optional by BOM) M.2 2230 E-Key x1 (PCIe, USB 2.0)	VESA / Panel Mount	DC 9~30V	-20°C~50°C with air flow	Projective Touch
OMNI-3175HTT-ADP-A6-1010	17" TFT LCD	1280 x 1024	350 cd/m <sup>2</sup>	170°(H)/160°(V)	Intel® Core™ i3-1215UE	2	USB 3.2 Gen2 (Type A) x 3 USB 3.2 Gen 2 (Type-C) x 1	2	2.5" SATA-III x1 M.2 2280 M-Key x1 (PCIe[x4] for NVMe Storage)	DDR5, up to 64GB	HDMI x1	M.2 3052 B Key x1 (Default: USB 3.2Gen 2 + SATA, PCIe[x2] optional by BOM) M.2 2230 E-Key x1 (PCIe, USB 2.0)	VESA / Panel Mount	DC 9~30V	-20°C~50°C with air flow	Projective Touch
OMNI-3175HTT-ADP-A7-1010	17" TFT LCD	1280 x 1024	350 cd/m <sup>2</sup>	170°(H)/160°(V)	Intel® Core™ i5-1245UE	2	USB 3.2 Gen2 (Type A) x 3 USB 3.2 Gen 2 (Type-C) x 1	2	2.5" SATA-III x1 M.2 2280 M-Key x1 (PCIe[x4] for NVMe Storage)	DDR5, up to 64GB	HDMI x1	M.2 3052 B Key x1 (Default: USB 3.2Gen 2 + SATA, PCIe[x2] optional by BOM) M.2 2230 E-Key x1 (PCIe, USB 2.0)	VESA / Panel Mount	DC 9~30V	-20°C~50°C with air flow	Projective Touch

## Packing List

- Phoenix Power Connector
- OMNI-3175-ADP
- Screws

## Optional Accessories

- **AP-OT9789LA1000**  
LA-100 LCD Monitor Stand
- **170X000799**  
Power Cord (US Type)
- **170X001024**  
Power Cord (European Type)
- **170X000803**  
Power Cord (Japanese Type)
- **1255X00059**  
19V 120W Power Adapter
- **9641MNAD0E**  
USB 2.0 x 2 (Expansion I/O Module)
- **9651MNAD0I**  
RS-232/422/485 x 2 (Expansion I/O Module)
- **9641MNAD0D**  
USB 2.0 x 2 (Internal Port)

# OMNI-3195-ADP

19" Modular HMI Panel PC with 12th Generation Intel® Core™/Celeron® Processors

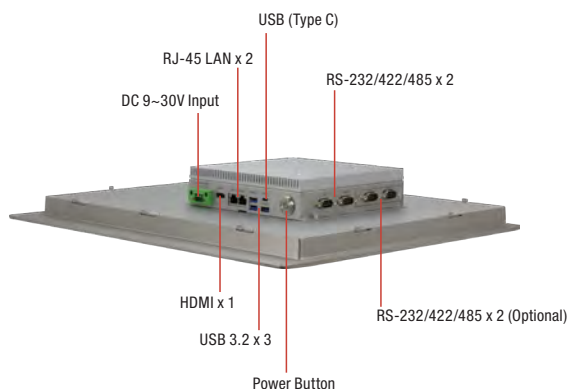
Front View



Top View



Bottom View



## Features

- 19" (1280 x 1024) TFT LCD Display
- 12th Generation Intel® Core™/Celeron® Processors
- P-CAP or Resistive Touch Screen Support
- M.2 2280 M-Key x 1 (PCIe [x4] NVMe Storage)
- Aluminum Design
- IP65 Compliant Front Bezel
- Fanless Operation
- VESA Mount/ Built-in Panel Mount Bracket
- 9 - 30V DC in a wide range of input



## Specifications

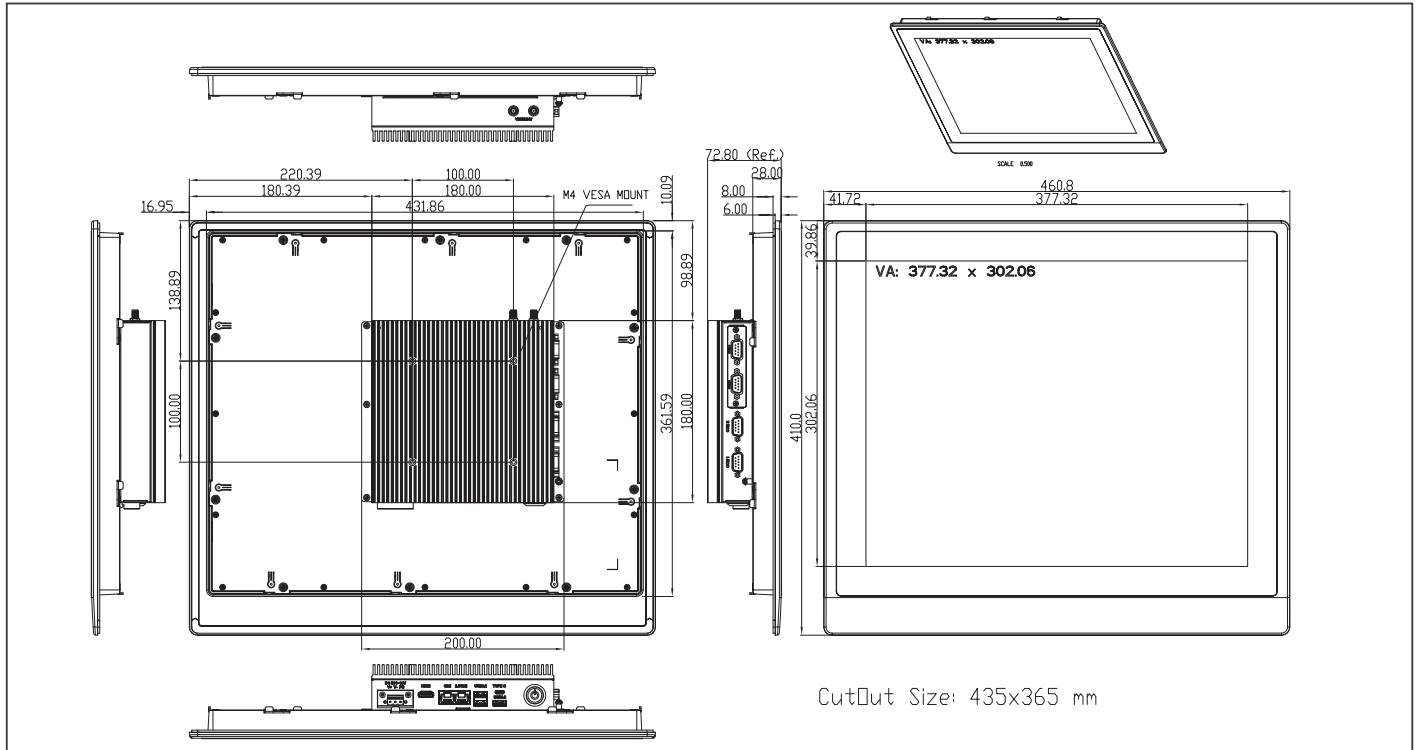
System	
Processor	12th Generation Intel® Core™/Celeron® Processors
System Memory	DDR5 4800 MHz, Dual Channel SODIMM x 2
LCD/CRT Controller	—
Ethernet	Intel® Ethernet Connection I219, 10/100/1000Base Intel® Ethernet Controller I226, 10/100/1000/2500Base
I/O Port	RJ-45 LAN x 2 USB 3.2 Gen 2 (Type-A) x 3 USB 3.2 Gen 2 (Type-C) x 1 HDMI 2.0b x 1 DB-9 x 2 (RS-232/422/485)
Storage Disk Drive	2.5" HDD Bay for SATA 6Gb/s x 1 M.2 2280 M-Key x 1 (PCIe [x4] NVMe Storage)
Expansion Slot	M.2 3052 B-Key x 1 (BOM Optional: PCIe [x2], default: USB 3.2 Gen 2 + SATA) M.2 2230 E-Key x 1 (PCIe, USB 2.0)
OS support	Windows® 10 IoT Enterprise LTSC 2021 Windows® 10/11
Mechanical	
Construction	Aluminum Front Bezel + Metal Chassis
Mounting	VESA / Panel Mount
Dimension	18.15" x 16.14" x 2.87" (460.8mm x 410mm x 72.8mm)
Carton Dimension	26.02" x 19.53" x 8.11" (661mm x 496mm x 206mm)
Gross Weight	13.9 lb. (6.34Kg)
Environmental	
Operating Temperature	-4°F~-122°F (-20°C~50°C) with airflow
Storage Temperature	-4°F~-140°F(-20°C~60°C)
Storage Humidity	90% @40°C; non-condensing
Vibration	1Grms / 5~ 500Hz / operation
Shock	15 G peak acceleration (11 msec. duration)
EMC	CE/FCC Class A Compatible
Power Supply	
DC input	DC 9~30V
LCD	
Display Type	19" TFT-LCD, LED
Max Resolution	1280(H) x 1024(V)
Max. Colors	16.7M colors
Luminance	350 cd/m <sup>2</sup>
Viewing Angle	170° (H), 160° (V)
Back Light	LED
Back Light MTBF (Hours)	50,000
Touchscreen	
Type	P-CAP/ 5-wire resistive
Light Transmission	P-CAP (90% ± 3%), 5-wire Resistive (80% ± 3%)





## Dimension

Unit: mm



## Ordering Information

Part Number	Display Type	Max Resolution	Luminance	View Angle	CPU	LAN	USB	RS-232/422/485	Storage	RAM	Display	Internal Expansion	Mounting	Power	Operating Temp.	Touch
OMNI-3195HTT-ADP-A1-1010	19" TFT LCD	1280 x 1024	350 cd/m <sup>2</sup>	170°(H)/160°(V)	Intel® Celeron® Processor 7305E	2	USB 3.2 Gen2 (Type A) x 3 USB 3.2 Gen 2 (Type-C) x 1	2	2.5" SATA-III x1 M.2 2280 M-Key x1 (PCIe[x4] for NVMe Storage)	DDR5, up to 64GB	HDMI x1	M.2 3052 B Key x1 (Default: USB 3.2Gen 2 + SATA, PCIe[x2] optional by BOM) M.2 2230 E-Key x1 (PCIe, USB 2.0)	VESA / Panel Mount	DC 9~30V	-20o~50oC with air flow	Resistive Touch
OMNI-3195HTT-ADP-A2-1010	19" TFT LCD	1280 x 1024	350 cd/m <sup>2</sup>	170°(H)/160°(V)	Intel® Core™ i3-1215UE	2	USB 3.2 Gen2 (Type A) x 3 USB 3.2 Gen 2 (Type-C) x 1	2	2.5" SATA-III x1 M.2 2280 M-Key x1 (PCIe[x4] for NVMe Storage)	DDR5, up to 64GB	HDMI x1	M.2 3052 B Key x1 (Default: USB 3.2Gen 2 + SATA, PCIe[x2] optional by BOM) M.2 2230 E-Key x1 (PCIe, USB 2.0)	VESA / Panel Mount	DC 9~30V	-20o~50oC with air flow	Resistive Touch
OMNI-3195HTT-ADP-A3-1010	19" TFT LCD	1280 x 1024	350 cd/m <sup>2</sup>	170°(H)/160°(V)	Intel® Core™ i5-1245UE	2	USB 3.2 Gen2 (Type A) x 3 USB 3.2 Gen 2 (Type-C) x 1	2	2.5" SATA-III x1 M.2 2280 M-Key x1 (PCIe[x4] for NVMe Storage)	DDR5, up to 64GB	HDMI x1	M.2 3052 B Key x1 (Default: USB 3.2Gen 2 + SATA, PCIe[x2] optional by BOM) M.2 2230 E-Key x1 (PCIe, USB 2.0)	VESA / Panel Mount	DC 9~30V	-20o~50oC with air flow	Resistive Touch
OMNI-3195HTT-ADP-A5-1010	19" TFT LCD	1280 x 1024	350 cd/m <sup>2</sup>	170°(H)/160°(V)	Intel® Celeron® Processor 7305E	2	USB 3.2 Gen2 (Type A) x 3 USB 3.2 Gen 2 (Type-C) x 1	2	2.5" SATA-III x1 M.2 2280 M-Key x1 (PCIe[x4] for NVMe Storage)	DDR5, up to 64GB	HDMI x1	M.2 3052 B Key x1 (Default: USB 3.2Gen 2 + SATA, PCIe[x2] optional by BOM) M.2 2230 E-Key x1 (PCIe, USB 2.0)	VESA / Panel Mount	DC 9~30V	-20o~50oC with air flow	Projective Touch
OMNI-3195HTT-ADP-A6-1010	19" TFT LCD	1280 x 1024	350 cd/m <sup>2</sup>	170°(H)/160°(V)	Intel® Core™ i3-1215UE	2	USB 3.2 Gen2 (Type A) x 3 USB 3.2 Gen 2 (Type-C) x 1	2	2.5" SATA-III x1 M.2 2280 M-Key x1 (PCIe[x4] for NVMe Storage)	DDR5, up to 64GB	HDMI x1	M.2 3052 B Key x1 (Default: USB 3.2Gen 2 + SATA, PCIe[x2] optional by BOM) M.2 2230 E-Key x1 (PCIe, USB 2.0)	VESA / Panel Mount	DC 9~30V	-20o~50oC with air flow	Projective Touch
OMNI-3195HTT-ADP-A7-1010	19" TFT LCD	1280 x 1024	350 cd/m <sup>2</sup>	170°(H)/160°(V)	Intel® Core™ i5-1245UE	2	USB 3.2 Gen2 (Type A) x 3 USB 3.2 Gen 2 (Type-C) x 1	2	2.5" SATA-III x1 M.2 2280 M-Key x1 (PCIe[x4] for NVMe Storage)	DDR5, up to 64GB	HDMI x1	M.2 3052 B Key x1 (Default: USB 3.2Gen 2 + SATA, PCIe[x2] optional by BOM) M.2 2230 E-Key x1 (PCIe, USB 2.0)	VESA / Panel Mount	DC 9~30V	-20o~50oC with air flow	Projective Touch

## Packing List

- Phoenix Power Connector
- OMNI-3195-ADP
- Screws

## Optional Accessories

- AP-OT9789LA1000  
LA-100 LCD Monitor Stand
- 170X000799  
Power Cord (US Type)
- 170X001024  
Power Cord (European Type)
- 170X000803  
Power Cord (Japanese Type)
- 1255X00059  
19V 120W Power Adapter
- 9641MNAD0E  
USB 2.0 x 2 (Expansion I/O Module)
- 9651MNAD01  
RS-232/422/485 x 2 (Expansion I/O Module)
- 9641MNAD0D  
USB 2.0 x 2 (Internal Port)

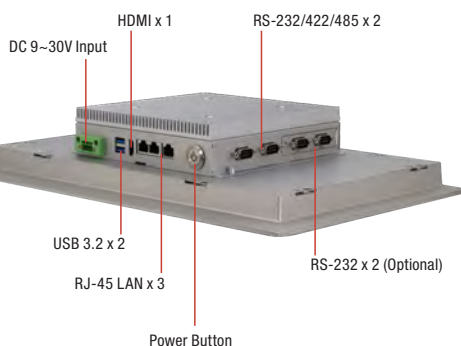
Front View



Top View



Bottom View



## Features

- 15.6" (1920 x 1080)/(1366 x 768) TFT LCD Display
- Intel® Processor N-series Processors
- Projected Capacitive Multi Touch
- Aluminum Design
- IP65 Compliant Front Bezel
- Fanless Operation
- VESA Mount/Built-in Panel Mount Bracket
- 9-30V DC in a wide range of input



## Specifications

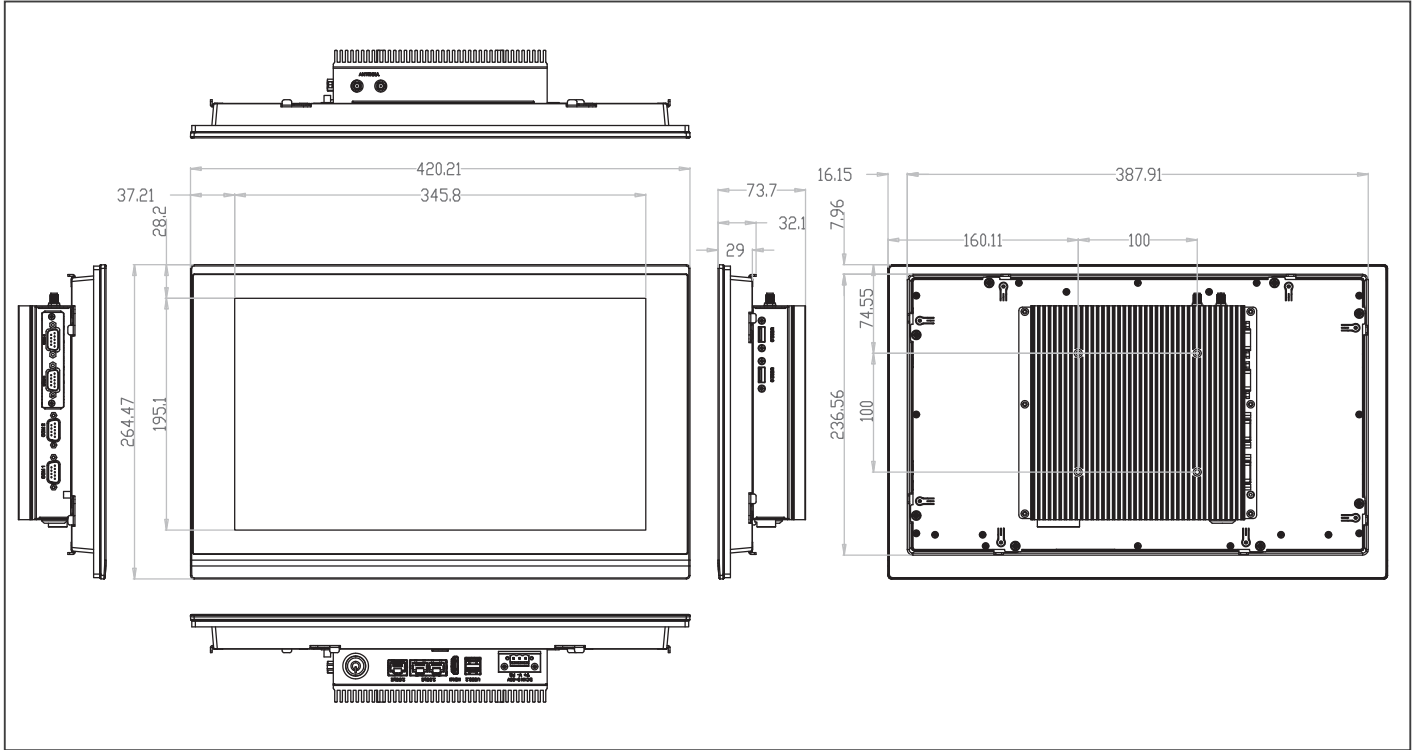
System	
Processor	Intel® Processor N50 Intel® Processor N97
System Memory	DDR5 4800 MHz, up to 16GB SODIMM x 1
LCD/CRT Controller	CPU Integrated
Ethernet	Intel® Ethernet Controller I226, 2.5GbE LAN x 3
I/O Port	USB 3.2 Gen 2 (Type-A) x 2 USB 2.0 x 2 via Cables DB-9 x 2 (RS-232/422/485, set by BIOS) HDMI 1.4b x 1 2.5GbE RJ-45 x 3 9V ~ 30V 3-pin DC Terminal Block Connector Power on/off Switch with LED Light x 1
Storage Disk Drive	2.5" SATA Drive Bay x 1 (SATA 6Gb/s) Full-size mPCIe (PCIe [x1]/SATA)
Expansion Slot	M.2 3052 B-Key x 1 with Nano SIM M.2 2230 E-Key x 1
OS support	Windows® 10 IoT Enterprise LTSC 2021 Windows® 10/11
Mechanical	
Construction	Aluminum Front Bezel + Metal Chassis
Mounting	Panel Mount/VESA Mount (VESA 100)
Dimension	16.5" x 10.4" x 2.9" (420mm x 264mm x 73mm)
Carton Dimension	20.9" x 17.5" x 7.9" (530mm x 445mm x 200mm)
Gross Weight	11.7 lb. (5.3Kg)
Environmental	
Operating Temperature	-4°F ~ 122°F (-20°C ~ 50°C) with 0.7m/s airflow
Storage Temperature	-4°F~140°F (-20°C~60°C)
Storage Humidity	90% @40°C; non-condensing
Vibration	1Grms /5~500Hz/ operation - with mSATA
Shock	15G peak acceleration (11 m sec. duration) with mSATA
EMC	CE/FCC Class A
Power Supply	
DC input	DC 9~30V
LCD	
Display Type	15.6" TFT-LCD, LED
Max Resolution	Regular 1366 (H) x 768 (V) Full HD 1920 (H) x 1080 (V)
Max. Colors	Regular :16.7M (8 bit/color) Full HD: 16.2M
Luminance	Regular: 400 cd/m <sup>2</sup> Full HD: 450 cd/m <sup>2</sup>
Viewing Angle	Regular: 170° (H); 130° (V) Full HD: 178° (H); 178° (V)
Back Light	LED
Back Light MTBF (Hours)	50,000
Touchscreen	
Type	Projected Capacitive Multi-Touch
Light Transmission	90%





## Dimension

Unit: mm



## Ordering Information

Part Number	Display Type	Max Resolution	Luminance	View Angle	CPU	LAN	USB	RS-232/422/485	Storage	RAM	Display	Internal Expansion	Mounting	Power	Operating Temp.	Touch
OMNI-2155HTT-ADN-A1-1010	15.6" TFT LCD	1366 x 768	400 cd/m <sup>2</sup>	170° (H) / 130° (V)	Intel® Processor N50	3	USB 3.2 x 2 USB 2.0 x 2	2	SATA-III x1 (6 Gb/s, for 2.5" SATA drive bay) Full Size mPCIe (Support PCIe(x1) / SATA)	DDR5, up to 16GB	HDMI x1	M.2 B-Key 3052 x1 with Nano SIM M.2 E-Key 2230 x1	VESA / Panel Mount	DC 9-30V	-20°C-50°C with air flow	Projective Touch
OMNI-2155HTT-ADN-A2-1010	15.6" TFT LCD	1366 x 768	400 cd/m <sup>2</sup>	170° (H) / 130° (V)	Intel® Processor N97	3	USB 3.2 x 2 USB 2.0 x 2	2	SATA-III x1 (6 Gb/s, for 2.5" SATA drive bay) Full Size mPCIe (Support PCIe(x1) / SATA)	DDR5, up to 16GB	HDMI x1	M.2 B-Key 3052 x1 with Nano SIM M.2 E-Key 2230 x1	VESA / Panel Mount	DC 9-30V	-20°C-50°C with air flow	Projective Touch
OMNI-2155HDT-ADN-A1-1010	15.6" TFT LCD	1920 x 1080	450 cd/m <sup>2</sup>	178° (H) / 178° (V)	Intel® Processor N50	3	USB 3.2 x 2 USB 2.0 x 2	2	SATA-III x1 (6 Gb/s, for 2.5" SATA drive bay) Full Size mPCIe (Support PCIe(x1) / SATA)	DDR5, up to 16GB	HDMI x1	M.2 B-Key 3052 x1 with Nano SIM M.2 E-Key 2230 x1	VESA / Panel Mount	DC 9-30V	-20°C-50°C with air flow	Projective Touch
OMNI-2155HDT-ADN-A2-1010	15.6" TFT LCD	1920 x 1080	450 cd/m <sup>2</sup>	178° (H) / 178° (V)	Intel® Processor N97	3	USB 3.2 x 2 USB 2.0 x 2	2	SATA-III x1 (6 Gb/s, for 2.5" SATA drive bay) Full Size mPCIe (Support PCIe(x1) / SATA)	DDR5, up to 16GB	HDMI x1	M.2 B-Key 3052 x1 with Nano SIM M.2 E-Key 2230 x1	VESA / Panel Mount	DC 9-30V	-20°C-50°C with air flow	Projective Touch

## Packing List

- Phoenix Power Connector
- OMNI-2155-ADN
- Screws

## Optional Accessories

- **AP-0T9789LA1000**  
LA-100 LCD Monitor Stand
- **170X000799**  
Power Cord (US Type)
- **170X001024**  
Power Cord (European Type)
- **170X000803**  
Power Cord (Japanese Type)
- **1255900849**  
12V 84W Power Adapter

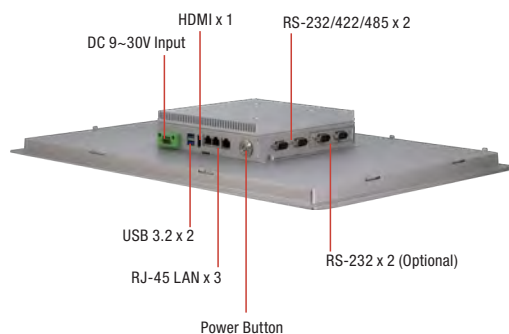
Front View



Top View



Bottom View



## Features

- 21.5" (1920 x 1080) TFT LCD Display
- Intel® Processor N-series Processors
- Projected Capacitive Multi Touch
- Aluminum Design
- IP65 Compliant Front Bezel
- Fanless Operation
- VESA Mount/Built-in Panel Mount Bracket
- 9-30V DC in a wide range of input



## Specifications

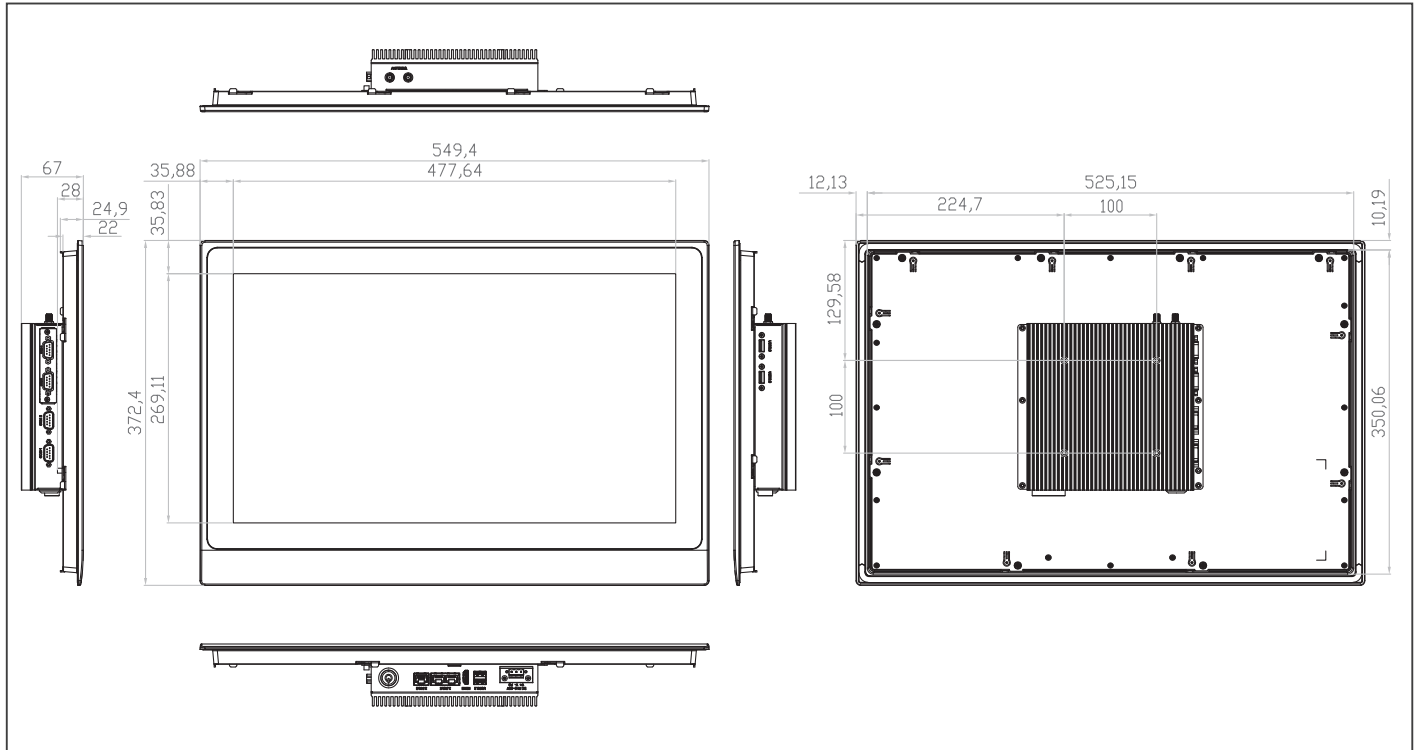
System	
Processor	Intel® Processor N50 Intel® Processor N97
System Memory	DDR5 4800 MHz, up to 16GB SODIMM x 1
LCD/CRT Controller	CPU Integrated
Ethernet	Intel® Ethernet Controller I226, 2.5GbE LAN x 3
I/O Port	USB 3.2 Gen 2 (Type-A) x 2 USB 2.0 x 2 via Cables DB-9 x 2 (RS-232/422/485, set by BIOS) HDMI 1.4b x 1 2.5GbE RJ-45 x 3 9V ~ 30V 3-pin DC Terminal Block Connector Power on/off Switch with LED Light x 1
Storage Disk Drive	SATA-III x1 (6 Gb/s, for 2.5" SATA drive bay) Full Size mPCIe (Support PCIe(x1) / SATA)
Expansion Slot	M.2 B-Key 3052 x1 with Nano SIM M.2 E-Key 2230 x1
OS support	Windows® 10 IoT Enterprise LTSC 2021 Windows® 10/11
Mechanical	
Construction	Aluminum Front Bezel + Metal Chassis
Mounting	Panel Mount/VESA Mount (VESA 100)
Dimension	21.6" x 14.7" x 2.6" (549mm x 372mm x 67mm)
Carton Dimension	26.4" x 7.9" x 20.7" (670mm x 200mm x 525mm)
Gross Weight	15.2 lb. (6.9Kg)
Environmental	
Operating Temperature	-4°F ~ 122°F (-20°C ~ 50°C) with 0.7m/s airflow
Storage Temperature	-4°F~140°F (-20°C~60°C)
Storage Humidity	90% @40°C; non-condensing
Vibration	1Grms /5~500Hz/ operation - with mSATA
Shock	15G peak acceleration (11 m sec. duration) with mSATA
EMC	CE/FCC Class A
Power Supply	
DC input	DC 9~30V
LCD	
Display Type	21.5" TFT-LCD, LED
Max Resolution	1920 (H) x 1080 (V)
Max. Colors	16.7M
Luminance	250 cd/m <sup>2</sup>
Viewing Angle	178° (H) ; 178° (V)
Back Light	LED
Back Light MTBF (Hours)	50,000
Touchscreen	
Type	Projected Capacitive Multi-Touch
Light Transmission	90%





## Dimension

Unit: mm



## Ordering Information

Part Number	Display Type	Max Resolution	Luminance	View Angle	CPU	LAN	USB	RS-232/422/485	Storage	RAM	Display	Internal Expansion	Mounting	Power	Operating Temp.	Touch
OMNI-2215HTT-ADN-A1-1010	21.5" TFT LCD	1920 x 1080	250 cd/m <sup>2</sup>	178° (H) / 178° (V)	Intel® Processor N50	3	USB 3.2 x 2 USB 2.0 x 2	2	SATA-III x1 (6 Gb/s, for 2.5" SATA drive bay) Full Size mPCIe (Support PCIe(x1) / SATA)	DDR5, up to 16GB	HDMI x1	M.2 B-Key 3052 x1 with Nano SIM M.2 E-Key 2230 x1	VESA / Panel Mount	DC 9~30V	-20°C~50°C with air flow	Projective Touch
OMNI-2215HTT-ADN-A2-1010	21.5" TFT LCD	1920 x 1080	250 cd/m <sup>2</sup>	178° (H) / 178° (V)	Intel® Processor N97	3	USB 3.2 x 2 USB 2.0 x 2	2	SATA-III x1 (6 Gb/s, for 2.5" SATA drive bay) Full Size mPCIe (Support PCIe(x1) / SATA)	DDR5, up to 16GB	HDMI x1	M.2 B-Key 3052 x1 with Nano SIM M.2 E-Key 2230 x1	VESA / Panel Mount	DC 9~30V	-20°C~50°C with air flow	Projective Touch

## Packing List

- Phoenix Power Connector
- OMNI-2215-ADN
- Screws

## Optional Accessories

- AP-OT9789LA1000  
LA-100 LCD Monitor Stand
- 170X000799  
Power Cord (US Type)
- 170X001024  
Power Cord (European Type)
- 170X000803  
Power Cord (Japanese Type)
- 1255900849  
12V 84W Power Adapter

# OMNI-3105-ADN

10.4" Modular HMI Panel PC With Intel® Processor N-series Processors

Front View



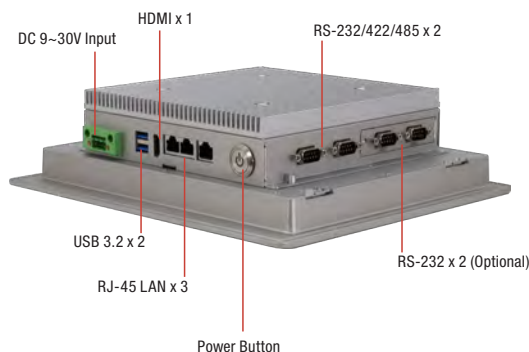
Top View



Antenna Hole x 2

USB 2.0 x 2

Bottom View



## Features

- 10.4" (1024 x 768) TFT LCD Display
- Intel® Processor N-series Processors
- Projected Capacitive Multi Touch
- Aluminum Design
- IP65 Compliant Front Bezel
- Fanless Operation
- VESA Mount/Built-in Panel Mount Bracket
- 9-30V DC in a wide range of input



## Specifications

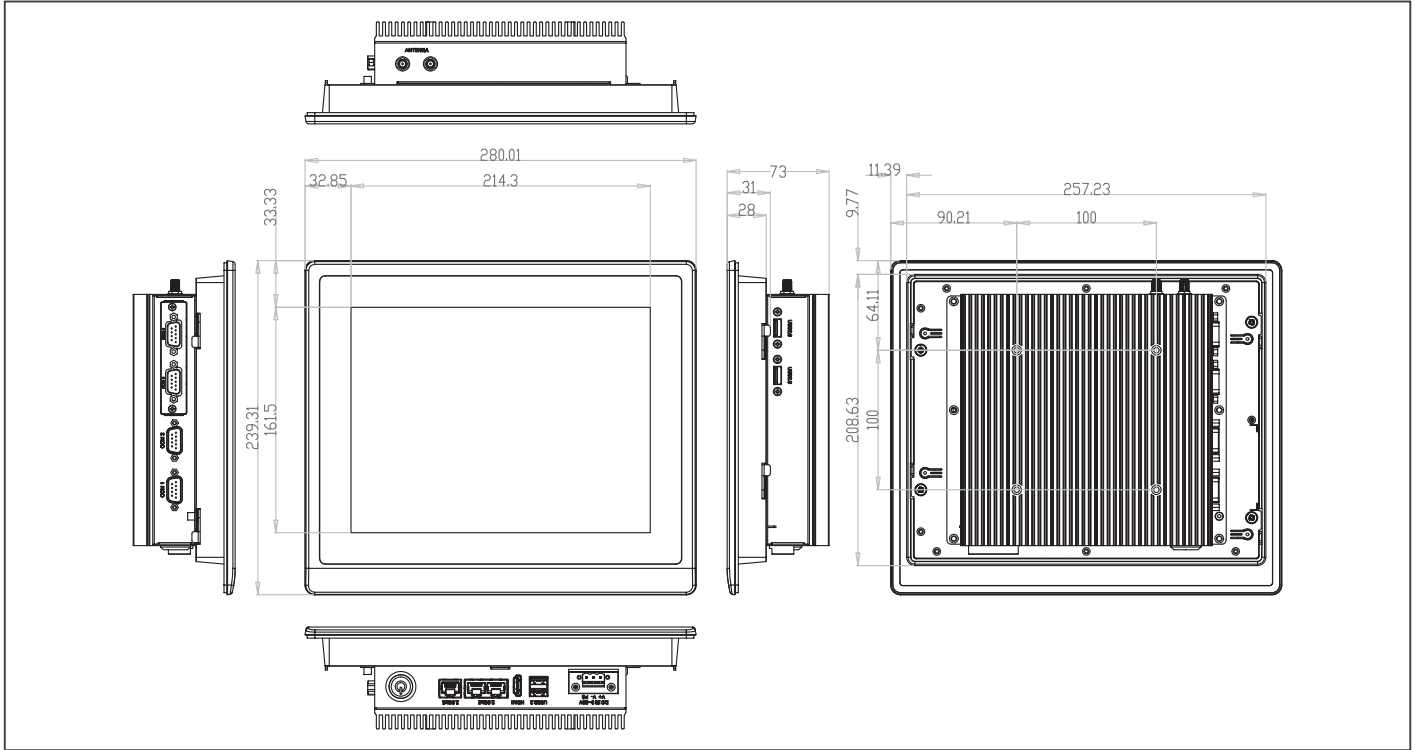
System	
Processor	Intel® Processor N50 Intel® Processor N97
System Memory	DDR5 4800 MHz, up to 16GB SODIMM x 1
LCD/CRT Controller	CPU Integrated
Ethernet	Intel® Ethernet Controller I226, 2.5GbE LAN x 3
I/O Port	USB 3.2 Gen 2 (Type-A) x 2 USB 2.0 x 2 DB-9 x 2 (RS-232/422/485, set by BIOS) HDMI 1.4b x 1 2.5GbE RJ-45 x 3 9V ~ 30V 3-pin DC Terminal Block Connector Power on/off Switch with LED Light x 1
Storage Disk Drive	2.5" SATA Drive Bay x 1 (SATA 6Gb/s) Full-size mPCIe (PCIe [x1]/SATA)
Expansion Slot	M.2 3052 B-Key x 1 with Nano SIM M.2 2230 E-Key x 1
OS support	Windows® 10 IoT Enterprise LTSC 2021 Windows® 10/11
Mechanical	
Construction	Aluminum Front Bezel + Metal Chassis
Mounting	Panel Mount/VESA Mount (VESA 100)
Dimension	11" x 9.4" x 2.9" (280.01 mm x 239mm x 72.8mm)
Carton Dimension	16.3" x 7.1" x 15.4" (415mm x 180mm x 392mm)
Gross Weight	6.4 lb. (2.9Kg)
Environmental	
Operating Temperature	-4°F ~ 122°F (-20°C ~ 50°C) with 0.7m/s airflow
Storage Temperature	-4°F~140°F (-20°C~60°C)
Storage Humidity	90% @40°C; non-condensing
Vibration	1Grms /5~500Hz/ operation - with mSATA
Shock	15G peak acceleration (11 m sec. duration) with mSATA
EMC	CE/FCC Class A
Power Supply	
DC input	DC 9~30V
LCD	
Display Type	10.4" TFT LCD, LED
Max Resolution	1024 (H) x 768 (V)
Max. Colors	16.7M
Luminance	500 cd/m²
Viewing Angle	176° (H) x 176° (V)
Back Light	LED
Back Light MTBF (Hours)	50,000
Touchscreen	
Type	Projected Capacitive Multi-Touch
Light Transmission	90%





## Dimension

Unit: mm



## Ordering Information

Part Number	Display Type	Max Resolution	Luminance	View Angle	CPU	LAN	USB	RS-232/422/485	Storage	RAM	Display	Internal Expansion	Mounting	Power	Operating Temp.	Touch
OMNI-3105HTT-ADN-A1-1010	10.4" TFT LCD	1024 x 768	500 cd/m <sup>2</sup>	176° (H) / 176° (V)	Intel® Processor N50	3	USB 3.2 x 2 USB 2.0 x 2	2	SATA-III x1 (6 Gb/s, for 2.5" SATA drive bay) Full Size mPCIe (Support PCIe(x1) / SATA)	DDR5, up to 16GB	HDMI x1	M.2 B-Key 3052 x1 with Nano SIM M.2 E-Key 2230 x1	VESA / Panel Mount	DC 9-30V	-20°C-50°C with air flow	Projective Touch
OMNI-3105HTT-ADN-A2-1010	10.4" TFT LCD	1024 x 768	500 cd/m <sup>2</sup>	176° (H) / 176° (V)	Intel® Processor N97	3	USB 3.2 x 2 USB 2.0 x 2	2	SATA-III x1 (6 Gb/s, for 2.5" SATA drive bay) Full Size mPCIe (Support PCIe(x1) / SATA)	DDR5, up to 16GB	HDMI x1	M.2 B-Key 3052 x1 with Nano SIM M.2 E-Key 2230 x1	VESA / Panel Mount	DC 9-30V	-20°C-50°C with air flow	Projective Touch

## Packing List

- Phoenix Power Connector
- OMNI-3105-ADN
- Screws

## Optional Accessories

- AP-OT9789LA1000  
LA-100 LCD Monitor Stand
- 170X000799  
Power Cord (US Type)
- 170X001024  
Power Cord (European Type)
- 170X000803  
Power Cord (Japanese Type)
- 1255900849  
12V 84W Power Adapter

# OMNI-3125-ADN

12.1" Modular HMI Panel PC With Intel® Processor N-series Processors

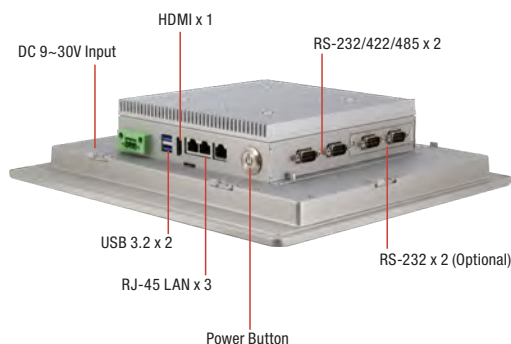
Front View



Top View



Bottom View



## Features

- 12.1" (1024 x 768) TFT LCD Display
- Intel® Processor N-series Processors
- Projected Capacitive Multi Touch
- Aluminum Design
- IP65 Compliant Front Bezel
- Fanless Operation
- VESA Mount/Built-in Panel Mount Bracket
- 9-30V DC in a wide range of input



## Specifications

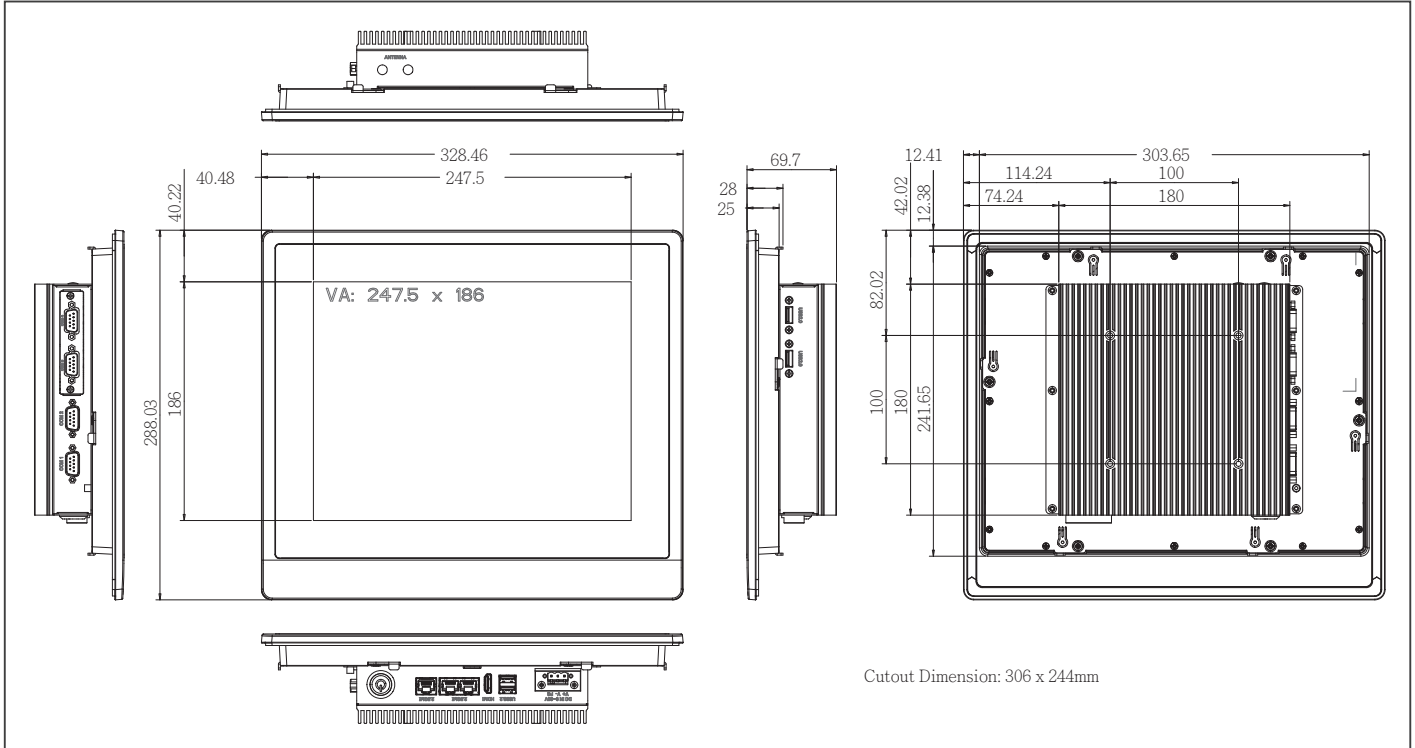
System	
Processor	Intel® Processor N50 Intel® Processor N97
System Memory	DDR5 4800 MHz, up to 16GB SODIMM x 1
LCD/CRT Controller	CPU Integrated
Ethernet	Intel® Ethernet Controller I226, GbE x 3
I/O Port	USB 3.2 Gen 2 (Type-A) x 3 USB 2.0 x 2 DB-9 x 2 (RS-232/422/485, set by BIOS) HDMI 1.4b x 1 2.5GbE RJ-45 x 3 9V ~ 30V 3-pin DC Terminal Block Connector Power on/off Switch with LED Light x 1
Storage Disk Drive	2.5" SATA Drive Bay x 1 (SATA 6Gb/s) Full-size mPCIe (PCIe [x1]/SATA)
Expansion Slot	M.2 3052 B-Key x 1 with Nano SIM M.2 2230 E-Key x 1
OS support	Windows® 10 IoT Enterprise LTSC 2021 Windows® 10/11
Mechanical	
Construction	Aluminum Front Bezel + Metal Chassis
Mounting	Panel Mount/VESA Mount (VESA 100)
Dimension	12.9" x 11.3" x 2.7" (328.5mm x 288mm x 69.7mm)
Carton Dimension	20.9" x 17.5" x 7.9" (530mm x 445mm x 200mm)
Gross Weight	10.7 lb. (4.84Kg)
Environmental	
Operating Temperature	-4°F~122°F (-20°C~50°C) with airflow
Storage Temperature	-4°F~140°F (-20°C~60°C)
Storage Humidity	90% @40°C; non-condensing
Vibration	1Grms /5~500Hz/ operation - with mSATA
Shock	15 G peak acceleration (11 m sec. duration) with mSATA
EMC	CE/FCC Class A Compatible
Power Supply	
DC input	DC 9~30V
LCD	
Display Type	12.1" TFT LCD, LED
Max Resolution	1024 (H) x 768 (V)
Max. Colors	16.2M
Luminance	500 cd/m²
Viewing Angle	160° (H) ; 160° (V)
Back Light	LED
Back Light MTBF (Hours)	50,000
Touchscreen	
Type	P-CAP/ 5-wire resistive
Light Transmission	P-CAP (90% ± 3%), 5-wire Resistive (80% ± 3%)





## Dimension

Unit: mm



## Ordering Information

Part Number	Display Type	Max Resolution	Luminance	View Angle	CPU	LAN	USB	RS-232/422/485	Storage	RAM	Display	Internal Expansion	Mounting	Power	Operating Temp.	Touch
OMNI-3125HTT-ADN-A1-1010	12.1" TFT LCD	1024 x 768	500 cd/m <sup>2</sup>	160° (H) / 160° (V)	Intel® Processor N50	3	USB 3.2 x 2 USB 2.0 x 2	2	SATA-III x1 (6 Gb/s, for 2.5" SATA drive bay) Full Size mPCIe (Support PCIe(x1) / SATA)	DDR5, up to 16GB	HDMI x1	M.2 B-Key 3052 x1 with Nano SIM M.2 E-Key 2230 x1	VESA / Panel Mount	DC 9~30V	-20°C~50°C with air flow	Projective Touch
OMNI-3125HTT-ADN-A2-1010	12.1" TFT LCD	1024 x 768	500 cd/m <sup>2</sup>	160° (H) / 160° (V)	Intel® Processor N97	3	USB 3.2 x 2 USB 2.0 x 2	2	SATA-III x1 (6 Gb/s, for 2.5" SATA drive bay) Full Size mPCIe (Support PCIe(x1) / SATA)	DDR5, up to 16GB	HDMI x1	M.2 B-Key 3052 x1 with Nano SIM M.2 E-Key 2230 x1	VESA / Panel Mount	DC 9~30V	-20°C~50°C with air flow	Projective Touch
OMNI-3125HTT-ADN-A3-1010	12.1" TFT LCD	1024 x 768	500 cd/m <sup>2</sup>	160° (H) / 160° (V)	Intel® Processor N50	3	USB 3.2 x 2 USB 2.0 x 2	2	SATA-III x1 (6 Gb/s, for 2.5" SATA drive bay) Full Size mPCIe (Support PCIe(x1) / SATA)	DDR5, up to 16GB	HDMI x1	M.2 B-Key 3052 x1 with Nano SIM M.2 E-Key 2230 x1	VESA / Panel Mount	DC 9~30V	-20°C~50°C with air flow	5-wire Resistive Touch
OMNI-3125HTT-ADN-A4-1010	12.1" TFT LCD	1024 x 768	500 cd/m <sup>2</sup>	160° (H) / 160° (V)	Intel® Processor N97	3	USB 3.2 x 2 USB 2.0 x 2	2	SATA-III x1 (6 Gb/s, for 2.5" SATA drive bay) Full Size mPCIe (Support PCIe(x1) / SATA)	DDR5, up to 16GB	HDMI x1	M.2 B-Key 3052 x1 with Nano SIM M.2 E-Key 2230 x1	VESA / Panel Mount	DC 9~30V	-20°C~50°C with air flow	5-wire Resistive Touch

## Packing List

- Phoenix Power Connector
- OMNI-3125-ADN
- Screws

## Optional Accessories

- AP-OT9789LA1000  
LA-100 LCD Monitor Stand
- 170X000799  
Power Cord (US Type)
- 170X001024  
Power Cord (European Type)
- 170X000803  
Power Cord (Japanese Type)
- 1255900849  
12V 84W Power Adapter

# OMNI-3155-ADN

15" Modular HMI Panel PC With Intel® Processor N-series Processors

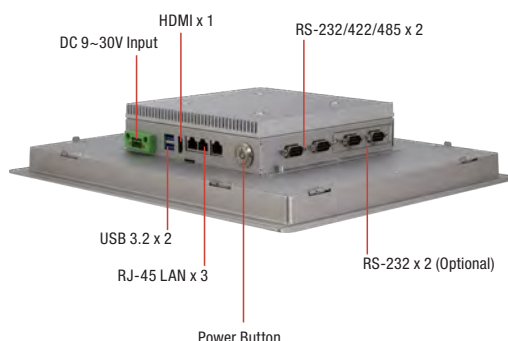
Front View



Top View



Bottom View



## Features

- 15" (1024 x 768) TFT LCD Display
- Intel® Processor N-series Processors
- Projected Capacitive Multi Touch
- Aluminum Design
- IP65 Compliant Front Bezel
- Fanless Operation
- VESA Mount/Built-in Panel Mount Bracket
- 9-30V DC in a wide range of input



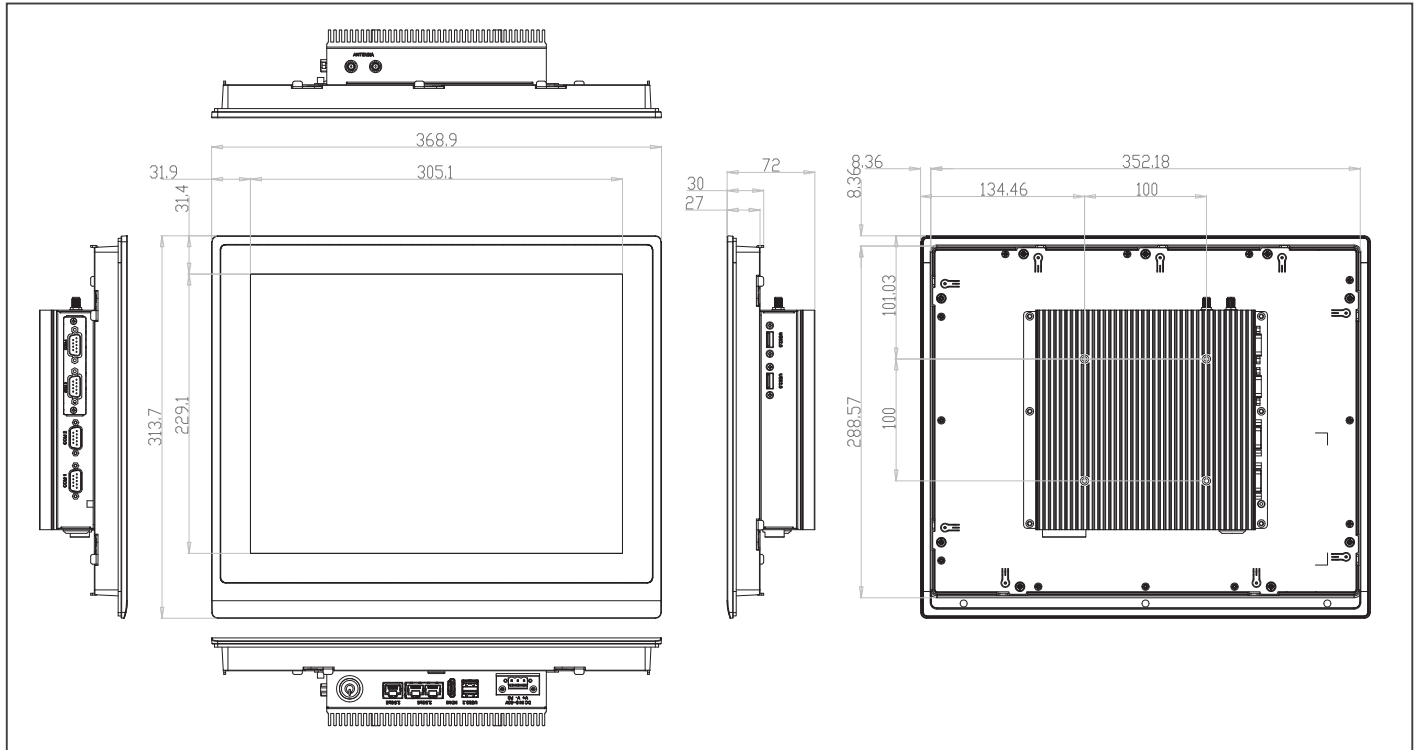
## Specifications

System	
Processor	Intel® Processor N50 Intel® Processor N97
System Memory	DDR5 4800 MHz, up to 16GB SODIMM x 1
LCD/CRT Controller	CPU Integrated
Ethernet	Intel® Ethernet Controller I226, 2.5GbE LAN x 3
I/O Port	USB 3.2 Gen 2 (Type-A) x 2 USB 2.0 x 2 via Cables DB-9 x 2 (RS-232/422/485, set by BIOS) HDMI 1.4b x 1 2.5GbE RJ-45 x 3 9V ~ 30V 3-pin DC Terminal Block Connector Power on/off Switch with LED Light x 1
Storage Disk Drive	2.5" SATA Drive Bay x 1 (SATA 6Gb/s) Full-size mPCIe (PCIe [x1]/SATA)
Expansion Slot	M.2 3052 B-Key x 1 with Nano SIM M.2 2230 E-Key x 1
OS support	Windows® 10 IoT Enterprise LTSC 2021 Windows® 10/11
Mechanical	
Construction	Aluminum Front Bezel + Metal Chassis
Mounting	Panel Mount/VESA Mount (VESA 100)
Dimension	14.5" x 12.4" x 2.8" (368.9mm x 313.7mm x 72mm)
Carton Dimension	20.1" x 9.8" 18.1" (510mm x 250mm x 460mm)
Gross Weight	8.9lb (4.05Kg)
Environmental	
Operating Temperature	-4°F ~ 122°F (-20°C ~ 50°C) with 0.7m/s airflow
Storage Temperature	-4°F~140°F (-20°C~60°C)
Storage Humidity	90% @40°C; non-condensing
Vibration	1Grms /5~500Hz/ operation - with mSATA
Shock	15G peak acceleration (11 m sec. duration) with mSATA
EMC	CE/FCC Class A
Power Supply	
DC input	DC 9~30V
LCD	
Display Type	15" TFT-LCD, LED
Max Resolution	1024 (H) x 768 (V)
Max. Colors	16.2M (8 bit/color)
Luminance	300 cd/m²
Viewing Angle	176° (H) x 176° (V)
Back Light	LED
Back Light MTBF (Hours)	70,000
Touchscreen	
Type	Projected Capacitive Multi-Touch
Light Transmission	90%



## Dimension

Unit: mm



## Ordering Information

Part Number	Display Type	Max Resolution	Luminance	View Angle	CPU	LAN	USB	RS-232/422/485	Storage	RAM	Display	Internal Expansion	Mounting	Power	Operating Temp.	Touch
OMNI-3155HTT-ADN-A1-1010	15" TFT LCD	1024 x 768	300 cd/m <sup>2</sup>	176°(H)/176°(V)	Intel® Processor N50	3	USB 3.2 x 2 USB 2.0 x 2	2	SATA-III x1 (6 Gb/s, for 2.5" SATA drive bay) Full Size mPCIe (Support PCIe(x1) / SATA)	DDR5, up to 16GB	HDMI x1	M.2 B-Key 3052 x1 with Nano SIM M.2 E-Key 2230 x1	VESA / Panel Mount	DC 9-30V	-20°C-50°C with air flow	Projective Touch
OMNI-3155HTT-ADN-A1-1010	15" TFT LCD	1024 x 768	300 cd/m <sup>2</sup>	176°(H)/176°(V)	Intel® Processor N97	3	USB 3.2 x 2 USB 2.0 x 2	2	SATA-III x1 (6 Gb/s, for 2.5" SATA drive bay) Full Size mPCIe (Support PCIe(x1) / SATA)	DDR5, up to 16GB	HDMI x1	M.2 B-Key 3052 x1 with Nano SIM M.2 E-Key 2230 x1	VESA / Panel Mount	DC 9-30V	-20°C-50°C with air flow	Projective Touch

## Packing List

- Phoenix Power Connector
- OMNI-3155-ADN
- Screws

## Optional Accessories

- AP-OT9789LA1000  
LA-100 LCD Monitor Stand
- 170X000799  
Power Cord (US Type)
- 170X001024  
Power Cord (European Type)
- 170X000803  
Power Cord (Japanese Type)
- 1255900849  
12V 84W Power Adapter

# 07



ES France - Mobilité & Systèmes Embarqués  
127 rue de Buzenval BP 26 - 92380 Garches



Tél. 01 47 95 99 80



e-mail : [mse@es-france.com](mailto:mse@es-france.com)  
Site Web : [www.es-france.com](http://www.es-france.com)

# 07

## OMNI Series: Modular Display Solutions



ES France - Mobilité & Systèmes Embarqués  
127 rue de Buzenval BP 26 - 92380 Garches



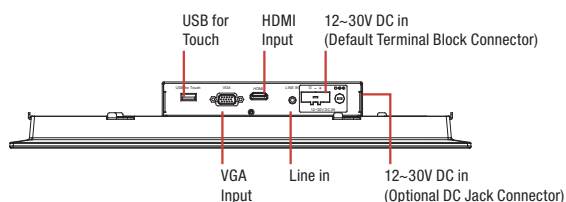
Tél. 01 47 95 99 80



e-mail : [mse@es-france.com](mailto:mse@es-france.com)  
Site Web : [www.es-france.com](http://www.es-france.com)

# OMNI-215M

15.6" Touch Display Monitor, DC 12~30V



## Features

- 15.6" WXGA (1366 x 768) TFT LCD Display
- Provide Projective Capacitive Touch or Resistive Touch Screen
- IP65 Aluminum Front Bezel
- DC 12~30V with Over Voltage/Current, Under Voltage Protection
- Optional Built-in Speakers



## Specifications

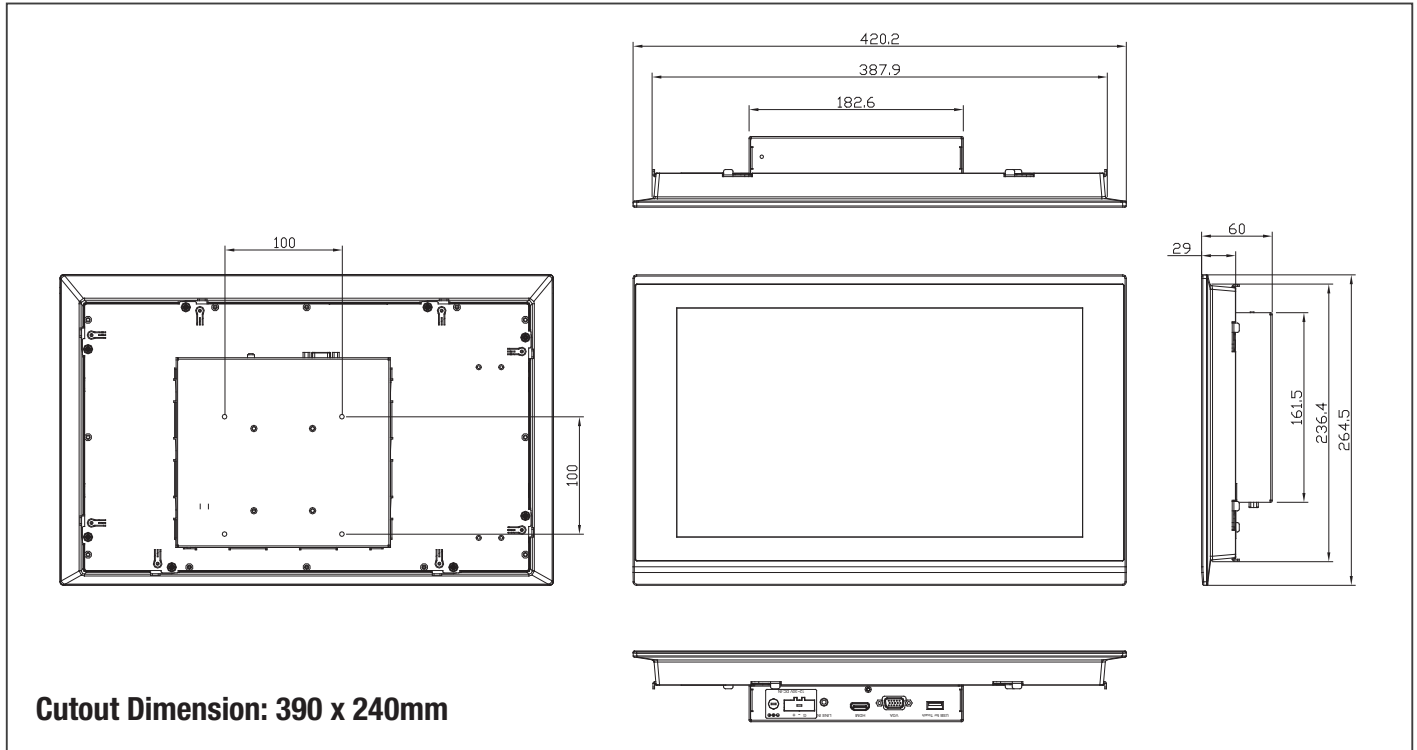
System	
Input Signal	VGA/HDMI
On Screen Display Control	5 keys OSD keypad (Up, Down, Menu, Auto, Power)
I/O Port	DB-15 VGA x 1 HDMI x 1 USB x 1 (For Enable T/S Function) Line in x 1 (For optional internal Speaker) Power Input x 1(Terminal Block 3pin)
Os Support	Windows® 7 32/64-bit, Windows® 8 32/64-bit, Windows® 10 64-bit, Linux Ubuntu 16.04
Mechanical	
Construction	IP65 aluminum front bezel & SGCC chassis
Mounting	Panel Mount / VESA 100x100 / Stand
Dimension	16.5" x 10.4" x 2.4" (420.2mm x 264.5mm x 60.2mm)
Carton Dimension	20.9" x 17.5" x 7.9" (530mm x 445mm x 200mm)
Gross Weight	14.1 lbs (6.4 kg)
Net Weight	11.2 lbs (5.1 kg)
Environmental	
Operating Temperature	14°F ~ 131°F (-10°C ~ 55°C) With 0.5m/s Airflow
Storage Temperature	-4°F ~ 140°F (-20°C ~ 60°C)
Storage Humidity	10%~90% @104°F (40°C); non-condensing
Vibration	1 Grms / 5~500Hz/random Operation
Shock	—
EMC	CE/FCC, Class A
Power Supply	
Dc Input	DC 12~30V Power Input with 3 Pin Terminal Block
LCD	
Display Type	15.6" TFT-LCD
Max. Resolution	1366 x 768
Max. Colors	16.7M
Luminance	400 cd/m²
Viewing Angle	170° (H), 160° (V)
Back Light	LED
Back Light MTBF (Hours)	50,000
Touchscreen	
Type	Projective Capacitive Multi Touch or 5 Wire Resistive Touch Screen (By Model)
Light Transmission	P-CAP (90% ± 3%), 5-wire Resistive (80% ± 3%)
Life Time	—





## Dimension

Unit: mm



## Ordering Information

Part Number	Display Type	Max. Resolution	Luminance	View Angle	Backlight MTBF (Hours)	Display	Mounting	Power	Temp.	Touch	Others
OMNI-215MHTT-A1-1011	15.6" TFT-LCD	1366 x 768	400 cd/m <sup>2</sup>	160(H), 140(V)	50,000	VGA x 1 HDMI x 1	Panel mount VESA 100	DC 12V~30V	14°F ~ 131°F (-10°C ~ 55°C) (with 0.5 m/s airflow)	Flat 5 Wire Resistive	—
OMNI-215MHTT-A2-1012	15.6" TFT-LCD	1366 x 768	400 cd/m <sup>2</sup>	160(H), 140(V)	50,000	VGA x 1 HDMI x 1	Panel mount VESA 100	DC 12V~30V	14°F ~ 131°F (-10°C ~ 55°C) (with 0.5 m/s airflow)	Projected Capacitive	—

## Packing List

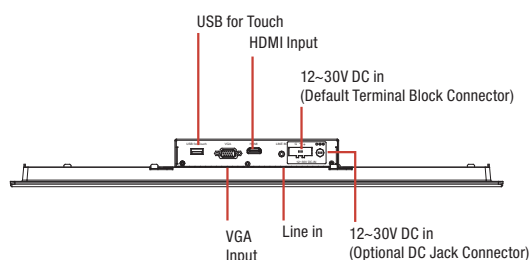
- VGA Cable x 1
- USB Cable for Touch x 1
- Phoenix Power Connector
- OMNI-215M

## Optional Accessories

- **125530040F**  
12V 40W FSP040-DHAN3
- **170X000799**  
Power Cord (US Type)
- **170X001024**  
Power Cord (European Type)
- **170X000803**  
Power Cord (Japanese Type)
- **AP-OT9789LA1000**  
LCD Monitor Stand 230mm, LA-100

# OMNI-221M

21.5" Touch Display Monitor, DC 12~30V



## Features

- 21.5" FHD (1920 x 1080) TFT LCD Display
- Provide Projective Capacitive Touch or Resistive Touch Screen
- IP65 Aluminum Front Bezel
- DC 12~30V with Over Voltage/Current, Under Voltage Protection
- Optional Built-in Speakers



## Specifications

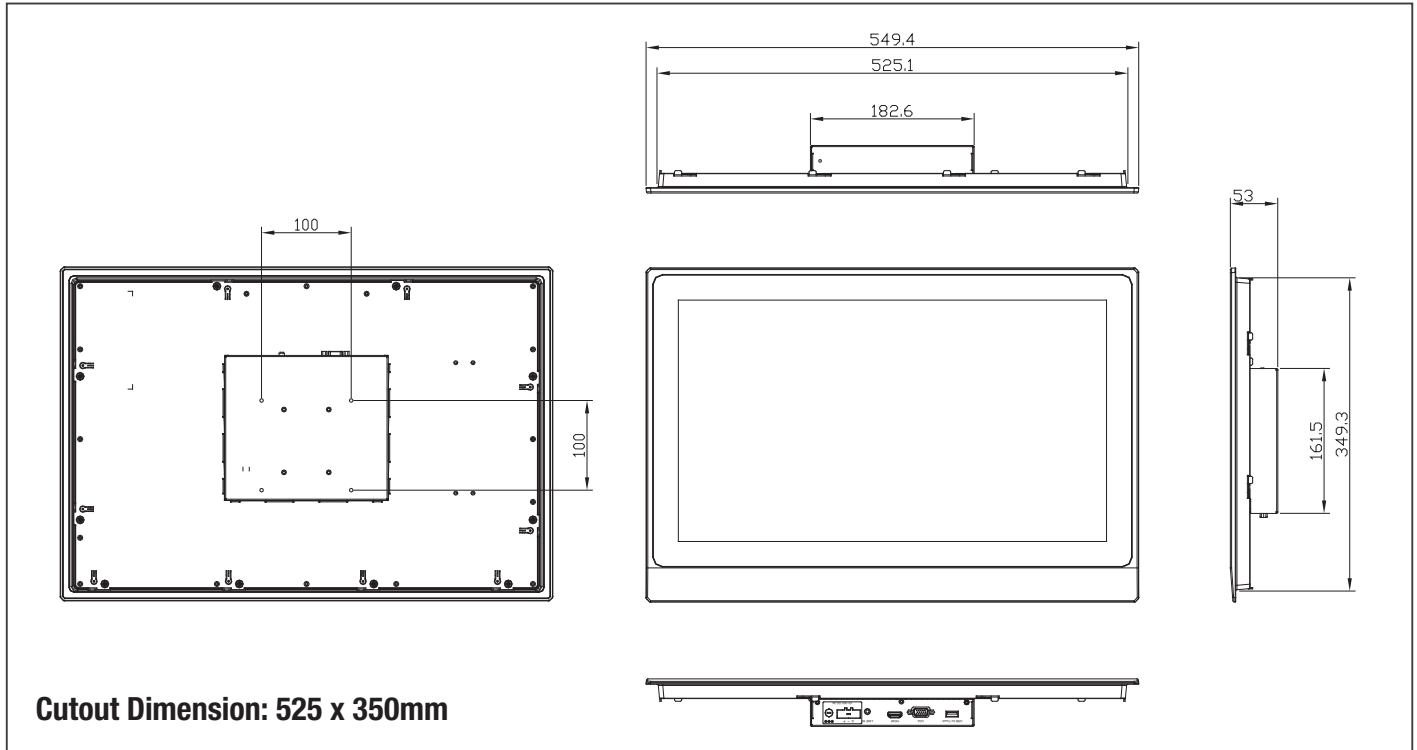
System	
Input Signal	VGA/HDMI
On Screen Display Control	5 keys OSD keypad (Up, Down, Menu, Auto, Power)
I/O Port	DB-15 VGA x 1 HDMI x 1 USB x 1 (For Enable T/S Function) Line in x 1 (For optional internal Speaker) Power Input x 1(Terminal Block 3pin)
Os Support	Windows® 7 32/64-bit, Windows® 8 32/64-bit, Windows® 10 64-bit, Linux Ubuntu 16.04
Mechanical	
Construction	IP65 aluminum front bezel & SGCC chassis
Mounting	Panel Mount / VESA 100 x 100 / Stand
Dimension	21.6" x 14.6" x 2.1" (549mm x 372mm x 53mm)
Carton Dimension	26.4" x 20.7" x 7.9" (670mm x 525mm x 200mm)
Gross Weight	18.5 lbs (8.4 kg)
Net Weight	15.4 lbs (7.0 kg)
Environmental	
Operating Temperature	14°F ~ 131°F (-10°C ~ 55°C) With 0.5m/s Airflow
Storage Temperature	-4°F ~ 140°F (-20°C ~ 60°C)
Storage Humidity	10%~90% @104°F (40°C); non-condensing
Vibration	1 Grms / 5~500Hz/random Operation
Shock	—
EMC	CE/FCC, Class A
Power Supply	
Dc Input	DC 12~30V Power Input with 3 Pin Terminal Block
LCD	
Display Type	21.5" TFT-LCD
Max. Resolution	1920 x 1080
Max. Colors	16.7M
Luminance	250 cd/m²
Viewing Angle	178° (H), 178° (V)
Back Light	LED
Back Light MTBF (Hours)	50,000
Touchscreen	
Type	Projective Capacitive Multi Touch or 5 Wire Resistive Touch Screen (By Model)
Light Transmission	P-CAP (90% ± 3%), 5-wire Resistive (80% ± 3%)
Life Time	—





## Dimension

Unit: mm



## Ordering Information

Part Number	Display Type	Max. Resolution	Luminance	View Angle	Backlight MTBF (Hours)	Display	Mounting	Power	Temp.	Touch	Others
OMNI-221MHTT-A1-1011	21.5" TFT-LCD	1920 x 1080	250 cd/m <sup>2</sup>	178(H), 178(V)	50,000	VGA x 1 HDMI x 1	Panel mount VESA 100	DC 12V~30V	14°F ~ 131°F (-10°C ~ 55°C) (with 0.5 m/s airflow)	Flat 5 Wire Resistive	—
OMNI-221MHTT-A2-1011	21.5" TFT-LCD	1920 x 1080	250 cd/m <sup>2</sup>	178(H), 178(V)	50,000	VGA x 1 HDMI x 1	Panel mount VESA 100	DC 12V~30V	14°F ~ 131°F (-10°C ~ 55°C) (with 0.5 m/s airflow)	Projected Capacitive	—

## Packing List

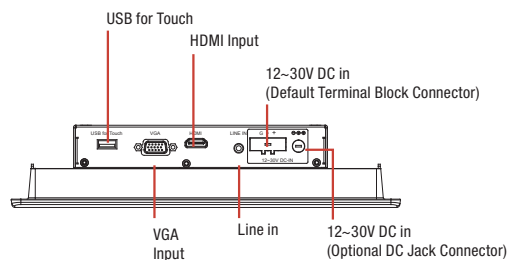
- VGA Cable x 1
- USB Cable for Touch x 1
- Phoenix Power Connector
- OMNI-221M

## Optional Accessories

- **125530040F**  
12V 40W FSP040-DHAN3
- **170X000799**  
Power Cord (US Type)
- **170X001024**  
Power Cord (European Type)
- **170X000803**  
Power Cord (Japanese Type)
- **AP-OT9789LA1000**  
LCD Monitor Stand 230mm, LA-100

# OMNI-310M

10.4" Touch Display Monitor, DC 12~30V



## Features

- 10.4" SVGA (800 x 600) TFT LCD Display
- Provide Projective Capacitive Touch or Resistive Touch Screen
- IP65 Aluminum Front Bezel
- DC 12~30V with Over Voltage/Current, Under Voltage Protection
- Optional Built-in Speakers



## Specifications

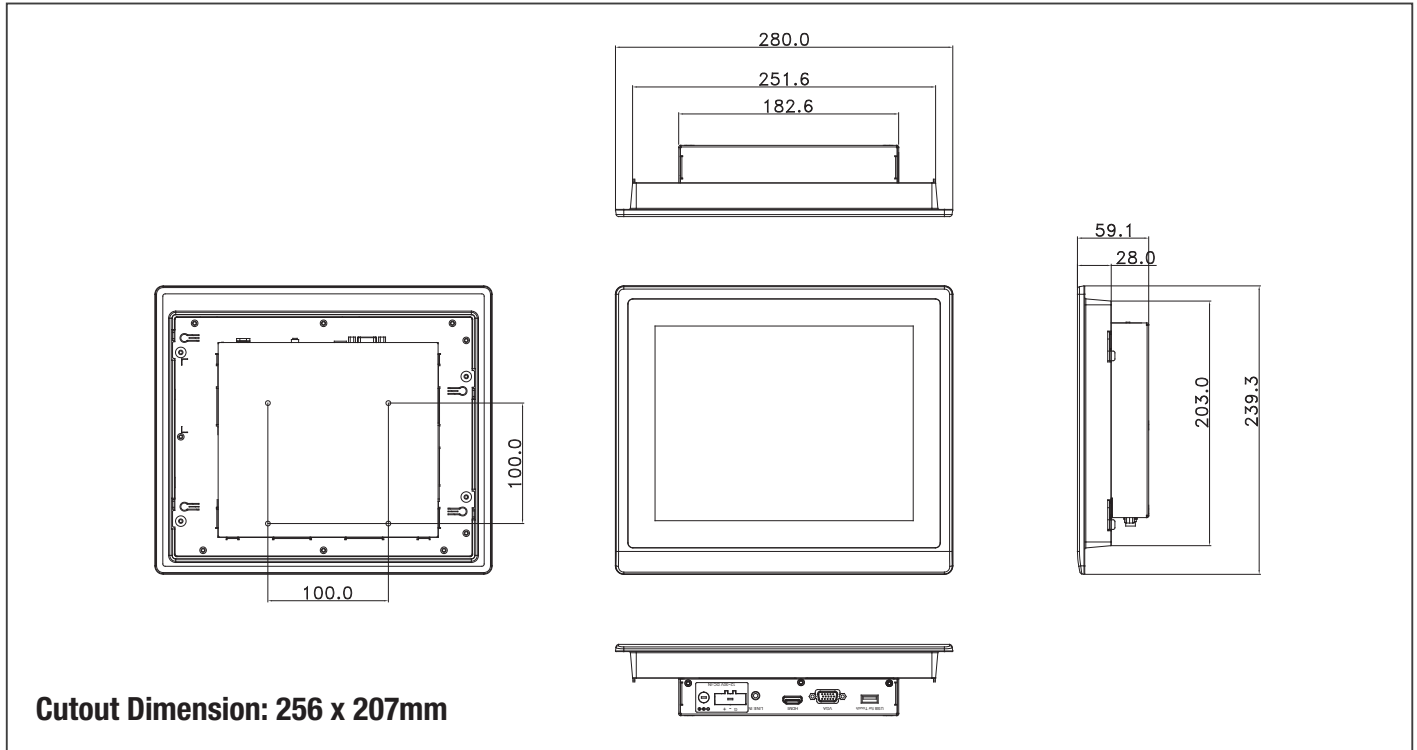
System	
Input Signal	VGA / HDMI
On Screen Display Control	5 keys OSD keypad (Up, Down, Menu, Auto, Power)
I/O Port	DB-15 VGA x 1 HDMI x 1 USB x 1 (For Enable T/S Function) Line in x 1 (For optional internal Speaker) Power Input x 1(Terminal Block 3pin)
Os Support	Windows® 7 32/64-bit, Windows® 8 32/64-bit, Windows® 10 64-bit, Linux Ubuntu 16.04
Mechanical	
Construction	IP65 aluminum front bezel & SGCC chassis
Mounting	Panel Mount / VESA 100 x 100 / Stand
Dimension	11.0" x 9.4" x 2.33" (280mm x 239.3mm x 59.1mm)
Carton Dimension	16.3" x 15.4" x 7.04" (415mm x 391mm x 179mm)
Gross Weight	7.9 lbs (3.6 kg)
Net Weight	1.1 lbs (2.4 kg)
Environmental	
Operating Temperature	14°F ~ 131°F (-10°C ~ 55°C) With 0.5m/s Airflow
Storage Temperature	-4°F ~ 140°F (-20°C ~ 60°C)
Storage Humidity	10%~90% @104°F (40°C); non-condensing
Vibration	1 Grms / 5~500Hz/random Operation
Shock	—
EMC	CE/FCC, Class A
Power Supply	
Dc Input	DC 12~30V Power Input with 3 Pin Terminal Block
LCD	
Display Type	10.4" TFT-LCD
Max. Resolution	800 x 600
Max. Colors	16.2M
Luminance	230 cd/m²
Viewing Angle	160° (H), 130° (V)
Back Light	LED
Back Light MTBF (Hours)	30,000
Touchscreen	
Type	Projective Capacitive Multi Touch or 5 Wire Resistive Touch Screen (By Model)
Light Transmission	P-CAP (90% ± 3%), 5-wire Resistive (80% ± 3%)
Life Time	—





## Dimension

Unit: mm



## Ordering Information

Part Number	Display Type	Max. Resolution	Luminance	View Angle	Backlight MTBF (Hours)	Display	Mounting	Power	Temp.	Touch	Others
OMNI-310MHTT-A1-1010	10.4" TFT-LCD	800 x 600	230 cd/m <sup>2</sup>	120(H), 100(V)	50,000	VGA x 1 HDMI x 1	Panel mount VESA 100	DC 12V~30V	14°F ~ 131°F (-10°C ~ 55°C) (with 0.5 m/s airflow)	Flat 5 Wire Resistive	—
OMNI-310MHTT-A2-1010	10.4" TFT-LCD	800 x 600	230 cd/m <sup>2</sup>	120(H), 100(V)	50,000	VGA x 1 HDMI x 1	Panel mount VESA 100	DC 12V~30V	14°F ~ 131°F (-10°C ~ 55°C) (with 0.5 m/s airflow)	Projected Capacitive	—

## Packing List

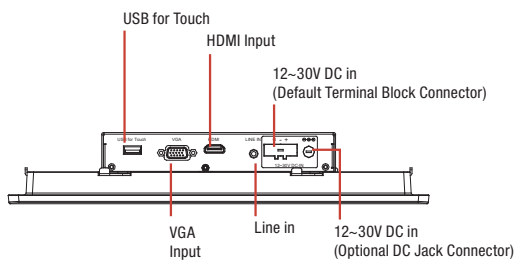
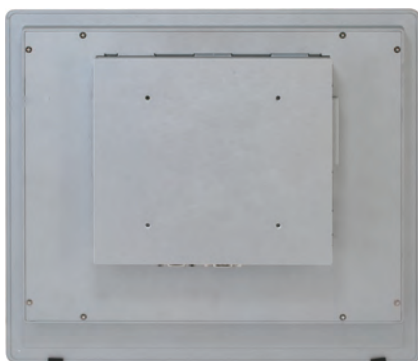
- VGA Cable x 1
- USB Cable for Touch x 1
- Phoenix Power Connector
- OMNI-310M

## Optional Accessories

- **125530040F**  
12V 40W FSP040-DHAN3
- **170X000799**  
Power Cord (US Type)
- **170X001024**  
Power Cord (European Type)
- **170X000803**  
Power Cord (Japanese Type)
- **AP-OT9789LA1000**  
LCD Monitor Stand 230mm, LA-100

# OMNI-312M

12.1" Touch Display Monitor, DC 12~30V



## Features

- 12.1" XGA (1024 x 768) TFT LCD Display
- Provide Projective Capacitive Touch or Resistive Touch Screen
- IP65 Aluminum Front Bezel
- DC 12~30V with Over Voltage/Current, Under Voltage Protection
- Optional Built-in Speakers



## Specifications

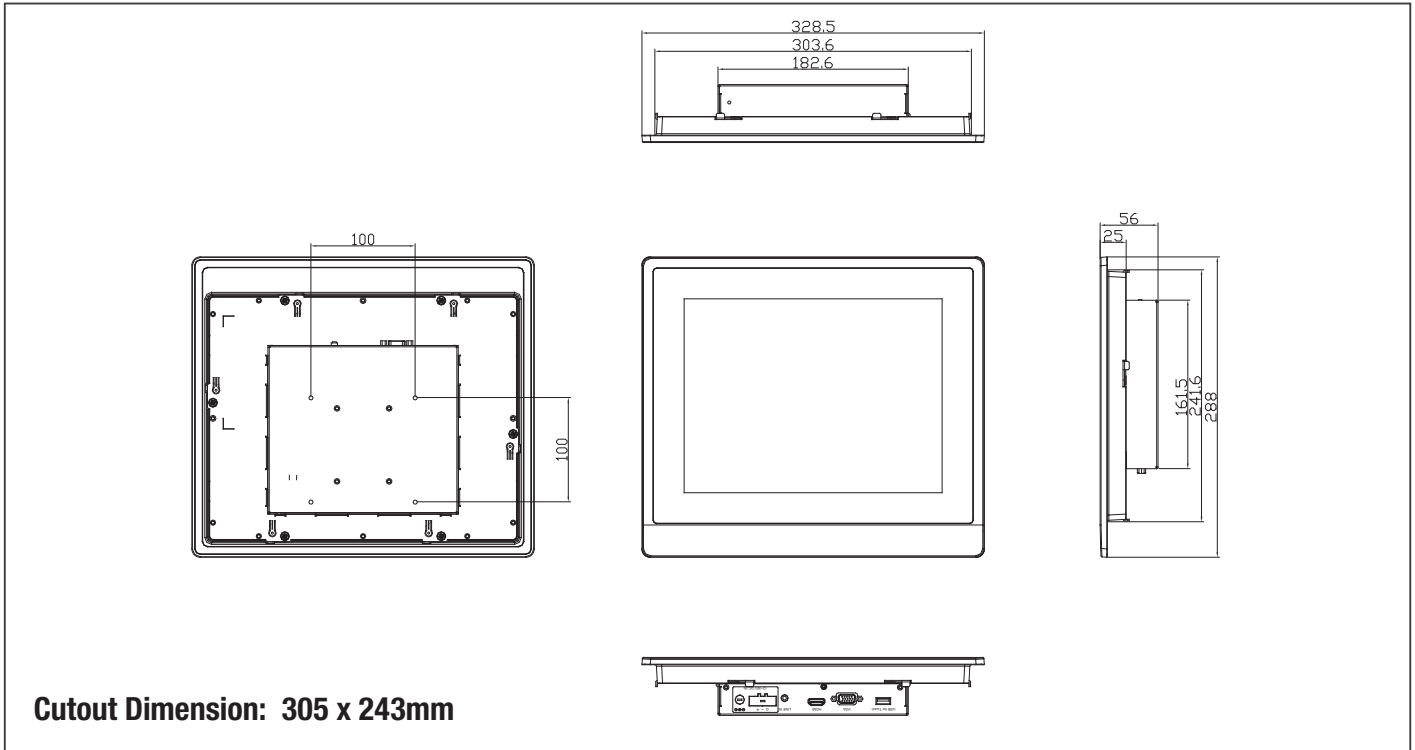
System	
Input Signal	VGA / HDMI
On Screen Display Control	5 keys OSD keypad (Up, Down, Menu, Auto, Power)
I/O Port	DB-15 VGA x 1 HDMI x 1 USB x 1 (For Enable T/S Function) Line in x 1 (For optional internal Speaker) Power Input x 1(Terminal Block 3pin)
Os Support	Windows® 7 32/64-bit, Windows® 8 32/64-bit, Windows® 10 64-bit, Linux Ubuntu 16.04
Mechanical	
Construction	IP65 aluminum front bezel & SGCC chassis
Mounting	Panel Mount / VESA 100 x 100 / Stand
Dimension	12.9" x 11.3" x 2.2" (328.5mm x 288.1mm x 55.9mm)
Carton Dimension	20.9" x 17.5" x 7.9" (530mm x 445mm x 200mm)
Gross Weight	10.4 lbs (4.7 kg)
Net Weight	7.7 lbs (3.5 kg)
Environmental	
Operating Temperature	14°F ~ 131°F (-10°C ~ 55°C) With 0.5m/s Airflow
Storage Temperature	-4°F ~ 140°F (-20°C ~ 60°C)
Storage Humidity	10%~90% @104°F (40°C); non-condensing
Vibration	1 Grms / 5~500Hz/random Operation
Shock	—
EMC	CE/FCC, Class A
Power Supply	
Dc Input	DC 12~30V Power Input with 3 Pin Terminal Block
LCD	
Display Type	12.1" TFT-LCD
Max. Resolution	1024 x 768
Max. Colors	16.2M
Luminance	500 cd/m <sup>2</sup>
Viewing Angle	160° (H), 160° (V)
Back Light	LED
Back Light MTBF (Hours)	50,000
Touchscreen	
Type	Projective Capacitive Multi Touch or 5 Wire Resistive Touch Screen (By Model)
Light Transmission	P-CAP (90% ± 3%), 5-wire Resistive (80% ± 3%)
Life Time	—





## Dimension

Unit: mm



## Ordering Information

Part Number	Display Type	Max. Resolution	Luminance	View Angle	Backlight MTBF (Hours)	Display	Mounting	Power	Temp.	Touch	Others
OMNI-312MHTT-A1-1010	12.1" TFT-LCD	1024 x 768	500 cd/m <sup>2</sup>	160(H), 160(V)	50,000	VGA x 1 HDMI x 1	Panel mount VESA 100	DC 12V~30V	14°F ~ 131°F (-10°C ~ 55°C) (with 0.5 m/s airflow)	Flat 5 Wire Resistive	—
OMNI-312MHTT-A2-1010	12.1" TFT-LCD	1024 x 768	500 cd/m <sup>2</sup>	160(H), 160(V)	50,000	VGA x 1 HDMI x 1	Panel mount VESA 100	DC 12V~30V	14°F ~ 131°F (-10°C ~ 55°C) (with 0.5 m/s airflow)	Projected Capacitive	—

## Packing List

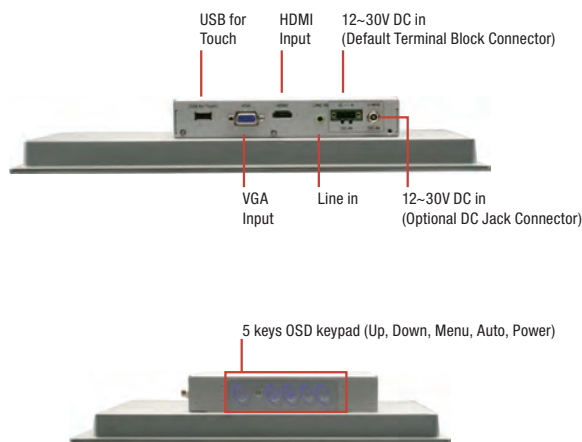
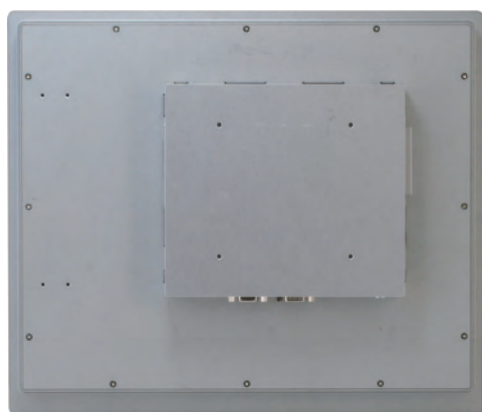
- VGA Cable x 1
- USB Cable for Touch x 1
- Phoenix Power Connector
- OMNI-312M

## Optional Accessories

- **125530040F**  
12V 40W FSP040-DHAN3
- **170X000799**  
Power Cord (US Type)
- **170X001024**  
Power Cord (European Type)
- **170X000803**  
Power Cord (Japanese Type)
- **AP-0T9789LA1000**  
LCD Monitor Stand 230mm, LA-100

# OMNI-315M

15" Touch Display Monitor, DC 12~30V



## Features

- 15" XGA (1024 x 768) TFT LCD Display
- Provide Projective Capacitive Touch or Resistive Touch Screen
- IP65 Aluminum Front Bezel
- DC 12~30V with Over Voltage/Current, Under Voltage Protection
- Optional Built-in Speakers



## Specifications

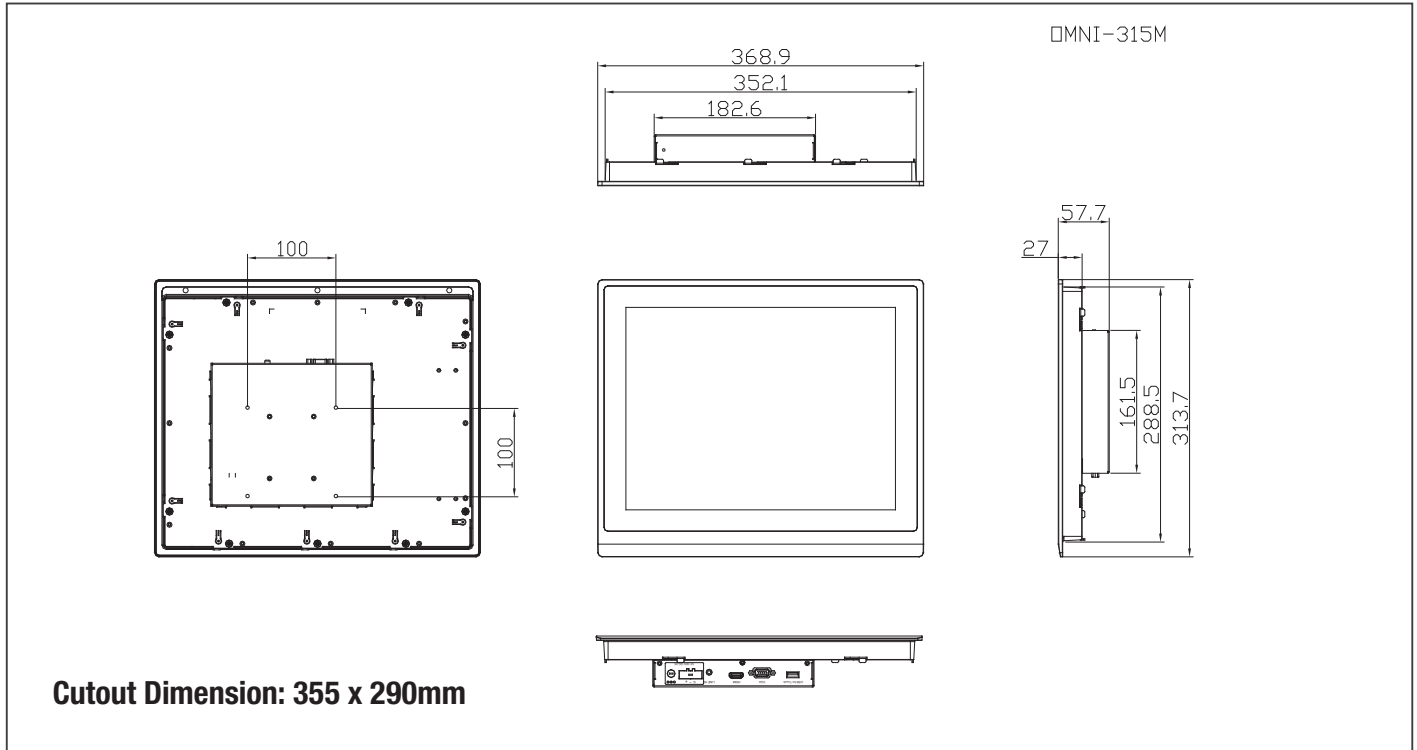
System	
Input Signal	VGA / HDMI
On Screen Display Control	5 keys OSD keypad (Up, Down, Menu, Auto, Power)
I/O Port	DB-15 VGA x 1 HDMI x 1 USB x 1 (For Enable T/S Function) Line in x 1 (For optional internal Speaker) Power Input x 1(Terminal Block 3pin)
Os Support	Windows® 7 32/64-bit, Windows® 8 32/64-bit, Windows® 10 64-bit, Linux Ubuntu 16.04
Mechanical	
Construction	IP65 aluminum front bezel & SGCC chassis
Mounting	Panel Mount / VESA 100 x 100 / Stand
Dimension	14.5" x 12.4" x 2.3" (369mm x 314mm x 58mm)
Carton Dimension	20.1" x 18.1" x 9.8" (510mm x 460mm x 250mm)
Gross Weight	14 lbs (6.35 kg)
Net Weight	11.2 lbs (5.1 kg)
Environmental	
Operating Temperature	14°F ~ 131°F (-10°C ~ 55°C) With 0.5m/s Airflow
Storage Temperature	-4°F ~ 140°F (-20°C ~ 60°C)
Storage Humidity	10%~90% @104°F (40°C); non-condensing
Vibration	1 Grms / 5~500Hz/random Operation
Shock	—
EMC	CE/FCC, Class A
Power Supply	
Dc Input	DC 12~30V Power Input with 3 Pin Terminal Block
LCD	
Display Type	15" TFT-LCD
Max. Resolution	1024 x 768
Max. Colors	16.2M (8bit/color)
Luminance	300 cd/m <sup>2</sup>
Viewing Angle	176° (H), 176° (V)
Back Light	LED
Back Light MTBF (Hours)	70,000
Touchscreen	
Type	Projective Capacitive Multi Touch or 5 Wire Resistive Touch Screen (By Model)
Light Transmission	P-CAP (90% ± 3%), 5-wire Resistive (80% ± 3%)
Life Time	—





## Dimension

Unit: mm



## Ordering Information

Part Number	Display Type	Max. Resolution	Luminance	View Angle	Backlight MTBF (Hours)	Display	Mounting	Power	Temp.	Touch	Others
OMNI-315MHTT-A1-1011	15" TFT-LCD	1024 x 768	300 cd/m <sup>2</sup>	176° (H), 176° (V)	70,000	VGA x 1 HDMI x 1	Panel mount VESA 100	DC 12V~30V	14°F ~ 131°F (-10°C ~ 55°C) (with 0.5 m/s airflow)	Flat 5 Wire Resistive	—
OMNI-315MHTT-A2-1011	15" TFT-LCD	1024 x 768	300 cd/m <sup>2</sup>	176° (H), 176° (V)	70,000	VGA x 1 HDMI x 1	Panel mount VESA 100	DC 12V~30V	14°F ~ 131°F (-10°C ~ 55°C) (with 0.5 m/s airflow)	Projected Capacitive	—

## Packing List

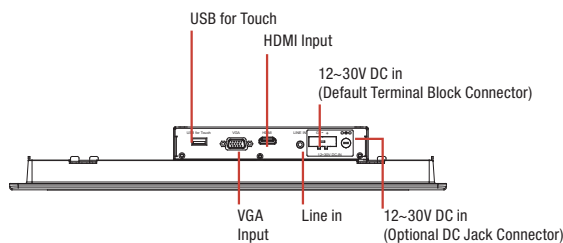
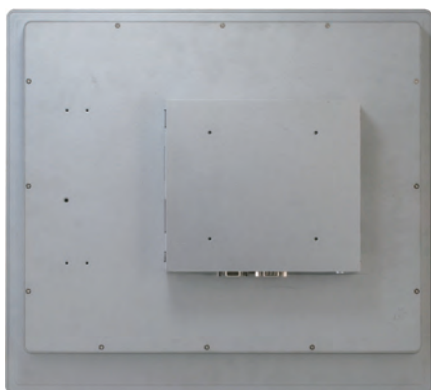
- VGA Cable x 1
- USB Cable for Touch x 1
- Phoenix Power Connector
- OMNI-315M

## Optional Accessories

- **125530040F**  
12V 40W FSP040-DHAN3
- **170X000799**  
Power Cord (US Type)
- **170X001024**  
Power Cord (European Type)
- **170X000803**  
Power Cord (Japanese Type)
- **AP-OT9789LA1000**  
LCD Monitor Stand 230mm, LA-100

# OMNI-317M

17" Touch Display Monitor, DC 12~30V



## Features

- 17" SXGA (1280 x 1024) TFT LCD Display
- Provide Projective Capacitive Touch or Resistive Touch Screen
- IP65 Aluminum Front Bezel
- DC 12~30V with Over Voltage/Current, Under Voltage Protection
- Optional Built-in Speakers



## Specifications

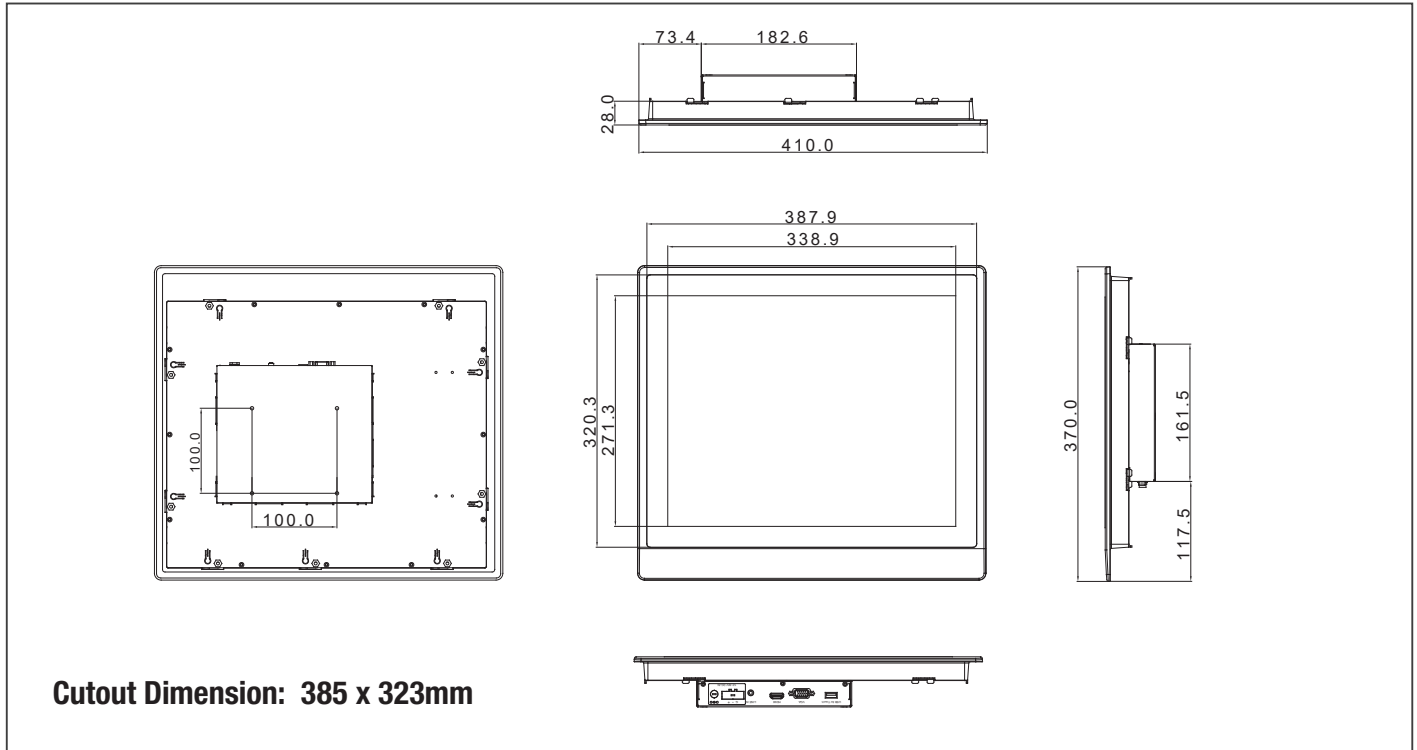
System	
Input Signal	VGA / HDMI
On Screen Display Control	5 keys OSD keypad (Up, Down, Menu, Auto, Power)
I/O Port	DB-15 VGA x 1 HDMI x 1 USB x 1 (For Enable T/S Function) Line in x 1 (For optional internal Speaker) Power Input x 1(Terminal Block 3pin)
Os Support	Windows® 7 32/64-bit, Windows® 8 32/64-bit, Windows® 10 64-bit, Linux Ubuntu 16.04
Mechanical	
Construction	IP65 aluminum front bezel & SGCC chassis
Mounting	Panel Mount / VESA 100 x 100 / Stand
Dimension	16.1" x 14.6" x 2.3" (410mm x 370mm x 59.1mm)
Carton Dimension	20.6" x 19.3" x 10.3" (522mm x 490mm x 262mm)
Gross Weight	14.8 lbs (6.7 kg)
Net Weight	11.7 lbs (5.3 kg)
Environmental	
Operating Temperature	14°F ~ 131°F (-10°C ~ 55°C) With 0.5m/s Airflow
Storage Temperature	-4°F ~ 140°F (-20°C ~ 60°C)
Storage Humidity	10%~90% @104°F (40°C); non-condensing
Vibration	1 Grms / 5~500Hz/random Operation
Shock	—
EMC	CE/FCC, Class A
Power Supply	
Dc Input	DC 12~30V Power Input with 3 Pin Terminal Block
LCD	
Display Type	17" TFT-LCD
Max. Resolution	1280 x 1024
Max. Colors	16.7M
Luminance	350 cd/m <sup>2</sup>
Viewing Angle	160° (H), 140° (V)
Back Light	LED
Back Light MTBF (Hours)	50,000
Touchscreen	
Type	Projective Capacitive Multi Touch or 5 Wire Resistive Touch Screen (By Model)
Light Transmission	P-CAP (90% ± 3%), 5-wire Resistive (80% ± 3%)
Life Time	—





## Dimension

Unit: mm



## Ordering Information

Part Number	Display Type	Max. Resolution	Luminance	View Angle	Backlight MTBF (Hours)	Display	Mounting	Power	Temp.	Touch	Others
OMNI-317MHTT-A1-1011	17" TFT-LCD	1280 x 1024	350 cd/m <sup>2</sup>	160°(H), 140°(V)	50,000	VGA x 1 HDMI x 1	Panel mount VESA 100	DC 12V~30V	14°F ~ 131°F (-10°C ~ 55°C) (with 0.5 m/s airflow)	Flat 5 Wire Resistive	—
OMNI-317MHTT-A2-1010	17" TFT-LCD	1280 x 1024	350 cd/m <sup>2</sup>	160°(H), 140°(V)	50,000	VGA x 1 HDMI x 1	Panel mount VESA 100	DC 12V~30V	14°F ~ 131°F (-10°C ~ 55°C) (with 0.5 m/s airflow)	Projected Capacitive	—

## Packing List

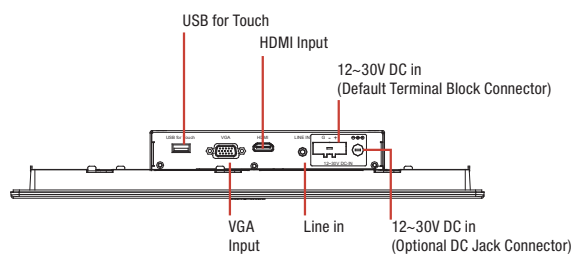
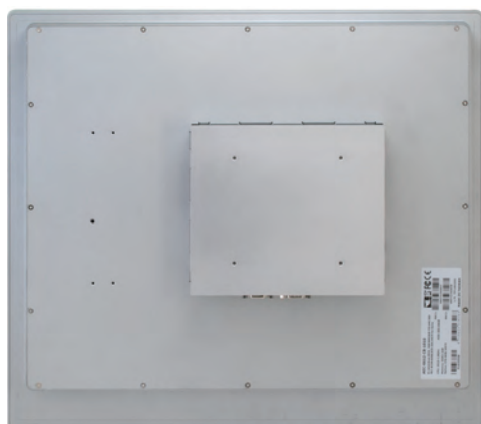
- VGA Cable x 1
- USB Cable for Touch x 1
- Phoenix Power Connector
- OMNI-317M

## Optional Accessories

- **125530040F**  
12V 40W FSP040-DHAN3
- **170X000799**  
Power Cord (US Type)
- **170X001024**  
Power Cord (European Type)
- **170X000803**  
Power Cord (Japanese Type)
- **AP-OT9789LA1000**  
LCD Monitor Stand 230mm, LA-100

# OMNI-319M

19" Touch Display Monitor, DC 12~30V



## Features

- 19" SXGA (1280 x 1024) TFT LCD Display
- Provide Projective Capacitive Touch or Resistive Touch Screen
- IP65 Aluminum Front Bezel
- DC 12~30V with Over Voltage/Current, Under Voltage Protection
- Optional Built-in Speakers



## Specifications

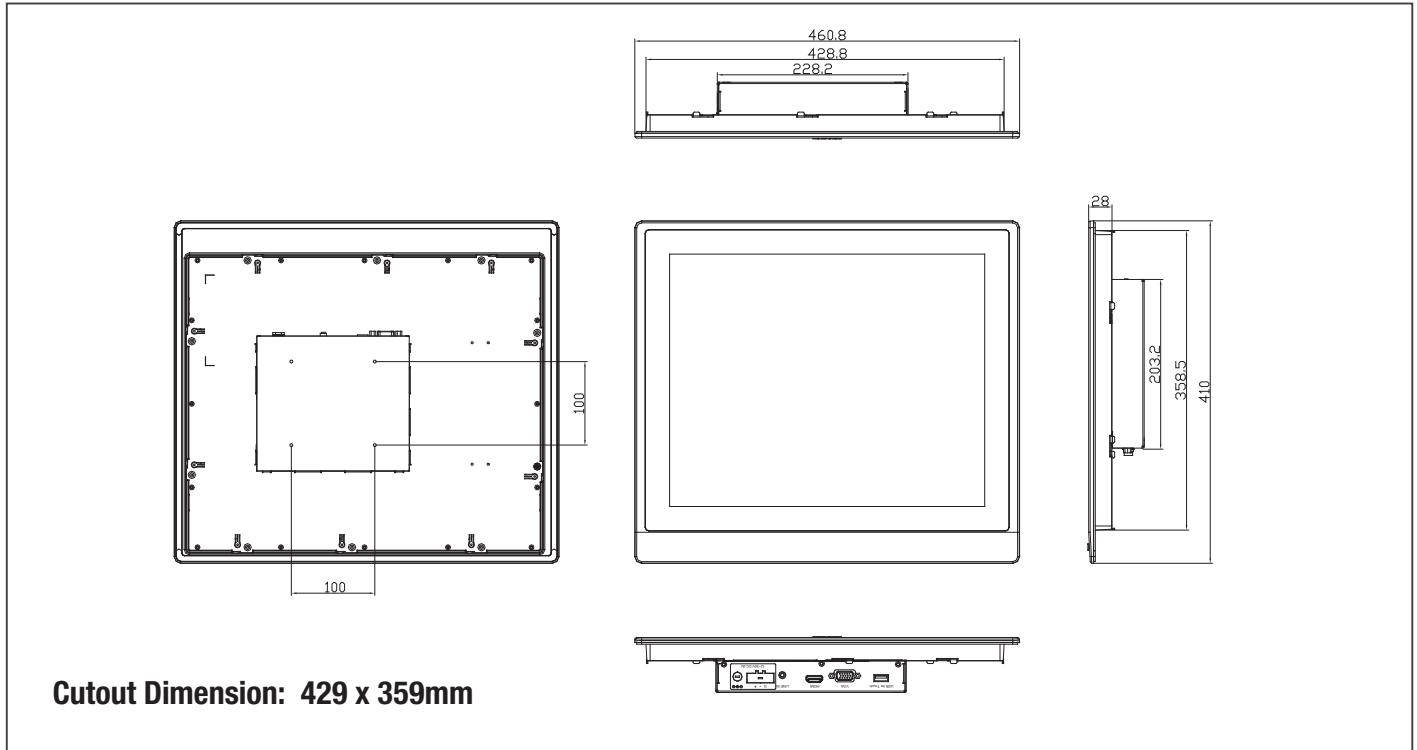
System	
Input Signal	VGA / HDMI
On Screen Display Control	5 keys OSD keypad (Up, Down, Menu, Auto, Power)
I/O Port	DB-15 VGA x 1 HDMI x 1 USB x 1 (For Enable T/S Function) Line in x 1 (For optional internal Speaker) Power Input x 1(Terminal Block 3pin)
Os Support	Windows® 7 32/64-bit, Windows® 8 32/64-bit, Windows® 10 64-bit, Linux Ubuntu 16.04
Mechanical	
Construction	IP65 aluminum front bezel & SGCC chassis
Mounting	Panel Mount / VESA 100 x 100 / Stand
Dimension	18.1" x 16.1" x 2.3" (460.8mm x 410mm x 59.1mm)
Carton Dimension	26.0" x 19.5" x 8.1 (661mm x 496mm x 206mm)
Gross Weight	18.1 lbs (8.2 kg)
Net Weight	15.2 lbs (6.9 kg)
Environmental	
Operating Temperature	14°F ~ 131°F (-10°C ~ 55°C) With 0.5m/s Airflow
Storage Temperature	-4°F ~ 140°F (-20°C ~ 60°C)
Storage Humidity	10%~90% @104°F (40°C); non-condensing
Vibration	1 Grms / 5~500Hz/random Operation
Shock	—
EMC	CE/FCC, Class A
Power Supply	
Dc Input	DC 12~30V Power Input with 3 Pin Terminal Block
LCD	
Display Type	19" TFT-LCD
Max. Resolution	1280 x 1024
Max. Colors	16.7M
Luminance	350 cd/m <sup>2</sup>
Viewing Angle	170° (H), 160° (V)
Back Light	LED
Back Light MTBF (Hours)	50,000
Touchscreen	
Type	Projective Capacitive Multi Touch or 5 Wire Resistive Touch Screen (By Model)
Light Transmission	P-CAP (90% ± 3%), 5-wire Resistive (80% ± 3%)
Life Time	—





## Dimension

Unit: mm



## Ordering Information

Part Number	Display Type	Max. Resolution	Luminance	View Angle	Backlight MTBF (Hours)	Display	Mounting	Power	Temp.	Touch	Others
OMNI-319MHTT-A1-1011	19" TFT-LCD	1280 x 1024	350 cd/m <sup>2</sup>	170(H), 160(V)	50,000	VGA x 1 HDMI x 1	Panel mount VESA 100	DC 12V~30V	14°F ~ 131°F (-10°C ~ 55°C) (with 0.5 m/s airflow)	Flat 5 Wire Resistive	—
OMNI-319MHTT-A2-1010	19" TFT-LCD	1280 x 1024	350 cd/m <sup>2</sup>	170(H), 160(V)	50,000	VGA x 1 HDMI x 1	Panel mount VESA 100	DC 12V~30V	14°F ~ 131°F (-10°C ~ 55°C) (with 0.5 m/s airflow)	Projected Capacitive	—

## Packing List

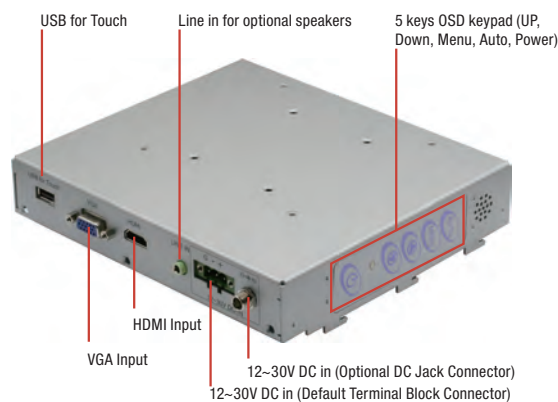
- VGA Cable x 1
- USB Cable for Touch x 1
- Phoenix Power Connector
- OMNI-319M

## Optional Accessories

- **125530040F**  
12V 40W FSP040-DHAN3
- **170X000799**  
Power Cord (US Type)
- **170X001024**  
Power Cord (European Type)
- **170X000803**  
Power Cord (Japanese Type)
- **AP-OT9789LA1000**  
LCD Monitor Stand 230mm, LA-100

# OMNI-ADB-KIT

Display BOX Kit, DC 12~30V



## Features

- Compatible with OMNI Series Modules- Panels: to Build Your Own OMNI Display
- No any Firmware Changes Needed to Combine with 7 Sizes OMNI Panel Modules
- DC 12~30V with Over Voltage/Current, Under Voltage Protection
- Optional Built-in Speakers



## Specifications

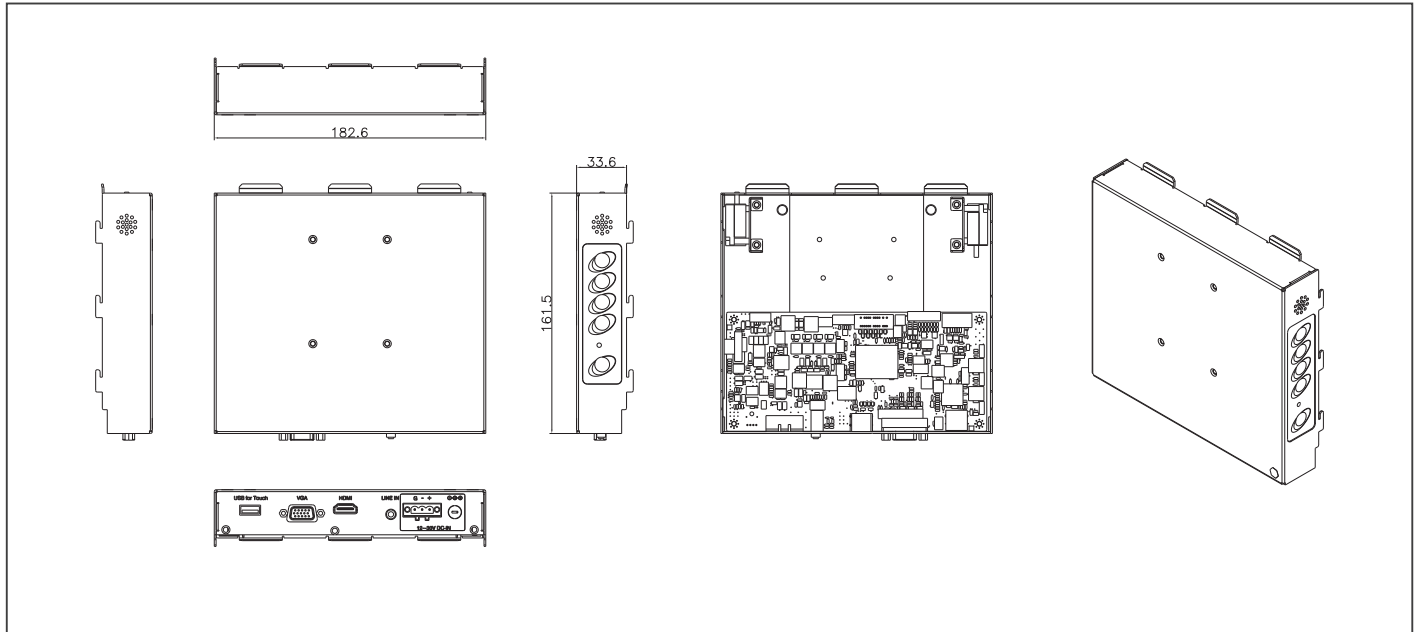
System		
Input Signal	VGA / HDMI	
On Screen Display Control	5 keys OSD keypad (Up, Down, Menu, Auto, Power)	
I/O Port	DB-15 x 1 for VGA HDMI x 1 USB Type A x 1 (For Enable T/S Function) Line in x 1 (For optional internal Speaker) Power Input x 1(Default Terminal Block 3pin)	
OS Support	Windows® 7 32/64-bit, Windows® 8 32/64-bit, Windows® 10 64-bit, Linux Ubuntu 16.04	
Mechanical		
Construction	Metal chassis	
Mounting	Must be assembled with OMNI-Series Modules-Panels	
Dimension	5.1" x 6.4" x 1.2" (128.6mm x 161.5mm x 30.7mm)	
Carton Dimension	12.3" x 10.1" x 7.6" (312mm x 257mm x 194mm)	
Gross Weight	5.5 lb (2.5 kg)	
Net Weight	2.6 lb (1.2 kg)	
Environmental		
Operating Temperature	14°F ~ 131°F (-10°C ~ 55°C) With 0.5m/s Airflow	
Storage Temperature	-4°F ~ 140°F (-20°C ~ 60°C)	
Storage Humidity	10%~90% @104°F (40°C); non-condensing	
Vibration	1 Grms / 5~500Hz/random Operation	
Shock	—	
EMC	CE/FCC, Class A	
Power Supply		
DC Input	DC 12~30V Power Input with 3 Pin Terminal Block	
LCD		
Display Type	Depends on your OMNI Panel Modules	
Max. Resolution		
Max. Colors		
Luminance		
Viewing Angle		
Back Light		
Back Light MTBF (Hours)	Depends on your OMNI Panel Modules	
Touchscreen		
Type		
Light Transmission	Depends on your OMNI Panel Modules	
Life Time		





## Dimension

Unit: mm



## Ordering Information

Part Number	Display Type	Max. Resolution	Luminance	View Angle	Backlight MTBF (Hours)	Display	Mounting	Power	Temp.	Touch	Other
OMNI-ADB-KIT-A1-1010	—	—	—	—	—	VGA x 1 HDMI x 1	Mount with OMNI Panel Modules	DC 12V-30V	14°F ~ 131°F (-10°C ~ 55°C) (with 0.5 m/s airflow)	—	—

## Packing List

- VGA Cable x 1
- USB Cable for Touch x 1
- Phoenix Power Connector
- OMNI-ADB-Kit

## Optional Accessories

- **125530040F**  
(TF)AC/DC Adapter.12V.40W.3.33A.FSP.3p phoenix.  
FSP040-DHAN3.9NA0406819
- **170X000799**  
Power Cord (US Type)
- **170X001024**  
Power Cord (European Type)
- **170X000803**  
Power Cord (Japanese Type)

# 08



ES France - Mobilité & Systèmes Embarqués  
127 rue de Buzenval BP 26 - 92380 Garches



Tél. 01 47 95 99 80



e-mail : [mse@es-france.com](mailto:mse@es-france.com)  
Site Web : [www.es-france.com](http://www.es-france.com)

# 08

## AI Panel PC Solutions



ES France - Mobilité & Systèmes Embarqués  
127 rue de Buzenval BP 26 - 92380 Garches



Tél. 01 47 95 99 80

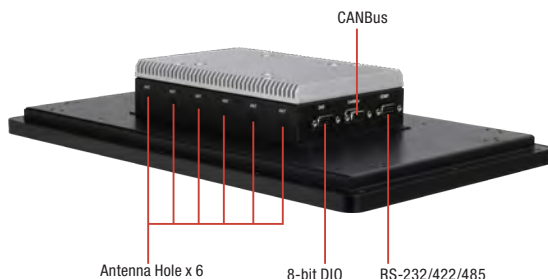


e-mail : [mse@es-france.com](mailto:mse@es-france.com)  
Site Web : [www.es-france.com](http://www.es-france.com)

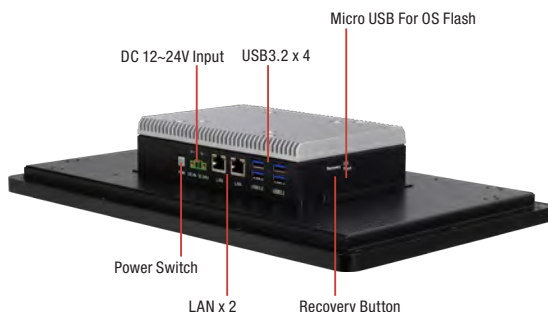
Front View



Top View



Bottom View



## Features

- 15.6" FHD 1920x1080
- PCAP Touch
- NVIDIA® Jetson Orin™ NX
- 8GB LPDDR5
- M.2 E-Key x 1, M.2 B-Key x 1, M.2 M-Key x 1
- CANBus, DIO, COM Port
- GbE LAN x 2
- DC 12~24V



## Specifications

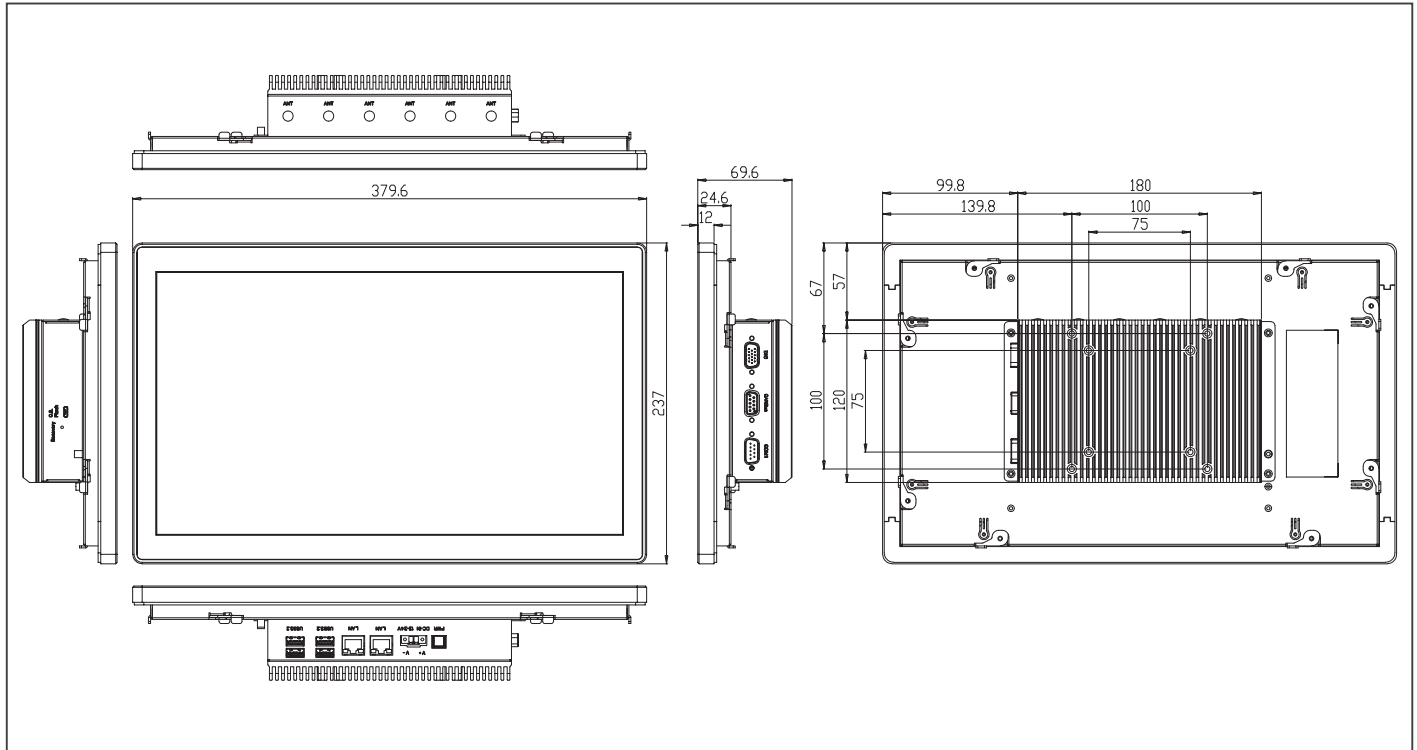
System	
Processor	NVIDIA® Jetson Orin™ NX 6-core Arm® Cortex®-A78AE v8.2 64-bit CPU
System Memory	8GB LPDDR5
LCD/CRT controller	—
Ethernet	GbE LAN x 2
I/O Port	USB 3.2 Gen 2 (Type-A) x 4 GbE LAN x 2 Micro USB x 1 for OS Flash DB-9 x 1 for CANBus DB-9 x 1 for RS-232/422/485 DB-15 x 1 for 8-bit DIO Power ON/OFF Switch x 1 Recovery Button x 1 Antenna Hole x 6
Storage Disk Drive	M.2 2280 M-Key x 1 for Storage (Default: 128GB)
Expansion Slot	M.2 2230 E-Key x 1 M.2 3042/3052 B-Key x 1
OS support	Ubuntu 22.04
Mechanical	
Construction	Aluminum Front Bezel + Metal Chassis
Mounting	VESA 100 / Panel Mount
Dimension	15.2" x 9.3" x 2.6" (385.6mm x 235.0mm x 66.6mm)
Carton Dimension	20.3" x 15.2" x 7.8" (515mm x 385mm x 198mm)
Gross Weight	9.39 lb. (4.26Kg)
Environmental	
Operating Temperature	23°F ~ 131°F (-5°C ~ 55°C) with 0.7 m/s airflow
Storage Temperature	-4°F ~ 140°F (-20°C ~ 60°C)
Storage Humidity	90% @ 40°C, non-condensing
Vibration	1Grms / 5~ 500Hz / operation
Shock	15 G peak acceleration (11 msec. duration)
EMC	CE/FCC Class A
Power Supply	
DC Input	DC 12~24V
LCD	
Display Type	15.6" TFT-LCD, LED
Max Resolution	1920 (H) x 1080 (V)
Max. Colors	16.7M
Luminance	350 cd/m <sup>2</sup>
Viewing Angle	160° (H) / 160° (V)
Back Light	LED
Back Light MTBF (Hours)	35,000
Touchscreen	
Type	P-CAP
Light Transmission	≥ 85%





## Dimension

Unit: mm



## Packing List

- Phoenix Power Connector
- Screws
- NIKY-2155-NX

## Optional Accessories

Part Number	Description
170X000799	Power Cord (US Type)
170X001024	Power Cord (European Type)
170X000803	Power Cord (Japanese Type)
1255300611	12V 60W Power Adapter

## Ordering Information

Part Number	Display Type	Max Resolution	Luminance	View Angle	CPU	LAN	USB	RS-232/422/485	Storage	RAM	Display	Internal Expansion	Mounting	Power	Operating Temp.	Touch
NIKY-2155HTT-NX-A1-1010	15.6" TFT LCD	1920 (H) x 1080 (V)	350 cd/m <sup>2</sup>	160° (H) / 160° (V)	NVIDIA® Jetson Orin™ NX	2	USB 3.2 Gen 2 x 4	1	M.2 2280 M-Key x 1 (Default: 128GB)	8GB	—	M.2 2230 E-Key x 1 M.2 3042/3052 B-Key x 1	VESA / Panel Mount	DC 12V ~ 24V	23°F ~ 131°F (-5°C ~ 55°C)	P-CAP

# NIKY-2155-NANO PRELIMINARY

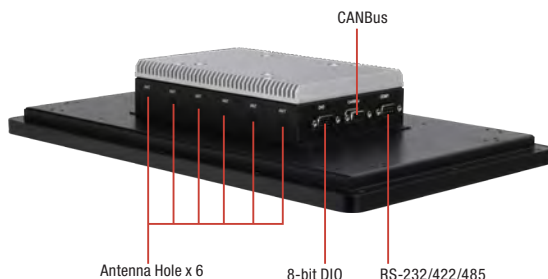
15.6" Full HD 1920 x 1080 AI Panel PC with NVIDIA® Jetson Orin™ Nano



Front View



Top View



Bottom View



## Features

- 15.6" FHD 1920x1080
- PCAP Touch
- NVIDIA® Jetson Orin™ Nano
- 8GB LPDDR5
- M.2 E-Key x 1, M.2 B-Key x 1, M.2 M-Key x 1
- CANBus, DIO, COM Port
- GbE LAN x 2
- DC 12~24V



## Specifications

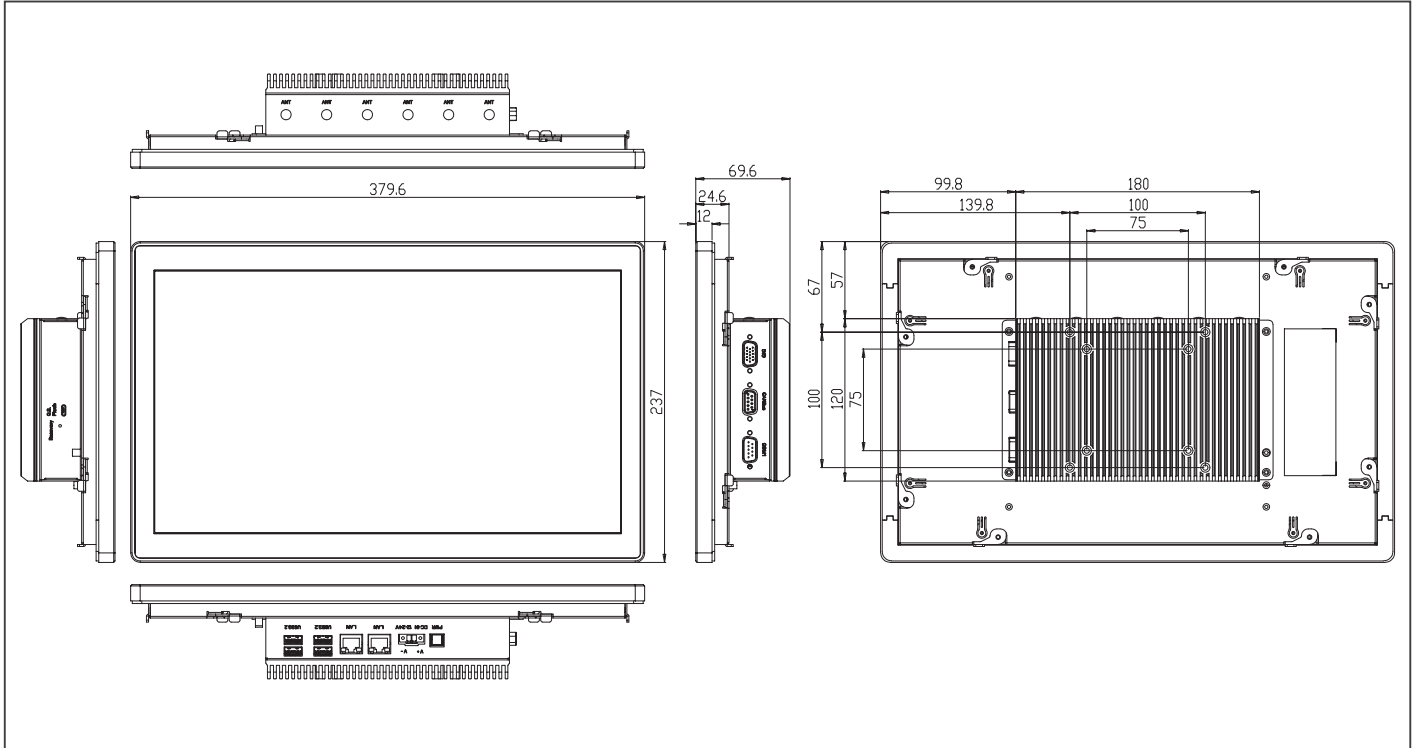
System	
Processor	NVIDIA® Jetson Orin™ Nano 6-core Arm® Cortex®-A78AE v8.2 64-bit CPU
System Memory	8GB LPDDR5 / 4GB LRDDR5
LCD/CRT controller	—
Ethernet	GbE LAN x2
I/O Port	USB 3.2 Gen 2 (Type-A) x 4 GbE LAN x 2 Micro USB x 1 for OS Flash DB-9 x 1 for CANBus DB-9 x 1 for RS-232/422/485 DB-15 x 1 for 8-bit DIO Power ON/OFF Switch x 1 Recovery Button x 1 Antenna Hole x 6
Storage Disk Drive	M.2 2280 M-Key x 1 for Storage (Default: 128GB)
Expansion Slot	M.2 2230 E-Key x 1 M.2 3042/3052 B-Key x 1
OS support	Ubuntu 22.04
Mechanical	
Construction	Aluminum Front Bezel + Metal Chassis
Mounting	VESA 100 / Panel Mount
Dimension	TBD
Carton Dimension	TBD
Gross Weight	TBD
Environmental	
Operating Temperature	23°F ~ 131°F (-5°C ~ 55°C) with 0.7 m/s airflow
Storage Temperature	-4°F ~ 140°F (-20°C ~ 60°C)
Storage Humidity	90% @ 40°C, non-condensing
Vibration	1Grms / 5~ 500Hz / operation
Shock	15 G peak acceleration (11 msec. duration)
EMC	CE/FCC Class A
Power Supply	
DC Input	DC 12~24V
LCD	
Display Type	15.6" TFT-LCD, LED
Max Resolution	1920 (H) x 1080 (V)
Max. Colors	16.7M
Luminance	350 cd/m <sup>2</sup>
Viewing Angle	160° (H) / 160° (V)
Back Light	LED
Back Light MTBF (Hours)	35,000
Touchscreen	
Type	P-CAP
Light Transmission	≥ 85%





## Dimension

Unit: mm



## Packing List

- Phoenix Power Connector
- Screws
- NIKY-2155-NANO

## Optional Accessories

Part Number	Description
170X000799	Power Cord (US Type)
170X001024	Power Cord (European Type)
170X000803	Power Cord (Japanese Type)
1255300611	12V 60W Power Adapter

## Ordering Information

- TBD

# NIKY-2075-NANO PRELIMINARY

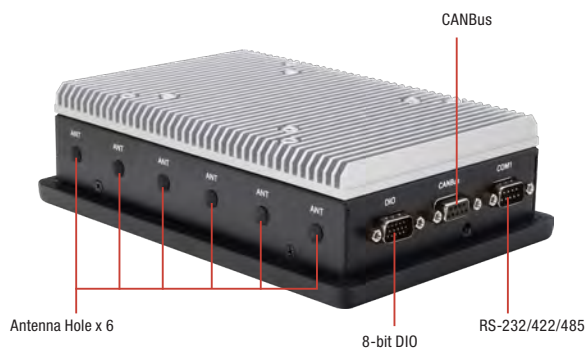
7" WXGA Multi Touch AI Panel PC with NVIDIA® Jetson Orin™ Nano



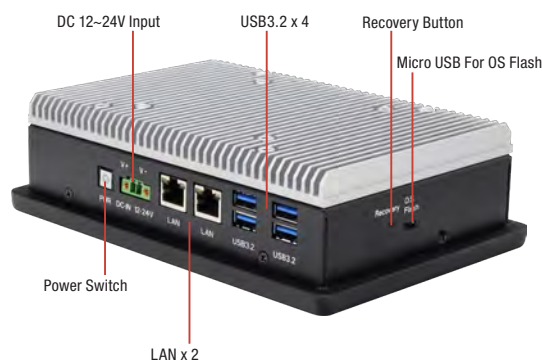
Front View



Top View



Bottom View



## Features

- 7" WXGA Multi Touch AI Panel PC
- PCAP Touch
- NVIDIA® Jetson Orin™ Nano
- 8GB LPDDR5
- M.2 E-Key x 1, M.2 B-Key x 1, M.2 M-Key x 1
- CANBus, DIO, COM Port
- GbE LAN x 2
- DC 12~24V



## Specifications

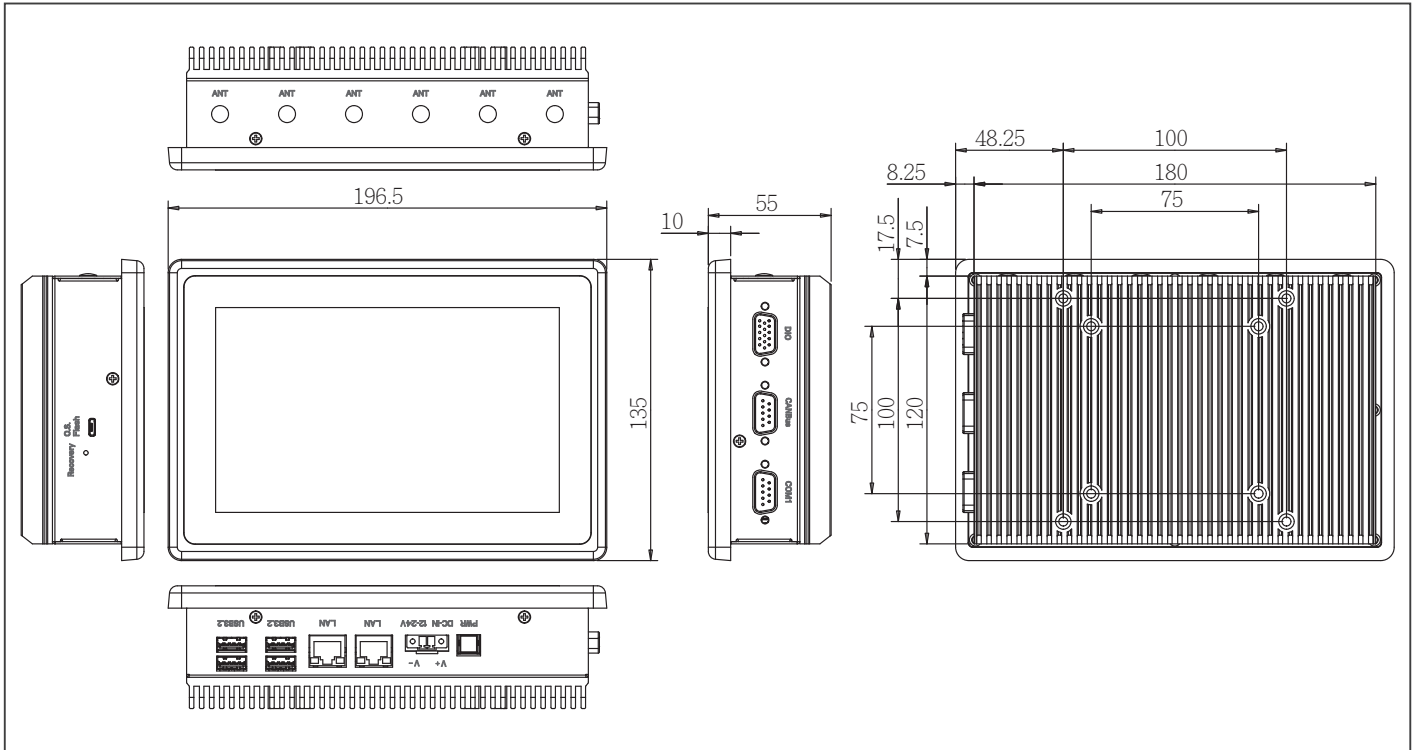
System	
Processor	NVIDIA® Jetson Orin™ NANO 6-core Arm® Cortex®-A78AE v8.2 64-bit CPU
System Memory	8GB LPDDR5 / 4GB LRDDR5
LCD/CRT controller	—
Ethernet	GbE LAN x2
I/O Port	USB 3.2 Gen 2 (Type-A) x 4 GbE LAN x 2 Micro USB x 1 for OS Flash DB-9 x 1 for CANBus DB-9 x 1 for RS-232/422/485 DB-15 x 1 for 8-bit DIO Power ON/OFF Switch x 1 Recovery Button x 1 Antenna Hole x 6
Storage Disk Drive	M.2 2280 M-Key x 1 for Storage (Default: 128GB)
Expansion Slot	M.2 2230 E-Key x 1 M.2 3042/3052 B-Key x 1
OS support	Ubuntu 22.04
Mechanical	
Construction	Aluminum Front Bezel + Metal Chassis
Mounting	VESA 100 / Panel Mount
Dimension	TBD
Carton Dimension	TBD
Gross Weight	TBD
Environmental	
Operating Temperature	23°F ~ 131°F (-5°C ~ 55°C) with 0.7 m/s airflow
Storage Temperature	-4°F ~ 140°F (-20°C ~ 60°C)
Storage Humidity	90% @ 40°C, non-condensing
Vibration	1Grms / 5~ 500Hz / operation
Shock	15 G peak acceleration (11 msec. duration)
EMC	CE/FCC Class A
Power Supply	
DC Input	DC 12~24V
LCD	
Display Type	7" TFT LCD, LED
Max Resolution	1024 x 600
Max. Colors	16.7M
Luminance	320 cd/m2
Viewing Angle	145° (H) ; 150° (V)
Back Light	LED
Back Light MTBF (Hours)	20,000 Hrs
Touchscreen	
Type	Projected Capacitive Multi-Touch
Light Transmission	90%





## Dimension

Unit: mm



## Packing List

- Phoenix Power Connector
- Screws
- NIKY-2075-NANO

## Optional Accessories

Part Number	Description
170X000799	Power Cord (US Type)
170X001024	Power Cord (European Type)
170X000803	Power Cord (Japanese Type)
1255300611	12V 60W Power Adapter

## Ordering Information

- TBD



Always Agile, Always Ahead.

MKT-2202603

## AAEON Technology Inc.

6F., No. 28, Baogao Rd., Xindian Dist., New Taipei City 231029, Taiwan R.O.C.  
Tel: +886-2-8919-1234 Fax: +886-2-8919-1056 E-mail: sales@aaeon.com.tw

## LITERATURE ORDERING

Contact your local office for literature requests.

### USA

#### USA

##### California Office

324 W. Blueridge Ave, Orange, CA 92865  
Toll Free: +1-877-TO-AAEON (1-877-862-2366)  
TEL: +1-714-996-1800  
FAX: +1-714-996-1811  
E-mail: sales@aaeon.com  
Tech Support: tech@aaeon.com

##### New Jersey Office

11 Crown Plaza, Hazlet, NJ 07730-2441  
TEL: +1-732-203-9300  
FAX: +1-732-203-9311  
E-mail: sales@aaeon.com  
Tech Support: tech@aaeon.com

### EUR

#### Netherlands

##### AAEON EUROPE

Beatrix de Rijkweg 8, 5657 EG Eindhoven  
TEL: +31(0)499-745200  
FAX: +31(0)499-462010  
E-mail: sales@aaeon.eu

#### Germany

##### AAEON Technology GmbH

Monzastrasse 4e, 63225 Langen  
TEL: +49(0)61033 74 79 00  
FAX: +49(0)61033 74 79 49  
E-mail: sales@aaeon.eu

#### France

##### AAEON France Office

Gare de Lyon, 37/39 Avenue Ledru-Rollin,  
CS 11237, 75012 Paris Cedex 12  
TEL: +33 (0) 156 95 16 40  
E-mail: sales@aaeon.eu

#### Italy

##### AAEON Italy Office

Viale Masini 12/14, 40126 Bologna  
TEL: + 39 051 0923582  
E-mail: sales@aaeon.eu

### ASIA

#### China

##### AAEON Technology (Su Zhou) Inc.

Room 12, 2F, Building B, No.5 Xing Han Street,  
Suzhou Industrial Park, Jiang Su Province  
TEL: +86-512-6762-5700  
FAX: +86-512-6761-7337  
E-mail: sales@aaeon.com.cn

##### Shanghai Branch Office

20F, Unit D, GEM Building, No.487 Tianlin Road,  
Xuhui District, Shanghai  
TEL: +86-21-3367-5511  
FAX: +86-21-3367-4238  
E-mail: sales@aaeon.com.cn

##### Beijing Branch Office

Room 710, Tower D, Jiahua Building, No.9,  
Shangdi Third Street, Haidian District, Beijing  
TEL: +86-10-8278-0904  
FAX: +86-10-8278-0214  
E-mail: sales@aaeon.com.cn

##### Wuhan Branch Office

Room 06, 17/ F, Building C, Phase I, Modern International  
Design City, Optics Valley Avenue, East Lake New  
Technology Development Zone, Wuhan  
TEL: +86-027-87003780  
E-mail: sales@aaeon.com.cn

#### China

##### Chengdu Branch Office

Room 1801/1810, China (Sichuan) ASEAN Free  
Trade Cooperation Center, No.1165 Shuangxing  
Avenue, Shuangliu District, Chengdu  
TEL: +86-028-85120523  
E-mail: sales@aaeon.com.cn

##### Shenzhen Branch Office

518, 5th floor, Guoxin Investment Building,  
Gaoxin South Seventh Road,  
Nanshan District, Shenzhen  
TEL: +86-755-8304-7277  
FAX: +86-755-8304-7272  
E-mail: sales@aaeon.com.cn

##### Hangzhou Branch Office

A411 Haichuang Building, No. 1338 Wenyi  
West Road, Yuhang District, Hangzhou  
TEL: +86-0571-8609-7652  
E-mail: sales@aaeon.com.cn

#### Singapore

##### AAEON Technology Singapore PTE LTD.

57 Genting Lane, #07-00, Singapore 349564  
TEL: +65-6749-8749  
FAX: +65-6746-1595  
E-mail: sales@aaeon.com.sg



ES France - Mobilité & Systèmes Embarqués  
127 rue de Buzenval BP 26 - 92380 Garches



Tél. 01 47 95 99 80



e-mail : mse@es-france.com  
Site Web : www.es-france.com