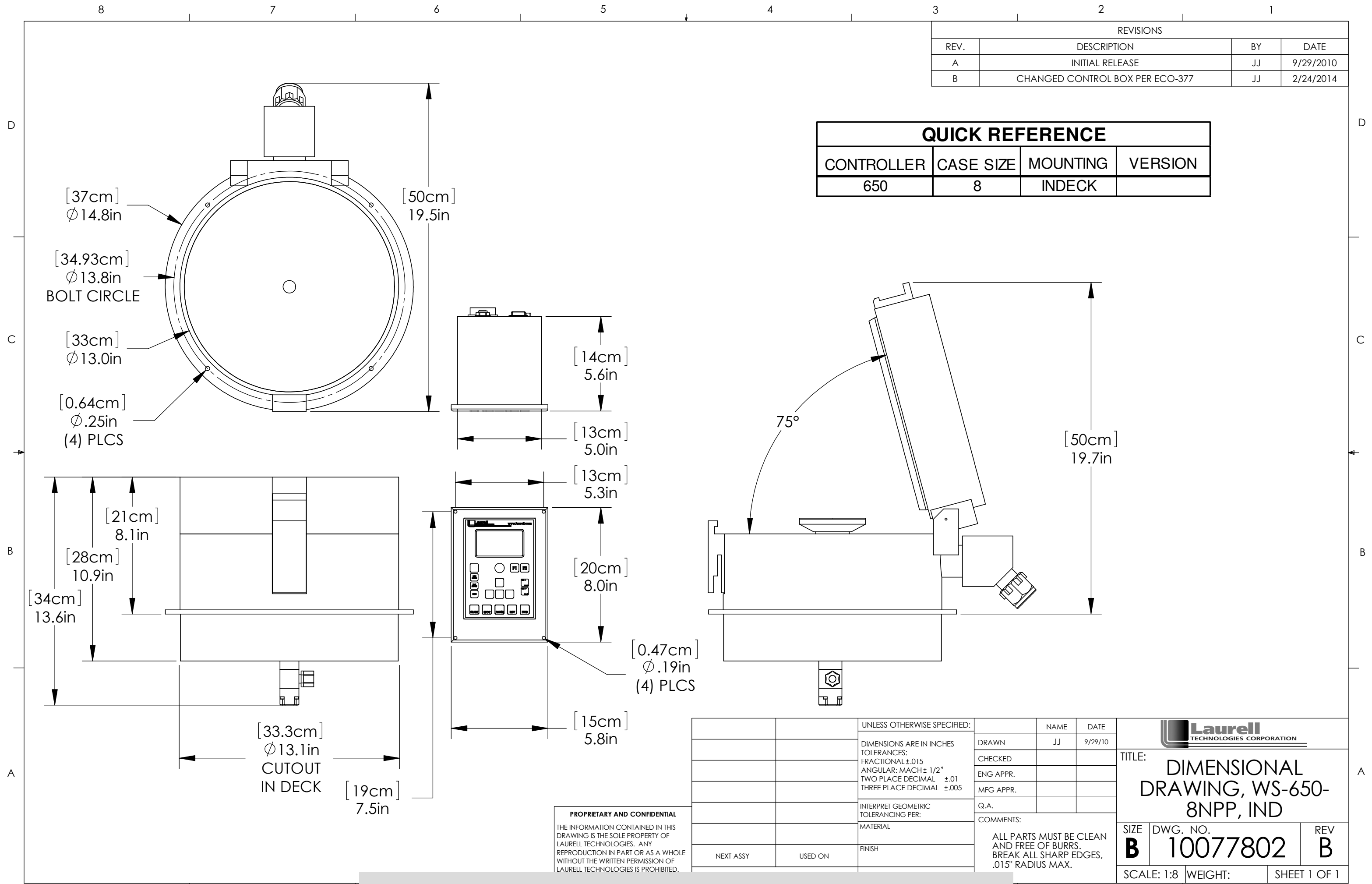


REVISIONS			
REV.	DESCRIPTION	BY	DATE
A	INITIAL RELEASE	JJ	9/29/2010
B	CHANGED CONTROL BOX PER ECO-377	JJ	2/24/2014

QUICK REFERENCE			
CONTROLLER	CASE SIZE	MOUNTING	VERSION
650	8	INDECK	



PROPRIETARY AND CONFIDENTIAL
 THE INFORMATION CONTAINED IN THIS DRAWING IS THE SOLE PROPERTY OF LAURELL TECHNOLOGIES. ANY REPRODUCTION IN PART OR AS A WHOLE WITHOUT THE WRITTEN PERMISSION OF LAURELL TECHNOLOGIES IS PROHIBITED.

UNLESS OTHERWISE SPECIFIED:	
DIMENSIONS ARE IN INCHES	
TOLERANCES:	
FRACTIONAL: $\pm .015$	
ANGULAR: MACH $\pm 1/2^\circ$	
TWO PLACE DECIMAL: $\pm .01$	
THREE PLACE DECIMAL: $\pm .005$	
INTERPRET GEOMETRIC TOLERANCING PER:	
MATERIAL:	
FINISH:	
NEXT ASSY:	USED ON:

	NAME	DATE
DRAWN	JJ	9/29/10
CHECKED		
ENG APPR.		
MFG APPR.		
Q.A.		
COMMENTS:	ALL PARTS MUST BE CLEAN AND FREE OF BURRS. BREAK ALL SHARP EDGES, .015" RADIUS MAX.	

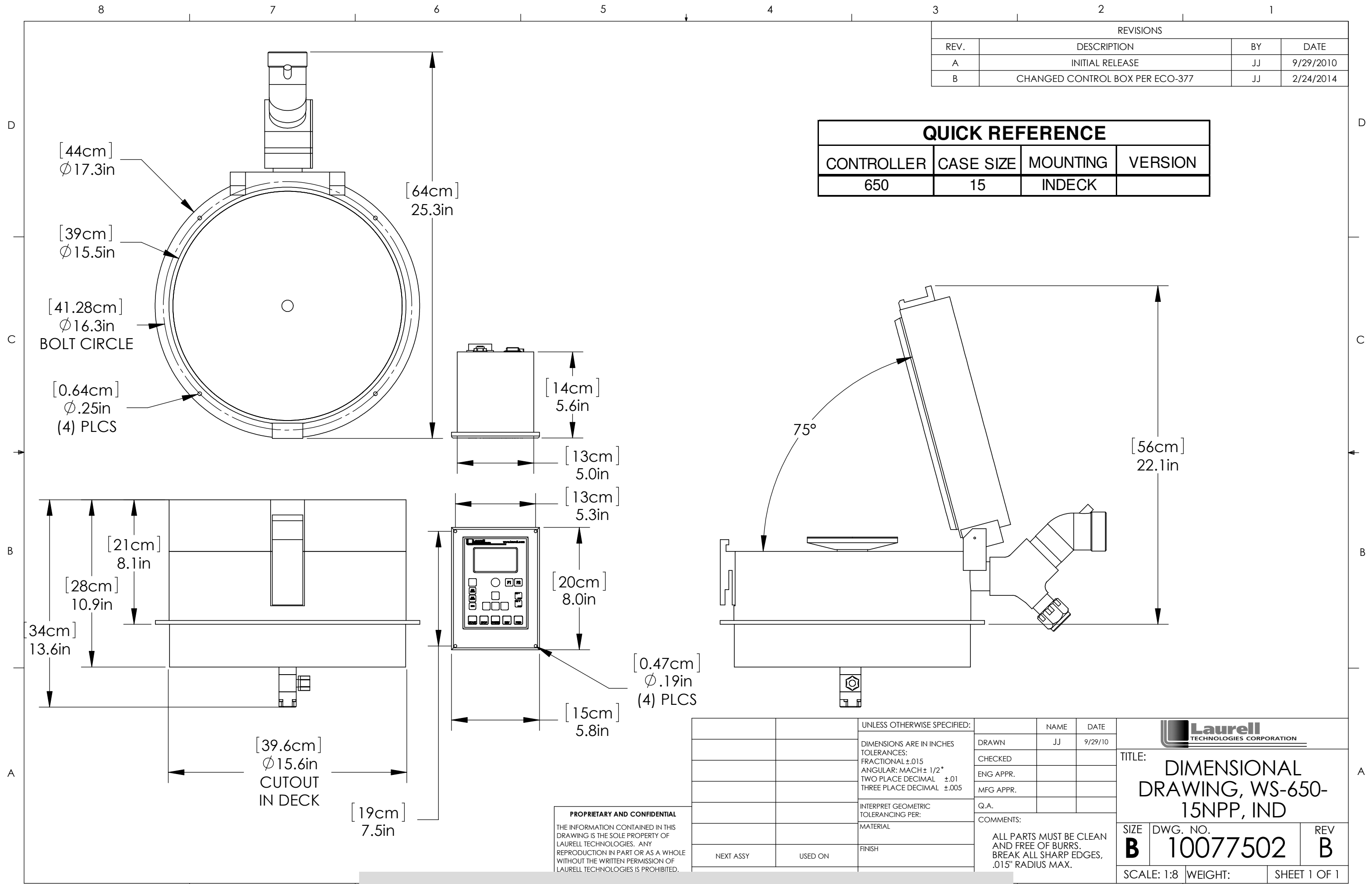
Laurell TECHNOLOGIES CORPORATION

TITLE: **DIMENSIONAL DRAWING, WS-650-8NPP, IND**

SIZE B	DWG. NO. 10077802	REV B
SCALE: 1:8	WEIGHT:	SHEET 1 OF 1

REVISIONS			
REV.	DESCRIPTION	BY	DATE
A	INITIAL RELEASE	JJ	9/29/2010
B	CHANGED CONTROL BOX PER ECO-377	JJ	2/24/2014

QUICK REFERENCE			
CONTROLLER	CASE SIZE	MOUNTING	VERSION
650	15	INDECK	



PROPRIETARY AND CONFIDENTIAL
 THE INFORMATION CONTAINED IN THIS DRAWING IS THE SOLE PROPERTY OF LAURELL TECHNOLOGIES. ANY REPRODUCTION IN PART OR AS A WHOLE WITHOUT THE WRITTEN PERMISSION OF LAURELL TECHNOLOGIES IS PROHIBITED.

UNLESS OTHERWISE SPECIFIED:		NAME	DATE
DIMENSIONS ARE IN INCHES		DRAWN	JJ 9/29/10
TOLERANCES:		CHECKED	
FRACTIONAL: \pm .015		ENG APPR.	
ANGULAR: MACH \pm 1/2°		MFG APPR.	
TWO PLACE DECIMAL \pm .01		Q.A.	
THREE PLACE DECIMAL \pm .005		COMMENTS:	
INTERPRET GEOMETRIC TOLERANCING PER:		ALL PARTS MUST BE CLEAN AND FREE OF BURRS. BREAK ALL SHARP EDGES, .015" RADIUS MAX.	
MATERIAL			
FINISH			
NEXT ASSY	USED ON		

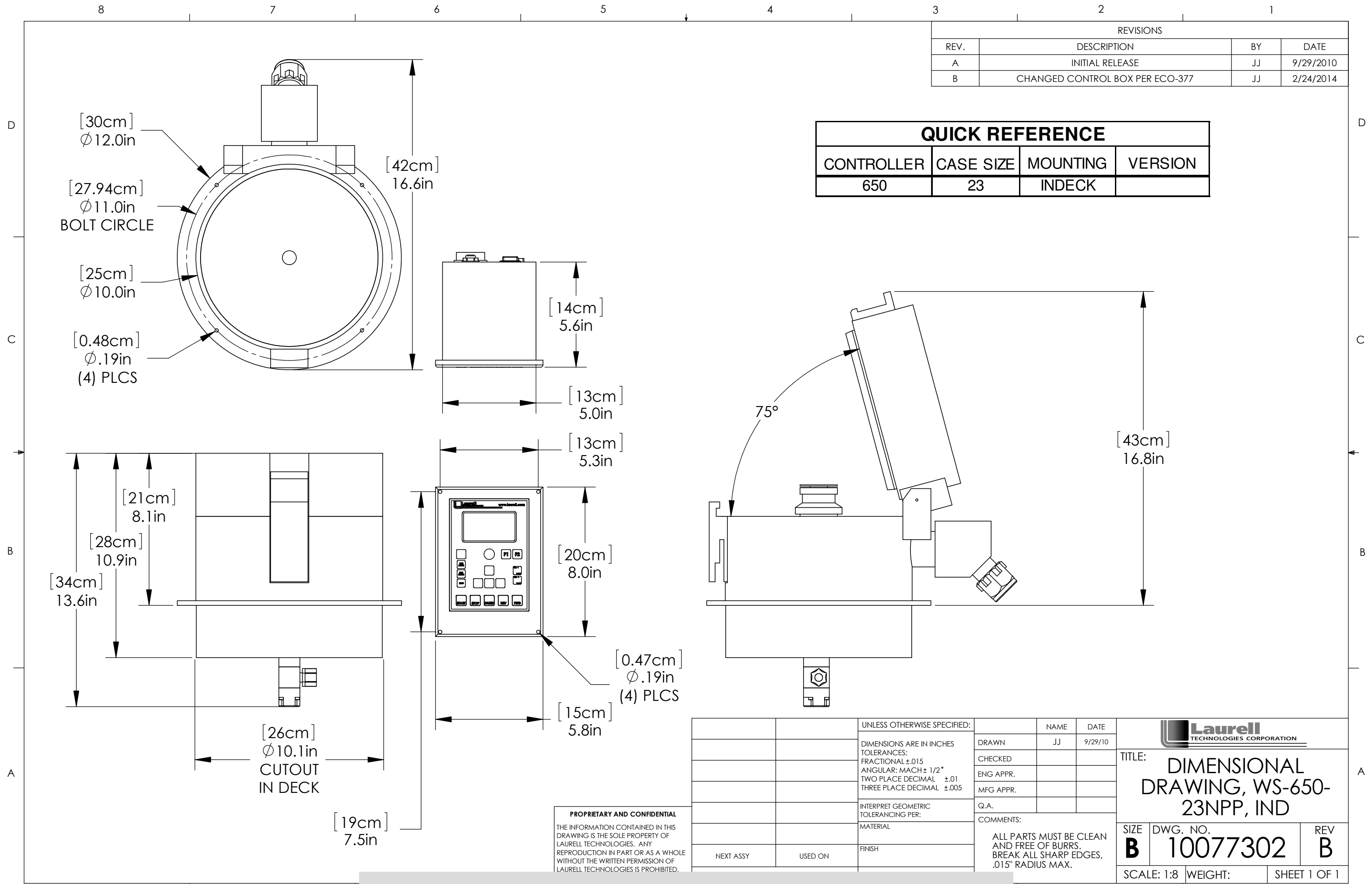
Laurell TECHNOLOGIES CORPORATION

TITLE: **DIMENSIONAL DRAWING, WS-650-15NPP, IND**

SIZE B	DWG. NO. 10077502	REV B
SCALE: 1:8	WEIGHT:	SHEET 1 OF 1

REVISIONS			
REV.	DESCRIPTION	BY	DATE
A	INITIAL RELEASE	JJ	9/29/2010
B	CHANGED CONTROL BOX PER ECO-377	JJ	2/24/2014

QUICK REFERENCE			
CONTROLLER	CASE SIZE	MOUNTING	VERSION
650	23	INDECK	



PROPRIETARY AND CONFIDENTIAL
 THE INFORMATION CONTAINED IN THIS DRAWING IS THE SOLE PROPERTY OF LAURELL TECHNOLOGIES. ANY REPRODUCTION IN PART OR AS A WHOLE WITHOUT THE WRITTEN PERMISSION OF LAURELL TECHNOLOGIES IS PROHIBITED.

UNLESS OTHERWISE SPECIFIED:		NAME	DATE
DIMENSIONS ARE IN INCHES		DRAWN	JJ 9/29/10
TOLERANCES:		CHECKED	
FRACTIONAL \pm .015		ENG APPR.	
ANGULAR: MACH \pm 1/2°		MFG APPR.	
TWO PLACE DECIMAL \pm .01		Q.A.	
THREE PLACE DECIMAL \pm .005		COMMENTS:	
INTERPRET GEOMETRIC TOLERANCING PER:		ALL PARTS MUST BE CLEAN AND FREE OF BURRS. BREAK ALL SHARP EDGES, .015" RADIUS MAX.	
MATERIAL			
FINISH			
NEXT ASSY	USED ON		

Laurell TECHNOLOGIES CORPORATION

TITLE: DIMENSIONAL DRAWING, WS-650-23NPP, IND

SIZE B	DWG. NO. 10077302	REV B
SCALE: 1:8	WEIGHT:	SHEET 1 OF 1