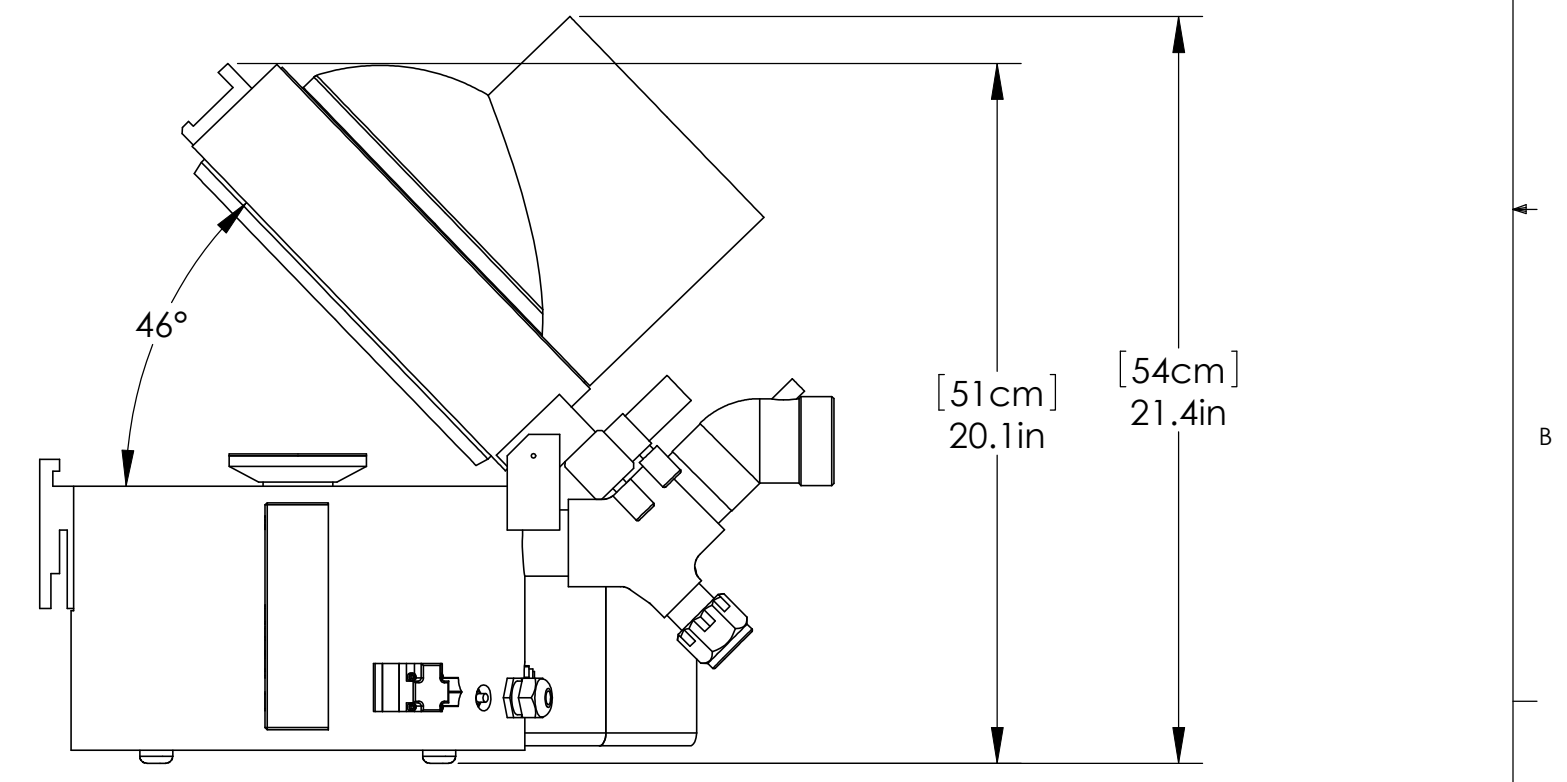
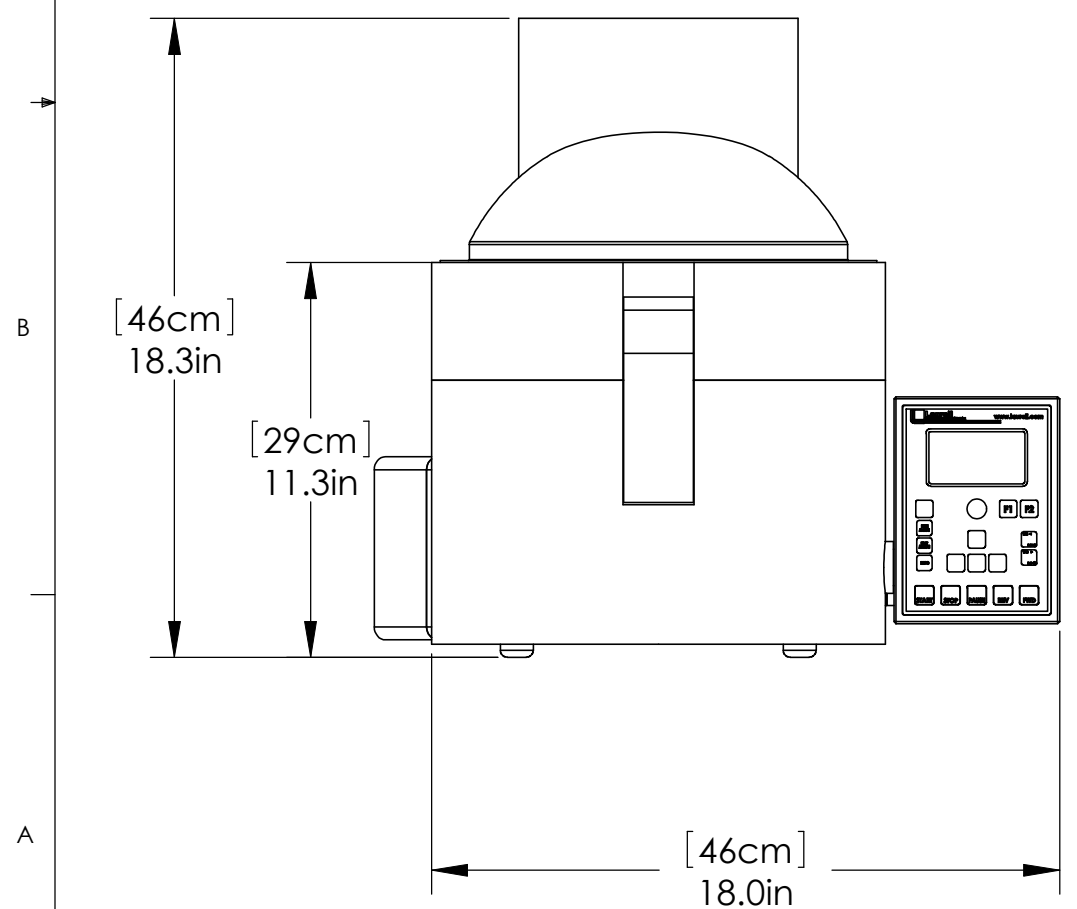
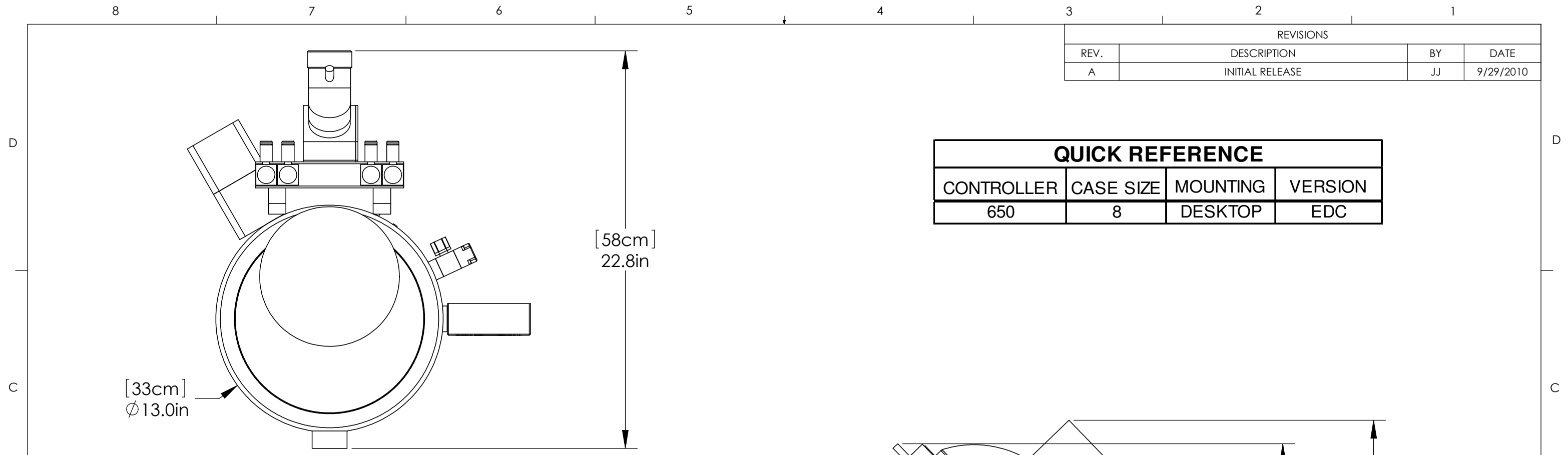


| REVISIONS | | | |
|-----------|-----------------|----|-----------|
| REV. | DESCRIPTION | BY | DATE |
| A | INITIAL RELEASE | JJ | 9/29/2010 |

| QUICK REFERENCE | | | |
|-----------------|-----------|----------|---------|
| CONTROLLER | CASE SIZE | MOUNTING | VERSION |
| 650 | 8 | DESKTOP | EDC |

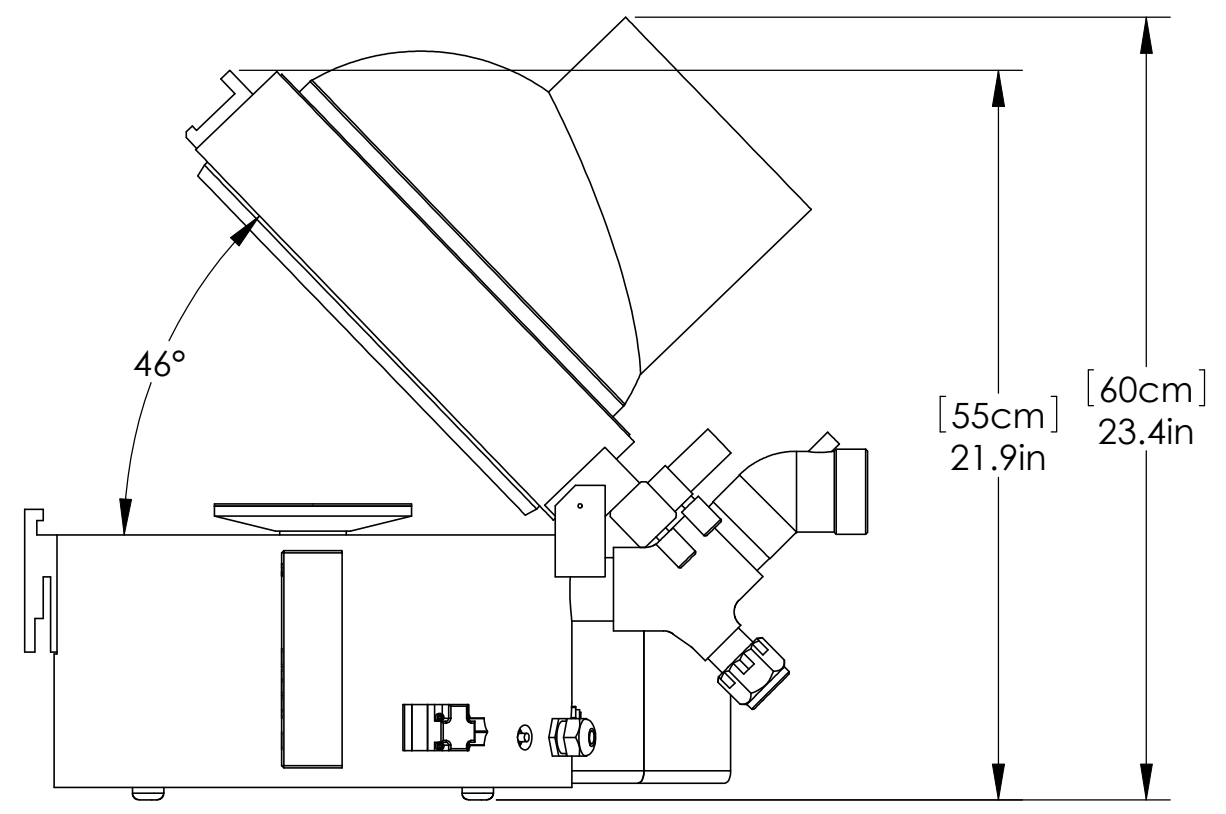
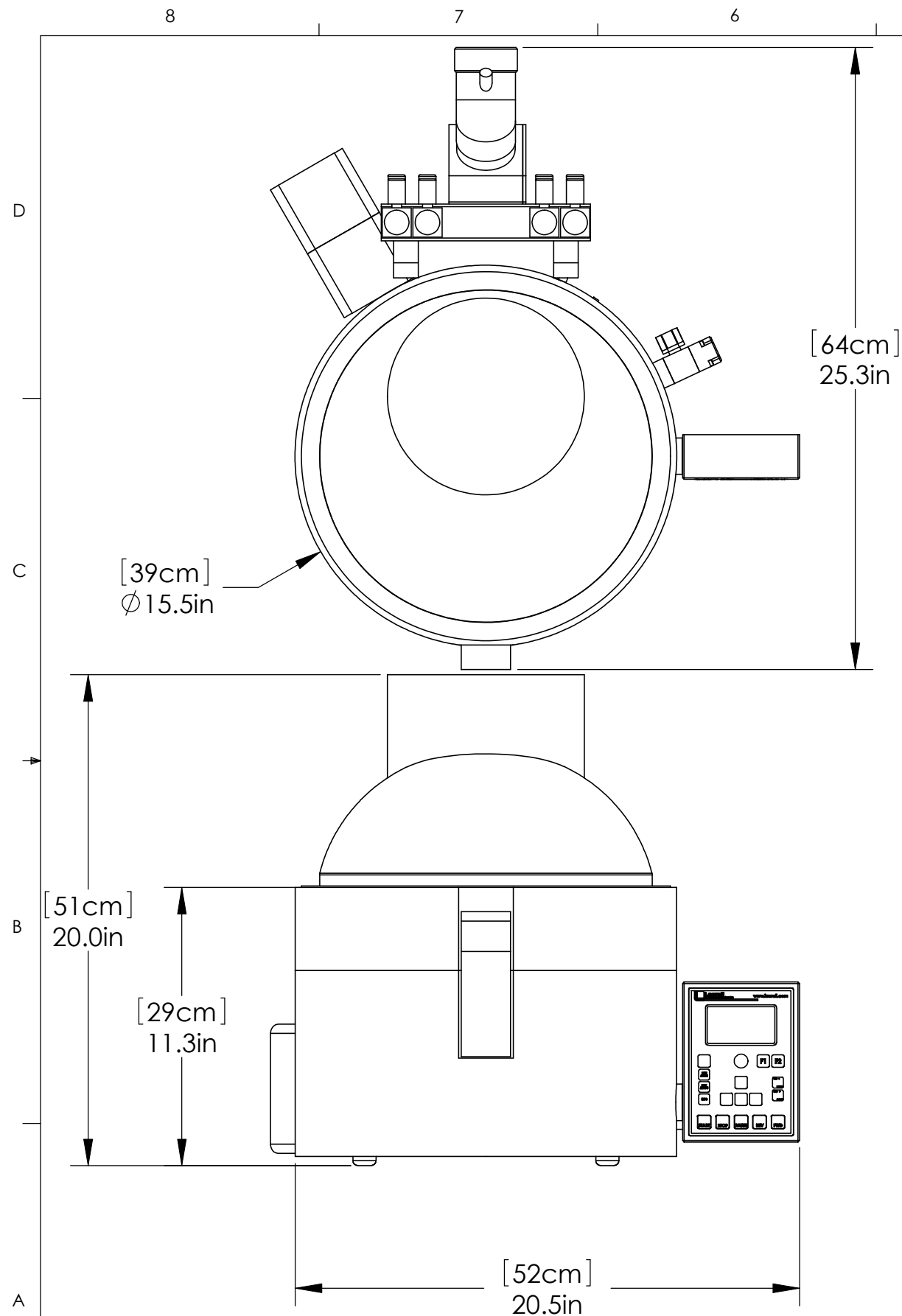


PROPRIETARY AND CONFIDENTIAL
 THE INFORMATION CONTAINED IN THIS DRAWING IS THE SOLE PROPERTY OF LAURELL TECHNOLOGIES. ANY REPRODUCTION IN PART OR AS A WHOLE WITHOUT THE WRITTEN PERMISSION OF LAURELL TECHNOLOGIES IS PROHIBITED.

| | | | | | |
|--------------------------------------|---------|---|------|---|--|
| UNLESS OTHERWISE SPECIFIED: | | NAME | DATE | | |
| DIMENSIONS ARE IN INCHES | | DRAWN | JJ | | TITLE: DIMENSIONAL DRAWING, EDC-650-8NPP |
| TOLERANCES: | | CHECKED | | | |
| FRACTIONAL ±.015 | | ENG APPR. | | | |
| ANGULAR: MACH ± 1/2° | | MFG APPR. | | | |
| TWO PLACE DECIMAL ±.01 | | Q.A. | | | |
| THREE PLACE DECIMAL ±.005 | | COMMENTS: | | SIZE B DWG. NO. 10077851 REV A | |
| INTERPRET GEOMETRIC TOLERANCING PER: | | ALL PARTS MUST BE CLEAN AND FREE OF BURRS. BREAK ALL SHARP EDGES, .015" RADIUS MAX. | | SCALE: 1:8 WEIGHT: SHEET 1 OF 1 | |
| MATERIAL | | | | | |
| NEXT ASSY | USED ON | FINISH | | | |

| REVISIONS | | | |
|-----------|-----------------|----|-----------|
| REV. | DESCRIPTION | BY | DATE |
| A | INITIAL RELEASE | JJ | 9/29/2010 |

| QUICK REFERENCE | | | |
|-----------------|-----------|----------|---------|
| CONTROLLER | CASE SIZE | MOUNTING | VERSION |
| 650 | 15 | DESKTOP | EDC |



PROPRIETARY AND CONFIDENTIAL
 THE INFORMATION CONTAINED IN THIS DRAWING IS THE SOLE PROPERTY OF LAURELL TECHNOLOGIES. ANY REPRODUCTION IN PART OR AS A WHOLE WITHOUT THE WRITTEN PERMISSION OF LAURELL TECHNOLOGIES IS PROHIBITED.

| UNLESS OTHERWISE SPECIFIED: | |
|--------------------------------------|---------|
| DIMENSIONS ARE IN INCHES | |
| TOLERANCES: | |
| FRACTIONAL ±.015 | |
| ANGULAR: MACH ± 1/2° | |
| TWO PLACE DECIMAL ±.01 | |
| THREE PLACE DECIMAL ±.005 | |
| INTERPRET GEOMETRIC TOLERANCING PER: | |
| MATERIAL | |
| FINISH | |
| NEXT ASSY | USED ON |

| | NAME | DATE |
|-----------|---|---------|
| DRAWN | JJ | 9/29/10 |
| CHECKED | | |
| ENG APPR. | | |
| MFG APPR. | | |
| Q.A. | | |
| COMMENTS: | ALL PARTS MUST BE CLEAN AND FREE OF BURRS. BREAK ALL SHARP EDGES, .015" RADIUS MAX. | |

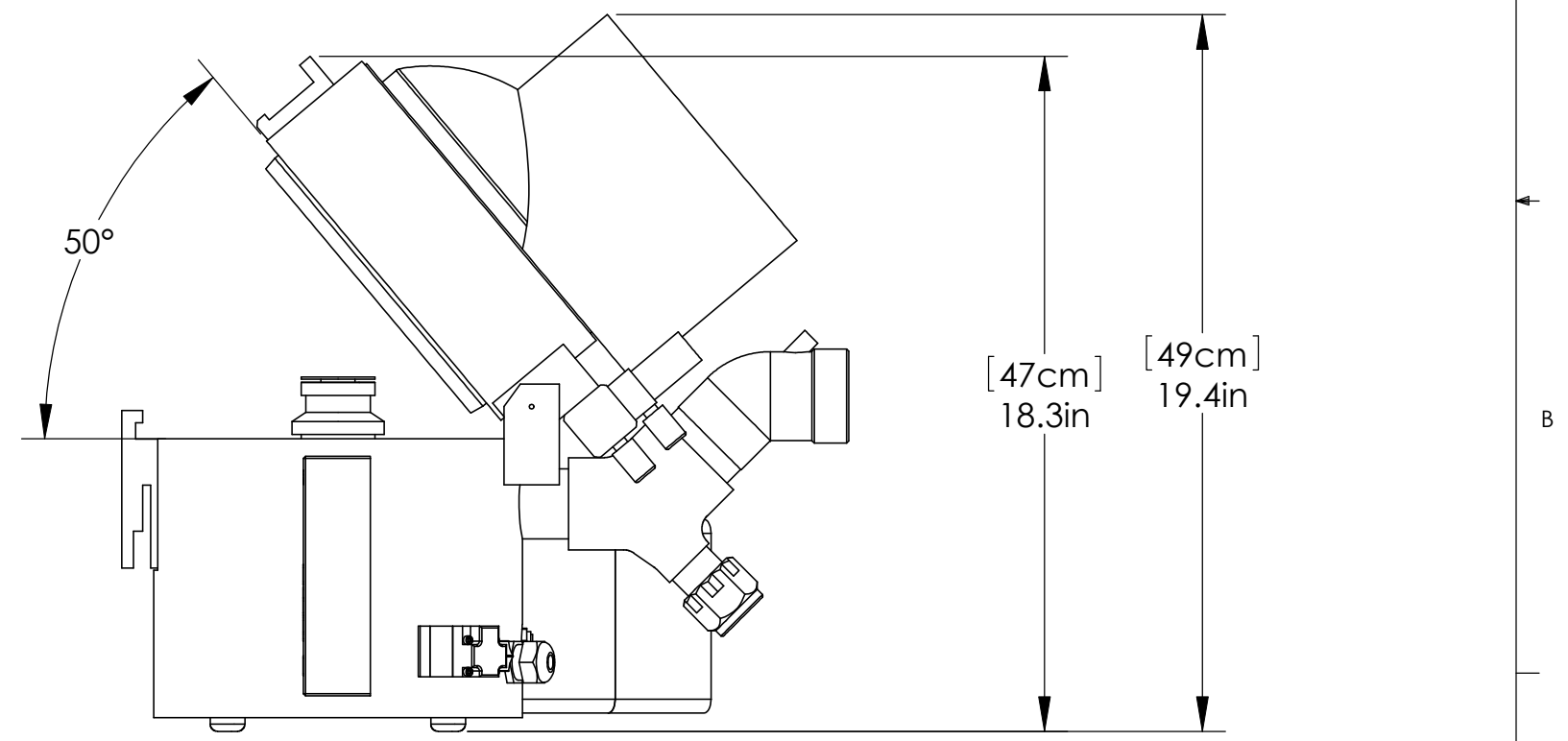
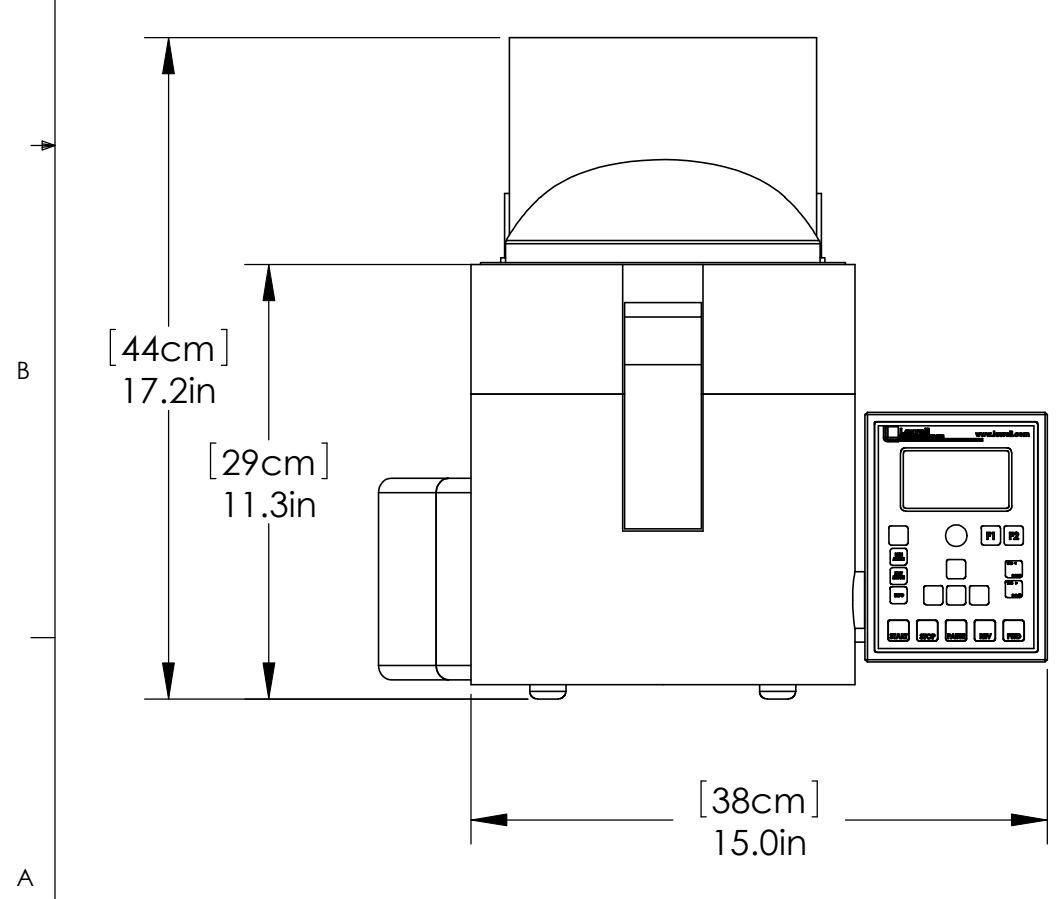
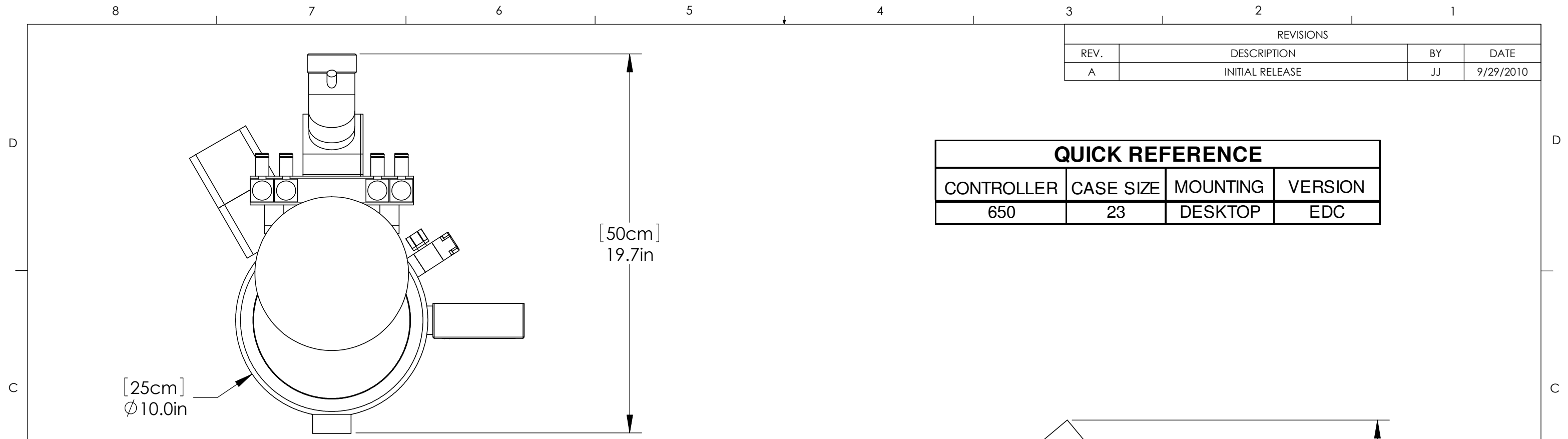
Laurell
 TECHNOLOGIES CORPORATION

TITLE: **DIMENSIONAL DRAWING, EDC-650-15NPP**

| | | |
|---------------|--------------------------|--------------|
| SIZE B | DWG. NO. 10077551 | REV A |
| SCALE: 1:8 | WEIGHT: | SHEET 1 OF 1 |

| REVISIONS | | | |
|-----------|-----------------|----|-----------|
| REV. | DESCRIPTION | BY | DATE |
| A | INITIAL RELEASE | JJ | 9/29/2010 |

| QUICK REFERENCE | | | |
|-----------------|-----------|----------|---------|
| CONTROLLER | CASE SIZE | MOUNTING | VERSION |
| 650 | 23 | DESKTOP | EDC |



PROPRIETARY AND CONFIDENTIAL
 THE INFORMATION CONTAINED IN THIS DRAWING IS THE SOLE PROPERTY OF LAURELL TECHNOLOGIES. ANY REPRODUCTION IN PART OR AS A WHOLE WITHOUT THE WRITTEN PERMISSION OF LAURELL TECHNOLOGIES IS PROHIBITED.

| | | | | | |
|--------------------------------------|----------|---|------|---|---|
| UNLESS OTHERWISE SPECIFIED: | | NAME | DATE | | |
| DIMENSIONS ARE IN INCHES | | DRAWN | JJ | | TITLE: DIMENSIONAL DRAWING, EDC-650-23NPP |
| TOLERANCES: | | CHECKED | | | |
| FRACTIONAL ±.015 | | ENG APPR. | | | |
| ANGULAR: MACH ± 1/2° | | MFG APPR. | | | |
| TWO PLACE DECIMAL ±.01 | | Q.A. | | SIZE DWG. NO. REV B 10077351 A | |
| THREE PLACE DECIMAL ±.005 | | COMMENTS: | | | |
| INTERPRET GEOMETRIC TOLERANCING PER: | MATERIAL | ALL PARTS MUST BE CLEAN AND FREE OF BURRS. BREAK ALL SHARP EDGES, .015" RADIUS MAX. | | SCALE: 1:8 | |
| FINISH | | | | WEIGHT: | |
| NEXT ASSY | USED ON | | | SHEET 1 OF 1 | |