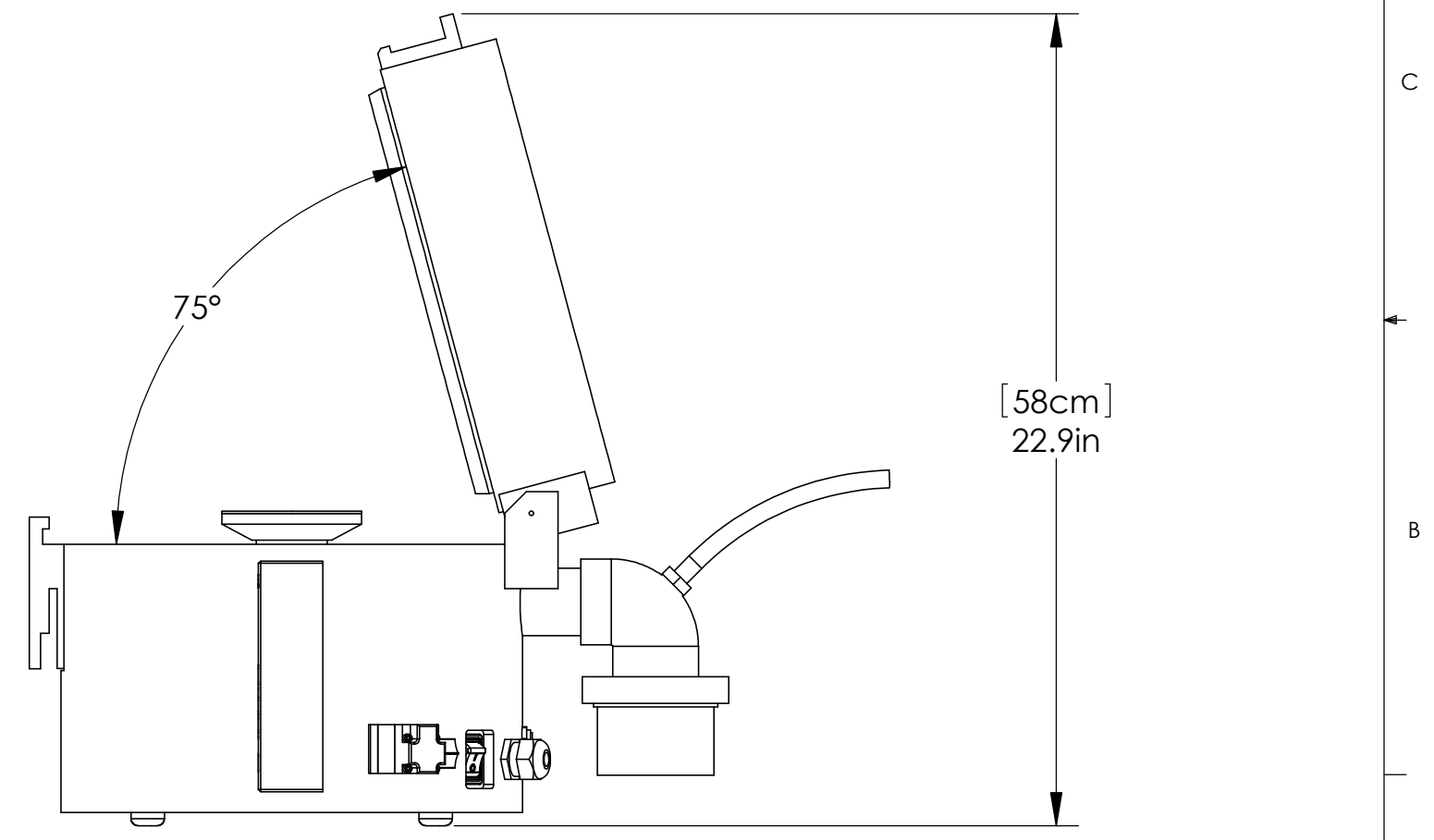
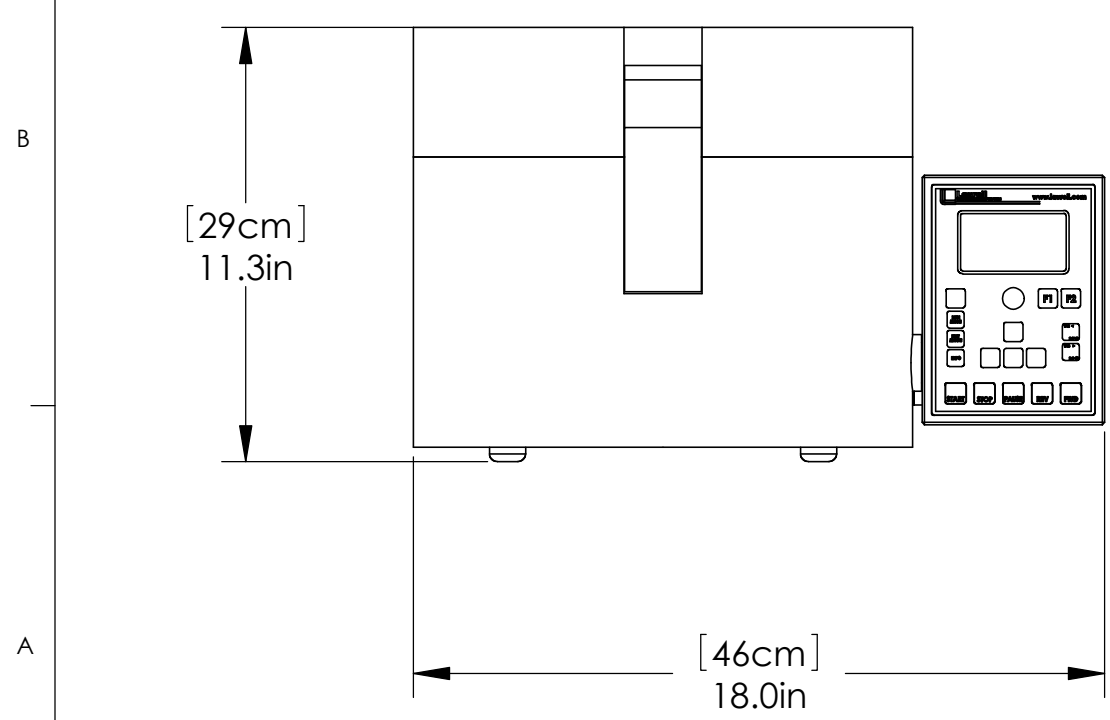
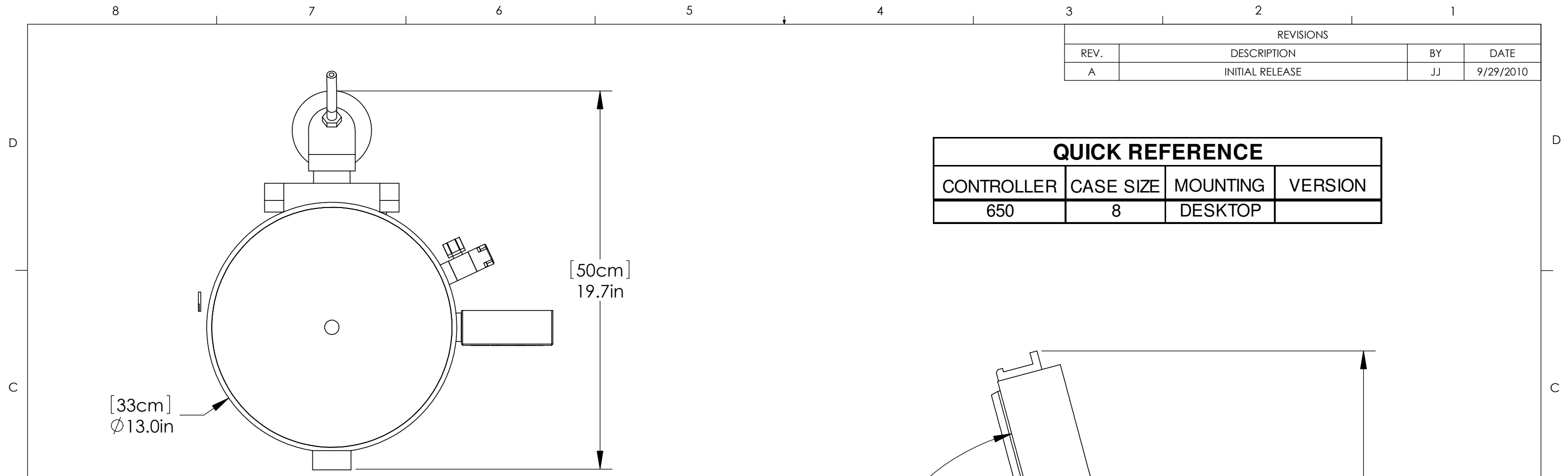


REVISIONS			
REV.	DESCRIPTION	BY	DATE
A	INITIAL RELEASE	JJ	9/29/2010

QUICK REFERENCE			
CONTROLLER	CASE SIZE	MOUNTING	VERSION
650	8	DESKTOP	



PROPRIETARY AND CONFIDENTIAL
 THE INFORMATION CONTAINED IN THIS DRAWING IS THE SOLE PROPERTY OF LAURELL TECHNOLOGIES. ANY REPRODUCTION IN PART OR AS A WHOLE WITHOUT THE WRITTEN PERMISSION OF LAURELL TECHNOLOGIES IS PROHIBITED.

UNLESS OTHERWISE SPECIFIED:		NAME	DATE
DIMENSIONS ARE IN INCHES		DRAWN	JJ 9/29/10
TOLERANCES:		CHECKED	
FRACTIONAL: ±.015		ENG APPR.	
ANGULAR: MACH ± 1/2°		MFG APPR.	
TWO PLACE DECIMAL ±.01		Q.A.	
THREE PLACE DECIMAL ±.005		COMMENTS:	
INTERPRET GEOMETRIC TOLERANCING PER:		ALL PARTS MUST BE CLEAN AND FREE OF BURRS. BREAK ALL SHARP EDGES, .015" RADIUS MAX.	
MATERIAL			
FINISH			
NEXT ASSY	USED ON		

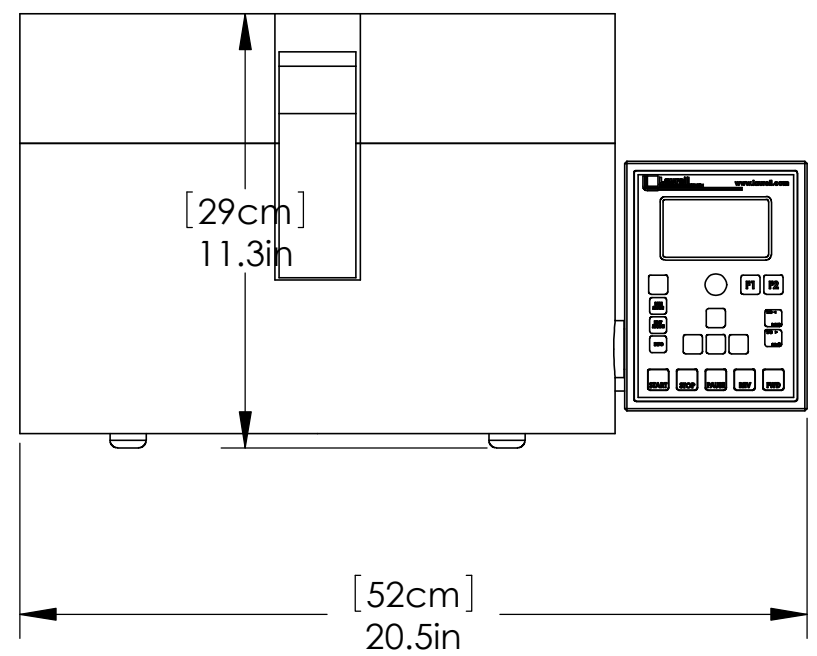
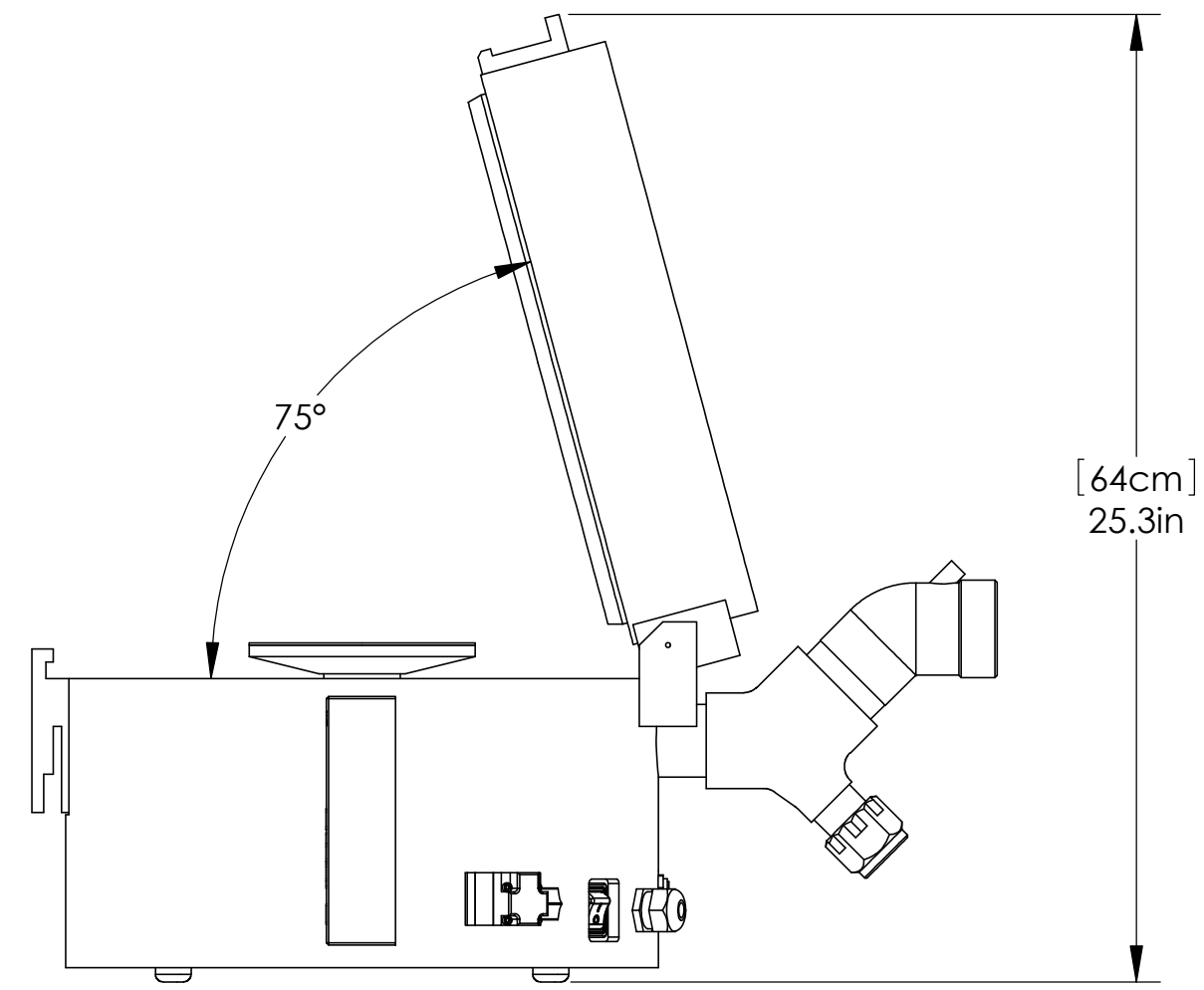
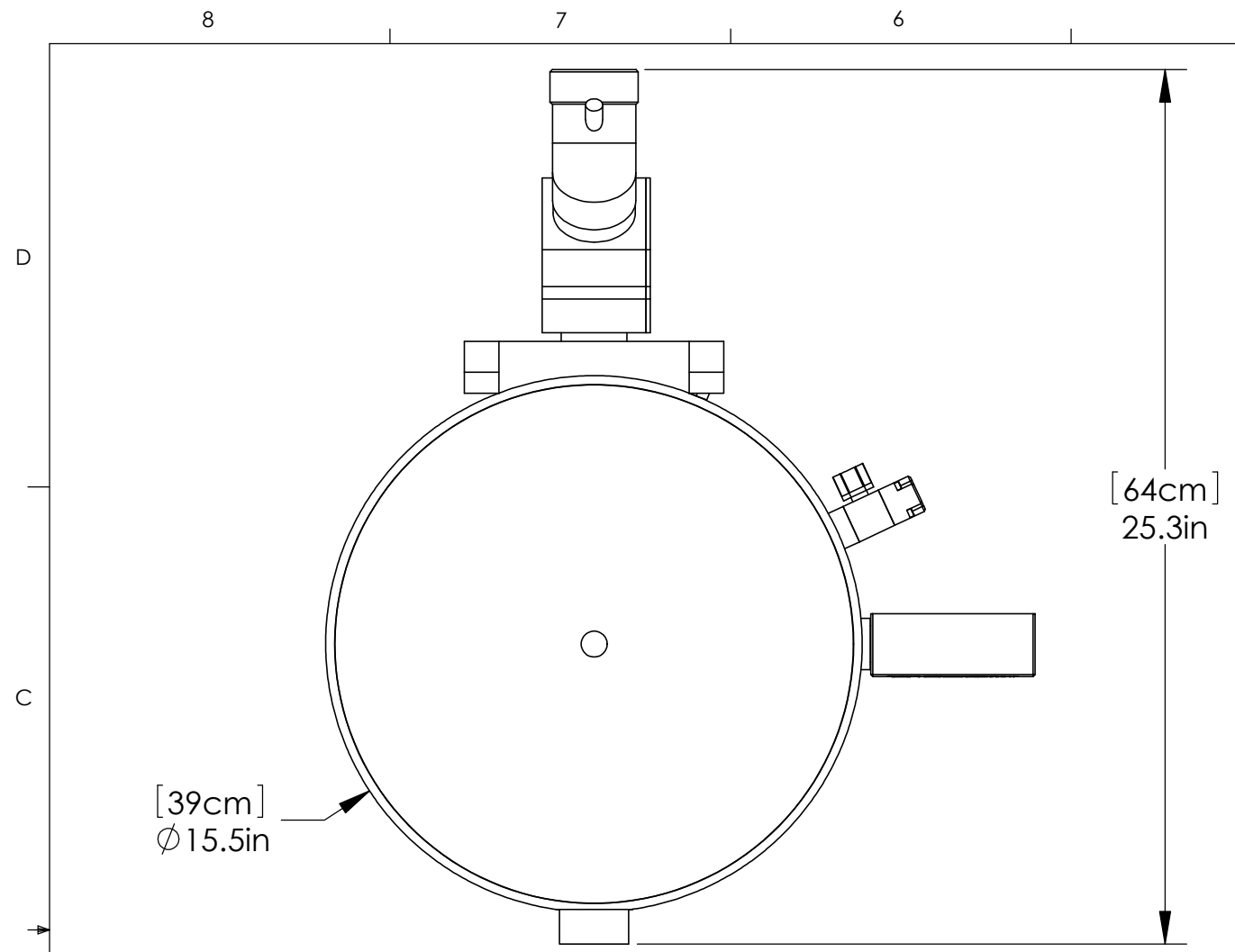
Laurell
 TECHNOLOGIES CORPORATION

TITLE: **DIMENSIONAL DRAWING, WS-650-8NPP**

SIZE B	DWG. NO. 10077801	REV A
SCALE: 1:8	WEIGHT:	SHEET 1 OF 1

REVISIONS			
REV.	DESCRIPTION	BY	DATE
A	INITIAL RELEASE	JJ	9/29/2010

QUICK REFERENCE			
CONTROLLER	CASE SIZE	MOUNTING	VERSION
650	15	DESKTOP	



PROPRIETARY AND CONFIDENTIAL
 THE INFORMATION CONTAINED IN THIS DRAWING IS THE SOLE PROPERTY OF LAURELL TECHNOLOGIES. ANY REPRODUCTION IN PART OR AS A WHOLE WITHOUT THE WRITTEN PERMISSION OF LAURELL TECHNOLOGIES IS PROHIBITED.

UNLESS OTHERWISE SPECIFIED:	
DIMENSIONS ARE IN INCHES	
TOLERANCES:	
FRACTIONAL ±.015	
ANGULAR: MACH ± 1/2°	
TWO PLACE DECIMAL ±.01	
THREE PLACE DECIMAL ±.005	
INTERPRET GEOMETRIC TOLERANCING PER:	
MATERIAL	
FINISH	
NEXT ASSY	USED ON

	NAME	DATE
DRAWN	JJ	9/29/10
CHECKED		
ENG APPR.		
MFG APPR.		
Q.A.		
COMMENTS:	ALL PARTS MUST BE CLEAN AND FREE OF BURRS. BREAK ALL SHARP EDGES, .015" RADIUS MAX.	

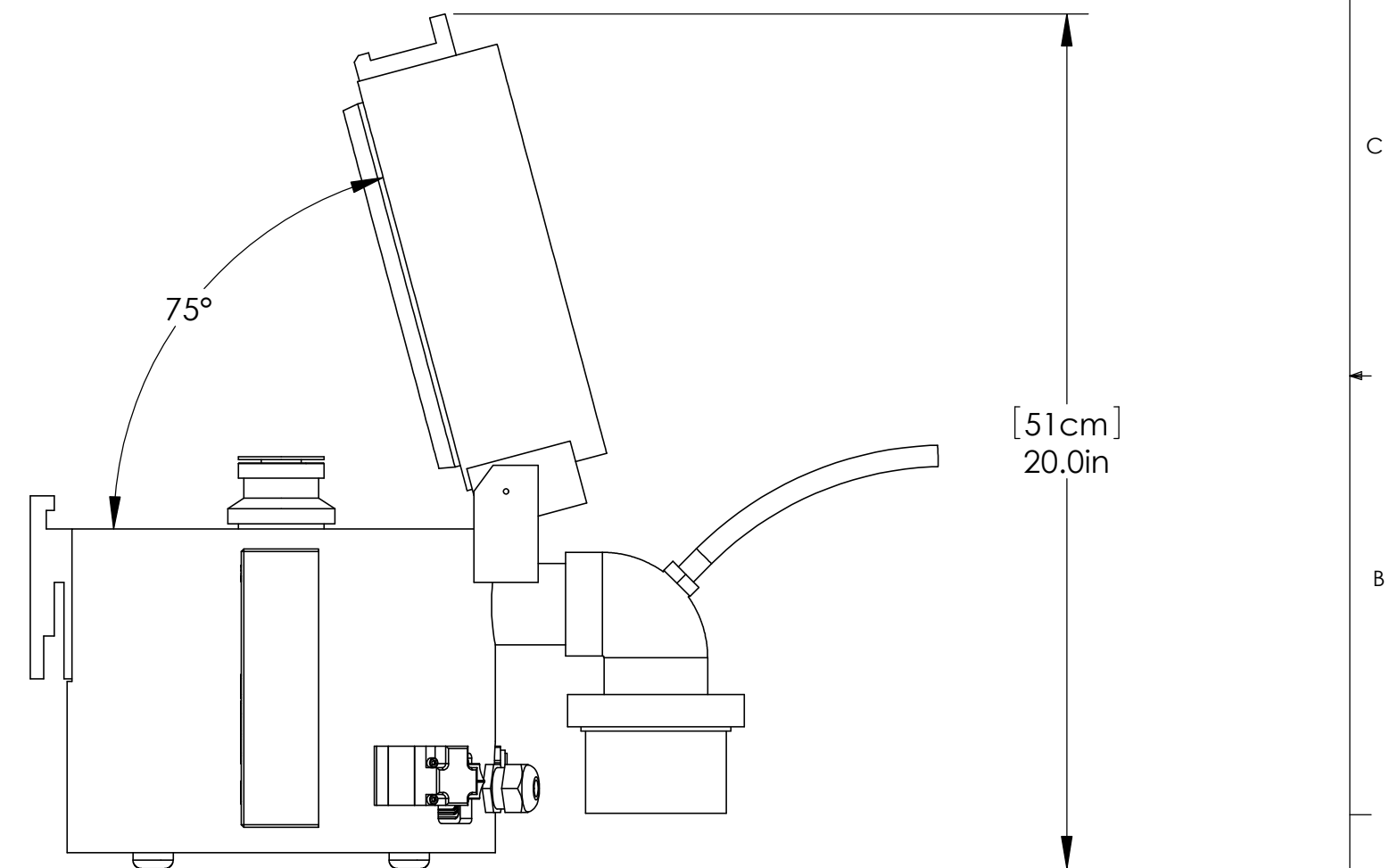
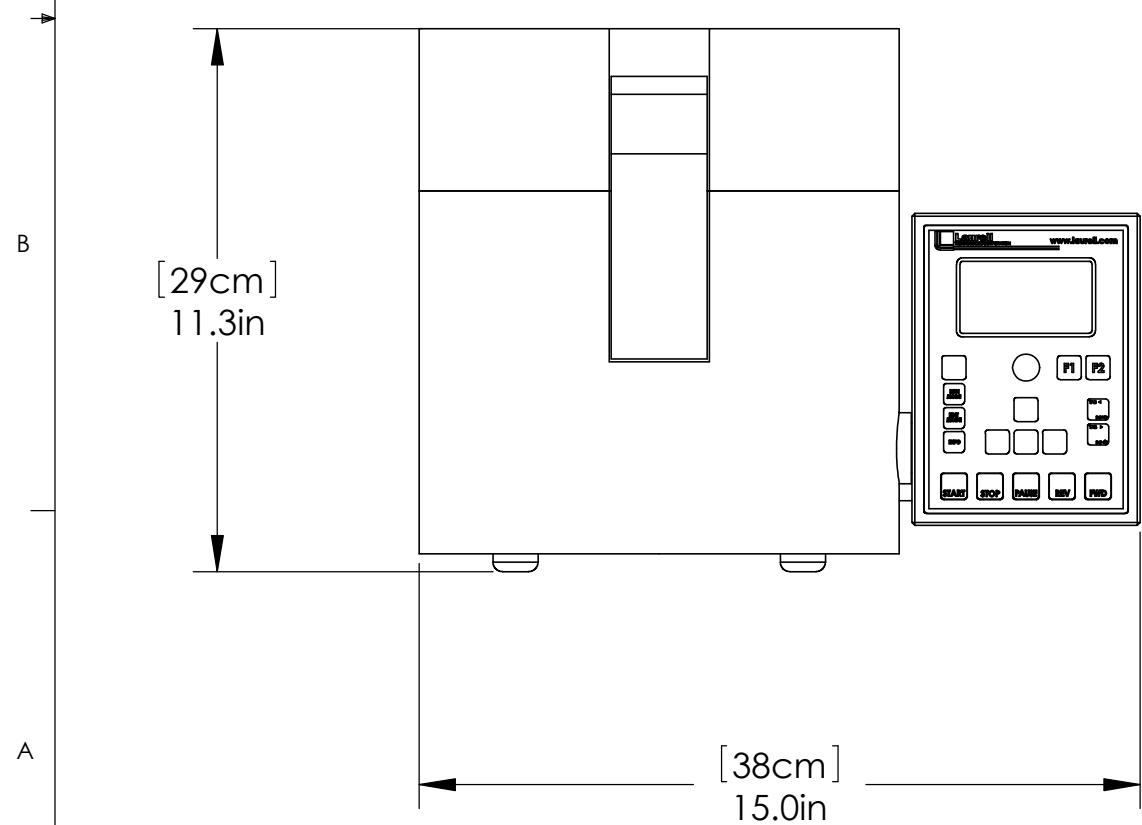
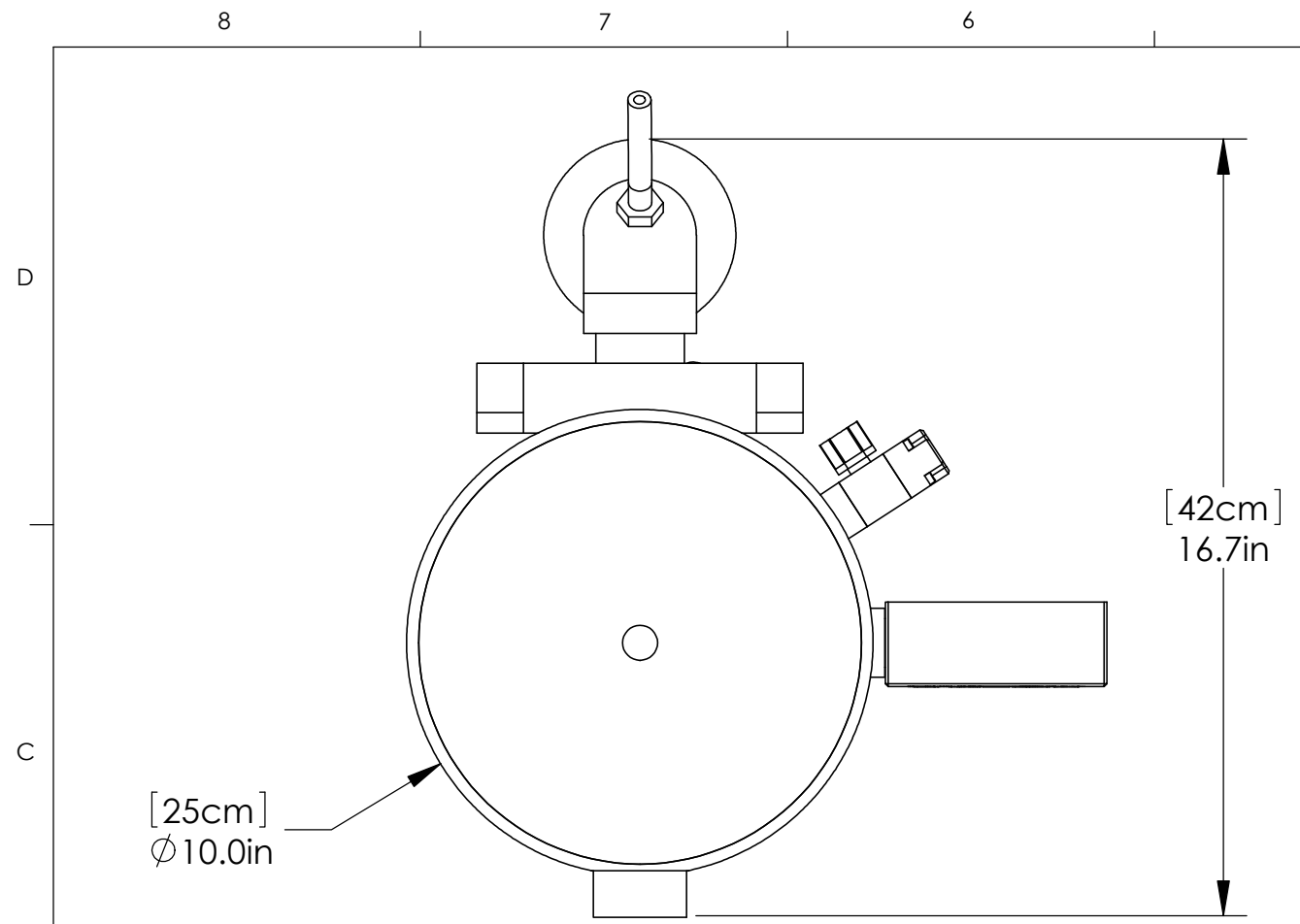
Laurell
 TECHNOLOGIES CORPORATION

TITLE: **DIMENSIONAL DRAWING, WS-650-15NPP**

SIZE B	DWG. NO. 10077501	REV A
SCALE: 1:8	WEIGHT:	SHEET 1 OF 1

REVISIONS			
REV.	DESCRIPTION	BY	DATE
A	INITIAL RELEASE	JJ	9/29/2010

QUICK REFERENCE			
CONTROLLER	CASE SIZE	MOUNTING	VERSION
650	23	DESKTOP	



PROPRIETARY AND CONFIDENTIAL
 THE INFORMATION CONTAINED IN THIS DRAWING IS THE SOLE PROPERTY OF LAURELL TECHNOLOGIES. ANY REPRODUCTION IN PART OR AS A WHOLE WITHOUT THE WRITTEN PERMISSION OF LAURELL TECHNOLOGIES IS PROHIBITED.

UNLESS OTHERWISE SPECIFIED:	
DIMENSIONS ARE IN INCHES	
TOLERANCES:	
FRACTIONAL ±.015	
ANGULAR: MACH ± 1/2°	
TWO PLACE DECIMAL ±.01	
THREE PLACE DECIMAL ±.005	
INTERPRET GEOMETRIC TOLERANCING PER:	
MATERIAL	
FINISH	
NEXT ASSY	USED ON

	NAME	DATE
DRAWN	JJ	9/29/10
CHECKED		
ENG APPR.		
MFG APPR.		
Q.A.		
COMMENTS:	ALL PARTS MUST BE CLEAN AND FREE OF BURRS. BREAK ALL SHARP EDGES, .015" RADIUS MAX.	

Laurell
 TECHNOLOGIES CORPORATION

TITLE: **DIMENSIONAL DRAWING, WS-650-23NPP**

SIZE B	DWG. NO. 10077301	REV A
SCALE: 1:8	WEIGHT:	SHEET 1 OF 1