



WR-51 Square Cover Flange to SMA Female Waveguide to Coax Adapter, 15 GHz to 22 GHz, N Band, Aluminum, Paint

Waveguide to Coax Adapters Technical Data Sheet

PEWCA1027

**Features**

- N Band
- 15 to 22 GHz Frequency Range
- WR-51 Waveguide Interface
- Square Cover Flange
- SMA Female RF Interface
- Right Angle

**Applications**

- Test Benches
- Radar
- Satellite
- Microwave Radio Systems
- Military and Space
- Communication Systems

**Description**

The PEWCA1027 is a waveguide to coaxial adapter operating in the N Band with a 15 to 22 GHz frequency range. This adapter offers a WR-51 waveguide interface size using a standard Square Cover Flange. The PEWCA1027 is constructed of Aluminum Alloy and painted to ensure durability. The coaxial connector offered by this adapter uses a SMA Female Connector.

**Configuration**

Waveguide Size	WR-51
Flange	Square Cover
RF Connector	SMA Female
Impedance	50 Ohms
Body Geometry	Right Angle

**Electrical Specifications**

Description	Minimum	Typical	Maximum	Units
Frequency Range	15		22	GHz
VSWR		1.25:1		

**Mechanical Specifications**

<b>RF Connector</b>	
Connector Type	SMA Female
<b>Waveguide Interface</b>	
Waveguide Type	WR-51
Flange Type	Square Cover
Body Material and Plating	Aluminum, Paint

Click the following link (or enter part number in "SEARCH" on website) to obtain additional part information including price, inventory and certifications: [WR-51 Square Cover Flange to SMA Female Waveguide to Coax Adapter, 15 GHz to 22 GHz, N Band, Aluminum, Paint PEWCA1027](#)



WR-51 Square Cover Flange to SMA Female Waveguide to Coax Adapter, 15 GHz to 22 GHz, N Band, Aluminum, Paint

Waveguide to Coax Adapters Technical Data Sheet

PEWCA1027

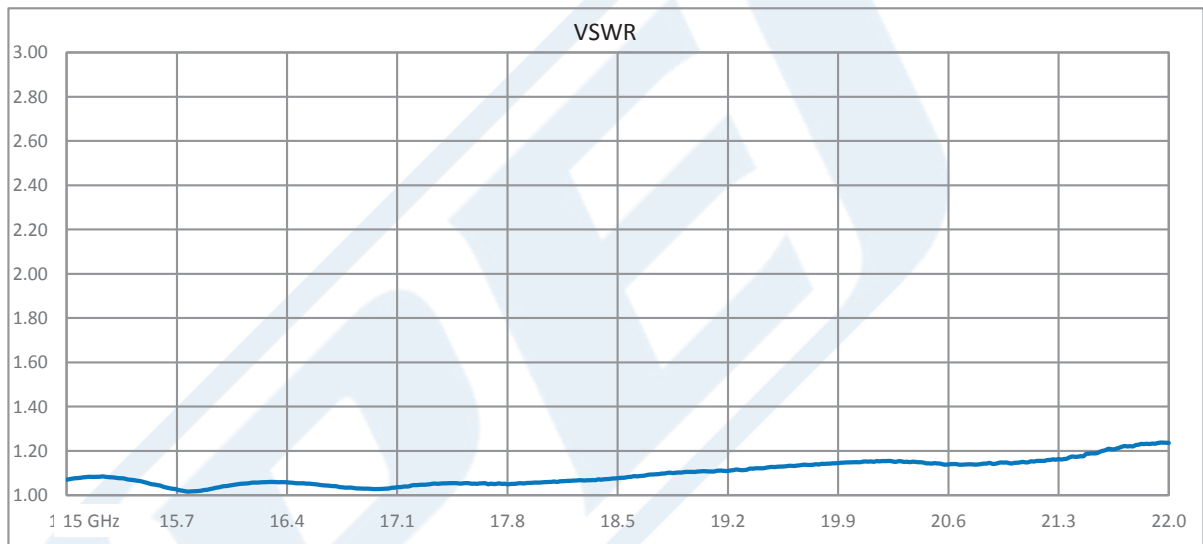
**Compliance Certifications** (see [product page](#) for current document)

**Plotted and Other Data**

Notes:

- Values at +25 °C, sea level unless stated otherwise

**Typical Performance Data**



WR-51 Square Cover Flange to SMA Female Waveguide to Coax Adapter, 15 GHz to 22 GHz, N Band, Aluminum, Paint from Pasternack Enterprises has same day shipment for domestic and International orders. Our RF, microwave and millimeter wave products maintain a 99.4% availability and are part of the broadest selection in the industry.

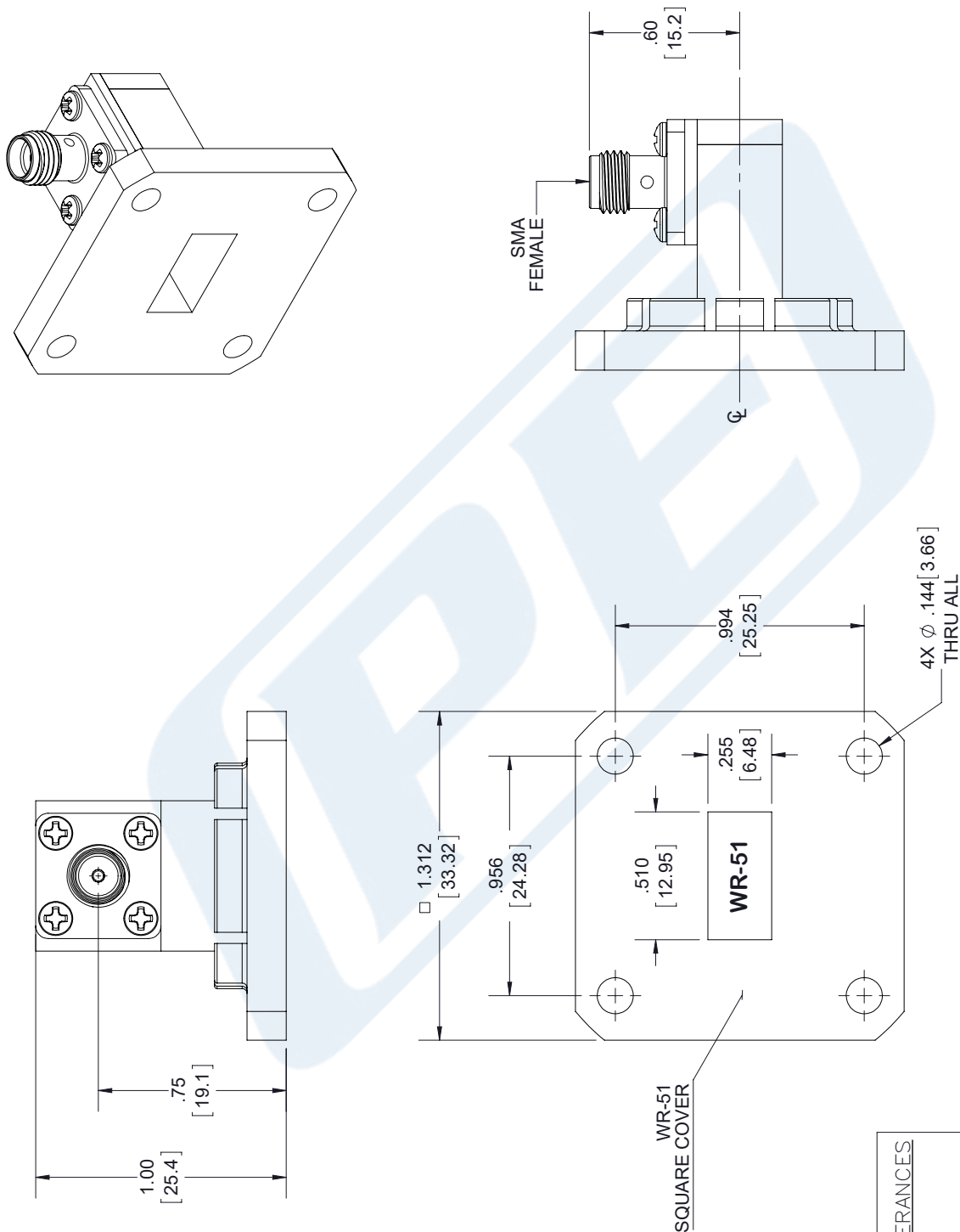
Click the following link (or enter part number in "SEARCH" on website) to obtain additional part information including price, inventory and certifications: [WR-51 Square Cover Flange to SMA Female Waveguide to Coax Adapter, 15 GHz to 22 GHz, N Band, Aluminum, Paint PEWCA1027](#)

URL: <https://www.pasternack.com/wr51-square-flange-to-sma-female-waveguide-coax-adapter-22-ghz-pewca1027-p.aspx>

The information contained in this document is accurate to the best of our knowledge and representative of the part described herein. It may be necessary to make modifications to the part and/or the documentation of the part, in order to implement improvements. Pasternack reserves the right to make such changes as required. Unless otherwise stated, all specifications are nominal. Pasternack does not make any representation or warranty regarding the suitability of the part described herein for any particular purpose, and Pasternack does not assume any liability arising out of the use of any part or documentation.

# PEWCA1027 CAD Drawing

WR-51 Square Cover Flange to SMA Female Waveguide to Coax Adapter, 15 GHz to 22 GHz, N Band, Aluminum, Paint



STANDARD TOLERANCES	
.X	±0.2
.XX	±0.01
.XXX	±0.005

\*STANDARD TOLERANCES APPLY ONLY TO DIMENSIONS IN INCHES



THE ENGINEER'S RF SOURCE  
Pasternack Enterprises, Inc.  
P.O. Box 16759 | Irvine | CA | 92623

Phone: (949) 261-1920 | Fax: (949) 261-7451  
Website: www.pasternack.com | E-Mail: sales@pasternack.com

DWG TITLE  
**PEWCA1027**

CAGE CODE **53919**

NOTES:  
1. UNLESS OTHERWISE SPECIFIED ALL DIMENSIONS ARE NOMINAL.  
2. ALL SPECIFICATIONS ARE SUBJECT TO CHANGE WITHOUT NOTICE AT ANY TIME  
3. DIMENSIONS ARE IN INCHES [mm].

CAD FILE 100417

SCALE N/A

SIZE A

7361