



WR-90 CPR-90G Grooved Flange to Type N Male Waveguide to Coax Adapter, 8.2 GHz to 12.4 GHz, X Band, Aluminum, Paint

Waveguide to Coax Adapters Technical Data Sheet

PEWCA1035

Features

- X Band
- 8.2 to 12.4 GHz Frequency Range
- WR-90 Waveguide Interface
- CPR-90G Flange
- N Male RF Interface
- Right Angle

Applications

- Test Benches
- Radar
- Satellite
- Microwave Radio Systems
- Military and Space
- Communication Systems

Description

The PEWCA1035 is a waveguide to coaxial adapter operating in the X Band with a 8.2 to 12.4 GHz frequency range. This adapter offers a WR-90 waveguide interface size using a standard CPR-90G Flange. The PEWCA1035 is constructed of Aluminum Alloy and painted to ensure durability. The coaxial connector offered by this adapter uses a N Male Connector.

Configuration

Waveguide Size	WR-90
Flange	CPR-90G
RF Connector	N Male
Impedance	50 Ohms
Body Geometry	Right Angle

Electrical Specifications

Description	Minimum	Typical	Maximum	Units
Frequency Range	8.2		12.4	GHz
VSWR		1.25:1		

Mechanical Specifications

RF Connector	
Connector Type	N Male
Waveguide Interface	
Waveguide Type	WR-90
Flange Type	CPR-90G
Body Material and Plating	Aluminum, Paint

Click the following link (or enter part number in "SEARCH" on website) to obtain additional part information including price, inventory and certifications: [WR-90 CPR-90G Grooved Flange to Type N Male Waveguide to Coax Adapter, 8.2 GHz to 12.4 GHz, X Band, Aluminum, Paint PEWCA1035](#)



WR-90 CPR-90G Grooved Flange to Type N Male Waveguide to Coax Adapter, 8.2 GHz to 12.4 GHz, X Band, Aluminum, Paint

Waveguide to Coax Adapters Technical Data Sheet

PEWCA1035

Compliance Certifications (see [product page](#) for current document)

Plotted and Other Data

Notes:

- Values at +25 °C, sea level unless stated otherwise

WR-90 CPR-90G Grooved Flange to Type N Male Waveguide to Coax Adapter, 8.2 GHz to 12.4 GHz, X Band, Aluminum, Paint from Pasternack Enterprises has same day shipment for domestic and International orders. Our RF, microwave and millimeter wave products maintain a 99.4% availability and are part of the broadest selection in the industry.

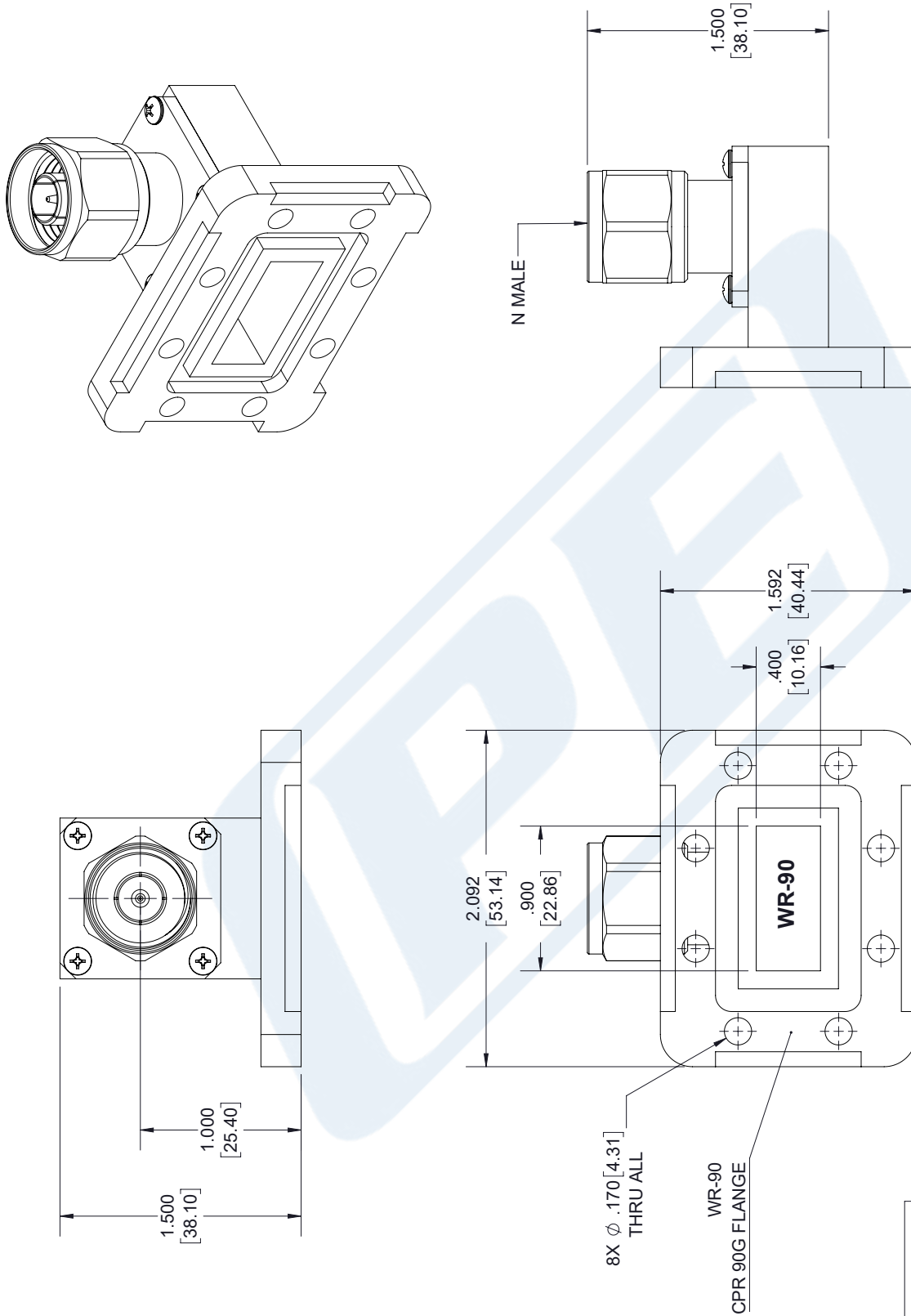
Click the following link (or enter part number in "SEARCH" on website) to obtain additional part information including price, inventory and certifications: [WR-90 CPR-90G Grooved Flange to Type N Male Waveguide to Coax Adapter, 8.2 GHz to 12.4 GHz, X Band, Aluminum, Paint PEWCA1035](#)

URL: <https://www.pasternack.com/wr90-cpr-90g-grooved-flange-to-type-n-male-waveguide-coax-adapter-pewca1035-p.aspx>

The information contained in this document is accurate to the best of our knowledge and representative of the part described herein. It may be necessary to make modifications to the part and/or the documentation of the part, in order to implement improvements. Pasternack reserves the right to make such changes as required. Unless otherwise stated, all specifications are nominal. Pasternack does not make any representation or warranty regarding the suitability of the part described herein for any particular purpose, and Pasternack does not assume any liability arising out of the use of any part or documentation.

PEWCA1035 CAD Drawing

WR-90 CPR-90G Grooved Flange to Type N Male Waveguide to Coax Adapter, 8.2 GHz to 12.4 GHz, X Band, Aluminum, Paint



STANDARD TOLERANCES	
.X	±0.2
.XX	±0.01
.XXX	±0.005

*STANDARD TOLERANCES APPLY ONLY TO DIMENSIONS IN INCHES

<p>PE PASTERNAK® THE ENGINEER'S RF SOURCE Pasternack Enterprises, Inc. P.O. Box 16759 Irvine CA 92623 Phone: (949) 261-1920 Fax: (949) 261-7451 Website: www.pasternack.com E-Mail: sales@pasternack.com</p>	<p>DWG TITLE PEWCA1035</p>		<p>NOTES: 1. UNLESS OTHERWISE SPECIFIED ALL DIMENSIONS ARE NOMINAL. 2. ALL SPECIFICATIONS ARE SUBJECT TO CHANGE WITHOUT NOTICE AT ANY TIME. 3. DIMENSIONS ARE IN INCHES [mm].</p>	
	<p>CAGE CODE 53919</p>	<p>CAD FILE 10/02/18</p>	<p>SCALE N/A</p>	<p>SIZE A</p>