



WR-112 UG-138/U Square Cover Flange to SMA  
Female Waveguide to Coax Adapter, 7.05 GHz  
to 10 GHz, H Band, Aluminum, Paint

Waveguide to Coax Adapters Technical Data Sheet

PEWCA1040

**Features**

- H Band
- 7.05 to 10 GHz Frequency Range
- WR-112 Waveguide Interface
- UG-138/U Square Cover Flange
- SMA Female RF Interface
- Right Angle

**Applications**

- Test Benches
- Radar
- Satellite
- Microwave Radio Systems
- Military and Space
- Communication Systems

**Description**

The PEWCA1040 is a waveguide to coaxial adapter operating in the H Band with a 7.05 to 10 GHz frequency range. This adapter offers a WR-112 waveguide interface size using a standard UG-138/U Square Cover Flange. The PEWCA1040 is constructed of Aluminum Alloy and painted to ensure durability. The coaxial connector offered by this adapter uses a SMA Female Connector.

**Configuration**

Waveguide Size	WR-112
Flange	UG-138/U Square Cover
RF Connector	SMA Female
Impedance	50 Ohms
Body Geometry	Right Angle

**Electrical Specifications**

Description	Minimum	Typical	Maximum	Units
Frequency Range	7.05		10	GHz
VSWR		1.25:1		

**Mechanical Specifications**

<b>RF Connector</b>	
Connector Type	SMA Female
<b>Waveguide Interface</b>	
Waveguide Type	WR-112
Flange Type	Square Cover
Flange Designation	UG-138/U
Body Material and Plating	Aluminum, Paint

Click the following link (or enter part number in "SEARCH" on website) to obtain additional part information including price, inventory and certifications: [WR-112 UG-138/U Square Cover Flange to SMA Female Waveguide to Coax Adapter, 7.05 GHz to 10 GHz, H Band, Aluminum, Paint PEWCA1040](#)



WR-112 UG-138/U Square Cover Flange to SMA  
Female Waveguide to Coax Adapter, 7.05 GHz  
to 10 GHz, H Band, Aluminum, Paint

Waveguide to Coax Adapters Technical Data Sheet

PEWCA1040

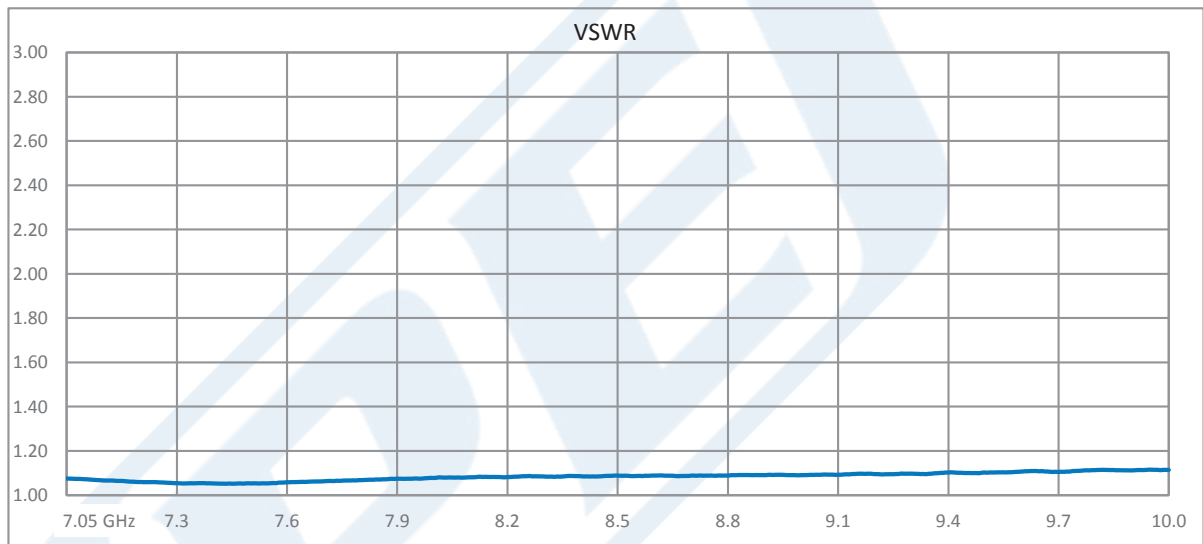
**Compliance Certifications** (see [product page](#) for current document)

**Plotted and Other Data**

Notes:

- Values at +25 °C, sea level unless stated otherwise

**Typical Performance Data**



WR-112 UG-138/U Square Cover Flange to SMA Female Waveguide to Coax Adapter, 7.05 GHz to 10 GHz, H Band, Aluminum, Paint from Pasternack Enterprises has same day shipment for domestic and International orders. Our RF, microwave and millimeter wave products maintain a 99.4% availability and are part of the broadest selection in the industry.

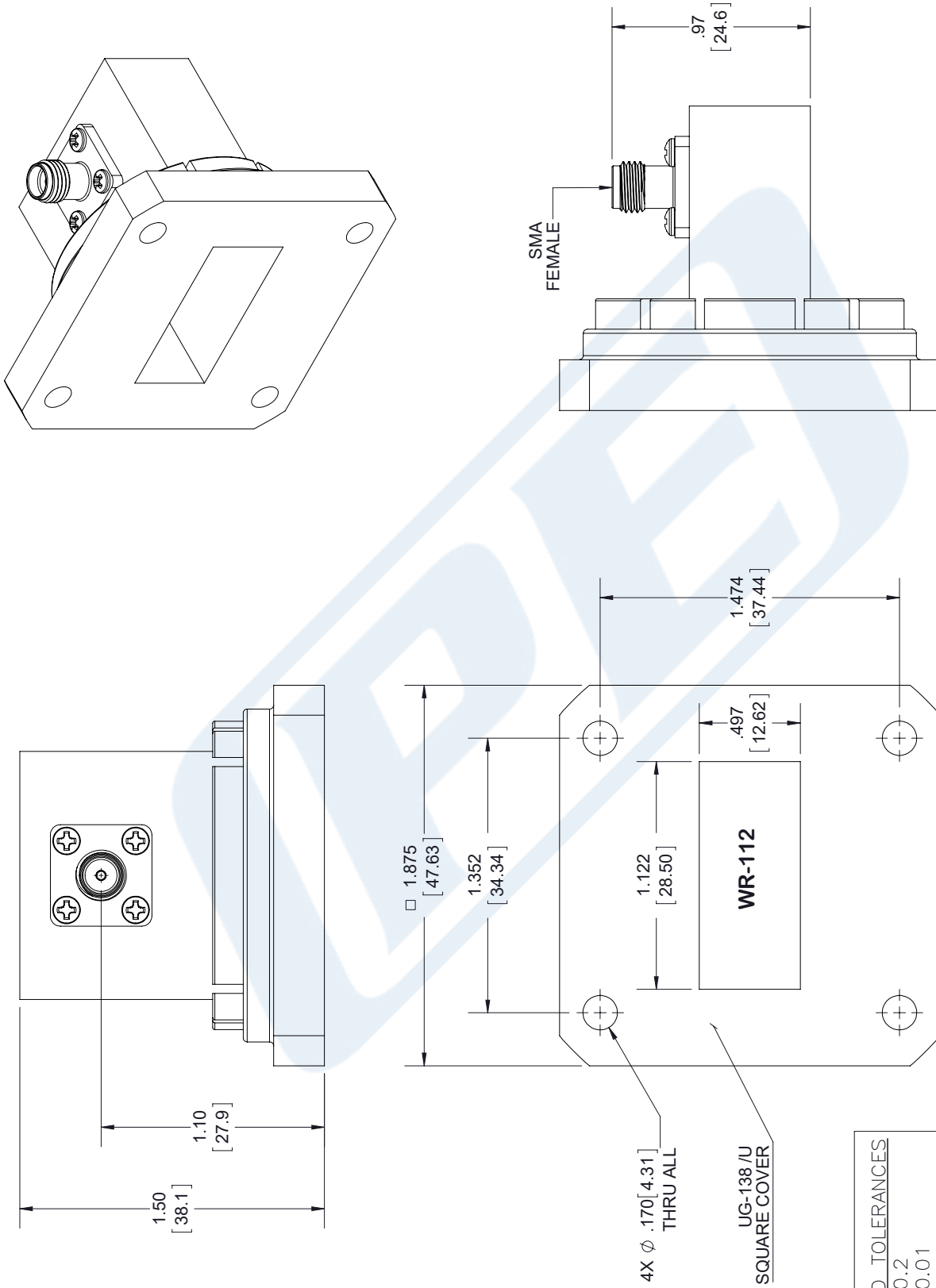
Click the following link (or enter part number in "SEARCH" on website) to obtain additional part information including price, inventory and certifications: [WR-112 UG-138/U Square Cover Flange to SMA Female Waveguide to Coax Adapter, 7.05 GHz to 10 GHz, H Band, Aluminum, Paint PEWCA1040](#)

URL: <https://www.pasternack.com/wr112-ug138-square-flange-to-sma-female-waveguide-coax-adapter-10-ghz-pewca1040-p.aspx>

The information contained in this document is accurate to the best of our knowledge and representative of the part described herein. It may be necessary to make modifications to the part and/or the documentation of the part, in order to implement improvements. Pasternack reserves the right to make such changes as required. Unless otherwise stated, all specifications are nominal. Pasternack does not make any representation or warranty regarding the suitability of the part described herein for any particular purpose, and Pasternack does not assume any liability arising out of the use of any part or documentation.

# PEWCA1040 CAD Drawing

WR-112 UG-138/U Square Cover Flange to SMA Female Waveguide to Coax Adapter, 7.05 GHz to 10 GHz, H Band, Aluminum, Paint



STANDARD TOLERANCES
.X $\pm 0.2$
.XX $\pm 0.01$
.XXX $\pm 0.005$

\*STANDARD TOLERANCES APPLY ONLY TO DIMENSIONS IN INCHES



Pasternack Enterprises, Inc.  
 P.O. Box 16759 | Irvine | CA | 92623  
**Phone:** (949) 261-1920 | **Fax:** (949) 261-7451  
**Website:** www.pasternack.com | **E-Mail:** sales@pasternack.com

DWG TITLE	PEWCA1040
CAGE CODE	53919

NOTES:	1. UNLESS OTHERWISE SPECIFIED ALL DIMENSIONS ARE NOMINAL.
	2. ALL SPECIFICATIONS ARE SUBJECT TO CHANGE WITHOUT NOTICE AT ANY TIME
	3. DIMENSIONS ARE IN INCHES [mm].
CAD FILE	100417
SCALE	N/A
SIZE	A
	7361