



WR-187 CPR-187G Grooved Flange to Type N Female Waveguide to Coax Adapter, 3.95 GHz to 5.85 GHz, J Band, Aluminum, Paint

Waveguide to Coax Adapters Technical Data Sheet

PEWCA1059

Features

- J Band
- 3.95 to 5.85 GHz Frequency Range
- WR-187 Waveguide Interface
- CPR-187G Flange
- N Female RF Interface
- Right Angle

Applications

- Test Benches
- Radar
- Satellite
- Microwave Radio Systems
- Military and Space
- Communication Systems

Description

The PEWCA1059 is a waveguide to coaxial adapter operating in the J Band with a 3.95 to 5.85 GHz frequency range. This adapter offers a WR-187 waveguide interface size using a standard CPR-187G Flange. The PEWCA1059 is constructed of Aluminum Alloy and painted to ensure durability. The coaxial connector offered by this adapter uses a N Female Connector.

Configuration

| | |
|----------------|-------------|
| Waveguide Size | WR-187 |
| Flange | CPR-187G |
| RF Connector | N Female |
| Impedance | 50 Ohms |
| Body Geometry | Right Angle |

Electrical Specifications

| Description | Minimum | Typical | Maximum | Units |
|-----------------|---------|---------|---------|-------|
| Frequency Range | 3.95 | | 5.85 | GHz |
| VSWR | | 1.25:1 | | |

Mechanical Specifications

| | |
|----------------------------|-----------------|
| RF Connector | |
| Connector Type | N Female |
| Waveguide Interface | |
| Waveguide Type | WR-187 |
| Flange Type | CPR-187G |
| Body Material and Plating | Aluminum, Paint |

Click the following link (or enter part number in "SEARCH" on website) to obtain additional part information including price, inventory and certifications: [WR-187 CPR-187G Grooved Flange to Type N Female Waveguide to Coax Adapter, 3.95 GHz to 5.85 GHz, J Band, Aluminum, Paint PEWCA1059](#)



WR-187 CPR-187G Grooved Flange to Type N
Female Waveguide to Coax Adapter, 3.95 GHz
to 5.85 GHz, J Band, Aluminum, Paint

Waveguide to Coax Adapters Technical Data Sheet

PEWCA1059

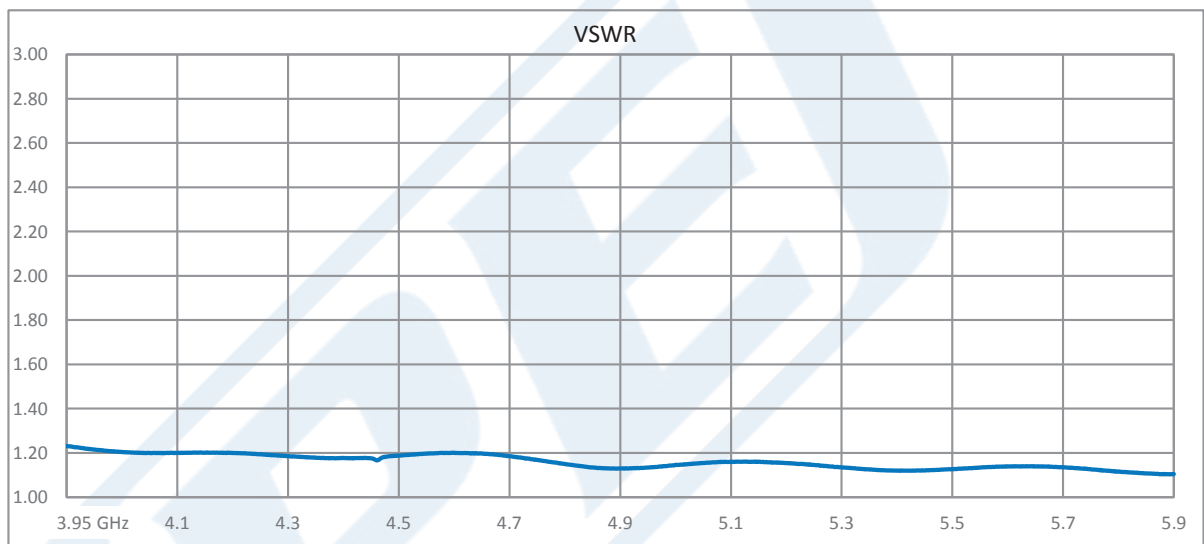
Compliance Certifications (see [product page](#) for current document)

Plotted and Other Data

Notes:

- Values at +25 °C, sea level unless stated otherwise

Typical Performance Data



WR-187 CPR-187G Grooved Flange to Type N Female Waveguide to Coax Adapter, 3.95 GHz to 5.85 GHz, J Band, Aluminum, Paint from Pasternack Enterprises has same day shipment for domestic and International orders. Our RF, microwave and millimeter wave products maintain a 99.4% availability and are part of the broadest selection in the industry.

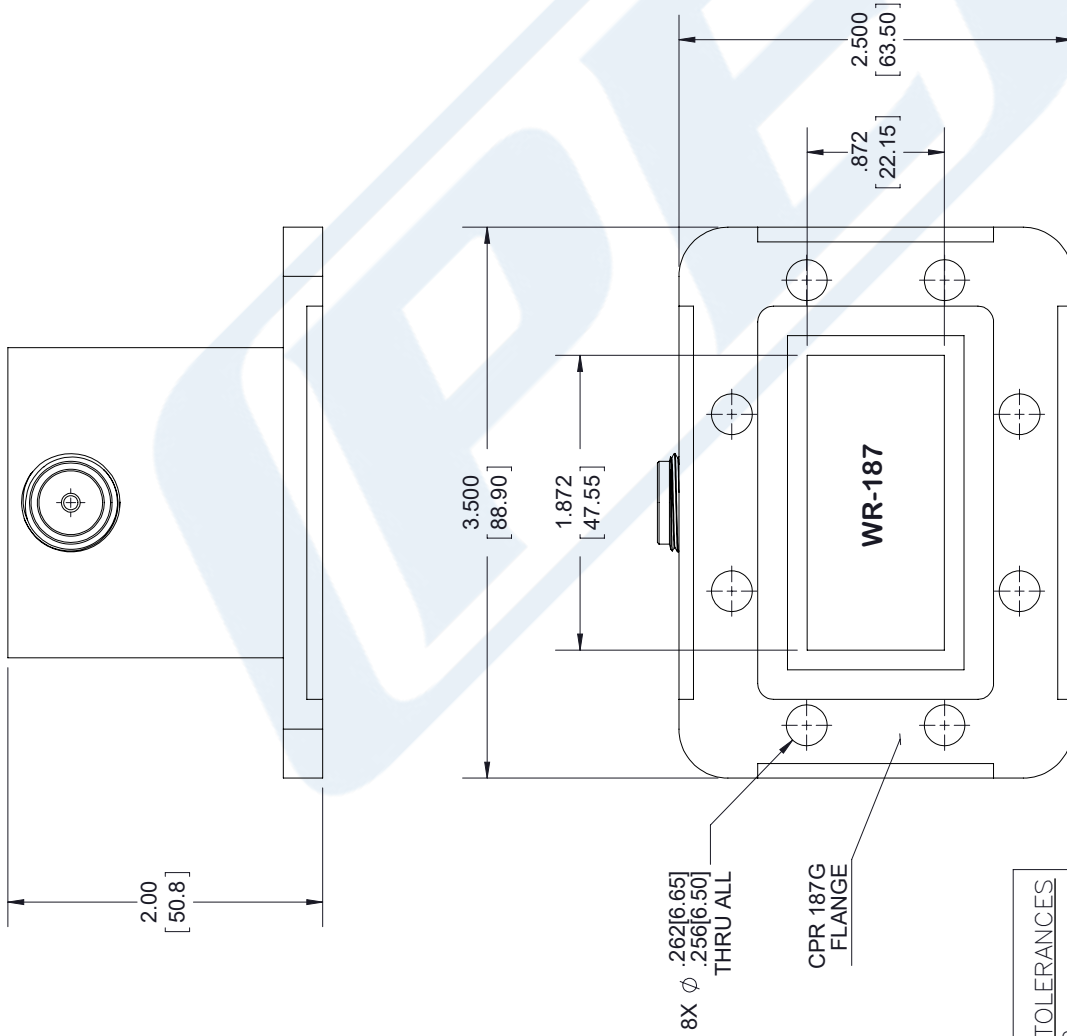
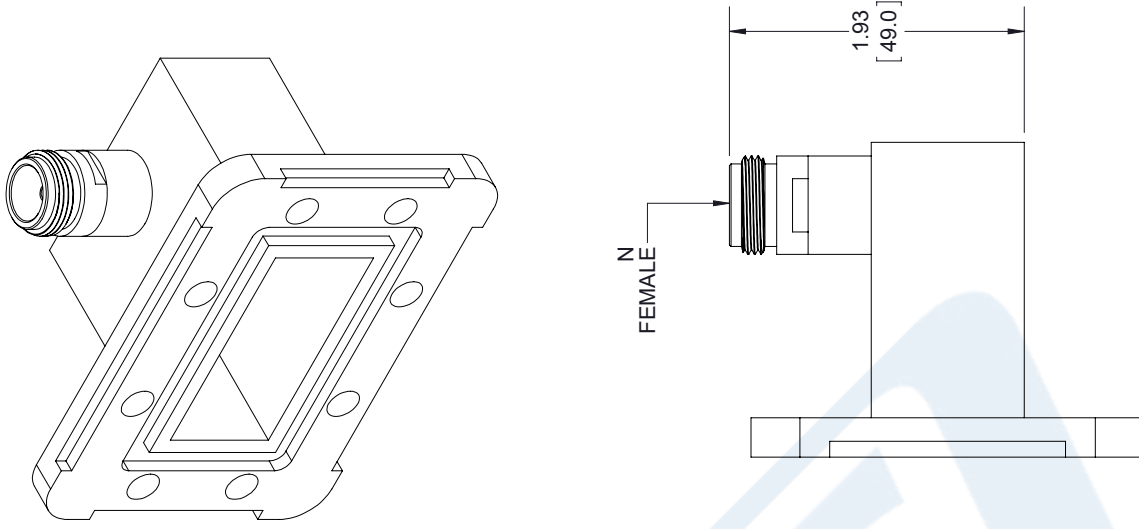
Click the following link (or enter part number in "SEARCH" on website) to obtain additional part information including price, inventory and certifications: [WR-187 CPR-187G Grooved Flange to Type N Female Waveguide to Coax Adapter, 3.95 GHz to 5.85 GHz, J Band, Aluminum, Paint PEWCA1059](#)

URL: <https://www.pasternack.com/wr187-cpr-187g-grooved-flange-to-type-n-female-waveguide-coax-adapter-pewca1059-p.aspx>

The information contained in this document is accurate to the best of our knowledge and representative of the part described herein. It may be necessary to make modifications to the part and/or the documentation of the part, in order to implement improvements. Pasternack reserves the right to make such changes as required. Unless otherwise stated, all specifications are nominal. Pasternack does not make any representation or warranty regarding the suitability of the part described herein for any particular purpose, and Pasternack does not assume any liability arising out of the use of any part or documentation.

PEWCA1059 CAD Drawing

WR-187 CPR-187G Grooved Flange to Type N Female Waveguide to Coax Adapter, 3.95 GHz to 5.85 GHz, J Band, Aluminum, Paint



| STANDARD TOLERANCES | |
|---------------------|--------|
| .X | ±0.2 |
| .XX | ±0.01 |
| .XXX | ±0.005 |

*STANDARD TOLERANCES APPLY ONLY TO DIMENSIONS IN INCHES

8X ϕ .262[6.65]
THRU ALL

CPR 187G
FLANGE

WR-187

| | | | | | | | | |
|---|-----------|-----------|--|--------|-------|-----|------|---|
| <p>PASTERNAK THE ENGINEER'S RF SOURCE Pasternack Enterprises, Inc. P.O. Box 16759 Irvine CA 92623 Phone: (949) 261-1920 Fax: (949) 261-7451 Website: www.pasternack.com E-Mail: sales@pasternack.com</p> | DWG TITLE | PEWCA1059 | NOTES: 1. UNLESS OTHERWISE SPECIFIED ALL DIMENSIONS ARE NOMINAL. 2. ALL SPECIFICATIONS ARE SUBJECT TO CHANGE WITHOUT NOTICE AT ANY TIME 3. DIMENSIONS ARE IN INCHES [mm]. | | | | | |
| | CAGE CODE | 53919 | CAD FILE | 100417 | SCALE | N/A | SIZE | A |