



## WR-229 CMR-229 Flange to N Female Waveguide to Coax Adapter Operating from 3.3 GHz to 4.9 GHz

### Waveguide to Coax Adapters Technical Data Sheet

PEWCA1060

#### Features

- U Band
- 3.3 to 4.9 GHz Frequency Range
- WR-229 Waveguide Interface
- CMR-229 Flange
- N Female RF Interface
- Right Angle

#### Applications

- Test Benches
- Radar
- Satellite
- Microwave Radio Systems
- Military and Space
- Communication Systems

#### Description

The PEWCA1060 is a waveguide to coaxial adapter operating in the U Band with a 3.3 to 4.9 GHz frequency range. This adapter offers a WR-229 waveguide interface size using a standard CMR-229 Flange. The PEWCA1060 is constructed of Aluminum Alloy and painted to ensure durability. The coaxial connector offered by this adapter uses a N Female Connector. All waveguide components available for same day shipping.

#### Configuration

Waveguide Size	WR-229
Flange	CMR-229
RF Connector	N Female
Impedance	50 Ohms
Body Geometry	Right Angle

#### Electrical Specifications

Description	Minimum	Typical	Maximum	Units
Frequency Range	3.3		4.9	GHz
VSWR		1.25:1		

#### Mechanical Specifications

<b>RF Connector</b>	
Connector Type	N Female
<b>Waveguide Interface</b>	
Waveguide Type	WR-229
Flange Type	CMR-229
Body Material and Plating	Aluminum, Paint

Click the following link (or enter part number in "SEARCH" on website) to obtain additional part information including price, inventory and certifications: [WR-229 CMR-229 Flange to N Female Waveguide to Coax Adapter Operating from 3.3 GHz to 4.9 GHz PEWCA1060](#)



## WR-229 CMR-229 Flange to N Female Waveguide to Coax Adapter Operating from 3.3 GHz to 4.9 GHz

### Waveguide to Coax Adapters Technical Data Sheet

PEWCA1060

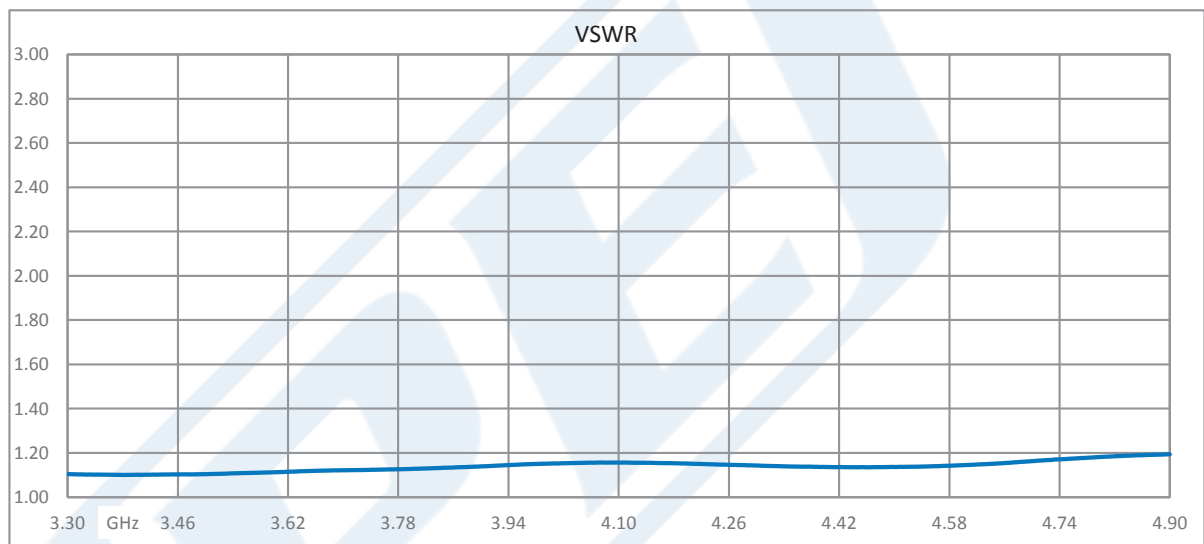
**Compliance Certifications** (see [product page](#) for current document)

#### Plotted and Other Data

Notes:

- Values at +25 °C, sea level unless stated otherwise

#### Typical Performance Data



WR-229 CMR-229 Flange to N Female Waveguide to Coax Adapter Operating from 3.3 GHz to 4.9 GHz from Pasternack Enterprises has same day shipment for domestic and International orders. Our RF, microwave and millimeter wave products maintain a 99.4% availability and are part of the broadest selection in the industry.

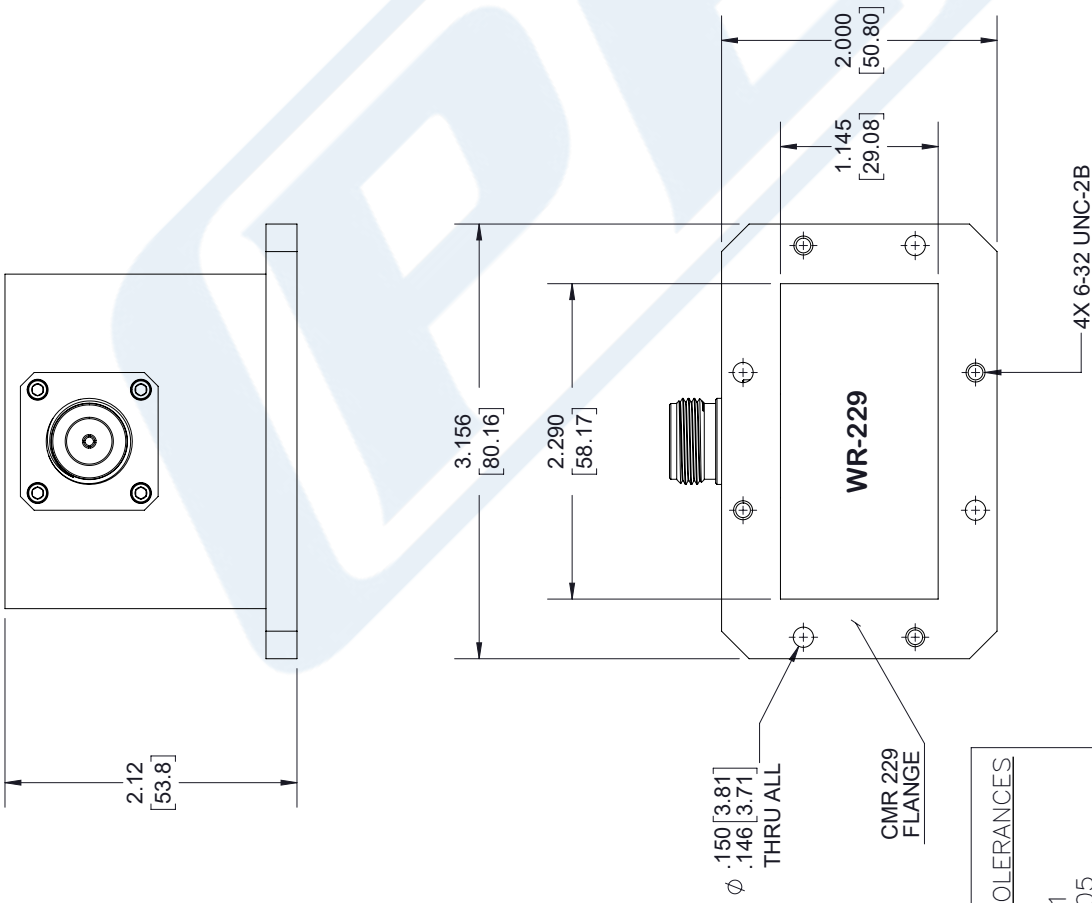
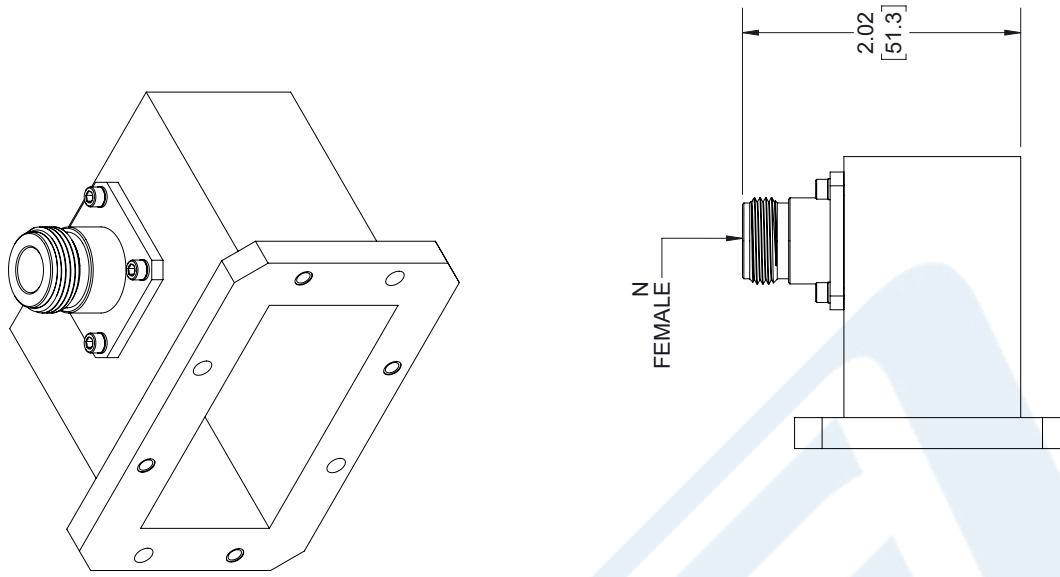
Click the following link (or enter part number in "SEARCH" on website) to obtain additional part information including price, inventory and certifications: [WR-229 CMR-229 Flange to N Female Waveguide to Coax Adapter Operating from 3.3 GHz to 4.9 GHz PEWCA1060](#)

URL: <https://www.pasternack.com/wr229-cmr-229-flange-to-type-n-female-waveguide-coax-adapter-4.9ghz-pewca1060-p.aspx>

The information contained in this document is accurate to the best of our knowledge and representative of the part described herein. It may be necessary to make modifications to the part and/or the documentation of the part, in order to implement improvements. Pasternack reserves the right to make such changes as required. Unless otherwise stated, all specifications are nominal. Pasternack does not make any representation or warranty regarding the suitability of the part described herein for any particular purpose, and Pasternack does not assume any liability arising out of the use of any part or documentation.

# PEWCA1060 CAD Drawing

WR-229 CMR-229 Flange to N Female Waveguide to Coax Adapter Operating from 3.3 GHz to 4.9 GHz



STANDARD TOLERANCES	
.X	±0.2
.XX	±0.01
.XXX	±0.005

\*STANDARD TOLERANCES APPLY ONLY TO DIMENSIONS IN INCHES



Pasternack Enterprises, Inc.  
P.O. Box 16759 | Irvine | CA | 92623  
**Phone:** (949) 261-1920 | **Fax:** (949) 261-7451  
**Website:** [www.pasternack.com](http://www.pasternack.com) | **E-Mail:** [sales@pasternack.com](mailto:sales@pasternack.com)

DWG TITLE

PEWCA1060

CAGE CODE 53919

NOTES:  
1. UNLESS OTHERWISE SPECIFIED ALL DIMENSIONS ARE NOMINAL.  
2. ALL SPECIFICATIONS ARE SUBJECT TO CHANGE WITHOUT NOTICE AT ANY TIME.  
3. DIMENSIONS ARE IN INCHES [mm].

CAD FILE 10/04/18

SCALE N/A

SIZE A

7361