



WR-430 CPR-430G Grooved Flange to N Female Waveguide to Coax Adapter Operating from 1.7 GHz to 2.6 GHz

Waveguide to Coax Adapters Technical Data Sheet

PEWCA1069

Features

- L Band
- 1.7 to 2.6 GHz Frequency Range
- WR-430 Waveguide Interface
- CPR-430G Flange
- N Female RF Interface
- Right Angle

Applications

- Test Benches
- Radar
- Satellite
- Microwave Radio Systems
- Military and Space
- Communication Systems

Description

The PEWCA1069 is a waveguide to coaxial adapter operating in the L Band with a 1.7 to 2.6 GHz frequency range. This adapter offers a WR-430 waveguide interface size using a standard CPR-430G Flange. The PEWCA1069 is constructed of Aluminum Alloy and painted to ensure durability. The coaxial connector offered by this adapter uses a N Female Connector.

Configuration

Waveguide Size	WR-430
Flange	CPR-430G
RF Connector	N Female
Impedance	50 Ohms
Body Geometry	Right Angle

Electrical Specifications

Description	Minimum	Typical	Maximum	Units
Frequency Range	1.7		2.6	GHz
VSWR		1.25:1		

Mechanical Specifications

RF Connector	
Connector Type	N Female
Waveguide Interface	
Waveguide Type	WR-430
Flange Type	CPR-430G
Body Material and Plating	Aluminum, Paint

Click the following link (or enter part number in "SEARCH" on website) to obtain additional part information including price, inventory and certifications: [WR-430 CPR-430G Grooved Flange to N Female Waveguide to Coax Adapter Operating from 1.7 GHz to 2.6 GHz PEWCA1069](#)



WR-430 CPR-430G Grooved Flange to N Female Waveguide to Coax Adapter Operating from 1.7 GHz to 2.6 GHz

Waveguide to Coax Adapters Technical Data Sheet

PEWCA1069

Compliance Certifications (see [product page](#) for current document)

Plotted and Other Data

Notes:

- Values at +25 °C, sea level unless stated otherwise

WR-430 CPR-430G Grooved Flange to N Female Waveguide to Coax Adapter Operating from 1.7 GHz to 2.6 GHz from Pasternack Enterprises has same day shipment for domestic and International orders. Our RF, microwave and millimeter wave products maintain a 99.4% availability and are part of the broadest selection in the industry.

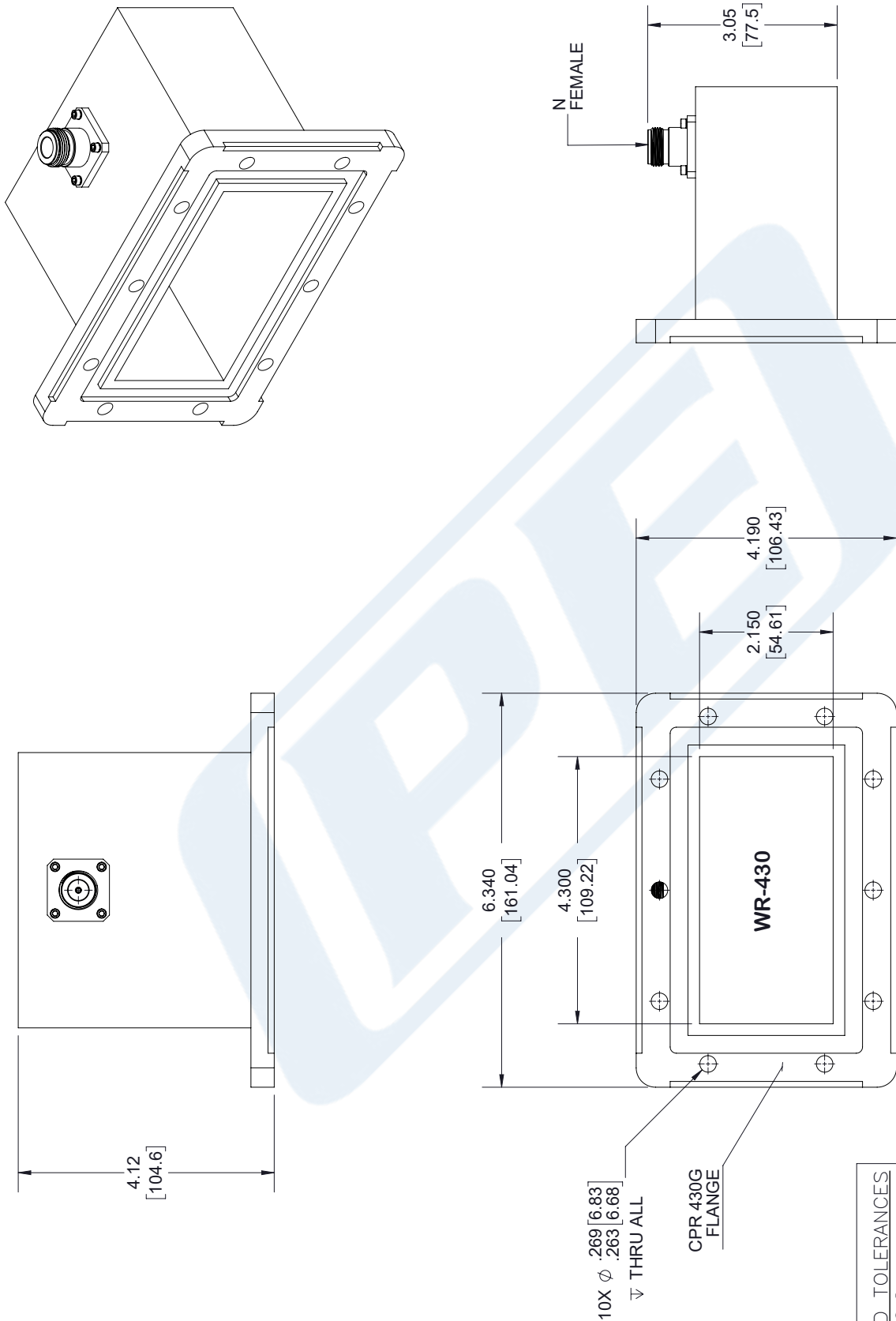
Click the following link (or enter part number in "SEARCH" on website) to obtain additional part information including price, inventory and certifications: [WR-430 CPR-430G Grooved Flange to N Female Waveguide to Coax Adapter Operating from 1.7 GHz to 2.6 GHz PEWCA1069](#)

URL: <https://www.pasternack.com/wr430-cpr-430g-grooved-flange-to-type-n-female-waveguide-coax-adapter-pewca1069-p.aspx>

The information contained in this document is accurate to the best of our knowledge and representative of the part described herein. It may be necessary to make modifications to the part and/or the documentation of the part, in order to implement improvements. Pasternack reserves the right to make such changes as required. Unless otherwise stated, all specifications are nominal. Pasternack does not make any representation or warranty regarding the suitability of the part described herein for any particular purpose, and Pasternack does not assume any liability arising out of the use of any part or documentation.

PEWCA1069 CAD Drawing

WR-430 CPR-430G Grooved Flange to N Female Waveguide to Coax Adapter Operating from 1.7 GHz to 2.6 GHz



NOTES:
 1. UNLESS OTHERWISE SPECIFIED ALL DIMENSIONS ARE NOMINAL.
 2. ALL SPECIFICATIONS ARE SUBJECT TO CHANGE WITHOUT NOTICE AT ANY TIME.
 3. DIMENSIONS ARE IN INCHES [mm].

DWG TITLE	PEWCA1069
CAGE CODE	53919
SCALE	N/A
SIZE	A
CAD FILE	10/05/18
	7361

PE PASTERNAK®
 THE ENGINEER'S RF SOURCE
 Pasternack Enterprises, Inc.
 P.O. Box 16759 | Irvine | CA | 92623
 Phone: (949) 261-1920 | Fax: (949) 261-7451
 Website: www.pasternack.com | E-Mail: sales@pasternack.com