



WR-42 UG-597/U Square Cover Flange to End Launch 2.92mm Female Waveguide to Coax Adapter Operating from 18 GHz to 26.5 GHz

Waveguide to Coax Adapters Technical Data Sheet

PEWCA1070

**Features**

- K Band
- 18 to 26.5 GHz Frequency Range
- WR-42 Waveguide Interface
- UG-597/U Square Cover Flange
- 2.92mm Female RF Interface
- End Launch

**Applications**

- Test Benches
- Radar
- Satellite
- Microwave Radio Systems
- Military and Space
- Communication Systems

**Description**

The PEWCA1070 is a waveguide to coaxial adapter operating in the K Band with a 18 to 26.5 GHz frequency range. This adapter offers a WR-42 waveguide interface size using a standard UG-597/U Square Cover Flange. The PEWCA1070 is constructed of Aluminum Alloy and painted to ensure durability. The coaxial connector offered by this adapter uses a 2.92mm Female Connector. All waveguide components available for same day shipping.

**Configuration**

Waveguide Size	WR-42
Flange	UG-597/U Square Cover
RF Connector	2.92mm Female
Impedance	50 Ohms
Body Geometry	End Launch

**Electrical Specifications**

Description	Minimum	Typical	Maximum	Units
Frequency Range	18		26.5	GHz
VSWR		1.3:1		

**Mechanical Specifications**

<b>RF Connector</b>	
Connector Type	2.92mm Female
<b>Waveguide Interface</b>	
Waveguide Type	WR-42
Flange Type	Square Cover
Flange Designation	UG-597/U
Body Material and Plating	Aluminum, Paint

Click the following link (or enter part number in "SEARCH" on website) to obtain additional part information including price, inventory and certifications: [WR-42 UG-597/U Square Cover Flange to End Launch 2.92mm Female Waveguide to Coax Adapter Operating from 18 GHz to 26.5 GHz PEWCA1070](#)



WR-42 UG-597/U Square Cover Flange to End  
Launch 2.92mm Female Waveguide to Coax  
Adapter Operating from 18 GHz to 26.5 GHz

Waveguide to Coax Adapters Technical Data Sheet

PEWCA1070

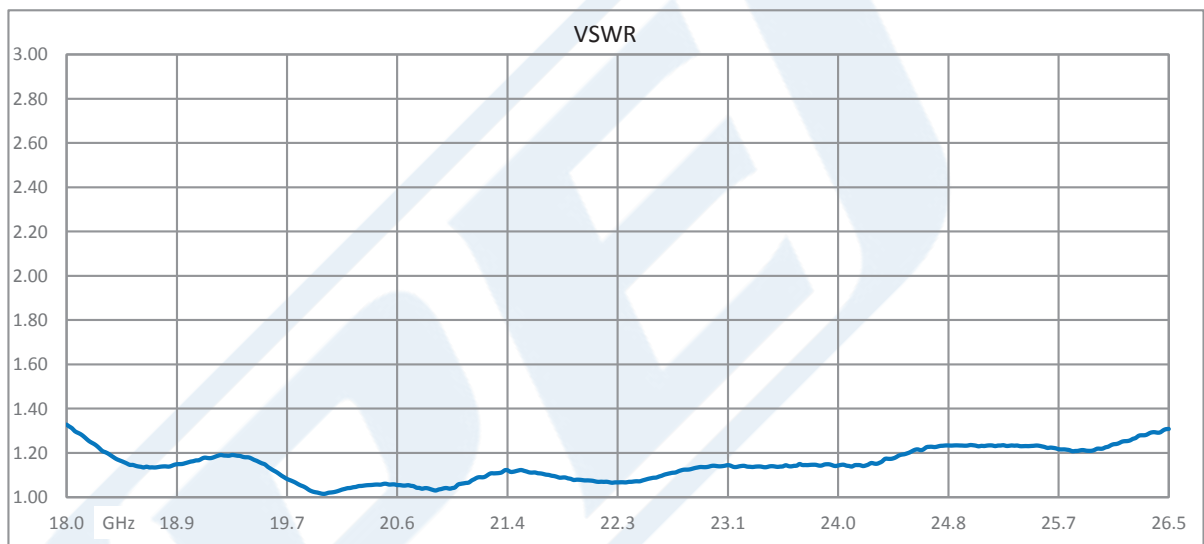
**Compliance Certifications** (see [product page](#) for current document)

**Plotted and Other Data**

Notes:

- Values at +25 °C, sea level unless stated otherwise

**Typical Performance Data**



WR-42 UG-597/U Square Cover Flange to End Launch 2.92mm Female Waveguide to Coax Adapter Operating from 18 GHz to 26.5 GHz from Pasternack Enterprises has same day shipment for domestic and International orders. Our RF, microwave and millimeter wave products maintain a 99.4% availability and are part of the broadest selection in the industry.

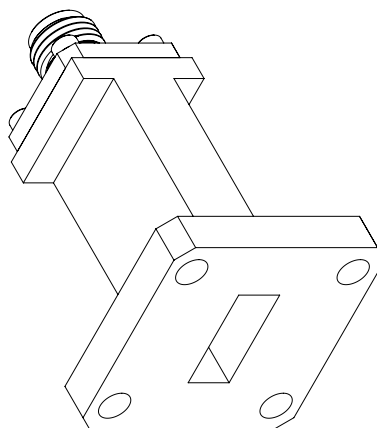
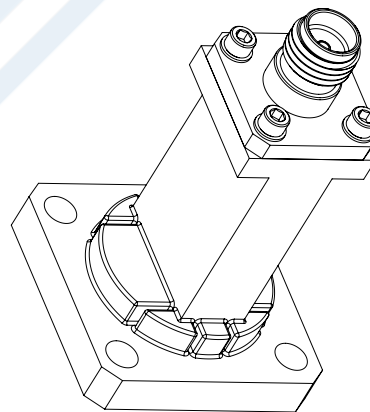
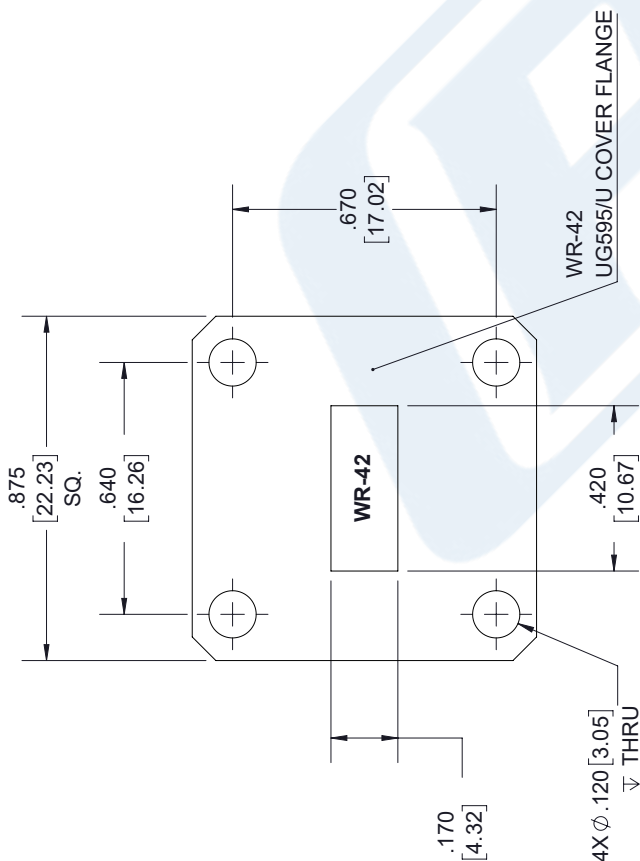
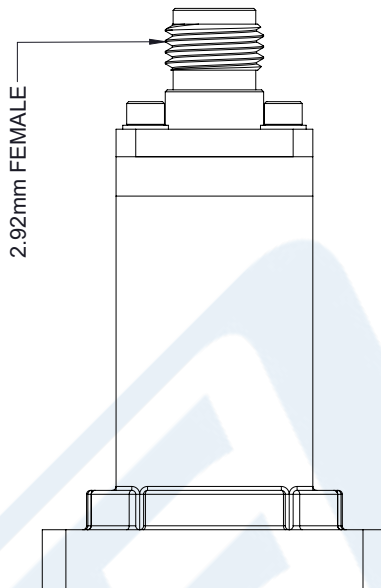
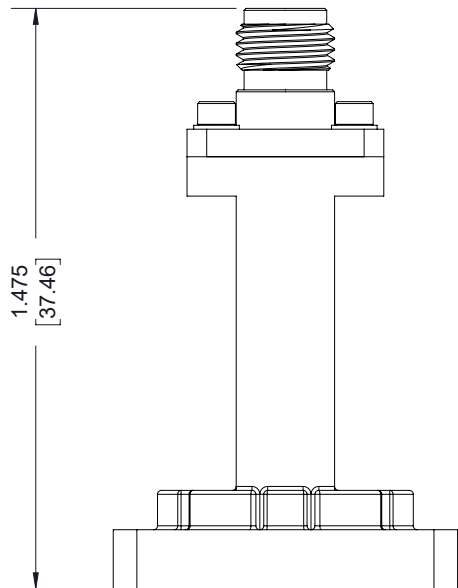
Click the following link (or enter part number in "SEARCH" on website) to obtain additional part information including price, inventory and certifications: [WR-42 UG-597/U Square Cover Flange to End Launch 2.92mm Female Waveguide to Coax Adapter Operating from 18 GHz to 26.5 GHz PEWCA1070](#)

URL: <https://www.pasternack.com/wr42-ug597-square-flange-to-end-launch-2.92mm-female-waveguide-coax-adapter-pewca1070-p.aspx>

The information contained in this document is accurate to the best of our knowledge and representative of the part described herein. It may be necessary to make modifications to the part and/or the documentation of the part, in order to implement improvements. Pasternack reserves the right to make such changes as required. Unless otherwise stated, all specifications are nominal. Pasternack does not make any representation or warranty regarding the suitability of the part described herein for any particular purpose, and Pasternack does not assume any liability arising out of the use of any part or documentation.

# PEWCA1070 CAD Drawing

WR-42 UG-597/U Square Cover Flange to End Launch 2.92mm Female Waveguide to Coax Adapter Operating from 18 GHz to 26.5 GHz



STANDARD TOLERANCES	
.X	±0.2
.XX	±0.01
.XXX	±0.005

\*STANDARD TOLERANCES APPLY ONLY TO DIMENSIONS IN INCHES

NOTES:  
 1. UNLESS OTHERWISE SPECIFIED ALL DIMENSIONS ARE NOMINAL.  
 2. ALL SPECIFICATIONS ARE SUBJECT TO CHANGE WITHOUT NOTICE AT ANY TIME.  
 3. DIMENSIONS ARE IN INCHES [mm].

DWG TITLE	PEWCA1070
CAGE CODE	53919
CAD FILE	10/03/18
SCALE	N/A
SIZE	A
	7361

**PE PASTERNAK®**  
 THE ENGINEER'S RF SOURCE  
 Pasternack Enterprises, Inc.  
 P.O. Box 16759 | Irvine | CA | 92623  
**Phone:** (949) 261-1920 | **Fax:** (949) 261-7451  
**Website:** www.pasternack.com | **E-Mail:** sales@pasternack.com