



## 2 Way 1.85mm Power Divider from DC to 67 GHz Rated at 0.5 Watts

### Power Dividers Technical Data Sheet

**PE20DV1057**

#### Features

- 2-Way Power Divider
- Resistive Design
- 0 to 67 GHz Frequency Range
- Max Power 0.5 Watts (CW)
- Insertion Loss < 7.8 dB

#### Applications

- Test and Measurement
- Military Communications
- Commercial Communications
- Wireless Communications
- SATCOM

#### Description

Pasternack carries a wide selection of power dividers to fit your needs. These components are essential in many systems, allowing the combination of multiple signals or splitting of a single signal into multiple signals with equal magnitude and phase. Pasternack's resistive and Wilkinson power dividers come with excellent performance featuring minimal loss, high isolation and low VSWR. They are available in both narrow and broad bandwidths with a variety of connector types such as 2.92mm, BNC, N and SMA.

The PE20DV1057 is a 2-way high frequency power divider that operates from 0 to 67 GHz and can handle up to 0.5 Watts (CW) with 7.8 dB max insertion loss. The package interface uses 1.85mm female connectors and is REACH and RoHS compliant.

#### Electrical Specifications

Number of Output Ports 2

Description	Minimum	Typical	Maximum	Units
Frequency Range	DC		67	GHz
Impedance		50		Ohms
Isolation		14		dB
Amplitude Balance		±0.2	±0.6	dB
Phase Balance		±3	±7	Degrees
Input Power (CW)			0.5	Watts
Input Power (Peak)			5	Watts

Click the following link (or enter part number in "SEARCH" on website) to obtain additional part information including price, inventory and certifications: [2 Way 1.85mm Power Divider from DC to 67 GHz Rated at 0.5 Watts PE20DV1057](#)



2 Way 1.85mm Power Divider from DC to 67 GHz Rated at 0.5 Watts

**Power Dividers Technical Data Sheet**

**PE20DV1057**

**Specifications by Frequency**

Description	F1	F2	F3	F4	F5	Units
Frequency Range	DC to 40	40 to 67				GHz
Input VSWR, Max	1.8:1	1.8:1				
Output VSWR, Max	2.2:1	3:1				
Insertion Loss, Max	7	7.8				dB

**Mechanical Specifications**

**Size**

Length	0.62 in [15.75 mm]
Width	0.69 in [17.53 mm]
Height	0.39 in [9.91 mm]
Weight	0.048 lbs [21.77 g]

Housing Material and Plating

Aluminum, Gold

**Configuration**

Package Type	Connectorized
Input Connector	1.85mm Female
Output Connectors	1.85mm Female

**Environmental Specifications**

**Temperature**

Operating Range	-45 to +85 deg C
Storage Range	-55 to +125 deg C

Humidity	100% RH at 35°C, 95% RH at 40°C
Shock	20G for 11msec half sine wave, 3 axis both directions
Vibration	25g RMS (15 degrees 2KHz) endurance, 1 hour per axis
Altitude	30,000 ft. (Epoxy Sealed Controlled environment)

**Compliance Certifications** (see [product page](#) for current document)

**Plotted and Other Data**

Notes:

Click the following link (or enter part number in "SEARCH" on website) to obtain additional part information including price, inventory and certifications: [2 Way 1.85mm Power Divider from DC to 67 GHz Rated at 0.5 Watts PE20DV1057](#)

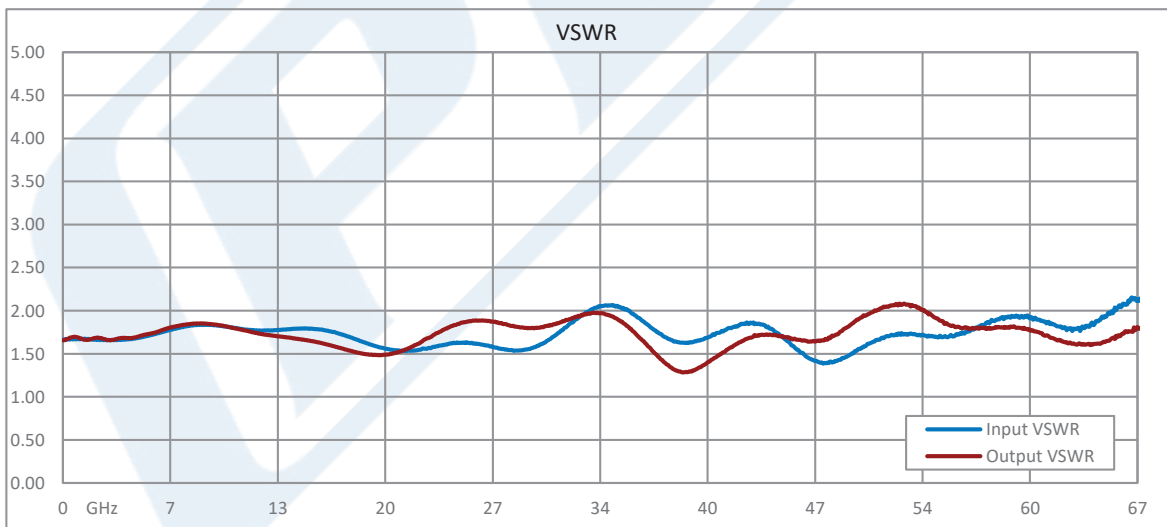
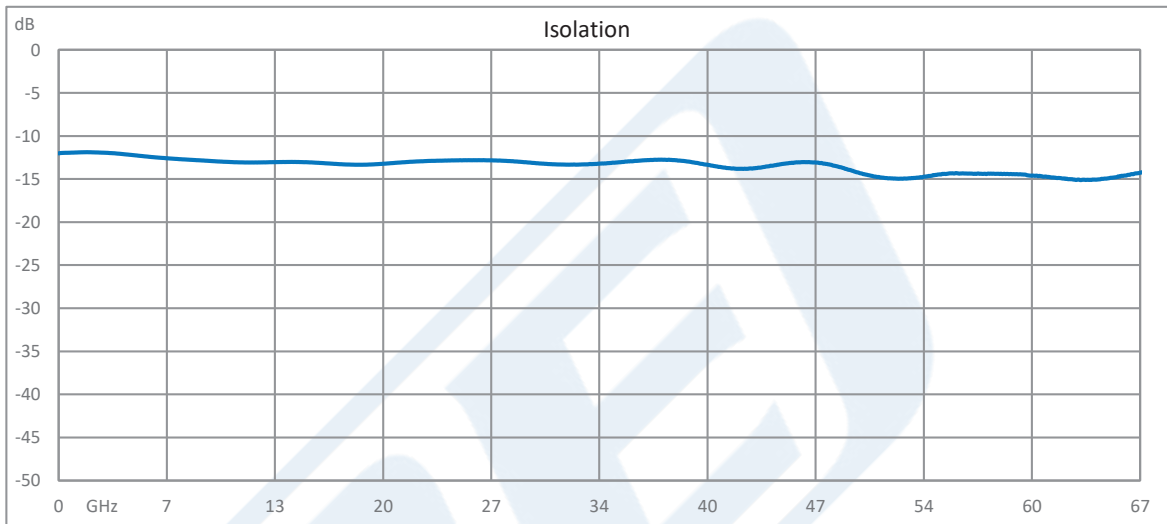


2 Way 1.85mm Power Divider from DC to 67 GHz Rated at 0.5 Watts

**Power Dividers Technical Data Sheet**

**PE20DV1057**

**Typical Performance Data**



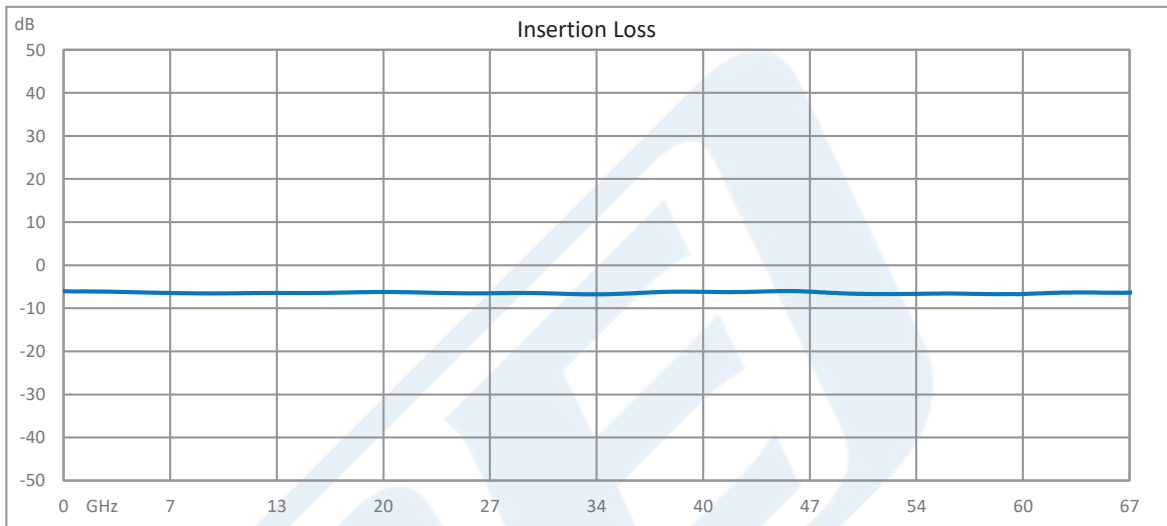
Click the following link (or enter part number in "SEARCH" on website) to obtain additional part information including price, inventory and certifications: [2 Way 1.85mm Power Divider from DC to 67 GHz Rated at 0.5 Watts PE20DV1057](#)



2 Way 1.85mm Power Divider from DC  
to 67 GHz Rated at 0.5 Watts

## Power Dividers Technical Data Sheet

**PE20DV1057**



2 Way 1.85mm Power Divider from DC to 67 GHz Rated at 0.5 Watts from Pasternack Enterprises has same day shipment for domestic and International orders. Our RF, microwave and millimeter wave products maintain a 99.4% availability and are part of the broadest selection in the industry.

Click the following link (or enter part number in "SEARCH" on website) to obtain additional part information including price, inventory and certifications: [2 Way 1.85mm Power Divider from DC to 67 GHz Rated at 0.5 Watts PE20DV1057](https://www.pasternack.com/2-way-1.85mm-power-divider-67-ghz-pe20dv1057-p.aspx)

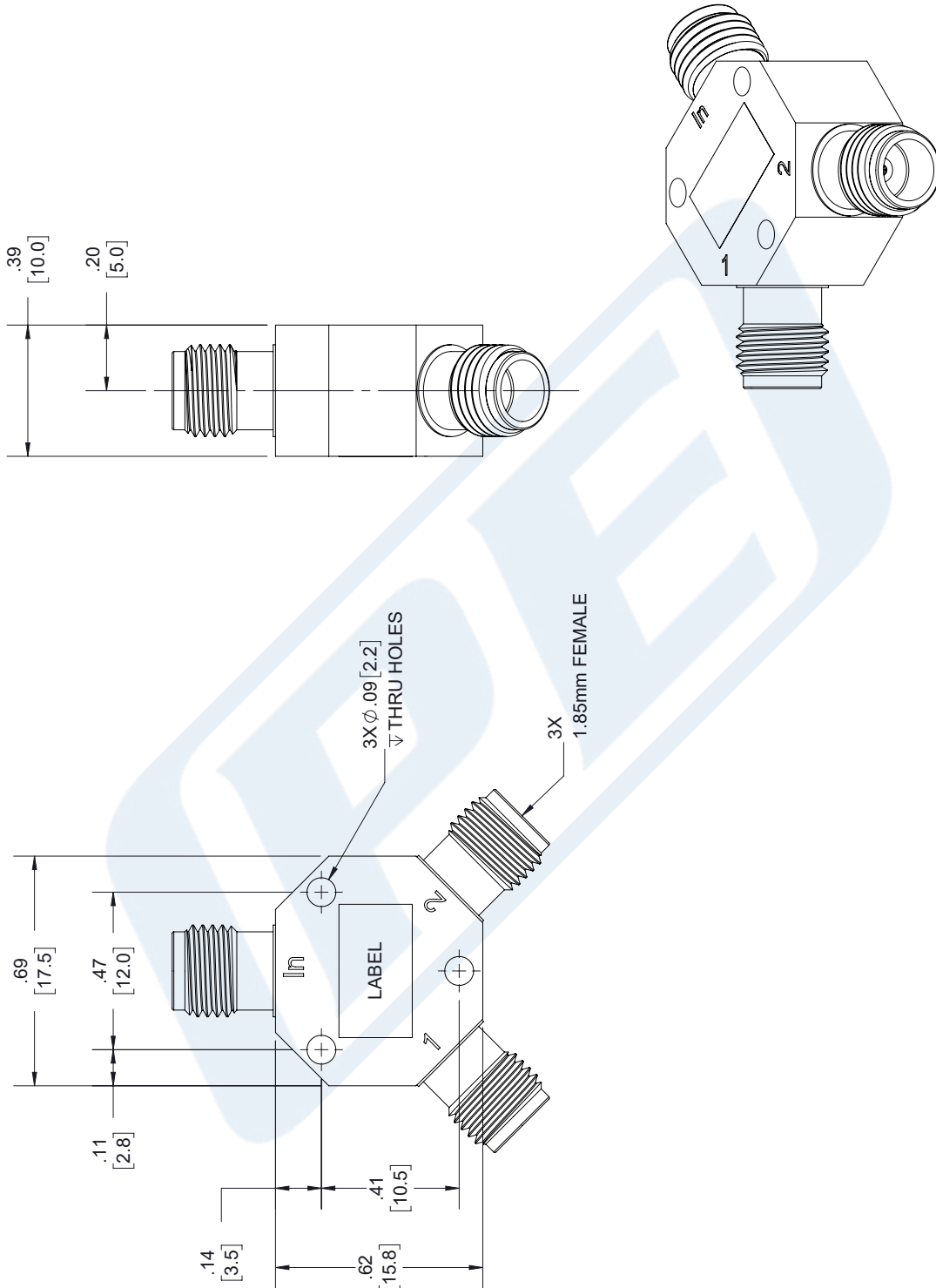
URL: <https://www.pasternack.com/2-way-1.85mm-power-divider-67-ghz-pe20dv1057-p.aspx>

The information contained in this document is accurate to the best of our knowledge and representative of the part described herein. It may be necessary to make modifications to the part and/or the documentation of the part, in order to implement improvements. Pasternack reserves the right to make such changes as required. Unless otherwise stated, all specifications are nominal. Pasternack does not make any representation or warranty regarding the suitability of the part described herein for any particular purpose, and Pasternack does not assume any liability arising out of the use of any part or documentation.

# PE20DV1057 CAD Drawing

2 Way 1.85mm Power Divider from DC to 67 GHz Rated at 0.5 Watts

REVISIONS			
REV.	DESCRIPTION	DATE	APPROVED
A	INITIAL RELEASE	01/29/19	S. SPONG



UNLESS OTHERWISE SPECIFIED LEADING DIMENSIONS ARE INCHES DIMENSIONS IN [ ] ARE MILLIMETERS		THE INFORMATION AND DESIGN IN THIS DOCUMENT IS THE PROPERTY OF PASTERNAK CORPORATION ALL RIGHTS RESERVED.	
TOLERANCES: .X±.2 [5.08]   FRACTIONS .XX±.01 [.25]   ± 1/32 .XXX±.005 [.13]   ANGLES ± 1°		SHEET 1 OF 1	
ALL DIMENSIONS SHOWN ARE FOR REFERENCE ONLY.		SCALE N/A	
THIRD-ANGLE PROJECTION		www.pasternack.com   e-mail: sales@pasternack.com	
		DRAWN BY: PART NUMBER	
SIZE: A		CAGE: 53919	
DRAWN BY: KDANG		PART NUMBER: PE20DV1057	
REV: A		REV: A	

**LABEL:**  
**PASTERNAK**  
**PE20DV1057**  
D/C: XXXX

THESE COMMODITIES, TECHNOLOGY OR SOFTWARE WERE EXPORTED FROM THE UNITED STATES IN ACCORDANCE WITH THE EXPORT ADMINISTRATION REGULATIONS. DIVERSION CONTRARY TO U.S. LAW PROHIBITED.