

Surface Mount Common Mode Inductors

- Self Leaded , Auto Insertable
- Low RFI Toroid
- Rated Voltage 250V AC
- Isolation Voltage 3000Vrms
- Tape & Reel Packaging available

ELECTRICAL SPECIFICATION @25°C

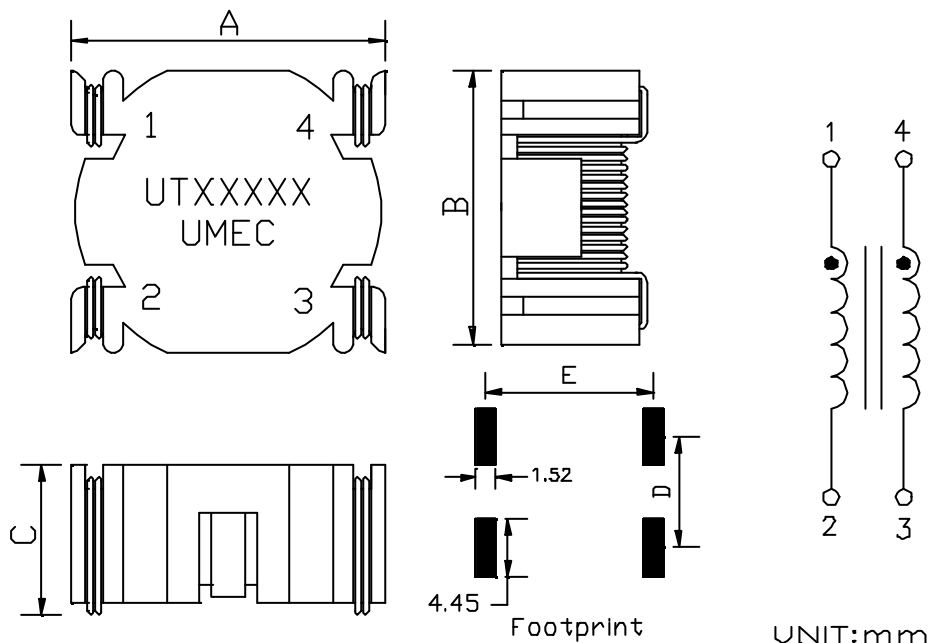
Model No.	I RMS (Amps)	OCL(mH±30%)	MAX DCR(mΩ)	SRF(MHz)	SIZE CODE
UT34187	3.5	1.0	28	4	DIM-2
UT34188	1.5	1.5	50	2	DIM-1
UT34189	2.3	3.0	70	2.2	DIM-2
UT30704	1.0	10	450	0.5	DIM-1
UT34190	0.5	22	850	0.3	DIM-1
UT34191	8	0.4	12	5	DIM-2

SIZE CODE (unit : mm)

	A (MAX)	B (MAX)	C (MAX)	D (±0.127)	E (±0.127)
DIM-1	16.38	14.60	8.90	8.64	13.46
DIM-2	19.56	17.02	9.90	11.30	16.76

* For RoHS compliant products, a.)The Ordering Code: TG-Model No. ex. TG-UT34187
 b.) Solder : Sn/Ag/Cu; c.)Date Code suffix to "G" (xxxxG)

DIMENSIONS & SCHEMATICS



*Specifications are subject to change without prior notice.

DATA SHEET 03-34 MAR./06
 1 OF 1



UNIVERSAL MICROELECTRONICS CO.,LTD.
 TEL:886-4-23590096 FAX:886-4-23590129

3,27TH RD.,TAICHUNG INDUSTRIAL PARK,
 TAICHUNG,TAIWAN,R.O.C