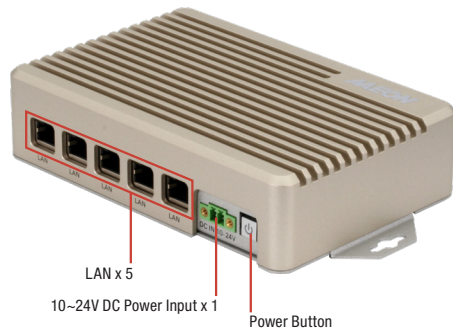


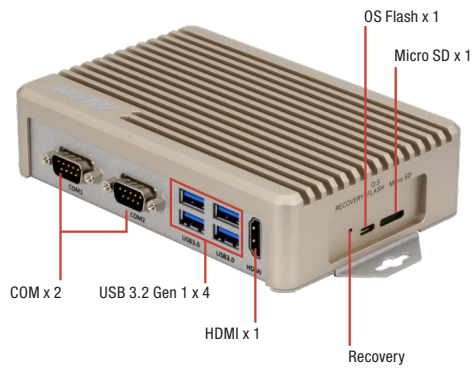
# BOXER-8230AI

AI@Edge Compact Fanless Embedded BOX PC with NVIDIA® Jetson™ TX2 NX

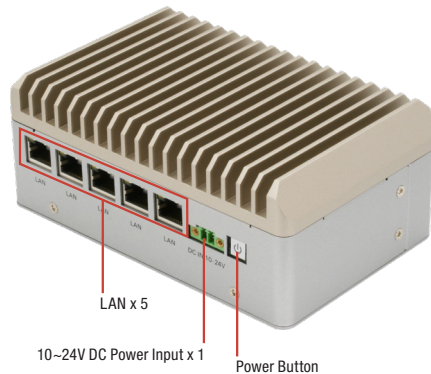
BOXER-8230AI-A3  
Front View



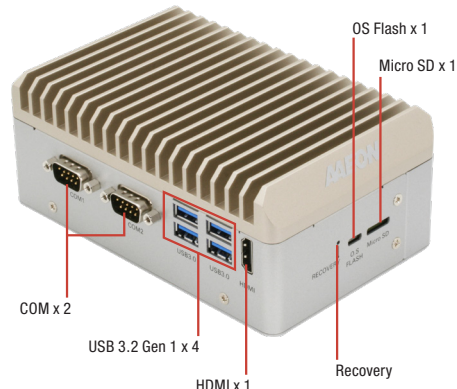
Rear View



BOXER-8230AI-A4  
Front View



Rear View



## Features

- NVIDIA® Jetson™ TX2 NX
- 4GB LPDDR4
- Multi-storage option: 16GB eMMC / MicroSD slot / 2.5" drive bay
- Support Operating Temperature -25°C ~ 75°C
- GbE LAN x 5
- USB 3.2 Gen 1 x 4
- 10~24Vdc Power input

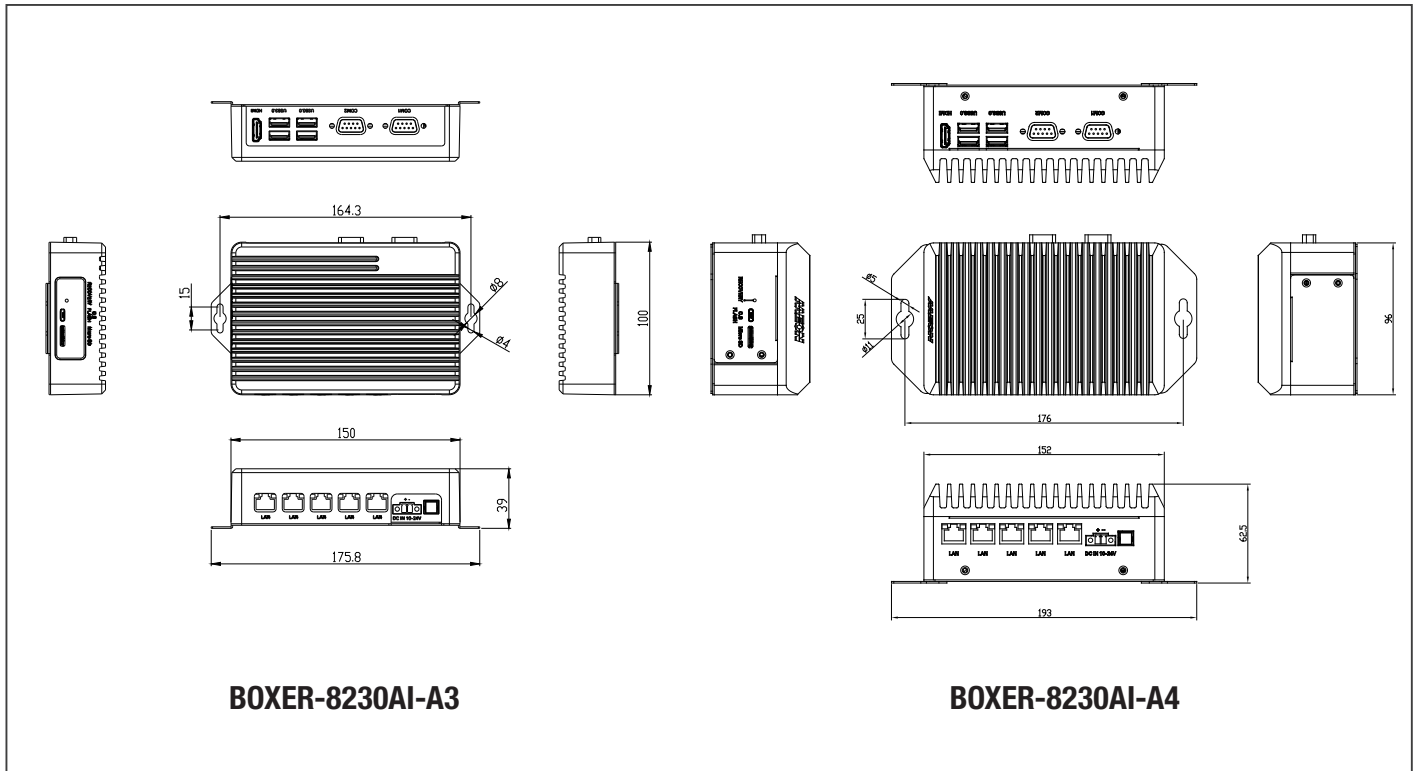


## Specifications

System	
AI Accelerator	NVIDIA® Jetson™ TX2 NX
CPU	NVIDIA® Denver 2 (Dual-Core) Processor & ARM® Cortex® -A57 MPCore (Quad-Core) Processor
System Memory	4GB 128-bit LPDDR4 @ 1600 MHz
Storage Device	eMMC 5.1 16GB MicroSD card slot x 1 2.5" SATA drive bay x 1 (A4 only)
Display Interface	HDMI Type A x 1 for HDMI 2.0
Ethernet	RJ-45 x 5 for GbE LAN
I/O	USB Type A x 4 for USB 3.2 Gen 1 DB-9 x 2 for RS-232 HDMI Type A x 1 for HDMI 2.0 MicroSD slot x 1 Micro USB x 1 for O.S Flash Recovery button x 1 Power button with power LED x 1
Expansion	SATA III Port x 1 for 2.5" SATA drive (A4 only)
Indicator	Power LED x 1
OS Support	Ubuntu 18.04
Power Supply	
Power Requirement	DC-in 10V~24V with 2-pin terminal block ATX mode
Mechanical	
Mounting	Wall mount kit
Dimensions (W x D x H)	A3 : 6.92" x 3.94" x 1.54"(175.8mm x 100.0mm x 39.0mm) A4 : 6.92" x 3.94" x 2.41"(175.8mm x 100.0mm x 61.3mm)
Gross Weight	A3 : 2.91lbs (1.3kg) A4 : 3.5lbs (1.6kg)
Net Weight	A3 : 1.51lbs (0.67kg) A4 : 2.0lbs (0.91kg)
Environmental	
Operating Temperature	A3 : -13°F ~ 149°F(-25°C ~ 65°C, according to IEC60068-2 with 0.5 m/s AirFlow) A4 : -13°F ~ 167°F(-25°C ~ 75°C, according to IEC60068-2 with 0.5 m/s AirFlow)
Storage Temperature	-40°F ~ 176°F (-40°C ~ 80°C)
Storage Humidity	5 ~ 95% @ 40°C, non-condensing
Anti-Vibration	3.5Grms / 5~500Hz / operation (eMMC, MicroSD, or SSD)
Anti-Shock	50G peak acceleration (11 msec. duration, eMMC, microSD, or SSD)
Certification	CE / FCC class A

## Dimension

Unit: mm



**BOXER-8230AI-A3**

**BOXER-8230AI-A4**

## Ordering Information

Part Number	AI Accelerator	LAN	USB 3.2 Gen1	RS-232	Storage	Display	Mounting	Power	Operation temp.
BOXER-8230AI-A3-1010	TX2 NX	5	4	2	16GB eMMC / MicroSD slot	HDMI x 1	Wallmount	DC 10V-24V	-25°C ~ 65°C with 0.5m/s airflow
BOXER-8230AI-A4-1010	TX2 NX	5	4	2	16GB eMMC / MicroSD slot/2.5" SATA drive bay	HDMI x 1	Wallmount	DC 10V-24V	-25°C ~ 75°C with 0.5m/s airflow

## Packing List

- Wallmount Bracket x 2 (A4 only)
- Screw Package x 1 (A4 only)
- 2.5" drive bracket x 1 (A4 only)
- Power Connector x 1
- BOXER-8230AI

## Optional Accessories

- 1255300611  
60W Power Adapter
- 1702031802  
Power Cord (US type)
- 1702031803  
Power Cord (European Type)
- 170203180E  
Power Cord (Japanese Type)