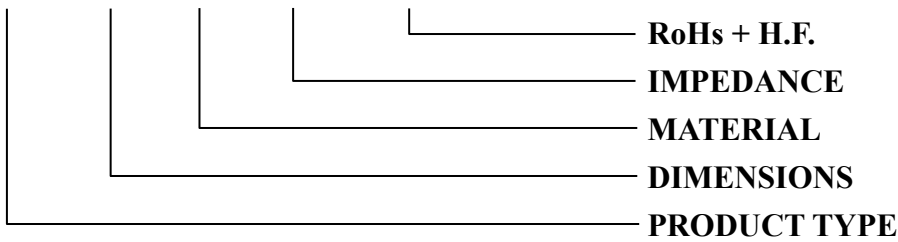


# SPECIFICATION FOR APPROVAL

※This is a RoHS and REACH compliant product whose related documents are available on request.  
 ※Graphic is only for dimensionally application.

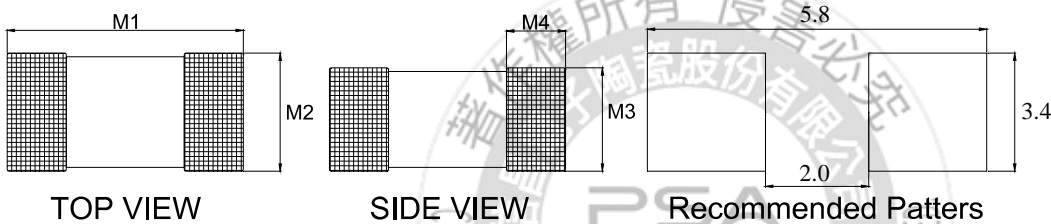
## 1. PART NUMBER IDENTIFICATION

**FB 453215 A □□□ - LRH**



## 2. MECHANICAL DIMENSION

UNIT: mm



	DIM.	TOL.
M1	4.50	±0.25
M2	3.20	±0.25
M3	1.50	±0.25
M4	0.60	±0.40

## 3. ELECTRICAL SPECIFICATION

Part number	Impedance (Ω) ±25%	Test Frequency (MHz)	DC Resistance (Ω) MAX.	Rated Current (mA)
FB453215A700-LRH	70	100	0.40	800
FB453215A800-LRH	80	100	0.40	800
FB453215A121-LRH	120	100	0.40	800

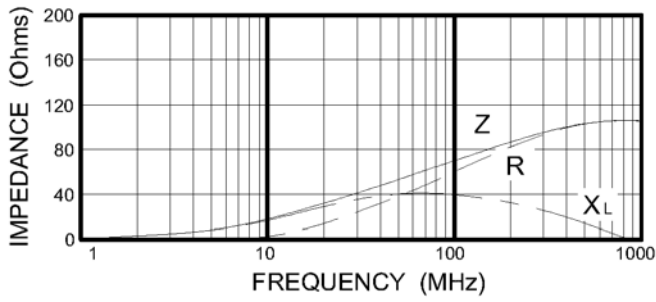
TEST INSTRUMENT: HP4291B、HP4338A/B、HP6632B、Agilent 8720ES

TEST LEVEL: 250 mV

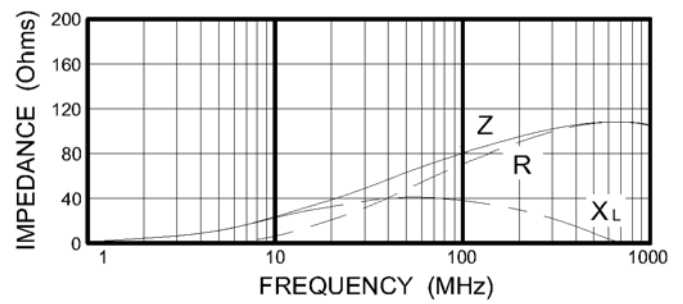
# SPECIFICATION FOR APPROVAL

## 4. ELECTRICAL CURVE

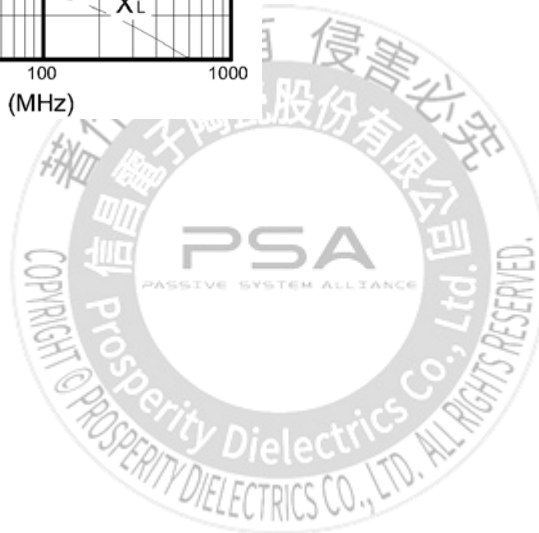
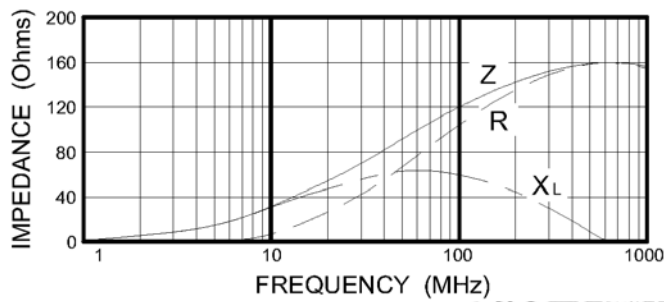
**FB453215A700-LRH**



**FB453215A800-LRH**



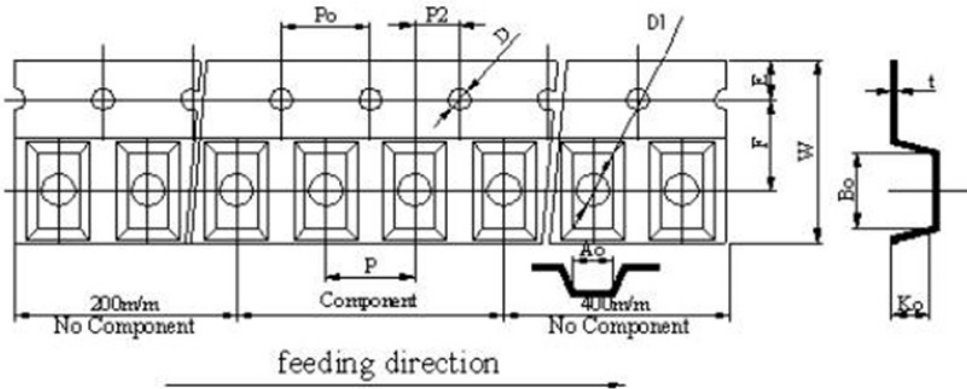
**FB453215A121-LRH**



# SPECIFICATION FOR APPROVAL

## 5. PACKING

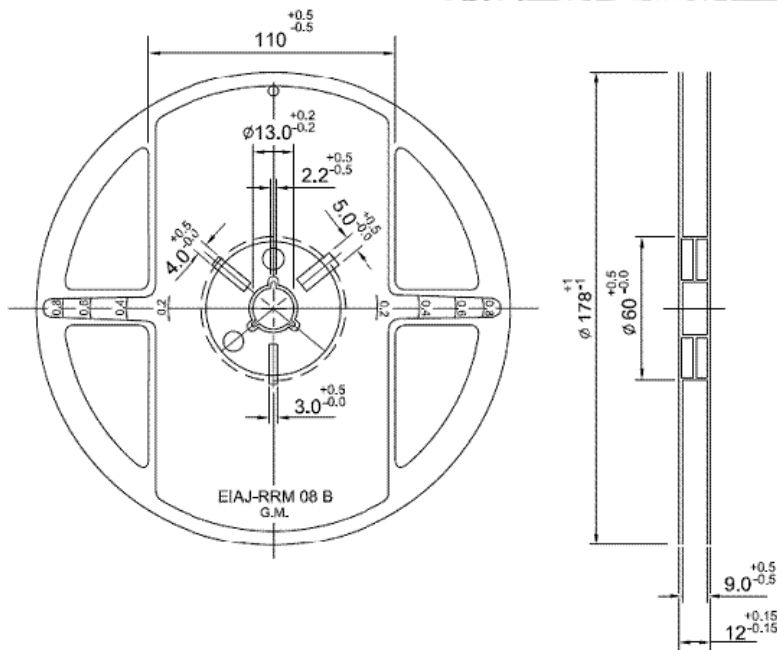
### 5.1 PLASTIC CARRIER



UNIT : mm

W	P	E	F	D	D1	Po	P2	Ao	Bo	Ko	t
$12.0\pm 0.10$	$8.00\pm 0.10$	$1.75\pm 0.10$	$5.50\pm 0.05$	$1.55\pm 0.05$	$1.50\sim 1.75$	$4.00\pm 0.10$	$2.00\pm 0.05$	$3.66\pm 0.10$	$4.95\pm 0.10$	$1.83\pm 0.10$	$0.23\pm 0.10$

### 5.2 REEL DIMENSIONS



### 5.3 Packaging Quantity

Reel	Inner Box
1,000 Pcs	4 Reels