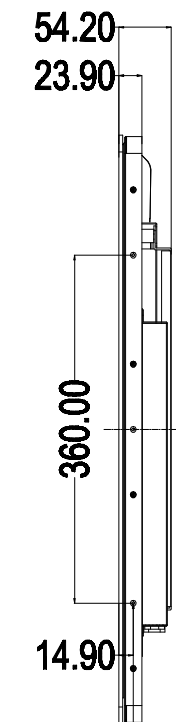
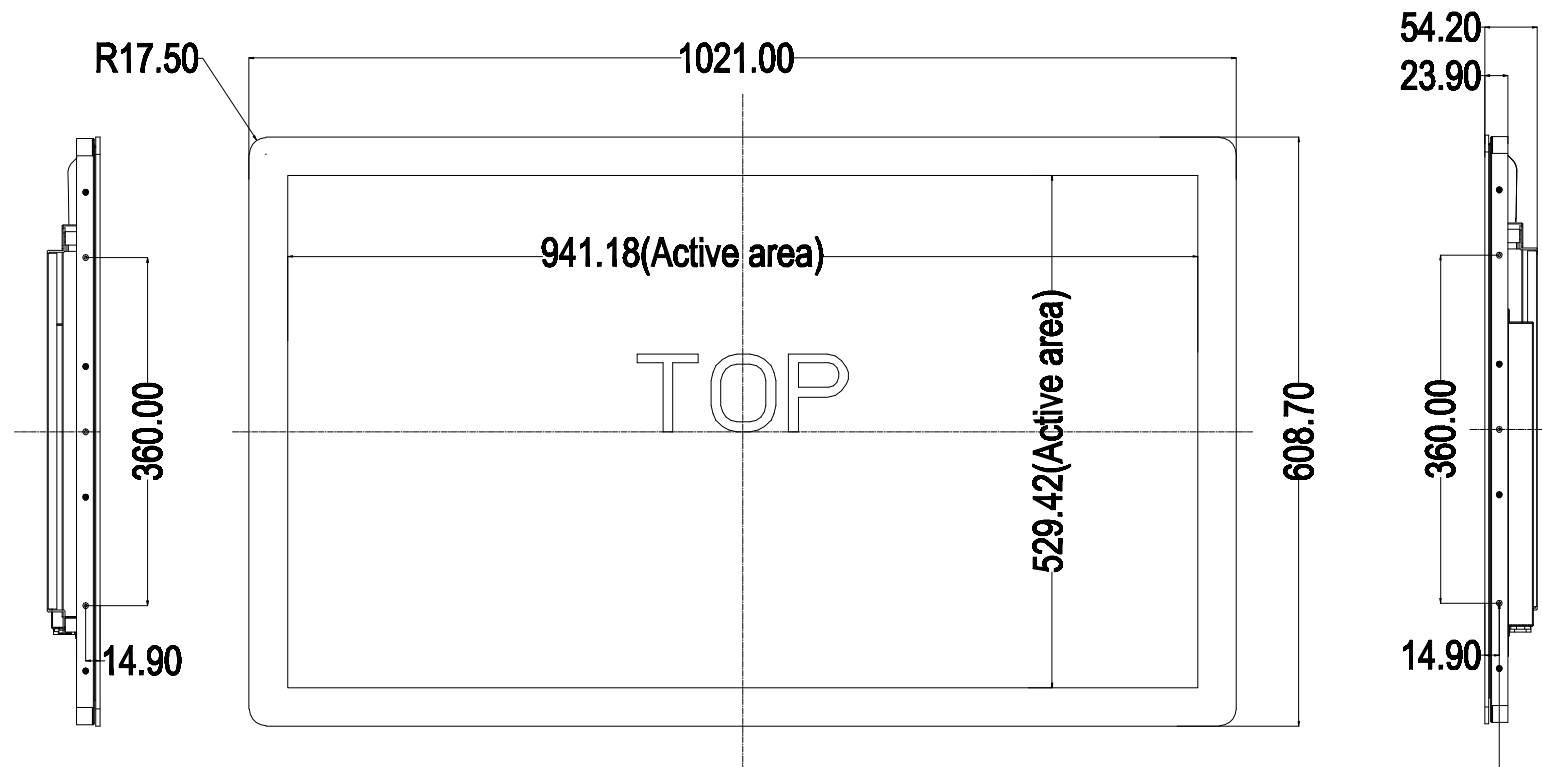
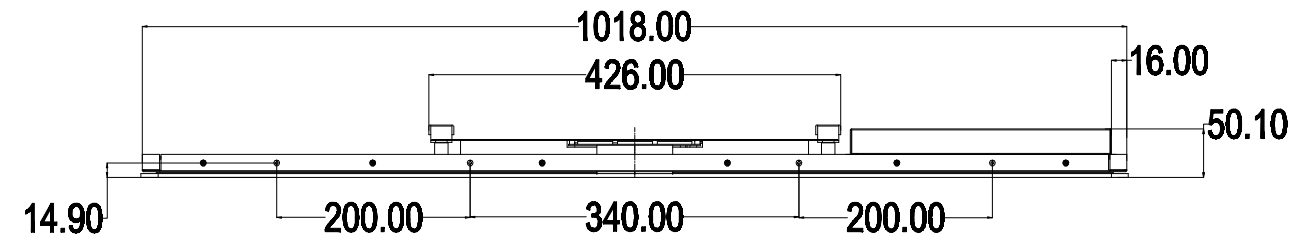
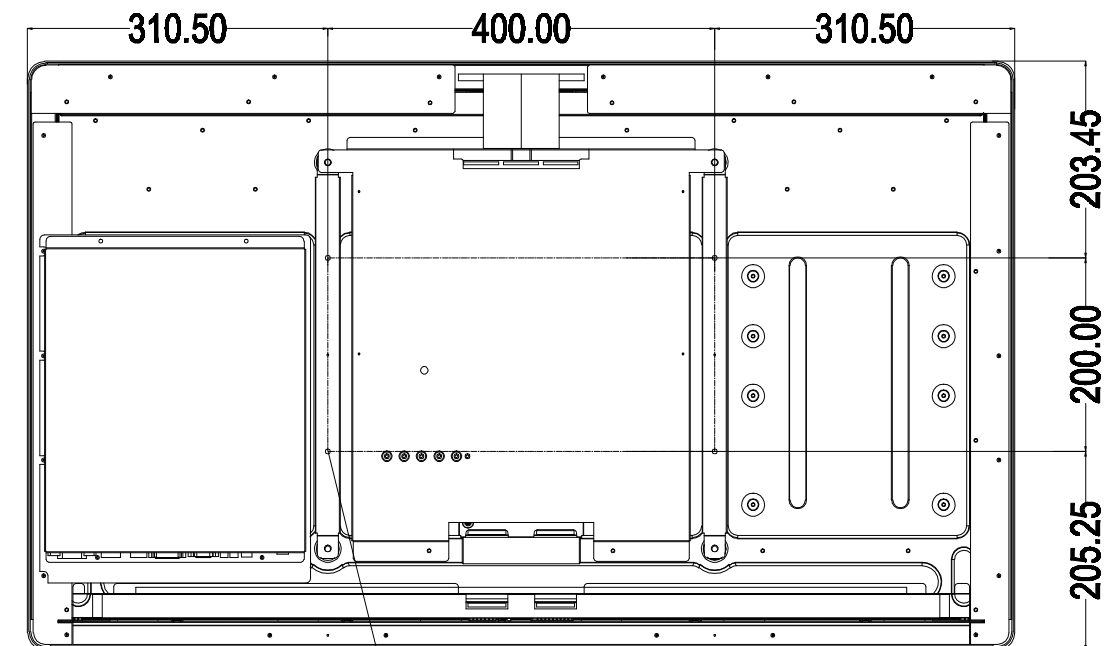


TITLE: OTL436-RPCZ05-UHPCDAGN4

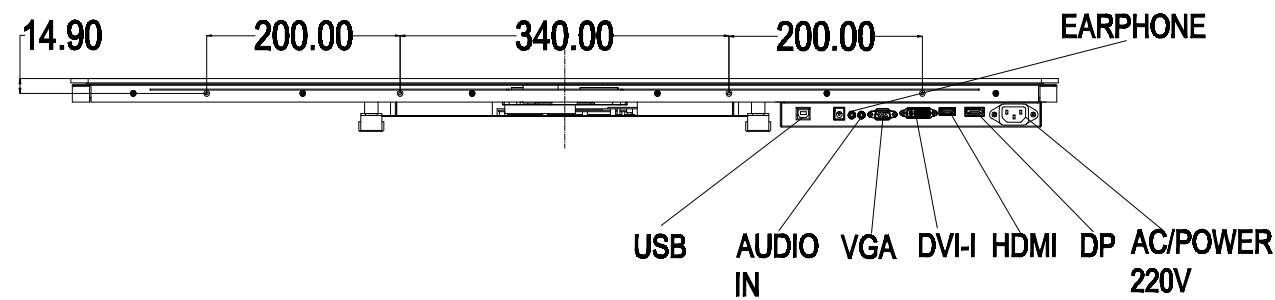
MARK	REVISED CONTENTS	DATE	SIGNATURE
△			



M4 THREAD, X14
MAX:SCREW DEPTH=10mm
FROM MOUNTING SURFACE



VESA:M6 THREAD, X4
MAX SCREW DEPTH=10 MM
FROM MOUNTING SURFACE



ALL DIMENSIONS ARE IN MILLIMETERS

GENERAL Touch		GeneralTouch Co.,Ltd.			
SPEC or MATERIAL REMARK	External Dimensions	1021*608.7*54.2	Anti-Glare	Y <input type="checkbox"/> N <input checked="" type="checkbox"/>	DESIGNER:
UNIT	DATE	Active Area	DustPro	Y <input type="checkbox"/> N <input checked="" type="checkbox"/>	TianGuoLiang
mm	2021/03/08	Glass Thickness			
Projection:		Silk Print Color	Black		CHECKED:
		Mounting	Vesa <input checked="" type="checkbox"/> Bracket <input type="checkbox"/>		WangZhengHua
SHEET 1 OF 1		NOTES			
RVE: 0.3	SCALE: 1:1	TOUCH TECHNOLOGY	P-CAP	<input checked="" type="checkbox"/> SAW	APPROVED:
Tolerance: ±1.5mm			IR/PIT	RESISTIVE	ZhouboLin
			Non-Touch		