



## EV Fuse HCEVF

### Product Application

- Pure Electric, Hybrid Vehicle
- BDU, PDU, MSD
- Battery Module
- Charging Pile
- Ultra-capacitor
- Low Speed Electric Vehicle
- All In One Motor controller
- Auxiliary Equipment Junction Box
- Battery Charger

### Product Overview

Product Series	Product Series	Voltage Range	Current Range	Use Category	Breaking Capacity
HCEVF1	British BS88	175-750VDC	10-400A	gR aR	20kA 50kA
HCEVF2	Ceramic Pipe	250-1000VDC	100-500A	gR aR	20kA 50kA
HCEVF3	The North American Style	500-1000VDC	40-500A	gR aR	20kA 50kA
HCEVF4	European Standard Square Body	800VDC	100-400A	aR	50kA
HCEVF5	European Standard Square Body	500-1000VDC	200-630A	gR aR	20kA 50kA

**HCEVF5** **European Standard Square Body**



**Features:**

This series of products are specially designed for the protection of electric vehicle HVDC system. It has the advantages of small size, light weight, low power consumption and small fuse I<sup>2</sup>t. Indicators can be installed as required.

**Basic Parameter:**

- Rated Voltage: 500-1000Vdc
- Rated Current: 200-630A
- Breaking Capacity: 20kA (L/R ≤ 2ms)  
50kA (L/R ≤ 2ms)
- Standard: ISO8820, GB/T31465
- RoHS
- Use Category: gR or aR

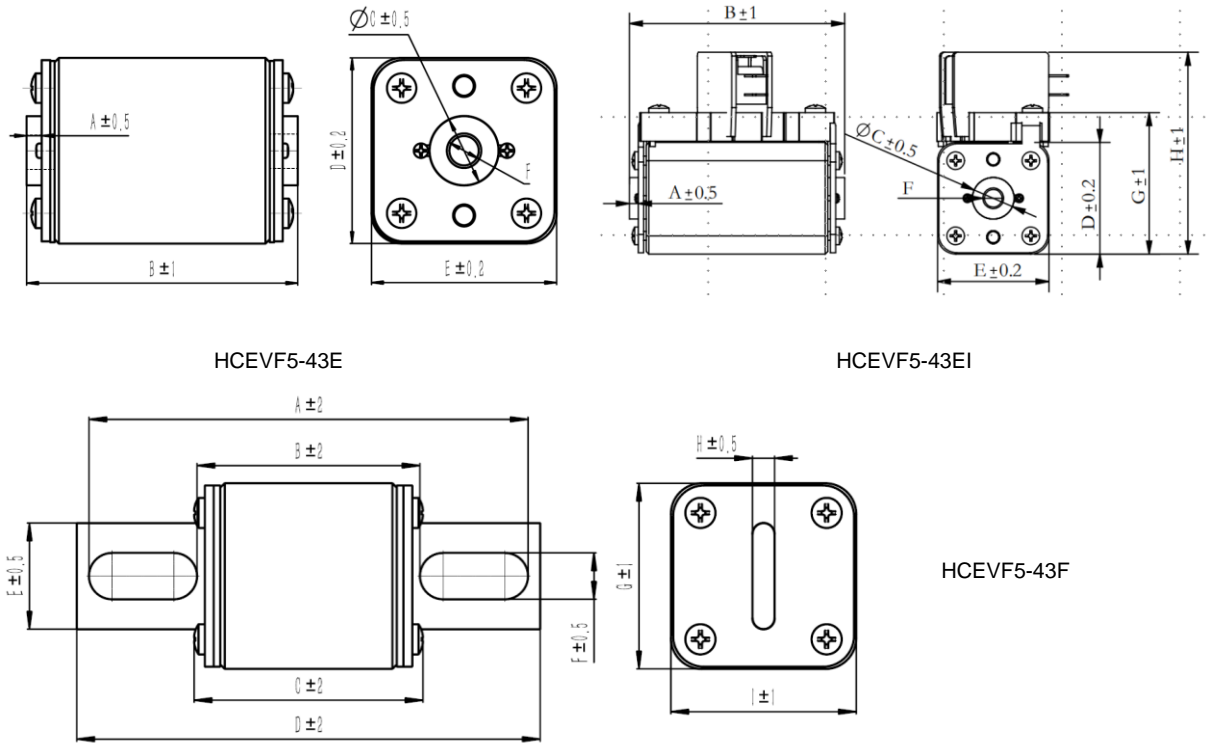
**Applications:**

- Pure Electric, Hybrid Vehicle
- Charging Pile
- Battery Module
- Ultra-capacitor

**Product Model**

	HC	EV	F	5	-	43F	-	300	/	750
HC Company Code										
EV Electric Vehicle										
F FUSE										
Series Code	5:European Standard Square Body									
Type	43F; 43E; 43EI									
Rated Current	200:200A; 250:250A; 300:300A; 350:350A; 400:400A; 450:450A; 500:500A; 630:630A									
Rated Voltage	500:500VDC; 750:750VDC; 1000:1000VDC									

**OUTLINE DIMENSIONS**



HCEVF5-43E

HCEVF5-43EI

HCEVF5-43F

Model	Rated Voltage (V)	Rated Current (A)	A(mm)	B(mm)	C(mm)	D(mm)	E(mm)	F(mm)	G(mm)	H(mm)	I(mm)
HCEVF5-43F-□/□	750	300	109.5	60.5	62	115	24	10.5	43	5	43
		350									
		400									
		450									
		500									
HCEVF5-43EI-□/□	1000	200	3.5	83	16	43	43	M8	55	80	/
		250									
		300									
		350									
		400									
HCEVF5-43E-□/□	500	400	6.5	63	16	43	43	M8	/	/	/
		450									
		500									
		630									
	750	300	6.5	63	16	43	43	M8	/	/	/
		350									
		400									
		450									
	1000	500	6.5	83	16	43	43	M8	/	/	/
		200									
250											
300											