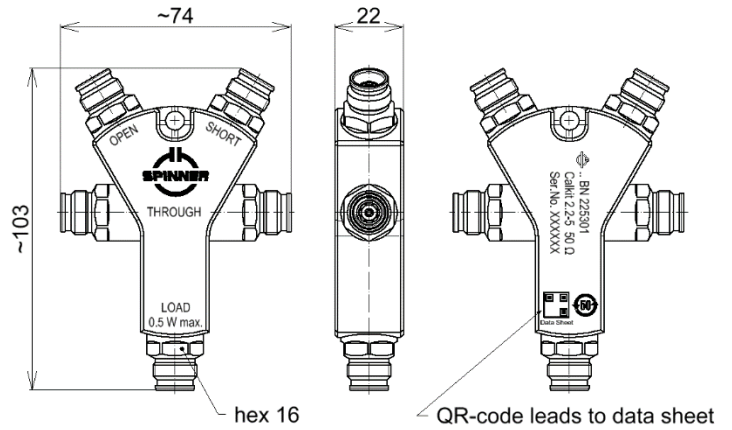


OSLT Compact Calibration Kit (4-in-1) || BN 225302



all dimensions in millimeter

Radio frequency characteristics

Interface type		2.2-5 socket per IEC 61169-66
Frequency range		DC to 7.5 GHz
THROUGH	Return loss, min.	34 dB @ DC to 4 GHz 31 dB @ 4 to 7.5 GHz
	Insertion loss, max.	$0.06 \text{ dB} \times \sqrt{f} \text{ (GHz)}$
OPEN	Phase deviation, max.	1.5 deg. @ DC to 4 GHz 2.5 deg. @ 4 to 7.5 GHz
		1 deg. @ DC to 4 GHz 2 deg. @ 4 to 7.5 GHz
LOAD	DC-resistance	$50 \Omega \pm 0.5 \Omega$
	Return loss, min.	40 dB @ DC to 4 GHz 37 dB @ 4 to 7.5 GHz
		Power rating, max.

SPINNER GmbH
 This document is proprietary to us.
 All rights reserved. Any use, transfer, or reproduction of this document
 or the know-how contained therein requires our express consent.

OSLT Compact Calibration Kit (4-in-1) || BN 225302

Calibration data

Format		Keysight (former Agilent) / Anritsu	Rohde & Schwarz
THROUGH	Electrical delay / length	234.596 ps	70.33 mm
OPEN	C0	$120 \times 10^{-15} \text{ F}$	120 fF
	C1	$2370 \times 10^{-27} \text{ F/Hz}$	2.37 fF/GHz
	C2	$-200 \times 10^{-36} \text{ F/Hz}^2$	$-0.2 \text{ fF}/(\text{GHz})^2$
	C3	$11.4 \times 10^{-45} \text{ F/Hz}^3$	$0.0114 \text{ fF}/(\text{GHz})^3$
	Offset	70.049 ps	21 mm
SHORT	L0	$73 \times 10^{-12} \text{ H}$	73 pH
	L1	$-4000 \times 10^{-24} \text{ H/Hz}$	-4 pH/GHz
	L2	$300 \times 10^{-33} \text{ H/Hz}^2$	$0.3 \text{ pH}/(\text{GHz})^2$
	L3	$-7.1 \times 10^{-42} \text{ H/Hz}^3$	$-0.0071 \text{ pH}/(\text{GHz})^3$
	Offset	70.049 ps	21 mm
Offset loss		1.5 GΩ/s	

Mechanical characteristics

Center conductor material / surface finish	CuBe age hardened, copper alloy / gold-plated
Outer conductor material / surface finish	copper alloy / gold-plated
Insulation	LCP, cross linked polystyrene
Other metallic parts / surface finish	aluminium / anodised (blue)
Weight, approx.	0.3 kg
Marking	laser engraving

Component Name	Toxic or Hazardous Substances and Elements					
	Pb	Hg	Cd	Cr 6+	PBB	PBDE
Metal parts	X	O	O	O	O	O

The environmental protection use period of 50 years is valid, if the product is used as intended.

Environmental conditions

Operation	
Ambient temperature range	-10 to +55°C
Storage	
Ambient temperature range	-40 to +70°C (in line with EN 60068-2-1 and EN 60068-2-2)

Scope of delivery and accessories

Scope of delivery	certificate of calibration, protective caps, protective bag, data sheet, handling instructions
-------------------	--

SPINNER GmbH
 This document is proprietary to us.
 All rights reserved. Any use, transfer, or reproduction of this document
 or the know-how contained therein requires our express consent.