



## 2.92mm Female Connector Clamp/Solder Attachment For PE-SR402AL, PE-SR402FL, RG402

### TECHNICAL DATA SHEET

**PE44227**

#### 2.92mm Female Connector Clamp/Solder Attachment For PE-SR402AL, PE-SR402FL, RG402

##### Configuration

Connector	2.92mm Female
Connector Interface Type	PE-SR402AL, PE-SR402FL, RG402
Cable Attachment Method (Shield/Contact)	Clamp/Solder
Body Style	Straight

##### Electrical Specifications

Impedance, Ohms	50
-----------------	----

##### Mechanical Specifications

###### Size

Length, in [mm]	0.945 [24]
Width/Dia., in [mm]	0.37 [9.40]
Weight, lbs [g]	0.013 [5.9]

###### Connector

Type	2.92mm Female
Contact Material and Plating	Gold
Body Material and Plating	Passivated Stainless Steel
Dielectric Type	PPO

##### Compliance Certifications (visit [www.Pasternack.com](http://www.Pasternack.com) for current document)

RoHS Compliant	Yes
----------------	-----

##### Plotted and Other Data

Notes:	Values at 25 °C, sea level
--------	----------------------------

2.92mm Female Connector Clamp/Solder Attachment For PE-SR402AL, PE-SR402FL, RG402 from Pasternack Enterprises has same day shipment for domestic and International orders. Our RF, microwave and fiber optic products maintain a 99% availability and are part of the broadest selection in the industry.

Click the following link (or enter part number in "SEARCH" on website) to obtain additional part information including price, inventory and certifications: [2.92mm Female Connector Clamp/Solder Attachment For PE-SR402AL, PE-SR402FL, RG402 PE44227](http://www.pasternack.com/2.92mm-female-standard-pe-sr402al-pe-sr402fl-rg402-connector-pe44227-p.aspx)

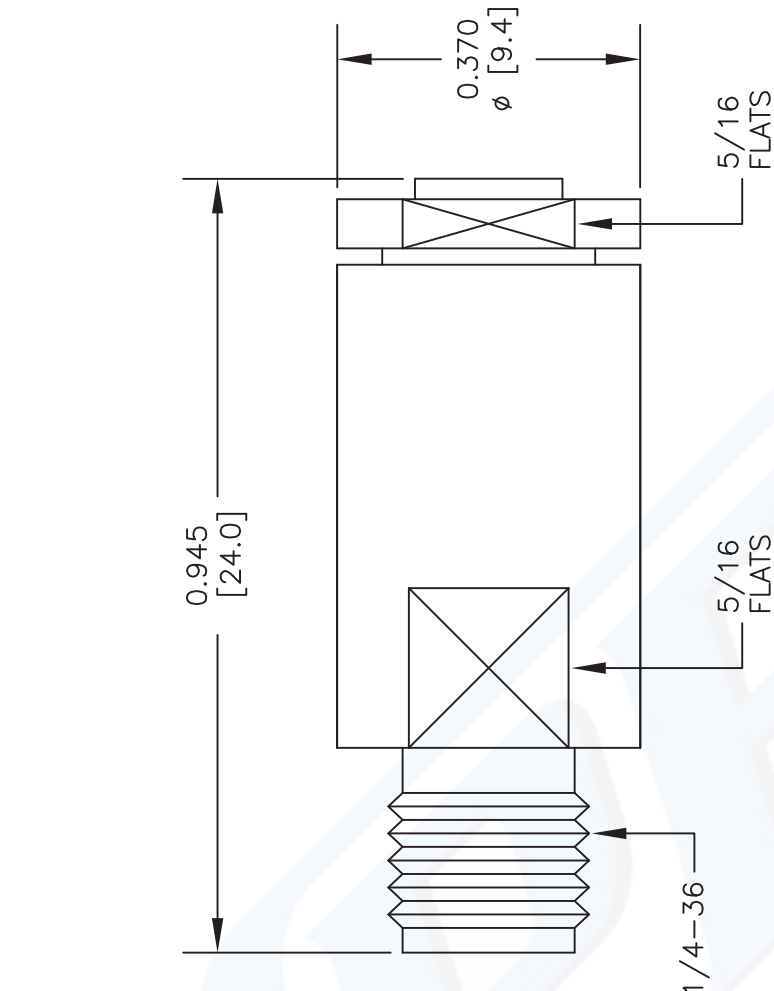
URL: <http://www.pasternack.com/2.92mm-female-standard-pe-sr402al-pe-sr402fl-rg402-connector-pe44227-p.aspx>

The information contained in this document is accurate to the best of our knowledge and representative of the part described herein. It may be necessary to make modifications to the part and/or the documentation of the part, in order to implement improvements. Pasternack reserves the right to make such changes as required. Unless otherwise stated, all specifications are nominal.



# PE44227 CAD Drawing

2.92mm Female Connector Clamp/Solder Attachment  
For PE-SR402AL, PE-SR402FL, RG402



A)

B)

### STRIPPING DIMENSIONS

### ASSEMBLY PROCEDURES

1. SLIDE CLAMP NUT OVER CABLE. STRIP CABLE AS SHOWN IN (A). DO NOT NICK DIELECTRIC.
2. INSERT CABLE THRU ADAPTER UNTIL IT BOTTOMS OUT. SOLDER OUTER CONDUCTOR TO ADAPTER & TRIM DIELECTRIC AS SHOWN IN (B).
3. SCREW ASSEMBLY INTO BODY & TIGHTEN NUT.

DWG TITLE

**PE44227**

FSCM NO. 53919

NOTES:  
1. UNLESS OTHERWISE SPECIFIED ALL DIMENSIONS ARE NOMINAL.  
2. ALL SPECIFICATIONS ARE SUBJECT TO CHANGE WITHOUT NOTICE AT ANY TIME.  
3. DIMENSIONS ARE IN INCHES [mm].  
4. FITS MIL-C-17 AND EQUIVALENT CABLES.

CAD FILE 081513

SCALE N/A

SIZE A

2233



**PASTERNAK®**  
Pasternack Enterprises, Inc.  
P.O. Box 16759 | Irvine | CA | 92623  
Phone: (949) 261-1920 | Fax: (949) 261-7451  
Website: www.pasternack.com | E-Mail: sales@pasternack.com



ES France - Département RF & Hyperfréquences  
127 rue de Buzenval BP 26 - 92380 Garches



Tél. 01 47 95 99 60  
Fax. 01 47 01 16 22



e-mail : hyper@es-france.com  
Site Web : www.es-france.com