



SSD4475-I

44.7" Resizing LCD, 1000 nits LED Backlight, 2160x2160 Square Display aspect ratio 1:1

The SSD4475-I is a 44.7 inch color Resizing-LCD display with special aspect ratio 1:1 and wide resolution 2160 x 2160. It is Litemax's Spanixel series product which designed for high brightness 1000 nits with power efficiency LED backlight. It provides LCD panel with specific aspect ratios and sunlight readable for digital signage, public transportation, exhibition hall, department store, and vending machine.

Key Features

- Resizing LCD
- 44.7" Square Display
- Special Screen 1:1
- High Brightness 1000 nits
- Sunlight Readable
- LED Backlight
- Low Power Consumption
- BL MTBF: 100,000 hours



Specifications

Model Name	SSD4475-I
Description	44.7" Resizing LCD, 1000nits LED Backlight, 2160 x 2160
Screen Size	44.7"
Display Area (mm)	803.52(H) x 803.52(V)
Brightness	1000 cd/m ²
Resolution	2160 x 2160
Aspect Ratio	1:1
Contrast Ratio	6200 : 1
Pixel Pitch (mm)	0.372(H) x 0.372 (V)
Pixel Pre Inch (PPI)	68
Viewing Angle	178°(H),178°(V)
Color Saturation (NTSC)	83%
Display Colors	1.07G
Response Time (Typical)	9.5ms
Panel Interface	V-by-One
Input Interface	HDMI, DP
Input Power	DC24V
Power Consumption	140W
OSD Key	5 Keys (Power Switch, Menu, +, -,Exit)
OSD Control	Brightness, Color, Contrast, Auto Turing, H/V Position...etc
Dimensions (mm)	831.8 x 831.8 x 75.4
Bezel Size(U/B/L/R)	14.14/14.14/14.14/14.14 mm
Mounting	VESA 400x300 , 400x200
Weight (Net)	21Kg
Operating Temperature	0 °C ~ 50 °C
Storage Temperature	-20 °C ~ 60 °C

SSD = Panel + LED Driving Board + AD Control Board + Chassis

Specifications are subject to change without notice.

All brands or product names are trademarks or registered trademarks of their respective companies.

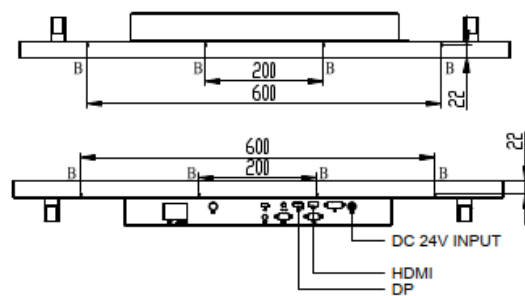
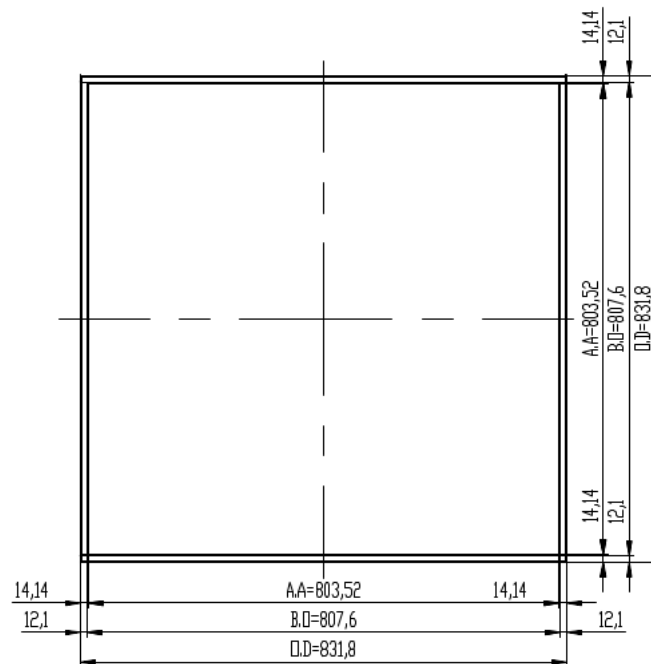
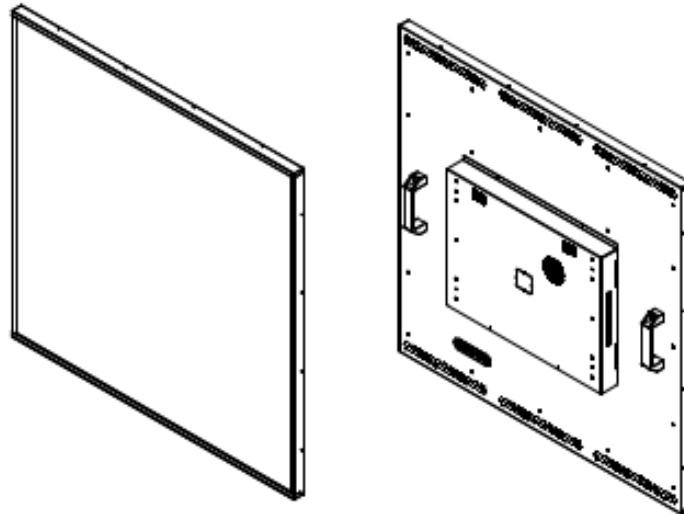


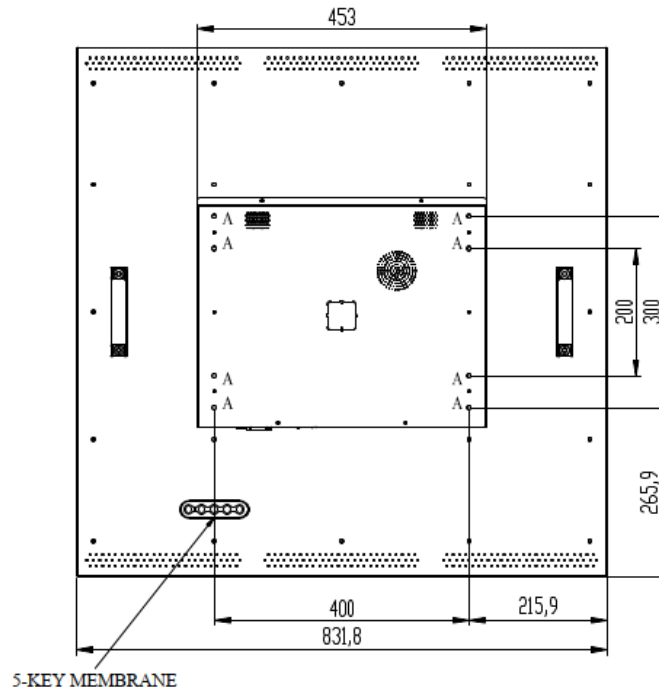
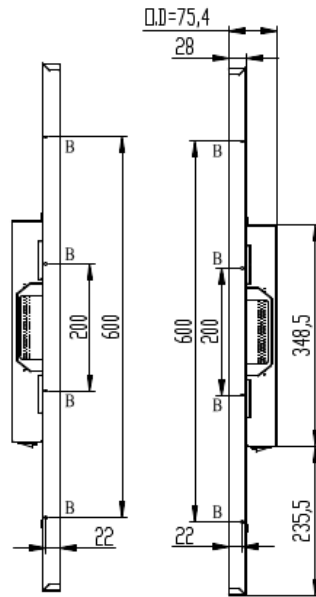


Mechanical Drawing

Outline Dimensions

Unit:mm





Note:

O.D : Outline Dimension

B.O : Bezel Opening

A.A : LCD Active Area

A:8-M6 USER HOLE _MAX. DEPTH=20mm

B:16-M4 USER HOLE _MAX. DEPTH=10mm





Ordering Information

Part Number	Description
SSD4475-INU-M11	44.7",1000nits,2160x2160,LID44C,AD9131HP,O/B,DC24V,2in1,V1

Optional Accessories

Part Number	Description
840613141200	ADAPTER,AC/DC,24V/7.5A,180W.FSP180-AAAN3,Power Din,P
810618301010	CABLE,POWER,AC,1830mm USA type
810618301090	CABLE,POWER,AC,1830mm Europe type
810618301050	CABLE,POWER,AC,1830mm UK type
810618301170	CABLE,POWER,AC,1830mm Australia type
810618301031	CABLE,POWER,AC,1830mm Japan type

Customer request

Touch	PCT (Multi-Touch)
Glass	Tempered glass, AR coating.....

