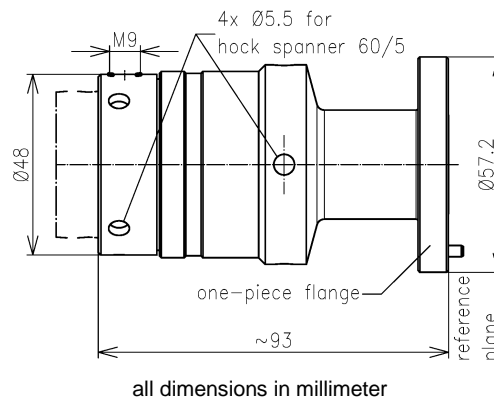


Cable Plug 7/8" EIA for LCF/LCFS 114-50 || BN 715587



SPINNER GmbH  
 This document is proprietary to us.  
 All rights reserved. Any use, transfer, or reproduction of this document  
 or the know-how contained therein requires our express consent.

Interface type	7/8" EIA (50 Ω) per IEC 60339-2 one-piece flange	
Version	CAF®	
Frequency range	DC to 3.30 GHz	
VSWR, max. / typ.	1.02 @ DC to 1.00 GHz 1.04 @ 1.00 to 2.20 GHz 1.06 @ 2.20 to 2.70 GHz 1.08 @ 2.70 to 3.30 GHz	
Inner conductor material / surface finish	copper alloy / silver plated	
Outer conductor material / surface finish	copper alloy / silver plated	
Other metal parts / surface finish	copper alloy / nickel plated	
Insulation	PTFE	
Sealing	silicone rubber, PLAST 2000	
IP protection level	IP68 per EN 60529 (interface connected with appropriate gasket)	
Cable compatibility	RFS	LCFS 114-50 A, LCFS 114-50 L UCF 114-50 A, UCF 114-50 L
Installation instructions / Product manual	M30796	
Weight, approx.	620 g	
Scope of delivery	protective cap, cover, installation instructions	

Template TD-00003F