



DLD3206-B 32" TFT LCD, 1200 nits LED Backlight, 1920x1080

The DLD3206-B is a 32 inch industrial grade sunlight readable LCD, with high brightness 1200 nits, it produce sharp images, crisp text and lifelike colors. The Durapixel LED backlight technology ensures high reliability and low power consumption, suitable for outdoor application, kiosk, factory automation, military, transportation and gaming application.

Key Features

- High Brightness 1200 nits
- Sunlight Readable
- Wide Viewing Angle of 178°(H), 178°(V)
- LED Backlight
- Low Power Consumption
- BL MTBF: 100,000 hours



Specifications

Model Name	DLD3206-B
Description	32" TFT LCD, 1200nits LED Backlight, 1920x1080
Screen Size	32"
Display Area (mm)	698.4(H) x 392.85(V)
Brightness	1200 cd/m ²
Resolution	1920x1080
Aspect Ratio	16:9
Contrast Ratio	1200 : 1
Pixel Pitch (mm)	0.36375(H) x 0.36375 (V)
Pixel Pre Inch (PPI)	69
Viewing Angle	178°(H),178°(V)
Color Saturation (NTSC)	82%
Display Colors	16.7M
Response Time (Typical)	8ms
Panel Interface	LVDS
Input Interface	DVI-I, HDMI, DP
Input Power	AC100~240V
Power Consumption	74W
OSD Key	4 Keys (Power Switch, Menu, +, -)
OSD Control	Brightness, Color, Contrast, Auto Turing, H/V Position...etc
Dimensions (mm)	718.8x 417.7x 63.35
Bezel Size(U/B/L/R)	10.25/14.6/10.2/10.2 mm
Mounting	200x200,100x100
Weight (Net)	7.9 kg
Operating Temperature	0 °C ~ 50 °C
Storage Temperature	-20 °C ~ 60 °C

DLD= Panel + LED Driving Board + AD Control Board + Chassis

Specifications are subject to change without notice.

All brands or product names are trademarks or registered trademarks of their respective companies.

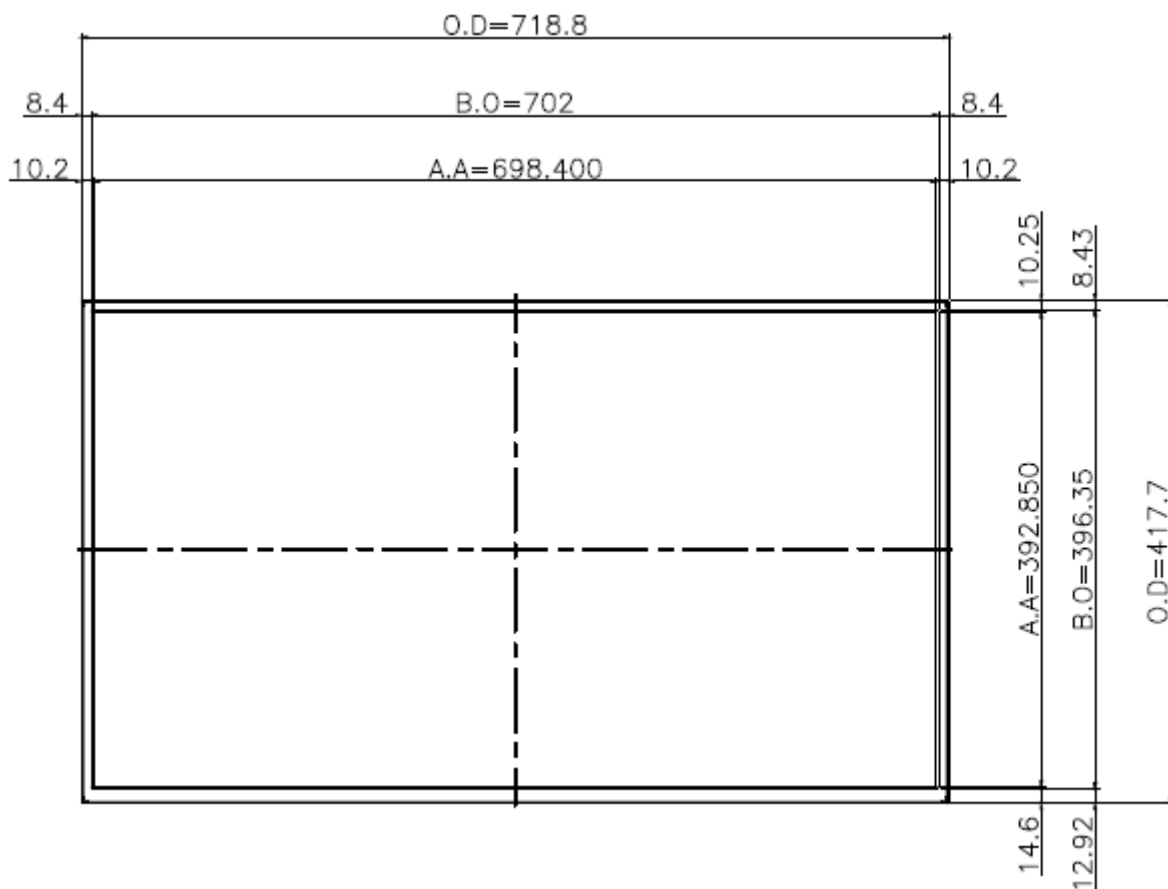
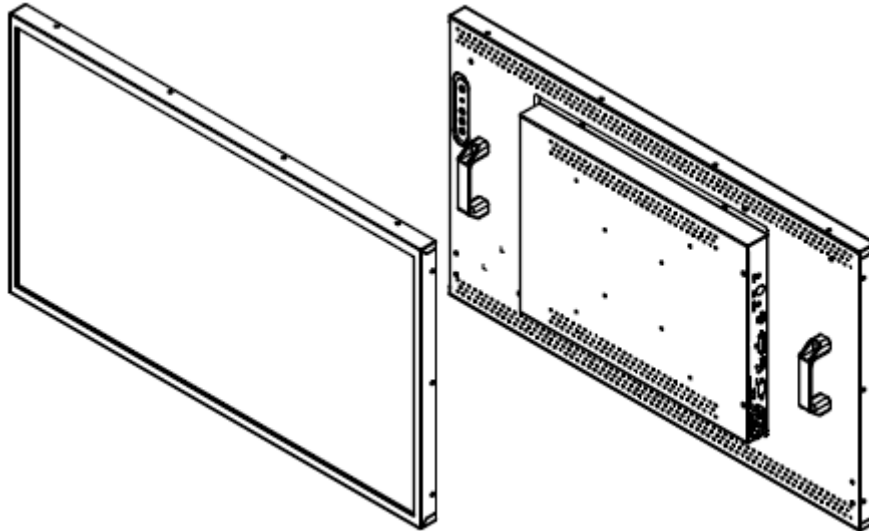


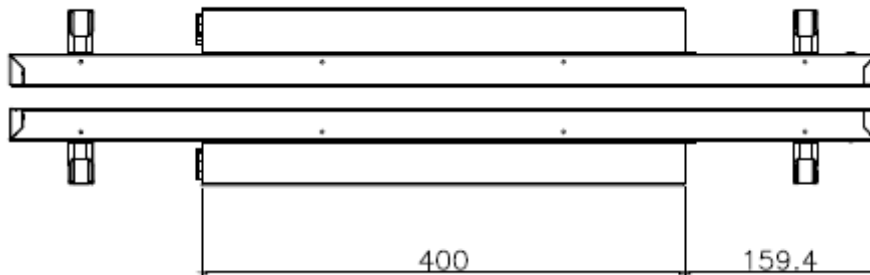
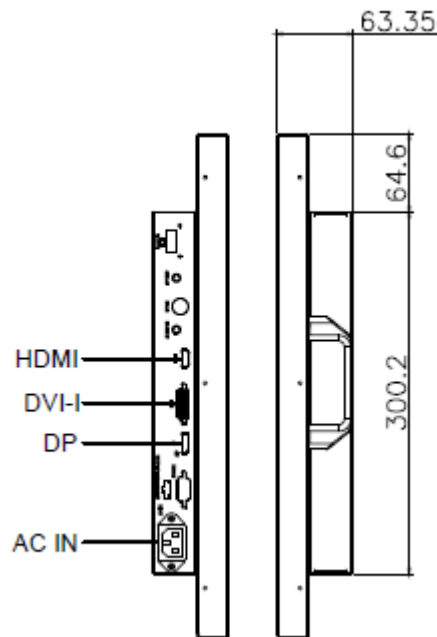
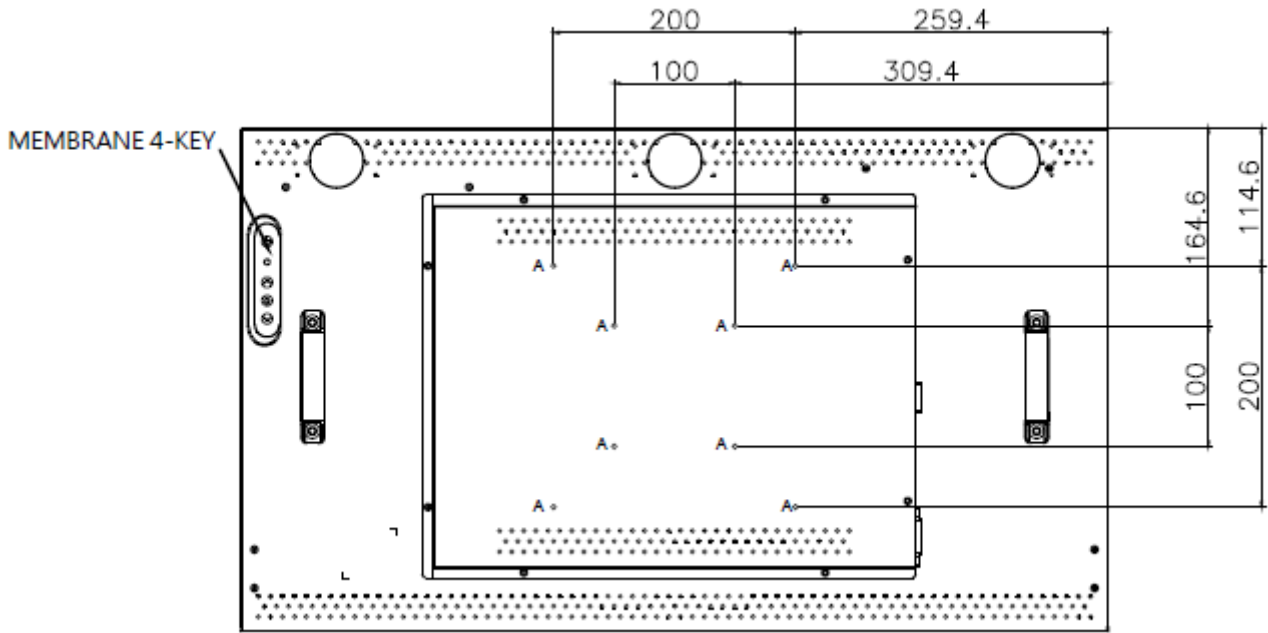


Mechanical Drawing

Outline Dimensions

Unit:mm







Note :
 O.D. : Outline Dimension
 B.O. : Bezel Opening
 A.A. : LCD Active Area
 A : 8-M4_USER HOLE_MAX_DEPTH=6mm

Ordering Information

Part Number	Description
DLD3206-BNB-Q11	32",1200nits,1920x1080,LID32C,AD8891DHP,O/B,AC100~240V,V1

Optional Accessories

Part Number	Description
810618301010	CABLE,POWER,AC,1830mm USA type
810618301090	CABLE,POWER,AC,1830mm Europe type
810618301050	CABLE,POWER,AC,1830mm UK type
810618301170	CABLE,POWER,AC,1830mm Australia type
810618301031	CABLE,POWER,AC,1830mm Japan type

Customer request

Touch	SCT (Single-Touch), PCT (Multi-Touch)
Glass	Tempered glass, AR coating.....

