

BROADBAND ANTENNAS

OMNILOG[®]

SERIES

Omni-directional broadband antenna with up to 8 GHz frequency range and high gain



✓ Perfectly usable with Spectrum Analyzers for omnidirectional measurements

✓ SMA-connector with heavy-duty 90° knuckle base
✓ Very compact design, lightweight

AARONIA AG
WWW.AARONIA.COM



ES France - Département Tests & Mesures
127 rue de Buzenval BP 26 - 92380 Garches



Tél. 01 47 95 99 45



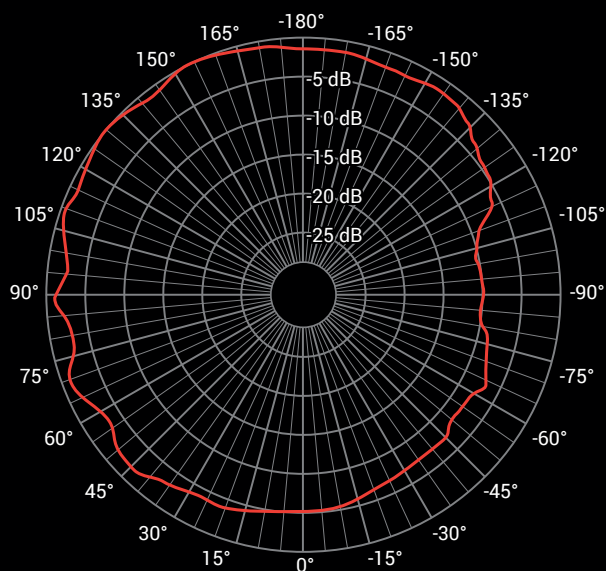
e-mail : tem@es-france.com
Site Web : www.es-france.com

Specifications

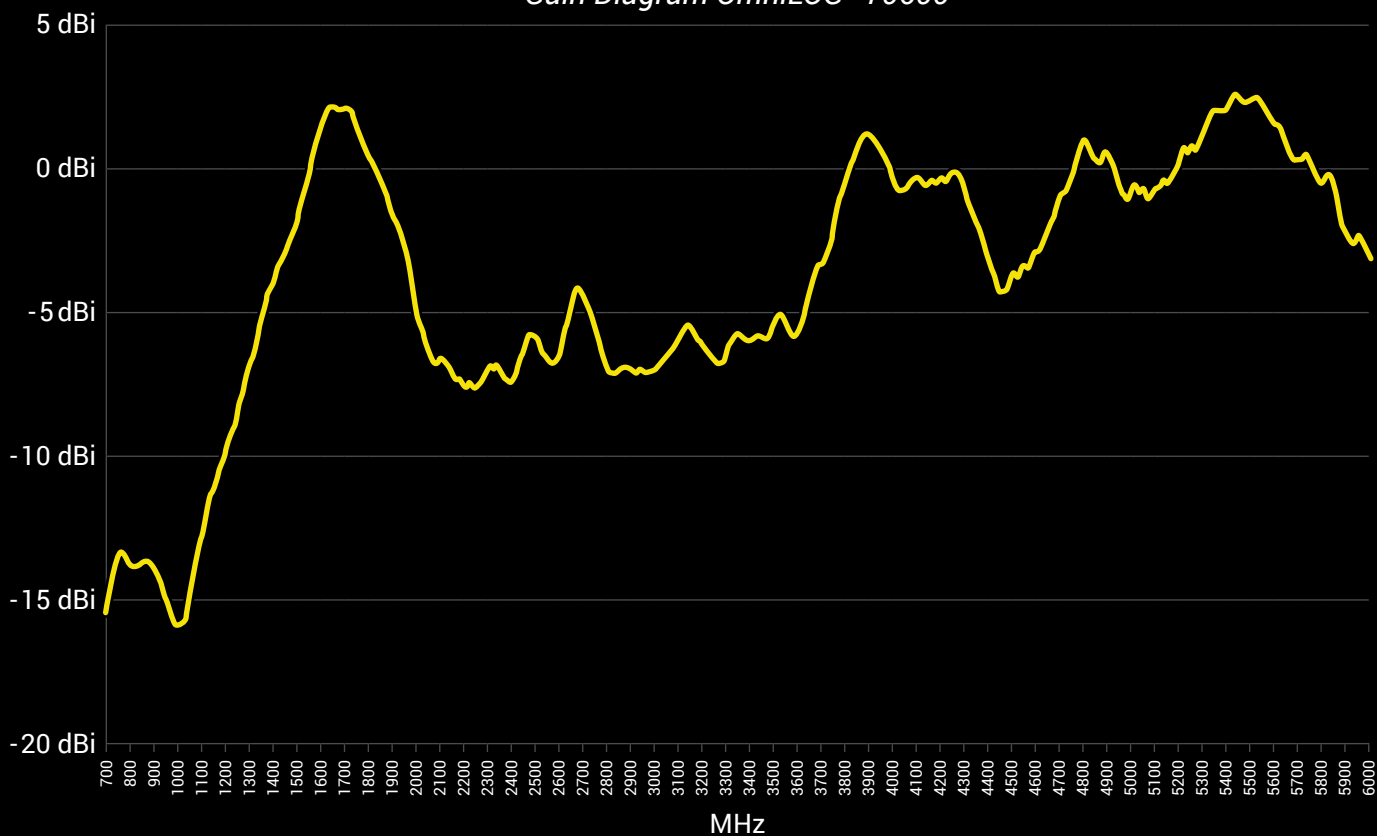
OmniLOG® 70600

Dimensions [L x W x D]	173 x 62 x 9 mm
Weight	54 g
Design	Omnidirectional
RF Connection	SMA (male)
Frequency Range	680 MHz – 6 GHz
Nominal Impedance	50 Ohm
VSWR (typ.)	< 3:1
Max. Input Power	5 W
Temperature Range	- 40° C – + 85° C
Relative Humidity	0% – 95%
Polarisation	Linear
Warranty	2 years
RoHs compliant	

Horizontal Pattern OmniLOG® 70600

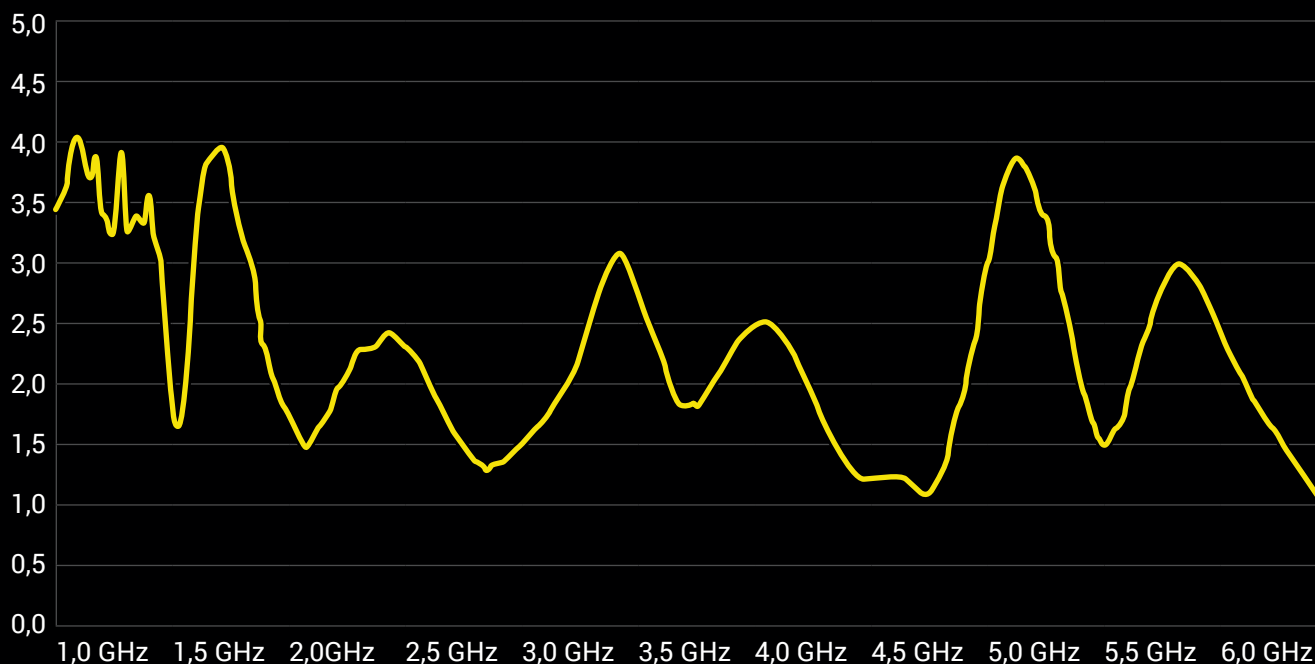


Gain Diagram OmniLOG® 70600

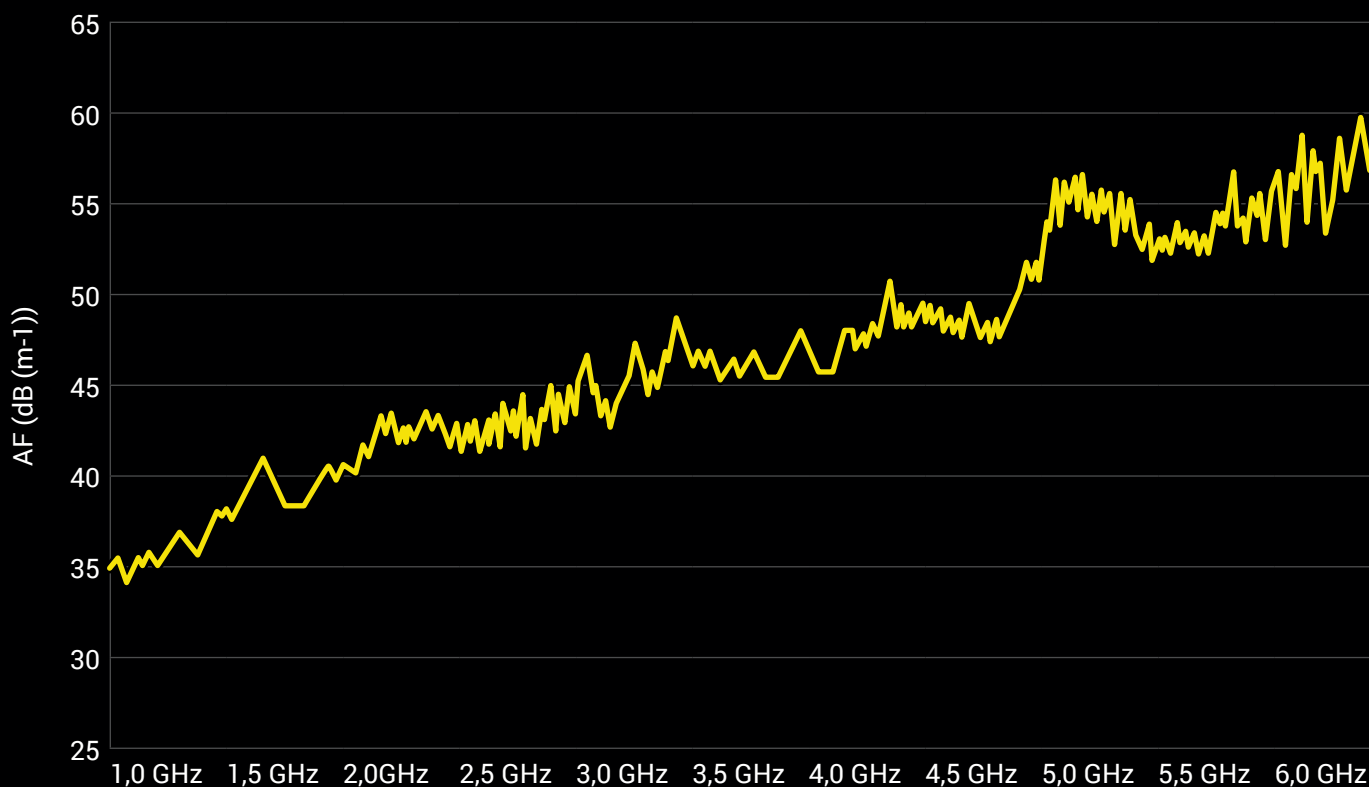


Specifications

VSWR Diagram OmniLOG® 70600



Antenna Factor Diagram OmniLOG® 70600

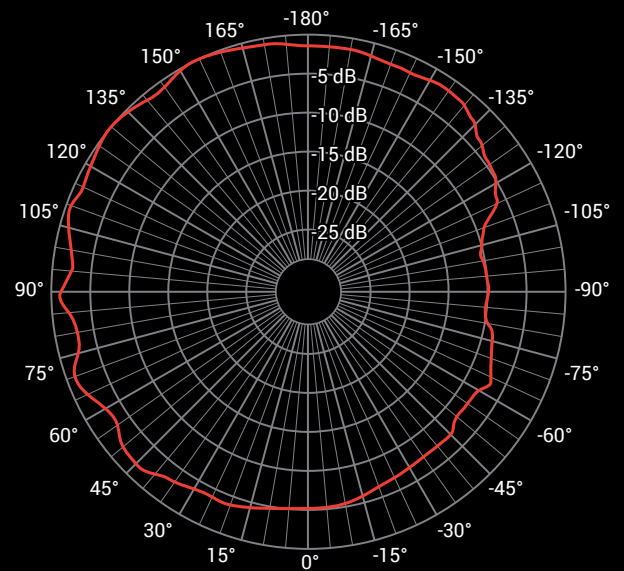


Specifications

OmniLOG® 30800

Dimensions [L x W x D]	173 x 62 x 9 mm
Weight	54 g
Design	Omnidirectional
RF Connection	SMA (male)
Frequency Range	300 MHz – 8 GHz
Nominal Impedance	50 Ohm
VSWR (typ.)	< 3:1
Max. Input Power	5 W
Temperature Range	- 40° C – + 85° C
Relative Humidity	0% – 95%
Polarisation	Linear
Warranty	2 years
RoHs compliant	

Horizontal Pattern OmniLOG® 30800

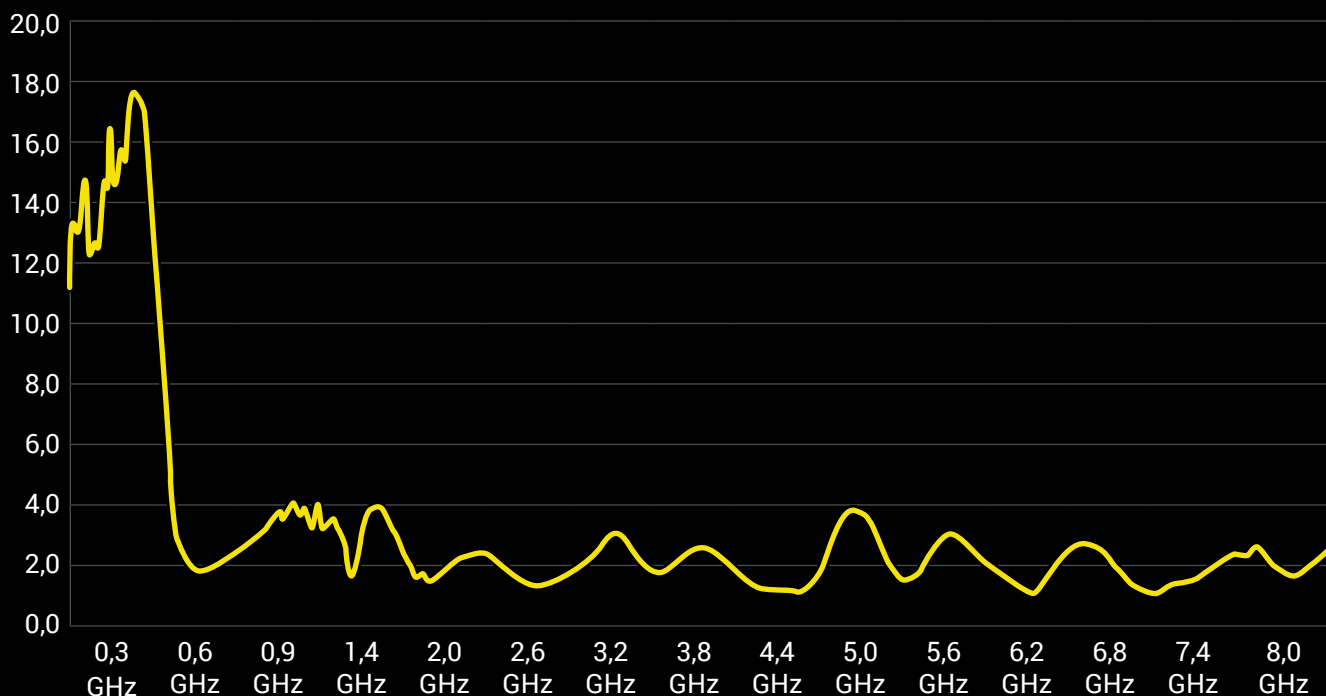


Gain Diagram OmniLOG® 30800

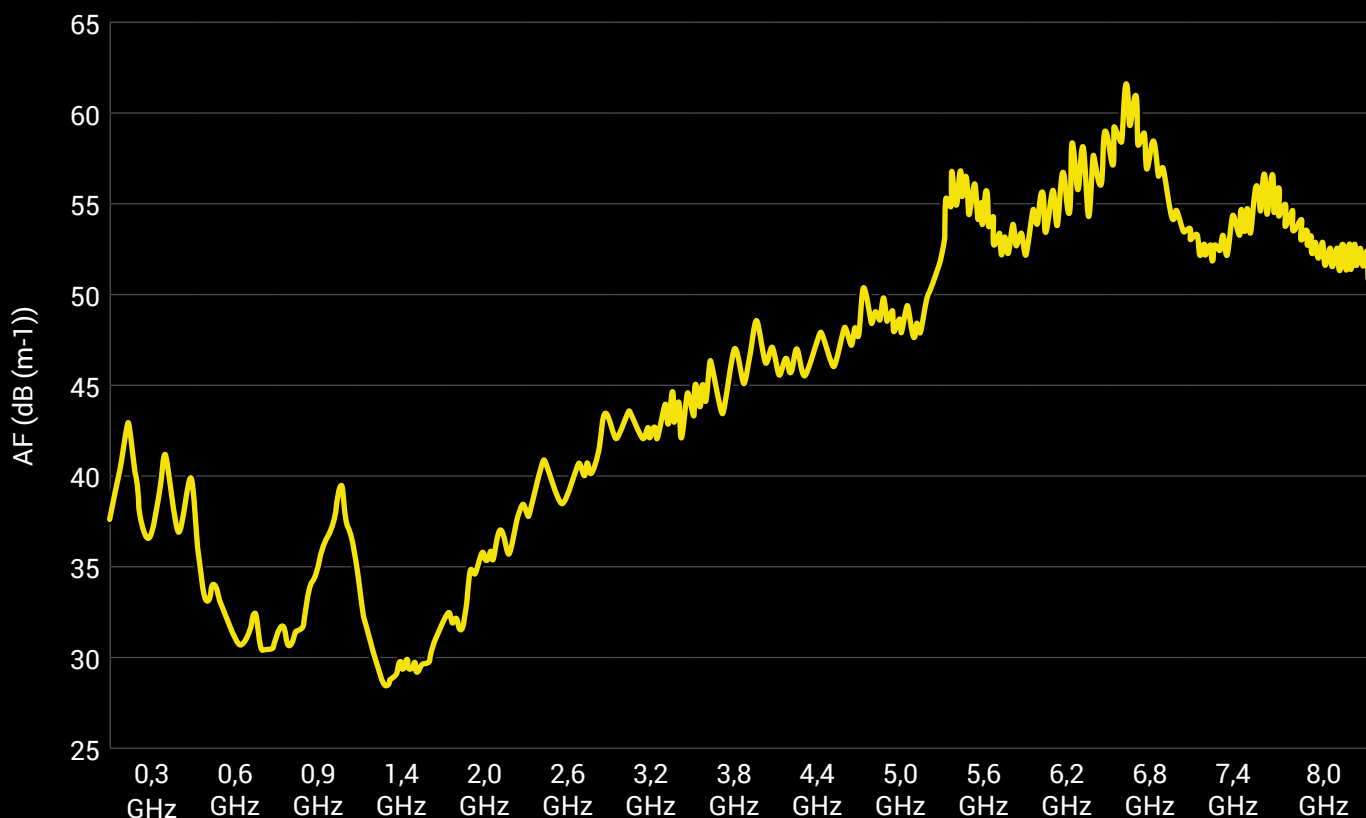


Specifications

VSWR Diagram OmniLOG® 30800



Antenna Factor Diagram OmniLOG® 30800

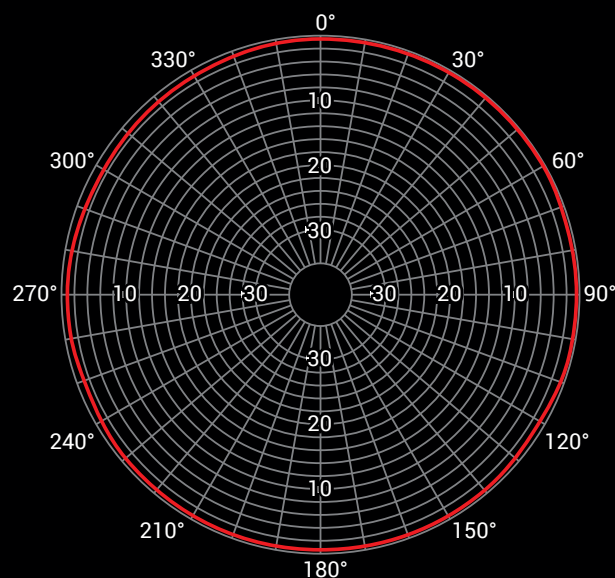


Specifications

OmniLOG® 90200

Dimensions [L x W x D]	210 x 20 mm
Weight	70 g
Design	Omnidirectional
RF Connection	SMA (male)
Frequency Range	700 MHz – 2,5 GHz
Nominal Impedance	50 Ohm
VSWR (typ.)	< 3:1
Temperature Range	- 20° C – +70° C Shock: 40 G at 10 msec
Temperature Shock	- 20° C – +70° C 10 cycles
Warranty	2 years

Horizontal Pattern OmniLOG® 90200

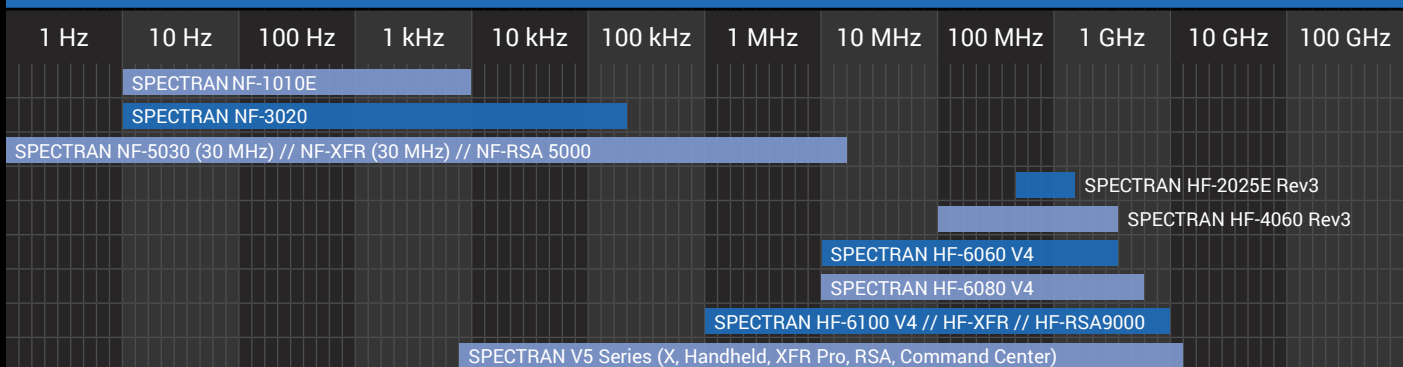


Gain Diagram OmniLOG® 90200

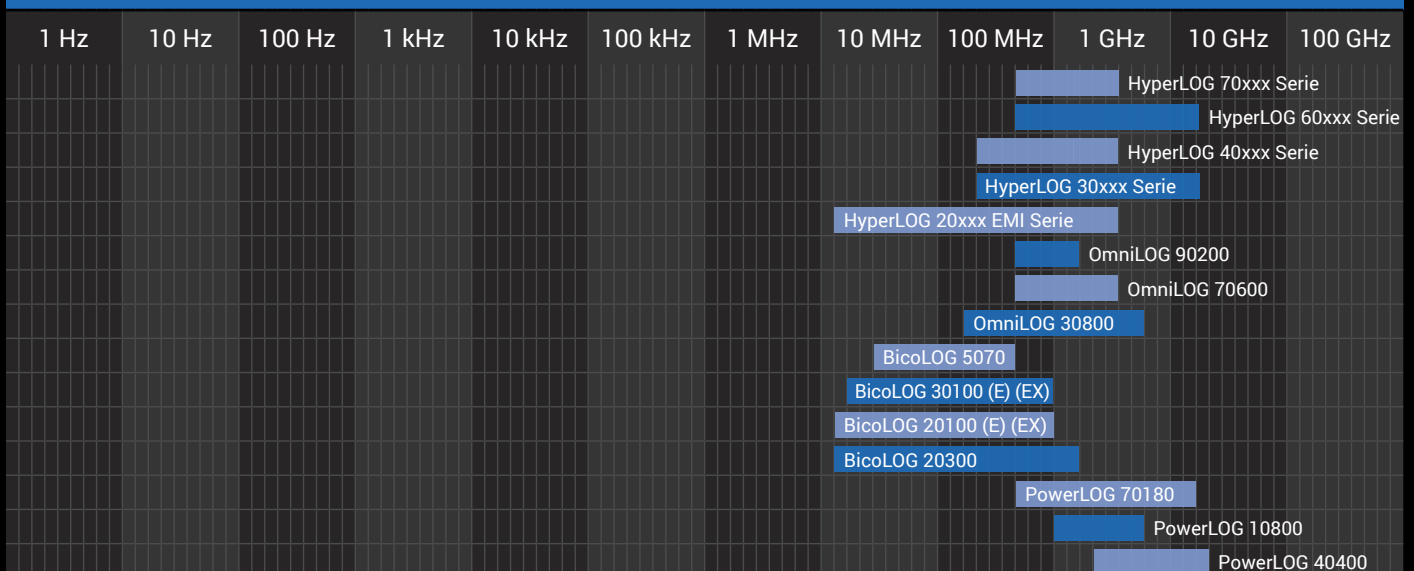


Frequency Overviews

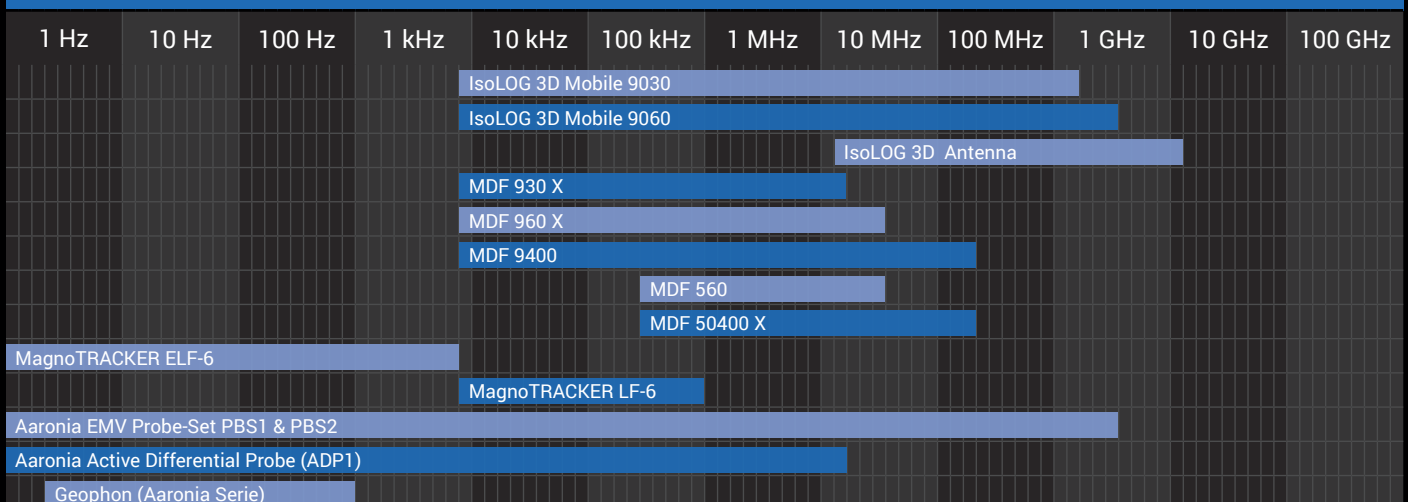
Frequency Overview SPECTRAN® Spectrum Analyzers



Frequency Overview HyperLOG®, BicoLOG® and PowerLOG® Antennas



Frequency Overview IsoLOG® 3D, MDF, MagnoTRACKER® and Probes



References



Selected Aaronia Clients

Government, Military, Aeronautic, Astronautic

- NATO, Belgium
- Department of Defense, USA
- Department of Defense, Australia
- Airbus, Germany
- Boeing, USA
- Bundeswehr, Germany
- NASA, USA
- Lockheed Martin, USA
- Lufthansa, Germany
- DLR, Germany
- Eurocontrol, Belgium
- EADS, Germany
- DEA, USA
- FBI, USA
- BKA, Germany
- Federal Police, Germany
- Ministry of Defense, Netherlands

Research/Development, Science and Universities

- MIT – Physics Department, USA
- California State University, USA
- Indonesian Institute of Sciences, Indonesia
- Los Alamos National Laboratory, USA
- University of Bahrain, Bahrain
- University of Florida, USA
- University of Victoria, Canada
- University of Newcastle, United Kingdom
- University of Durham, United Kingdom
- University Strasbourg, France
- University of Sydney, Australia
- University of Athens, Greece
- University of Munich, Germany
- Technical University of Hamburg, Germany
- Max Planck Inst. for Radio Astronomy, Germany
- Max Planck Inst. for Nuclear Physics, Germany
- Research Centre Karlsruhe, Germany

Industry

- IBM, Switzerland
- Intel, Germany
- Shell Oil Company, USA
- ATI, USA
- Microsoft, USA
- Motorola, Brazil
- Audi, Germany
- BMW, Germany
- Daimler, Germany
- Volkswagen, Germany
- BASF, Germany
- Siemens AG, Germany
- Rohde & Schwarz, Germany
- Infineon, Austria
- Philips, Germany
- Thyssenkrupp, Germany
- EnBW, Germany
- CNN, USA
- Duracell, USA
- German Telekom, Germany
- Bank of Canada, Canada
- NBC News, USA
- Sony, Germany
- Anritsu, Germany
- Hewlett Packard, Germany
- Robert Bosch, Germany
- Mercedes Benz, Austria
- Osram, Germany
- DEKRA, Germany
- AMD, Germany
- Keysight, China
- Infineon Technologies, Germany
- Philips Semiconductors, Germany
- Hyundai Europe, Germany
- VIAVI, Korea
- Wilkinson Sword, Germany
- IBM Deutschland, Germany
- Nokia Siemens Networks, Germany

