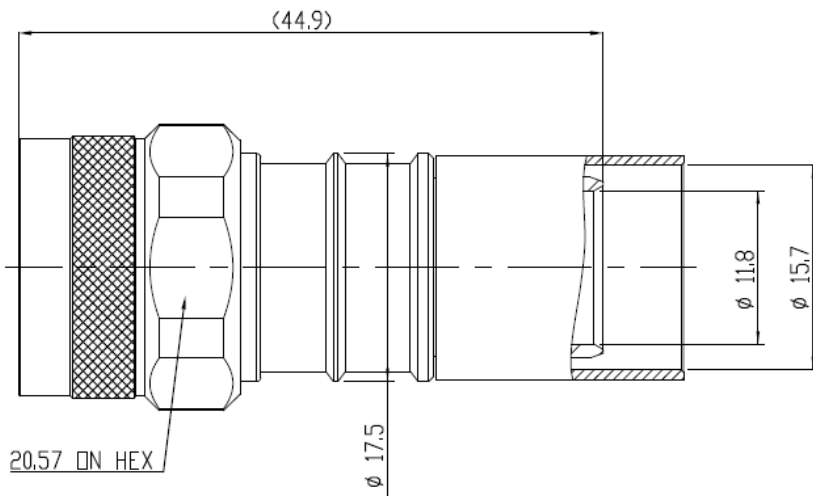


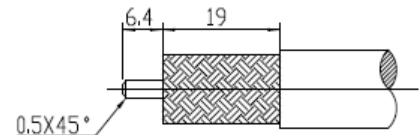
NOTICE OF PROPRIETARY RIGHTS THIS DOCUMENT CONTAINS CONFIDENTIAL TECHNICAL DATA, INCLUDING TRADE SECRETS, PROPRIETARY TO TIMES MICROWAVE SYSTEMS. DISCLOSURE OF THIS DATA IS EXPRESSLY CONDITIONED UPON YOUR ASSENT THAT ITS USE IS LIMITED TO USE WITHIN YOUR COMPANY ONLY. ANY OTHER USE IS STRICTLY PROHIBITED WITHOUT THE PRIOR WRITTEN CONSENT OF TIMES MICROWAVE SYSTEMS.

SYM	REVISION DESCRIPTION	DFTM	DATE	APPD	DATE
A	RELEASED FOR PRODUCTION	D. J. H.	8/9/11	J. D. B.	8/16/11
B	CHANGED PER CDC #36735	N. N. N.	4/8/13	J. D. B.	4/10/13
C	CHANGED PER CDC #40601	N. N. N.	8/26/14	J. D. B.	9/10/14



heat shrink boot

1" diam.X2" long, heavy wall, adhesive lined polyolefin with a 3:1 shrink ratio.



Reference standard IEC60169-16

I. Electric Performance

Nominal Impedance(Ω): 50
 Frequency Range: DC-6GHz
 VSWR: ≤ 1.25
 Insert Loss: ≤ 0.1 (DC-3GHz)
 Insulation resistance ($M\Omega$): 25000
 Proof voltage (V): 2500
 Conductor resistance ($m\Omega$): outer conductor <0.4, inner conductor <0.8

IV. Environment

Temprange: -55°C~+155°C
 Weather standard: IEC 60068 55 / 155/ 56
 Thermal shock: US MIL-STD 202,Meth.107,Cond.B
 Vibration: US MIL-STD 202,Meth.204,Cond.B
 Shock: US MIL-STD 202,Meth.213,Cond.I
 Waterproofing standard: IP67

II. Mechanical Performance

Nut torque: 5Nm
 (Nut)Whorl pull: 500N
 Tensile force(cable-connect): 500N
 Torsion(cable-connect): 3Nm

V. Assembly: inner conductor installed and outer conductor crimped

VI. RoHS Compliant.

III. Material and plating :

Component Material
 Inner conductor Beryllium Bronze
 Outer conductor Brass
 Tube: copper
 Nut: Brass
 Gasket: Silicone rubber
 Insulator: PTFE

Plating
 Au50 micro inches over nickel 100 over copper
 Copper-tin-zin 100-150 micro inches
 Copper-tin-zin 100-150 micro inches
 Copper-tin-zin 100-150 micro inches

MATERIAL:	UNLESS OTHERWISE SPECIFIED	DFTM. D. J. H.	TIMES MICROWAVE SYSTEMS				
		DATE 8/9/11					
USED ON: 1-1	ALL DIMENSIONS ARE IN mm MACHINED SURFACES FINISH N/A RMS MAX. REMOVE ALL BURRS N/A MAX. BREAK MACHINE CORNERS N/A MAX. FILLET R. TOLERANCES ON DECIMALS . XX \pm N/A . XXX \pm N/A ANGLES \pm 1° FRACTIONS \pm N/A	CHKD. J. D. B.	EZ-600-NMH-X "N" MALE FOR LMR-600 CABLE EZ/CRIMP/NO BRAID TRIM				
		DATE 8/16/11					
		APPD. J. D. B.					
SCALE: N/A	DWG. SIZE A	DO NOT SCALE DRAWING	CODE IDENT 68999	DATE 8/16/11	SHEET 1 of 1	SD3190-2627	REV. C