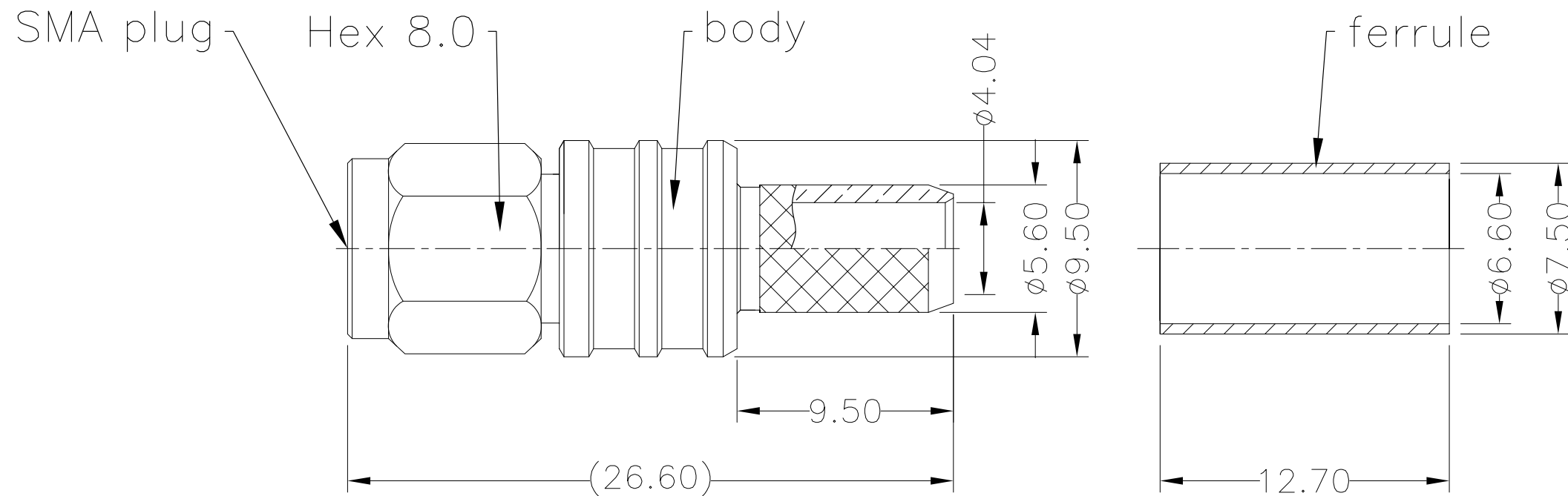


| SYM | REVISION DESCRIPTION | DFTM | DATE | APPD | APPD |
|-----|-------------------------|--------|------------|------|------------|
| A | RELEASED FOR PRODUCTION | Joslen | 2016.10.12 | TZ | 2016.10.12 |



I. MATERIALS & FINISHES

| Components | Materials | Finishes | Thk. (μ") |
|--------------|-----------|----------|-----------|
| Body/Shell | Brass | Albaloy | 80 |
| Center Cont. | QBe2 | Gold | 50 |
| Ferrule | Brass | Albaloy | 80 |
| Insulator | PTFE | -- | -- |
| Gasket | Silicone | -- | -- |

II. ELECTRICAL PROPERTIES

| | |
|-----------------------------|-------------|
| Impedance (Ω): | 50 |
| Frequency Range (GHz): | DC to 6 GHz |
| Working Voltage (V): | 1000 |
| Insulation Resistance (MΩ): | ≥10000 |
| VSWR: | ≤1.30 |
| Insertion Loss(dB, f/GHz): | -0.1x √f |

III. ENVIRONMENT PROPERTIES

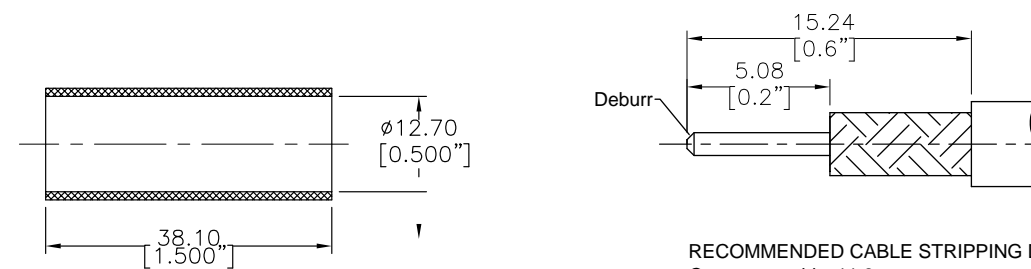
| | |
|--------------------|--------------------------------|
| Temperature Range: | -40°C--125°C |
| Thermal Shock: | MIL-STD 202G, Meth.107, Cond.B |
| Vibration: | MIL-STD 202G, Meth.204, Cond.B |
| Shock: | MIL-STD 202G, Meth.213, Cond I |
| Climatic Class: | IEC 60068 55/155/56 |
| (2002/95/EC)RoHS: | Compliant |

IV. MECHANICAL PROPERTIES

| | |
|------------------------------------|----------------|
| Center Cont.: | Finger Contact |
| Outer Cont.: | Crimp |
| Coupling Nut Torque (N.m): | 1.1 |
| Cbl-Connector Retention Force (N): | 500 |
| Durability (cycles): | 500 |

V. TOOLING

Stripping Tool: 3192-152
Crimping Tool: 3190-667/CT-240/200/100



RECOMMENDED CABLE STRIPPING DIM'S
Connector adds: 11.8 mm

Shrink Tube (1/2"x1.5" 3:1)

According to Standard: IEC 61169-15

| MATL: | UNLESS OTHERWISE SPECIFIED | DFTM. Joslen | An Amphenol Company |
|------------|---|----------------------|---|
| | ALL DIMENSIONS ARE IN mm MACHINED SURFACES FINISH 1.6 RMS MAX. REMOVE ALL BURRS 0.15X45° MAX. BREAK MACHINE CORNERS 0.15X45° D MAX. FILLET R. TOLERANCES ON DECIMALS .X ±0.3 .XX ±0.15 ANGLES ±2° FRACTIONS ± N/A | DATE 2016.10.12 | |
| | | CHKD KG | |
| | | DATE 2016.10.12 | |
| | | APPD TZ | |
| USED ON: O | | DATE 2016.10.12 | EZ-240-SM-X SMA Male (Plug) Straight Non-Solder Pin No Braid Trim Connector for LMR-240 Cable |
| SCALE: N/A | DWG SIZE A4 | DO NOT SCALE DRAWING | CODE IDENT 68999 DATE 2016.10.12 S H T 1 OF 1 3190-6319 R E V A |