

### 105°C ,High Reliability and Long Life Capacitors, Series KLG

Long life:8000–12000 hours at 105°C; 2000~3000 hours at 130°C

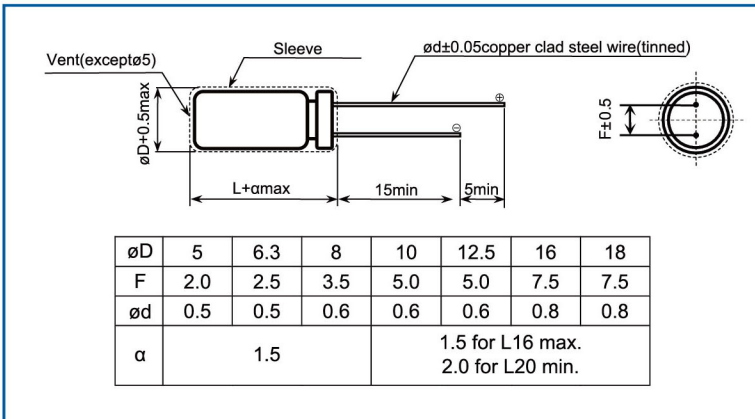
Suitable For LED Lighting, Electronic Energy\_saving Lamp, Electronic Ballast.

RoHS Compliance.

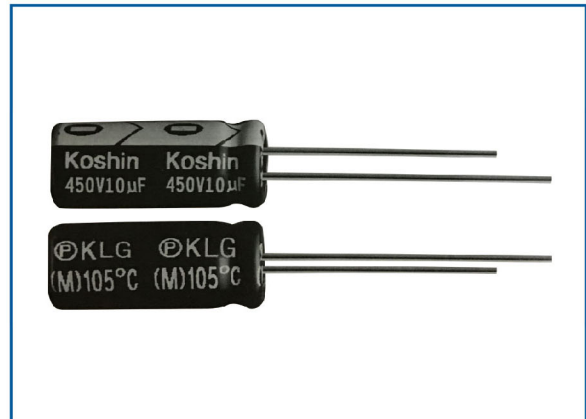
RoHS

#### Outline Drawing

Unit: mm



#### Photo



Marking color: White print on black sleeve

### Specifications

No.	Item	Performance							
1	Temperature range(°C)	-40 to +105							
2	Leakage current ( $\mu$ A)	Less than 0.03CV or 3 whichever is larger (after two minutes) C: Rated Capacitance ( $\mu$ F). V: Rated voltage (V) 20°C							
3	Capacitance tolerance (%)	$\pm 20$ (20°C, 120Hz)							
4	Tangent of the loss angle (Tan $\delta$ )	Rated voltage (V)	160	200	250	350	400	450	20°C, 120Hz
		Tan $\delta$ (max)	0.15	0.15	0.15	0.15	0.15	0.15	
		0.02 is added to every 1000 $\mu$ F increase over 1000 $\mu$ F							
5	Low temperature characteristics	Rated voltage (V)	160	200	250	350	400	450	120Hz
		Impedance ratio(max) $Z_{(25^\circ\text{C})}/Z_{(+20^\circ\text{C})}$	3	3	3	5	5	6	
6	Endurance (105°C) (Applied ripple current)	Test time	At 105°C: D < $\Phi$ 10:8000 hours, D= $\Phi$ 10:10000 hours, D > $\Phi$ 10:12000hours; At 130°C: D $\leq$ $\Phi$ 10:2000 hours, D> $\Phi$ 10:3000 hours						
		Leakage current	The initial specified value or less						
		Percentage of capacitance change	Within $\pm 20\%$ of initial value						
		Tangent of the loss angle	500% or less of the initial specified value						
7	Shelf life (105°C)	Test time	1000hours						
		Leakage current	The initial specified value or less						
		Percentage of capacitance change	Within $\pm 20\%$ of initial value						
		Tangent of the loss angle	500% or less of the initial specified value						
8	Applicable standards	JIS-C-5101-4(IEC60384)							

#### Coefficient of Frequency for Ripple Current

Frequency (Hz)	120	1K	10K	100K~
Coefficient	0.50	0.80	0.85	1.00

#### Coefficient of Temperature for Ripple Current

Temperature(°C)	60 or less	85	105
Coefficient	2.00	1.40	1.00



### DIMENSION & PERMISSIBLE RIPPLE CURRENT

Dimension:  $\Phi$ DXL(mm)  
Ripple Current: mA/rms at 100KHz, 105°C

V.DC $\mu$ F Contents	160V		200V		250V	
	$\Phi$ DXL	mA	$\Phi$ DXL	mA	$\Phi$ DXL	mA
2.2	8X12	80	8X12	80	8X12	90
3.3	8X12	90	8X12	102	10X12.5	110
4.7	8X12	98	8X16	110	10X16	120
5.6	8X16	104	8X16	118	10X16	135
6.8	8X16	115	10X12.5	128	10X16	150
8.2	10X16	160	10X16	220	10X16	170
10	10X16	190	10X16	200	10X20	210
15	10X16	230	10X20	250	12.5X20	290
22	10X20	310	12.5X20	348	12.5X20	350
33	12.5X20	430	12.5X20	425	12.5X25	470
47	12.5X25	560	12.5X25	580	16X25	640
68	16X25	770	16X25	780	16X31.5	830
100	16X25	900	16X25	1000	18X31.5	1020
150	18X31.5	1330	18X35	1420	22X35.5	1420
220	18X35	1410	22X35.5	1710		

V.DC $\mu$ F Contents	350V		400V		450V	
	$\Phi$ DXL	mA	$\Phi$ DXL	mA	$\Phi$ DXL	mA
1	8X12	64	8X12	65	10X12.5	70
1.5	10X12.5	70	10X12.5	72	10X16	74
2.2	10X16	88	10X16	90	10X16	92
3.3	10X16	110	10X16	115	10X16	120
4.7	10X20	145	10X20	150	10X20	155
5.6	12.5X20	165	12.5X20	170	12.5X20	180
6.8	12.5X20	200	12.5X20	210	12.5X20	220
8.2	12.5X20	212	12.5X20	220	12.5X20	230
10	12.5X20	230	12.5X20	240	12.5X20	250
15	12.5X25	316	12.5X25	320	12.5X25	330
22	16X25	450	16X25	460	16X31.5	490
33	16X31.5	600	16X31.5	620	16X35.5	630
47	16X35.5	750	18X31.5	760	18X31.5	770
68	18X31.5	910	18X31.5	920	18X35	960
82	18X31.5	1000	18X35.5	1060	18X40	1120
100	18X35.5	1170	18X40	1230		

