

# SKIN ZEETO

TOUCH FOR HARSH ENVIRONMENTS



**IDEAL FOR INDUSTRIAL, VENDING & OUTDOOR**

## SIZES

From 7" up to 75"

## BENEFITS

- High-performance touch experience
- Reliable for outdoor environments
- Easy and versatile integration
- Compatibility with wire

## KEY FEATURES:

- Custom designed sensor
- Works with glass thickness up to 20 mm
- Flexible projected capacitive sensor
- Glove-compatible touch

## TYPICAL INSTALATIONS:

- Industrial
- Kiosks and Ticketing Machines
- Outdoor Touch Applications
- Vending and ATM
- Transportation and Interactive Signage

## SPECIFICATIONS

**20**

Up to 20mm  
Glass Thickness



Resistant to Rain,  
Dust, Ice and UV



Up to 75"

**9ms**

Fast Response

**10**

10 Finger Touches



ES France - Mobilité & Systèmes Embarqués  
127 rue de Buzenval BP 26 - 92380 Garches



Tél. 01 47 95 99 80



e-mail : [mse@es-france.com](mailto:mse@es-france.com)  
Site Web : [www.es-france.com](http://www.es-france.com)

# TECHNICAL SPECIFICATIONS

## DISPLAX SKIN ZEETO

### GENERAL

Detection Method	Projected Capacitive Technology Multitouch
Input Method	Finger and Gloved Finger
Number of Simultaneous Touches	10
Number of Channels	
ZEETO <sup>64</sup>	32 Tx, 32 Rx
ZEETO <sup>112</sup>	40 Tx, 72 Rx
Film Sensor Thickness	100 Micron transparent polymer film
Noise Shielding	DISPLAX XTR-Shield™ Plus, a proprietary noise filtering technology
Sizes	
ZEETO <sup>64</sup>	7" to 24"
ZEETO <sup>112</sup>	24.1" to 75"
Aspect Ratio	Custom designed sensor
Controller	Printed circuit board with mini USB connector
Adhesive	Permanent or Removable
Substrate	Glass and other non-conductive materials
Interface	USB HID (default); SPI, I2C, SERIAL TTL/RS232 (on request); Industrial Connector (on request)
Data Connectivity	USB 2.0 full speed with Mini-USB Connector (default)
Touch Accuracy	<1mm in 15" with 4mm glass
Controller Weight	
ZEETO <sup>64</sup>	10 g
ZEETO <sup>112</sup>	12 g
Controller Dimensions	
ZEETO <sup>64</sup>	59 mm x 60.2 mm x 6.9 mm
ZEETO <sup>112</sup>	85 mm x 55 mm x 6,9 mm
USB Cable Length	Up to 1.8m (not included)
Trackpad Emulator	Available (upon request)
OS with Multitouch	Windows 7 and later, Ubuntu, Android and other Multitouch Enabled OS
OS with Single Touch	Mac OS (Multitouch Support Through TUIO Bridge for Applications)
OS with Mouse Emulation	Detected automatically on supported OS

### PERFORMANCE

Substrate Thickness	Up to 20 mm
Touch Response	9 milliseconds
Calibration	DISPLAX Connect™

### POWER CONSUMPTION

Average Power Consumption (P)	
ZEETO <sup>64</sup>	USB powered @ 5 V DC Operation consumption: 120 mA
ZEETO <sup>112</sup>	USB powered @ 5 V DC Operation consumption: 140 mA



# TECHNICAL SPECIFICATIONS

## DISPLAX SKIN ZEETO

### RELIABILITY

Operating Temperature Range	-20°C to 70°C
Storage Temperature Range	-30°C to 80°C
Operating Humidity Range	0% to 95%, at 60°C, non-condensing
Storage Humidity Range	0% to 100%, non-condensing
Touch Sensor Life Time Expectancy	Unlimited
Touch Controller Life Time Expectancy	1 million hours
Warranty	2 years

### DISPLAX CONNECT™

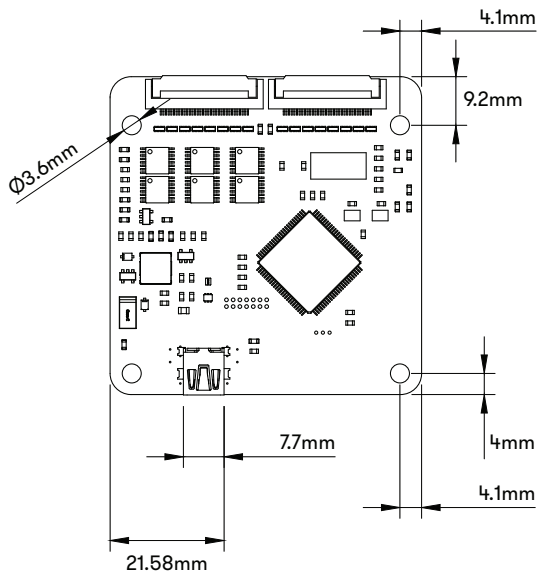
Windows	10, 11
Ubuntu	22.04 LTS, 24.04 LTS
MacOS	Tahoe, Sonoma



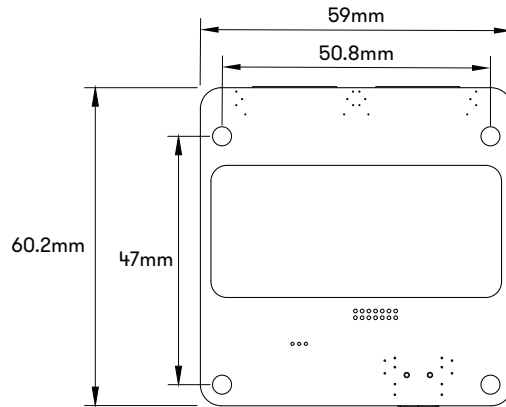
# TECHNICAL DRAWINGS

DISPLAX SKIN ZEETO<sup>6+</sup>

Front View



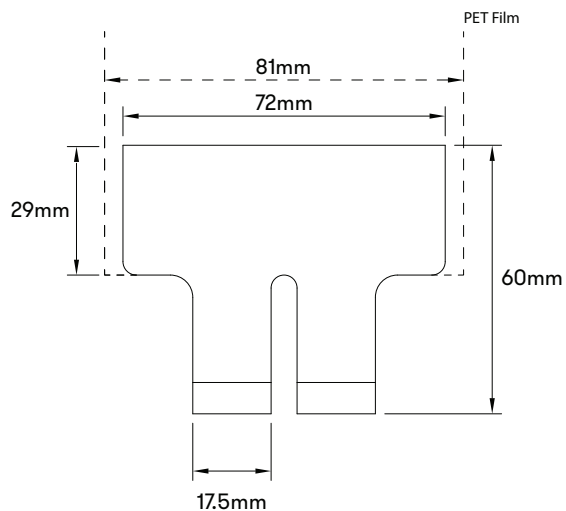
Back View



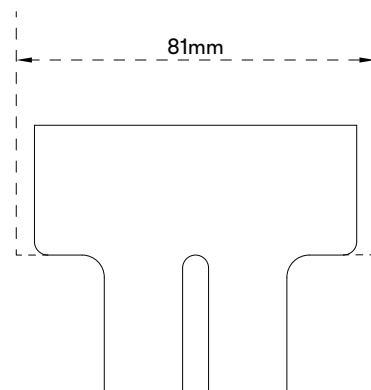
# TECHNICAL DRAWINGS

DISPLAX SKIN ZEETO<sup>6+</sup>

Front View



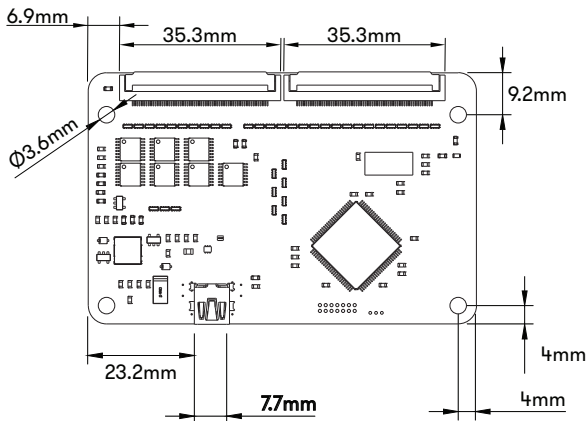
Back View



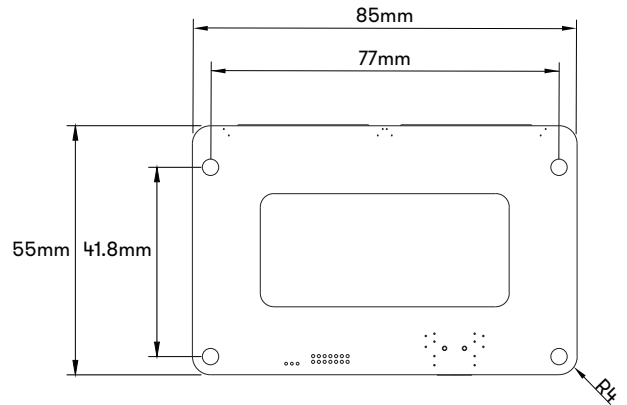
# TECHNICAL DRAWINGS

DISPLAX SKIN ZEETO<sup>112</sup>

Front View



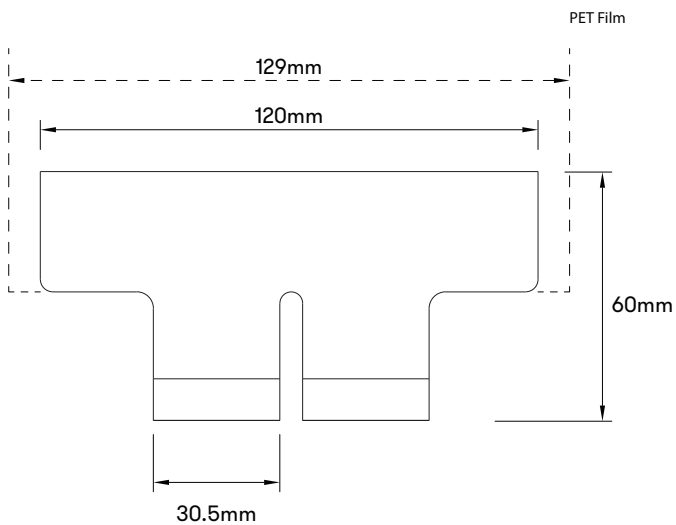
Back View



# TECHNICAL DRAWINGS

DISPLAX SKIN ZEETO<sup>112</sup>

Front View



Back View

