

Precision N Female to 7mm Adapter



PE910041

Configuration

- N Female Connector 1
- 7mm Sexless Connector 2
- 50 Ohms Impedance
- Precision Design
- Straight Body Geometry

Features

- Max VSWR of 1.15:1 up to 18 GHz
- Gold over Nickel over copper Plated Beryllium Copper Contact
- Max VSWR of 1.15:1 up to 18 GHz
- N Interface compliant with MIL-C-39012
- 7mm Interface compliant with IEEE STD 287
- Gold Plated Beryllium Copper Contact

Applications

- Allows Connection Between Series
- General Purpose Test
- Precision Test & Measurement
- Allows Connection Between Series
- General Purpose Test
- Precision Test & Measurement

Description

Pasternack's PE910041 type N female to 7mm adapter is part of our full line of RF components available for same-day shipping. Our type N to 7mm adapter has a female to sexless gender configuration built of durable stainless steel in a precision design. PE910041 type N female to 7mm adapter operates to 18 GHz. The Pasternack RF adapter provides excellent VSWR of 1.15:1 maximum.

RF adapters are often used to enable connections between two connector types that would otherwise not mate. Certain adapter configurations can also be used to protect connectors on expensive equipment where the number of connect/disconnect cycles is high. An RF, microwave or millimeter wave adapter is connected to the equipment, and the commonly changed connection is made with the adapter which can be easily replaced when it wears out after high usage; such adapters are referred to as connector savers. Pasternack also offers bulkhead, panel mount, hermetically sealed, reverse polarity, and isolated ground adapter varieties to serve all of your RF, microwave and millimeter wave needs.

Electrical Specifications

Description	Minimum	Typical	Maximum	Units
Frequency Range	DC		18	GHz
Impedance		50		Ohms
VSWR			1.15:1	

Mechanical Specifications

Size

Length	1.31 in [33.27 mm]
Width	0.87 in [22.10 mm]
Height	0.87 in [22.10 mm]
Weight	0.14 lbs [63.50 g]

Description	Connector 1	Connector 2
Polarity	Standard	Standard



Precision N Female to 7mm Adapter



PE910041

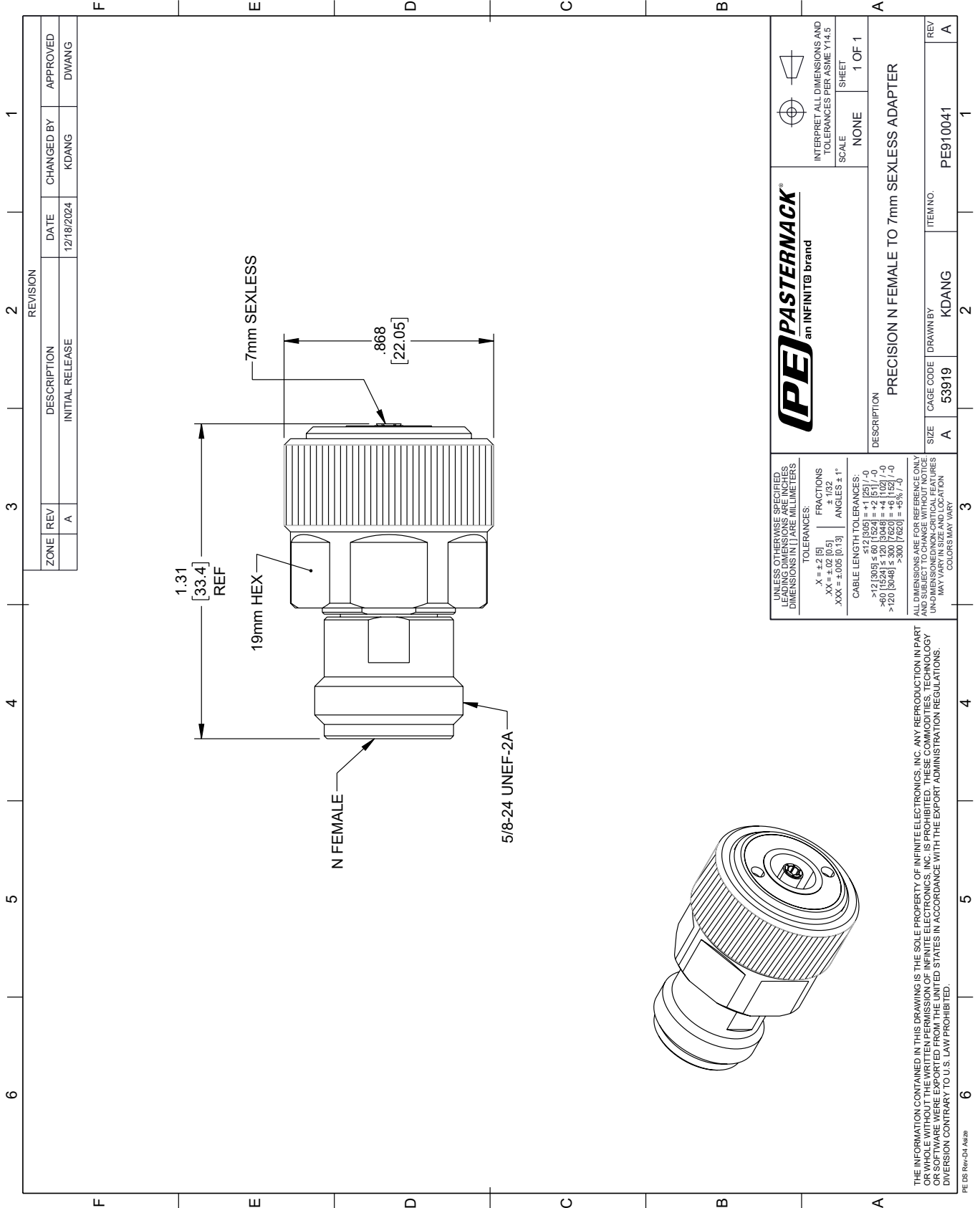
Material Specifications

Description	Connector 1		Connector 2	
	Material	Plating	Material	Plating
Type	N Female		7mm Sexless	
Contact	Beryllium Copper	Gold over Nickel over copper	Beryllium Copper	Gold over Nickel over copper
Outer Conductor	Passivated Stainless Steel		Passivated Stainless Steel	
Body	Passivated Stainless Steel		Passivated Stainless Steel	



PE910041 CAD Drawing

Precision N Female to 7mm Adapter



REVISION		DATE	CHANGED BY	APPROVED	
ZONE	REV	DESCRIPTION	DATE	CHANGED BY	APPROVED
	A	INITIAL RELEASE	12/18/2024	KDANG	DWANG

 PE PASTERNAK an INFINITI® brand		INTERPRET ALL DIMENSIONS AND TOLERANCES PER ASME Y14.5 SCALE: NONE SHEET: 1 OF 1
DESCRIPTION: PRECISION N FEMALE TO 7mm SEXLESS ADAPTER		
SIZE: A	CAGE CODE: 53919	ITEM NO.: PE910041
REV: A	DRAWN BY: KDANG	REV: A

UNLESS OTHERWISE SPECIFIED, LEADING DIMENSIONS ARE IN INCHES. DIMENSIONS IN [] ARE MILLIMETERS.

TOLERANCES:
 .X = ±.2 [5]
 .XX = ±.02 [0.5]
 .XXX = ±.005 [0.13]

FRACTIONS: ± 1/32
 ANGLES: ± 1°

CABLE LENGTH TOLERANCES:
 ≤ 12 [305] ±.60 [15.24] = +.2 [5] / -0
 > 12 [305] ≤ 60 [1524] = +.4 [10.2] / -0
 > 60 [1524] ≤ 120 [3048] = +.4 [10.2] / -0
 > 120 [3048] ≤ 300 [7620] = +.6 [15.2] / -0

ALL DIMENSIONS ARE FOR REFERENCE ONLY. UNDIMENSIONED/NON-CRITICAL FEATURES MAY VARY IN SIZE AND LOCATION. COLORS MAY VARY.

THE INFORMATION CONTAINED IN THIS DRAWING IS THE SOLE PROPERTY OF INFINITE ELECTRONICS, INC. ANY REPRODUCTION IN PART OR WHOLE WITHOUT THE WRITTEN PERMISSION OF INFINITE ELECTRONICS, INC. IS PROHIBITED. THESE COMMODITIES, TECHNOLOGY OR SERVICES ARE EXPORTED FROM THE UNITED STATES IN ACCORDANCE WITH THE EXPORT ADMINISTRATION REGULATIONS. DIVISION CONTRARY TO U.S. LAW PROHIBITED.

PE DS Rev-04 Add2