



SMA Female to 7mm Adapter

RF Adapters Technical Data Sheet

PE9214

Configuration

- SMA Female Connector 1
- 7mm Sexless Connector 2
- 50 Ohm
- Precision Design
- Straight Body Geometry

Features

- Max VSWR of 1.15:1 up to 18 GHz
- Contact plating according to MIL-G-45204
- Gold over Nickel Plated Beryllium Copper Contact

Applications

- Allows Connection Between Series
- General Purpose Test
- Precision Test & Measurement

Description

Pasternack's PE9214 SMA female to 7mm adapter is part of our full line of RF components available for same-day shipping. The SMA connector mates mechanically with commercially available 3.5mm and 2.92mm (K) connectors. Our SMA to 7mm adapter has a female to sexless gender configuration in a precision design. PE9214 SMA female to 7mm adapter operates to 18 GHz. The Pasternack RF adapter provides excellent VSWR of 1.15:1 maximum.

RF adapters are often used to enable connections between two connector types that would otherwise not mate. Certain adapter configurations can also be used to protect connectors on expensive equipment where the number of connect/disconnect cycles is high. An RF, microwave or millimeter wave adapter is connected to the equipment, and the commonly changed connection is made with the adapter which can be easily replaced when it wears out after high usage; such adapters are referred to as connector savers. Pasternack also offers bulkhead, panel mount, hermetically sealed, reverse polarity, and isolated ground adapter varieties to serve all of your RF, microwave and millimeter wave needs.

Electrical Specifications

Description	Minimum	Typical	Maximum	Units
Frequency Range	DC		18	GHz
VSWR			1.15:1	
Insertion Loss			0.22	dB

Electrical Specification Notes:

Values at 25°C, sea level.

Insertion Loss (dB) = $0.05 \cdot \sqrt{f(\text{GHz})}$.

Mechanical Specifications

Size

Length	1.195 in [30.35 mm]
Width	0.87 in [22.1 mm]
Weight	0.0969 lbs [43.95 g]



SMA Female to 7mm Adapter

RF Adapters Technical Data Sheet

PE9214

Description	Connector 1	Connector 2
Type	SMA Female	7mm Sexless
Polarity	Standard	Standard
Mating Cycles	500	500

Material Specifications

Description	Connector 1		Connector 2	
	Material	Plating	Material	Plating
Type	SMA Female		7mm Sexless	
Contact	Beryllium Copper	Gold over Nickel MIL-G-45204	Beryllium Copper	Gold over Nickel MIL-G-45204
Insulation	PTFE		PTFE	
Outer Conductor	Passivated Stainless Steel	AMS-2700		
Body			Passivated Stainless Steel	AMS-2700
Coupling Nut			Passivated Stainless Steel	AMS-2700

Environmental Specifications

Temperature

Operating Range -55 to +100 °C

Vibration

MIL-STD-202, Method 204, Cond. D (20G's)

Salt Spray

MIL-STD-202, Method 101, Cond. B, 5% salt solution

Notes:

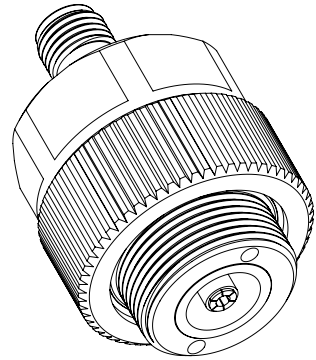
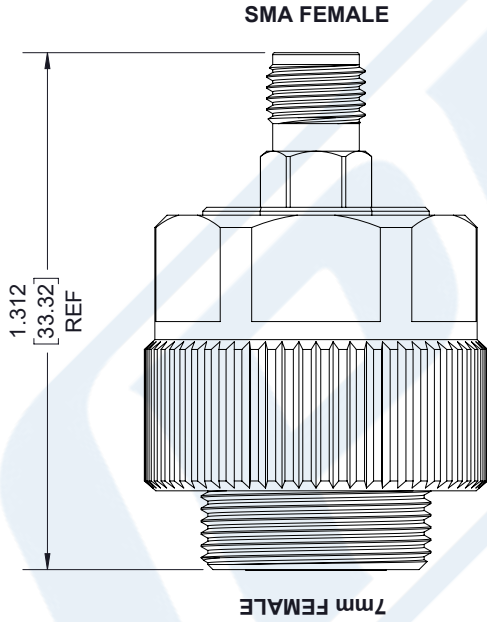


PE9214 CAD Drawing

SMA Female to 7mm Adapter

REVISIONS

REV.	DESCRIPTION	DATE	APPROVED
A	PCR SM3360	4/27/2020	S. ELLIS



UNLESS OTHERWISE SPECIFIED
LEADING DIMENSIONS ARE INCHES
DIMENSIONS IN [] ARE MILLIMETERS

TOLERANCES:

.X = ±.2	[5.08]	FRACTIONS	± 1/32
.XX = ±.02	[.51]		± 1/32
.XXX = ±.005	[.13]	ANGLES ± 1°	

CABLE LENGTH (L) TOLERANCES:

L ≤ 12 [305]	= +1 [25] / -0
12 [305] < L ≤ 60 [1524]	= +2 [51] / -0
60 [1524] < L ≤ 120 [3048]	= +4 [102] / -0
120 [3048] < L ≤ 300 [7620]	= +6 [152] / -0
300 [7620] < L ≤ ∞	= +5% / L / -0

ALL DIMENSIONS SHOWN
ARE FOR REFERENCE ONLY.



THIRD-ANGLE PROJECTION

THE INFORMATION AND
DESIGN IN THIS DOCUMENT
IS THE PROPERTY OF
PASTERNAK CORPORATION
ALL RIGHTS RESERVED.

SHEET 1 OF 1

SCALE N/A

SIZE A CAGE CODE A 53919 DRAWN BY K.DANG ITEM NO. PE9214 REV A

THESE COMMODITIES, TECHNOLOGY OR SOFTWARE WERE EXPORTED FROM THE UNITED STATES IN ACCORDANCE WITH THE EXPORT ADMINISTRATION REGULATIONS. DIVERSION CONTRARY TO U.S. LAW PROHIBITED.



ES France - Département RF & Hyperfréquences
127 rue de Buzenval BP 26 - 92380 Garches



Tél. 01 47 95 99 60



e-mail : hyper@es-france.com
Site Web : www.es-france.com