



Precision TNC Male to 7mm Sexless Adapter

TECHNICAL DATA SHEET

PE9219

Precision TNC Male to 7mm Sexless Adapter

Configuration

Connector 1	TNC Male
Impedance 1	50 Ohms
Connector 2	7mm Sexless
Impedance 2	50 Ohms
Adapter Design	Precision
Body Style	Straight

Electrical Specifications

Frequency Range, GHz	DC to 18
Maximum VSWR	1.15:1

Mechanical Specifications

Size

Length, in [mm]	1.54 [39.12]
Width/Dia., in [mm]	0.87 [22.1]

Connector 1

Type	TNC Male
Inner Conductor Material and Plating	Gold
Coupling Nut Material and Plating	Passivated Stainless Steel
Body Material and Plating	Passivated Stainless Steel
Dielectric Type	Teflon

Connector 2

Type	7mm Sexless
Inner Conductor Material and Plating	Gold
Coupling Nut Material and Plating	Passivated Stainless Steel
Body Material and Plating	Passivated Stainless Steel
Dielectric Type	PTFE

Compliance Certifications (visit www.Pasternack.com for current document)

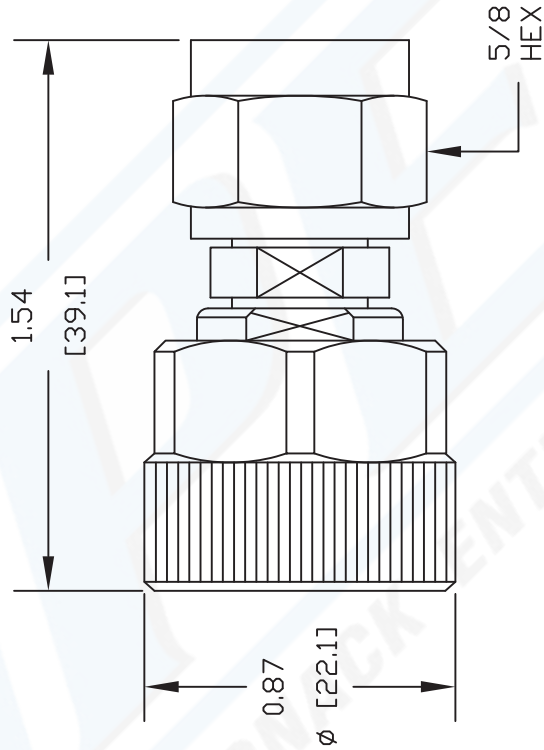
RoHS Compliant	Yes
----------------	-----

The information contained in this document is accurate to the best of our knowledge and representative of the part described herein. It may be necessary to make modifications to the part and/or the documentation of the part, in order to implement improvements. Pasternack reserves the right to make such changes as required. Unless otherwise stated, all specifications are nominal.



PE9219 CAD Drawing

Precision TNC Male to 7mm Sexless Adapter



NOTES:
 1. UNLESS OTHERWISE SPECIFIED ALL DIMENSIONS ARE NOMINAL.
 2. ALL SPECIFICATIONS ARE SUBJECT TO CHANGE WITHOUT NOTICE AT ANY TIME.
 3. DIMENSIONS ARE IN INCHES [mm].

DWG TITLE

PE9219

REV. -

FSCM NO. 53919

CAD FILE 101602

SCALE N/A

SIZE A

127

