



2.92mm Male to 7mm Sexless Adapter

RF Adapters Technical Data Sheet

PE9460

Configuration

- 2.92mm Male Connector 1
- 7mm Sexless Connector 2
- 50 Ohms
- Straight Body Geometry

Features

- Max VSWR of 1.1:1 up to 18 GHz
- Gold Plated Beryllium Copper Contact

Applications

- Allows Connection Between Series
- General Purpose Test

Description

Pasternack's PE9460 2.92mm male to 7mm sexless adapter is part of our full line of RF components available for same-day shipping. The 2.92mm connector mates mechanically with commercially available SMA and 3.5mm connectors. Our 2.92mm to 7mm adapter has a male to sexless gender configuration built of durable stainless steel. PE9460 2.92mm male to 7mm sexless adapter operates to 18 GHz. The Pasternack RF adapter provides excellent VSWR of 1.1:1 maximum.

RF adapters are often used to enable connections between two connector types that would otherwise not mate. Certain adapter configurations can also be used to protect connectors on expensive equipment where the number of connect/disconnect cycles is high. An RF, microwave or millimeter wave adapter is connected to the equipment, and the commonly changed connection is made with the adapter which can be easily replaced when it wears out after high usage; such adapters are referred to as connector savers. Pasternack also offers bulkhead, panel mount, hermetically sealed, reverse polarity, and isolated ground adapter varieties to serve all of your RF, microwave and millimeter wave needs.

Electrical Specification

Description	Minimum	Typical	Maximum	Units
Frequency Range	DC		18	GHz
VSWR			1.1:1	

Mechanical Specification

Size	
Length	1.4 in [35.56 mm]
Width	0.87 in [22.1 mm]
Weight	0.102 lbs [46.27 g]

Description	Connector 1	Connector 2
Type	2.92mm Male	7mm Sexless
Polarity	Standard	Standard





2.92mm Male to 7mm Sexless Adapter

RF Adapters Technical Data Sheet

PE9460

Material Specification

Description	Connector 1		Connector 2	
	Material	Plating	Material	Plating
Type	2.92mm Male		7mm Sexless	
Contact	Beryllium Copper	Gold	Beryllium Copper	Gold
Body	Passivated Stainless Steel		Passivated Stainless Steel	
Coupling Nut	Passivated Stainless Steel		Passivated Stainless Steel	

Environmental Specification

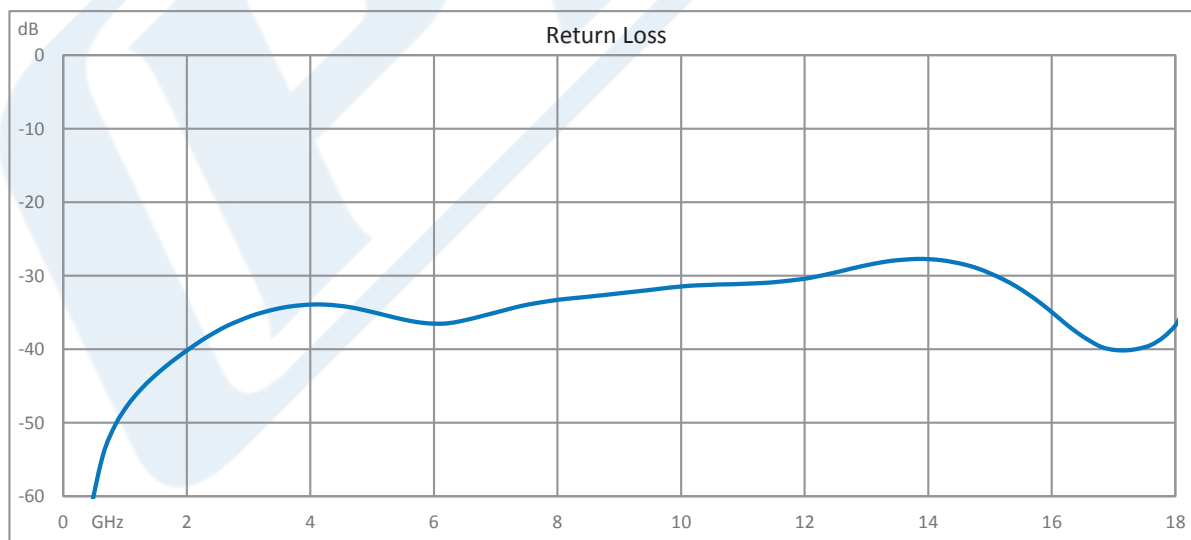
Temperature

Operating Range

-65 to +125 deg C

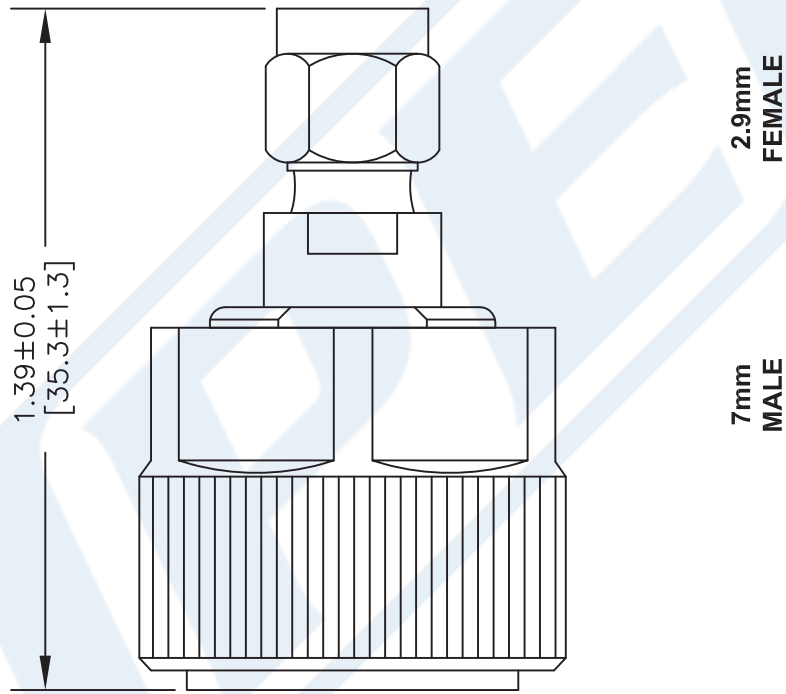
Notes:

Typical Performance Data



PE9460 CAD Drawing

2.92mm Male to 7mm Sexless Adapter



NOTES:
1. UNLESS OTHERWISE SPECIFIED ALL DIMENSIONS ARE NOMINAL.
2. ALL SPECIFICATIONS ARE SUBJECT TO CHANGE WITHOUT NOTICE AT ANY TIME.
3. DIMENSIONS ARE IN INCHES [mm].

DWG TITLE

PE9460

FSCM NO. 53919

CAD FILE 011916

SCALE N/A

SIZE A

150

