



Precision 2.92mm Female to 7mm Sexless Adapter

RF Adapters Technical Data Sheet

PE9461

Configuration

- 2.92mm Female Connector 1
- 7mm Sexless Connector 2
- 50 Ohms
- Precision Design
- Straight Body Geometry

Features

- Max VSWR of 1.1:1 up to 18 GHz
- 7mm Interface compliant with IEEE STD 287
- Gold Plated Beryllium Copper Contact

Applications

- Allows Connection Between Series
- General Purpose Test
- Precision Test & Measurement

Description

Pasternack's PE9461 precision 2.92mm female to 7mm sexless adapter is part of our full line of RF components available for same-day shipping. The 2.92mm connector mates mechanically with commercially available SMA and 3.5mm connectors. Our 2.92mm to 7mm adapter has a female to sexless gender configuration in a precision design. PE9461 2.92mm female to 7mm sexless adapter operates to 18 GHz. The Pasternack RF adapter provides excellent VSWR of 1.1:1 maximum.

RF adapters are often used to enable connections between two connector types that would otherwise not mate. Certain adapter configurations can also be used to protect connectors on expensive equipment where the number of connect/disconnect cycles is high. An RF, microwave or millimeter wave adapter is connected to the equipment, and the commonly changed connection is made with the adapter which can be easily replaced when it wears out after high usage; such adapters are referred to as connector savers. Pasternack also offers bulkhead, panel mount, hermetically sealed, reverse polarity, and isolated ground adapter varieties to serve all of your RF, microwave and millimeter wave needs.

Electrical Specifications

Description	Minimum	Typical	Maximum	Units
Frequency Range	DC		18	GHz
VSWR			1.1:1	

Mechanical Specifications

Size

Length	1.36 in [34.54 mm]
Width	0.87 in [22.1 mm]
Weight	0.102 lbs [46.27 g]





Precision 2.92mm Female to 7mm Sexless Adapter

RF Adapters Technical Data Sheet

PE9461

Description	Connector 1	Connector 2
Type	2.92mm Female	7mm Sexless
Polarity	Standard	Standard
Interface Specification		IEEE STD 287

Material Specifications

Description	Connector 1		Connector 2	
	Material	Plating	Material	Plating
Type	2.92mm Female		7mm Sexless	
Contact	Beryllium Copper	Gold	Beryllium Copper	Gold
Outer Conductor	Passivated Stainless Steel			
Body	Passivated Stainless Steel			
Coupling Nut	Passivated Stainless Steel			

Environmental Specifications

Temperature

Operating Range -65 to +125 deg C

Notes:



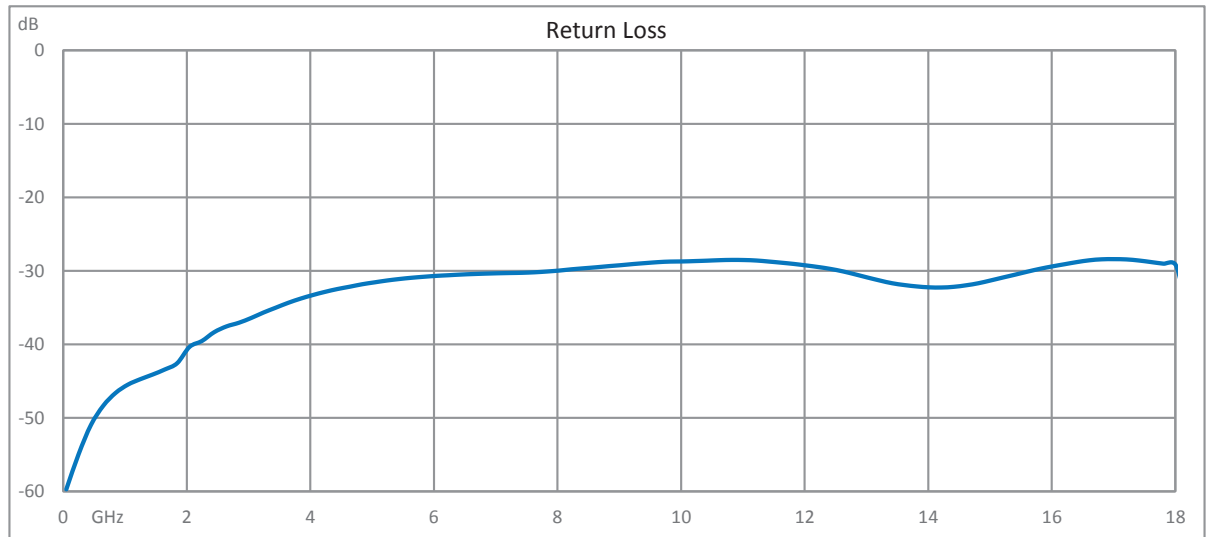


Precision 2.92mm Female to 7mm Sexless Adapter

RF Adapters Technical Data Sheet

PE9461

Typical Performance Data



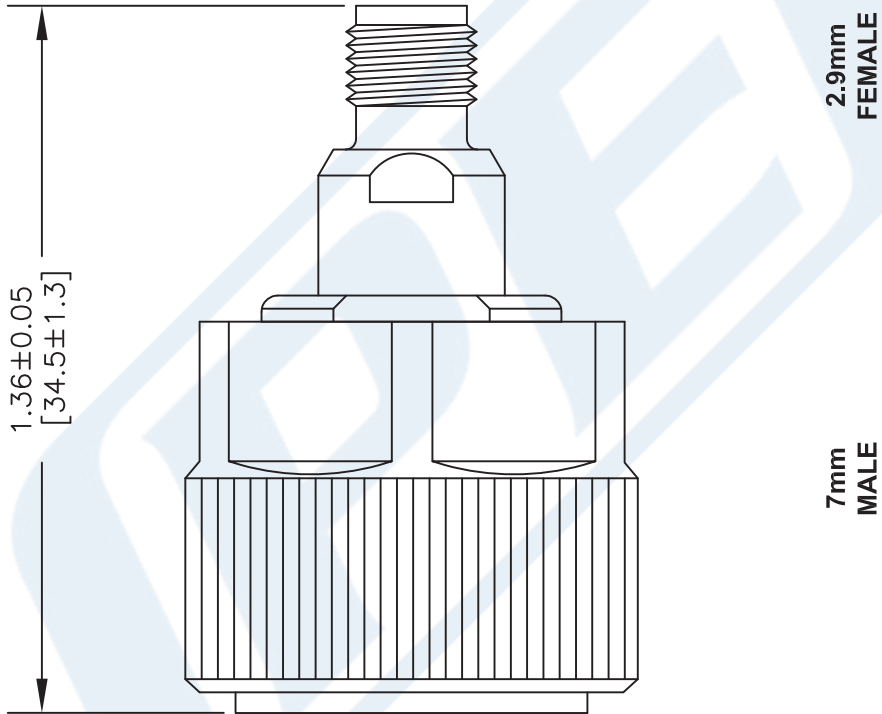
Precision 2.92mm Female to 7mm Sexless Adapter from Pasternack Enterprises has same day shipment for domestic and International orders. Our RF, microwave and millimeter wave products maintain a 99% availability and are part of the broadest selection in the industry.

The information contained in this document is accurate to the best of our knowledge and representative of the part described herein. It may be necessary to make modifications to the part and/or the documentation of the part, in order to implement improvements. Pasternack reserves the right to make such changes as required. Unless otherwise stated, all specifications are nominal. Pasternack does not make any representation or warranty regarding the suitability of the part described herein for any particular purpose, and Pasternack does not assume any liability arising out of the use of any part or documentation.



PE9461 CAD Drawing

Precision 2.92mm Female to 7mm Sexless Adapter



DWG TITLE

PE9461

FSCM NO. 53919

NOTES:
1. UNLESS OTHERWISE SPECIFIED ALL DIMENSIONS ARE NOMINAL.
2. ALL SPECIFICATIONS ARE SUBJECT TO CHANGE WITHOUT NOTICE AT ANY TIME.
3. DIMENSIONS ARE IN INCHES [mm].

CAD FILE 011916

SCALE N/A

SIZE A

150

