

AdvanTrack-600™

Real-time inventory
and location system





Video

Benefits:

- Persistent, accurate, and automated inventory
- Real-time location of items
- Reduction of stock-outs
- Shrinkage reduction
- Higher control of assets

Applications:

- Retail stores
- Hospitals
- Low height warehouses
- Asset tracking in offices/labs

Product overview

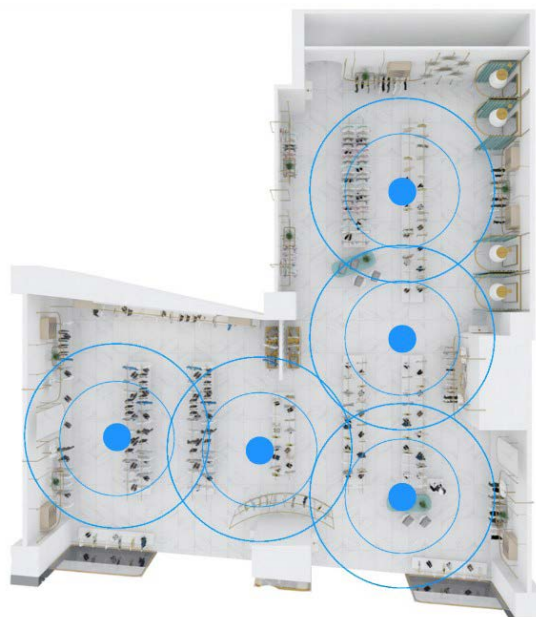
AdvanTrack-600 is an overhead RFID-based system that provides real-time inventory and location of all tagged items in a given space. Examples of such spaces are retail stores, small warehouses, hospital areas, etc.

AdvanTrack-600 achieves very high read rate and provides the location of each RFID tag with an accuracy of 1-2 metres.

Each unit covers an area between 20 m² and 60 m² depending on the tag density.

AdvanTrack-600 is very easy and inexpensive to install: it is powered by Power over Ethernet and requires no RF cables.

By providing real time inventory, AdvanTrack-600 allows retailers to increase on shelf availability, sales and customer satisfaction as well as to reduce time and workload of inventory cycle counts. This leads to more satisfied customers and more productive employees.



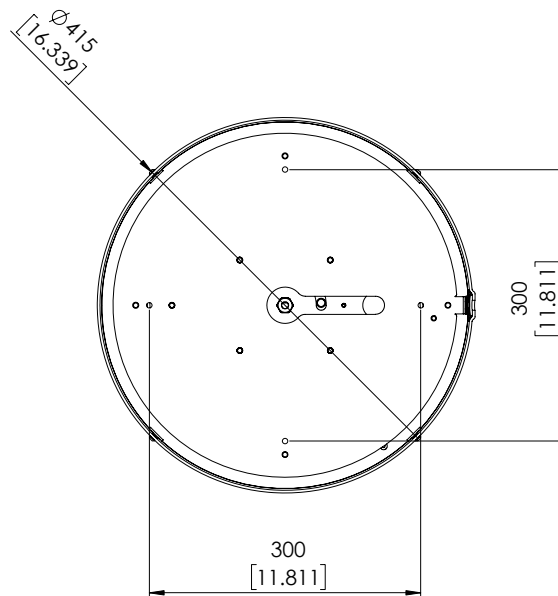
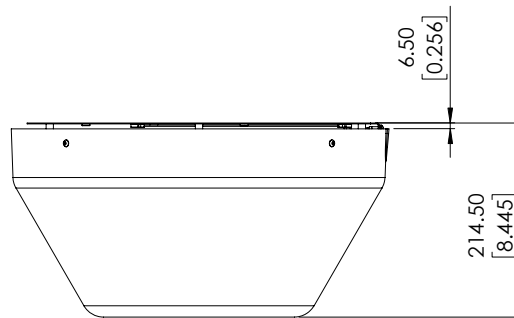
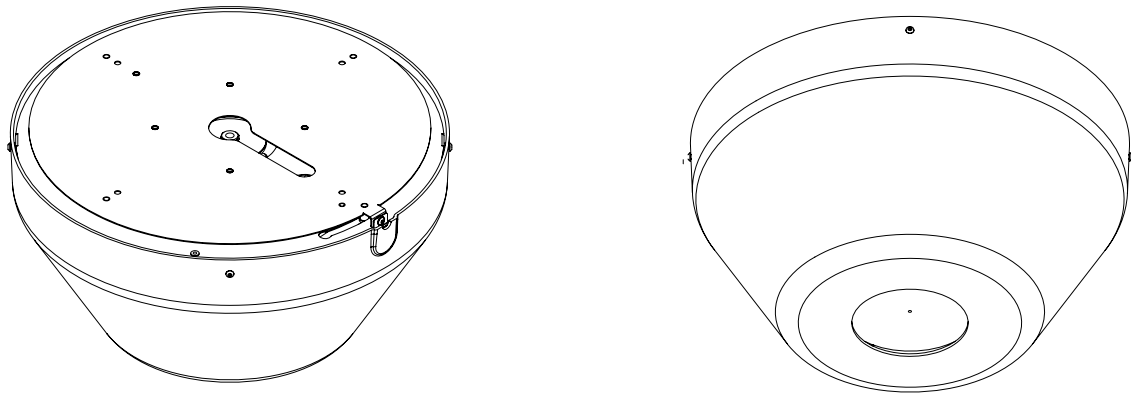


Technical specifications

Operating Frequency	865 - 928 MHz depending on region or country
RF Power output	Up to 31.5 dBm conducted power Conducted power may need to be reduced to meet regulatory limits
Standard Compliance	EPC Class1 Gen2 UHF (ISO 18000-6C)
Data interface	RJ45 (10/100 Base-T Ethernet)
Power supply	PoE 802.3at Type 1 or Type 2 (same cable as data interface cable)
Temperature range	0°C to +40°C
Power consumption	Idle consumption < 3 W Max consumption (@31.5 dBm) < 14 W
Power supply	Power Over Ethernet (PoE): IEEE 802.3af and 802.3at (Type I & Type II) Power consumption: Class 3 The PSE equipment must supply up to 15.4 W
Data communications	Ethernet: IEEE 802.3 up to 100 Mbps Ethernet over USB (USB mini Type-B connector) (maintenance connection)
LED indicators	LED status (RGB LED)
Temperature	Operating temperature: 0 °C to +40 °C Storage temperature: -10 °C to +60 °C
Dimensions	415mm x 214.5mm
Weight	5 kg 11 lb
Module	M7e-TERA



Mechanical specifications



Units in millimeters and [inches]



Product codes for ordering

ADTR	-	M	-	FF	-	mmm	
							M = model
		SP11-DP-2					SP11-DP-2
							FF = frequency band
				LB			Lower Band (865,6 MHz - 867,6 MHz)
				UB			Upper Band (902,0 MHz - 928,0 Mhz)
							mmm = series
						600	Model 600

Examples:

ADTR-SP11-DP-2-LB-600:

- AdvanTrack
- SP11-DP-2
- LB - Lower frequency band
- Model 600

ADTR-SP11-DP-2-UB-600:

- AdvanTrack
- SP11-DP-2
- UB - Upper frequency band
- Model 600



Copyright © Keonn Technologies S.L.
All rights reserved.

Information in this publication
supersedes all earlier versions.
Specifications subject to change
without notice.

