



keonn Retail RFID
Systems

AdvanFlow™

High performance transition
portal



Tel: +34 931 814 477

Barcelona
London



ES France - Département Composants & Modules
127 rue de Buzenval BP 26 - 92380 Garches



Tél. 01 47 95 99 89



e-mail : comp@es-france.com
Site Web : www.es-france.com



Video

Benefits:

- Sales increase in retail stores by keeping full control of the stock in real time
- Works fully autonomously
- Generates automatic stock movements

Applications:

- Tracking movement of goods inside stores: from stock room to store front, between stock rooms, between floors, ...
- Tracking goods entering and exiting the fitting room area

Product overview

Many retailers use handheld RFID readers for taking periodic stock counts and keeping a high stock accuracy. However, between stock counts, the retailer may lose visibility of the real stock in the stock room and in the sales floor.

AdvanFlow family of products are RFID-based transition portals that allow the retailer to keep full control of the stock in real time. In this way, the retailer replenishes or restocks items when needed, which improves the customer shopping experience and increases sales.

AdvanFlow is placed in the space between the stockroom and the storefront, and detects the tagged items being moved from back to front and vice versa.

Direction detection is either entered manually through a touchscreen (AdvanFlow-100), or done automatically (AdvanFlow-200) without the need of any external sensors. Detected items are uploaded directly to AdvanCloud or are sent to 3rd party IT systems.

AdvanFlow is specially designed for areas with tagged items in close proximity.

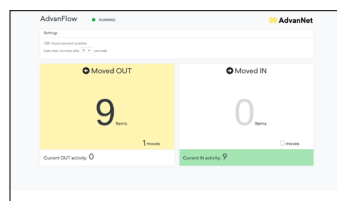
AdvanFlow-100 comprises:

- RFID reading point
- 10 inch touch screen
- AdvanCloud software

The screen is used to validate the detected products and to define direction of movement.

AdvanFlow-200 comprises:

- High power RFID reader
- Two reading columns. This expands the active reading area and helps detecting direction of movement
- Optional: AdvanCloud software
- Optional: Monitor page and screen that visually shows the items read by each antenna and the inferred direction of movement



AdvanFlow does not need any external computer. It works fully autonomously and generates Move events. When operating with Keonn's AdvanCloud, the Move events are transformed into automatic stock movements.





Technical specifications AdvanFlow-100

RF Power output	Programmable from 0 dBm to 27 dBm in 0.5 dBm steps
Screen size	10 inches
Weight	1,05 Kg

Technical specifications AdvanFlow-200

Operating Frequency	FCC (NA, SA) (902 to 928) MHz ETSI (EU, IN) (865.6 to 867.6) MHz MIC (KR) (910 to 914) MHz SRRC-MII (P.R.China) (920.125 to 924.875) MHz Australia (AU) (920.750 to 925.250) MHz New Zealand (NZ) (922.250 to 927.250) MHz Israel (IS) (915.0 to 917.0) MHz (2) Japan (JP) (916.8 to 920.8) MHz (3) Brazil (902 to 907.5) MHz (915 to 928) MHz by using channel selection Chile (916 to 928) MHz by using channel selection Peru (916 to 928) MHz by using channel selection Taiwan (922 to 928) MHz by using channel selection Open Region (1) (865 to 869) MHz and (902 to 928) MHz (by using channel selection) (2)
Beam width	40° / 70°
Polarization	Circular
Power supply	Power over Ethernet
Energy Consumption	< 14 W max., < 3 W idle
Reader Power	Maximum 31,5 dBm (may be limited to conform to country or area regulations) Recommended max. 30 dBm
Interface	Ethernet and USB
Transponder Protocol Standard	EPC Class1 Gen2
Operating System	Linux - Fully open
Temperature range	-20 °C to +40 °C
Dimensions	604 mm x 150 mm x 50 mm (left) 610 mm x 200 mm x 50 mm (right)
Weight	Primary 2235 g Secondary 1955 g
Human exposure	EN 50364
EMC	EN 301 489, EN 300 220
Air Interface (EU)	EN 302 208 v1.2

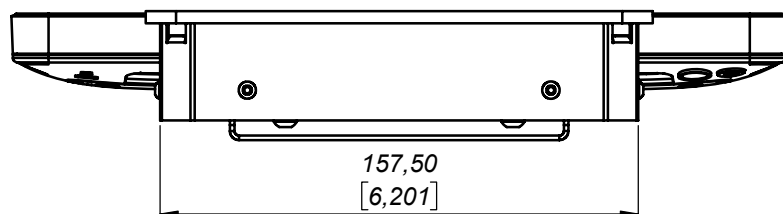
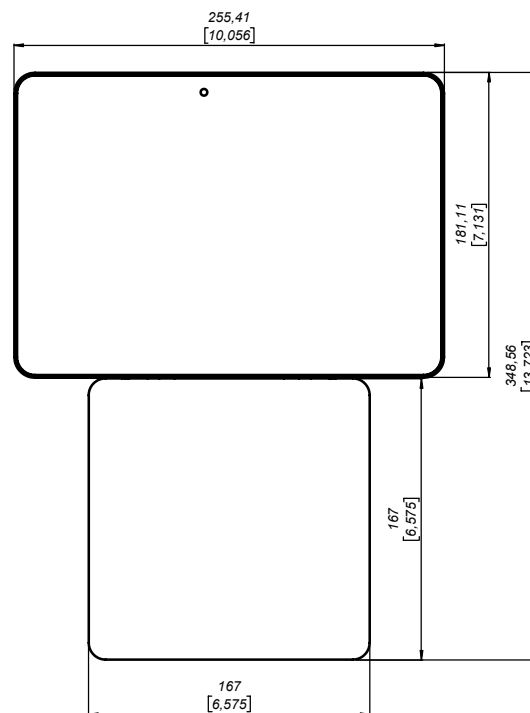
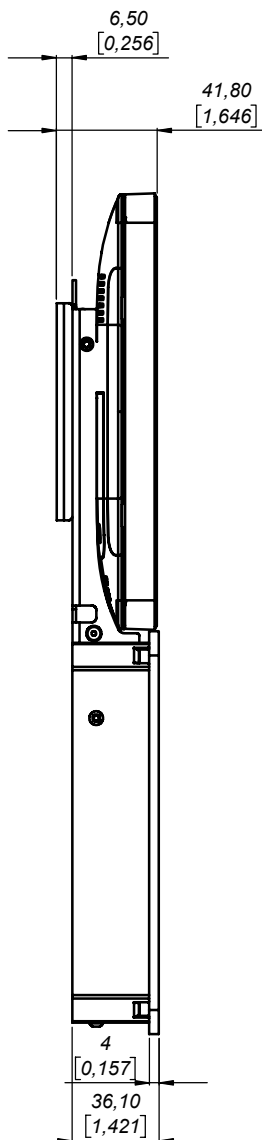
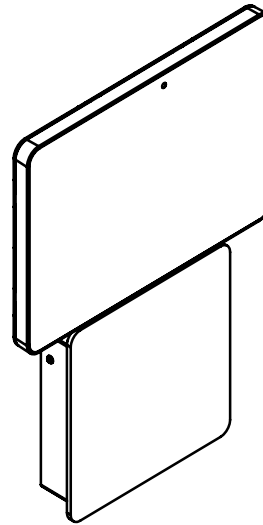
(1) Open channel specified applies to ETSI/FCC versions. CH versions open channel is defined between 840 to 845 MHz and 920 to 925 MHz.

(2) Band is defined as a carrier sub-set from FCC. There is no specific Surface Acoustic Wave (SAW) filter for the band. Given the maximum conducted power there shouldn't be problems with local regulation.

Operational recommendations

A one meter area without tagged items around AdvanFlow must be observed.

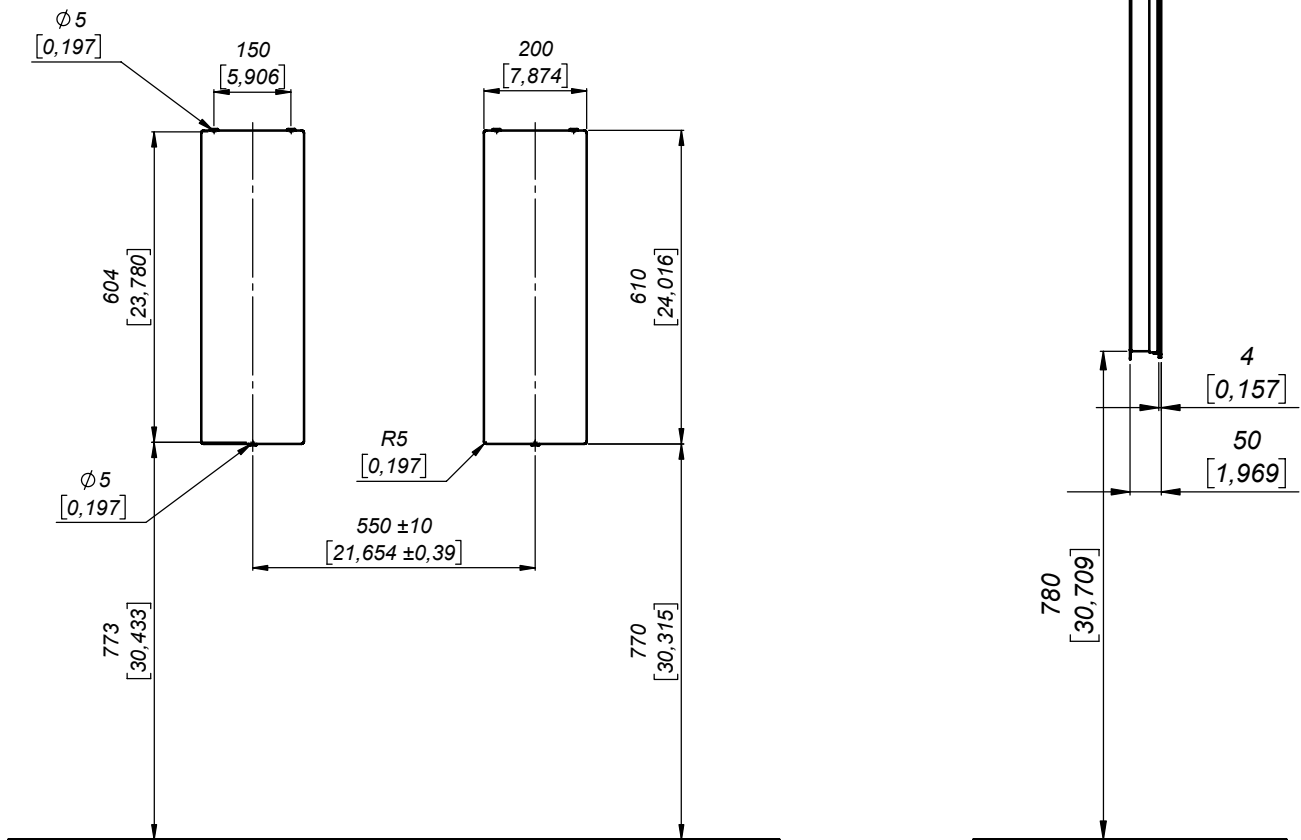
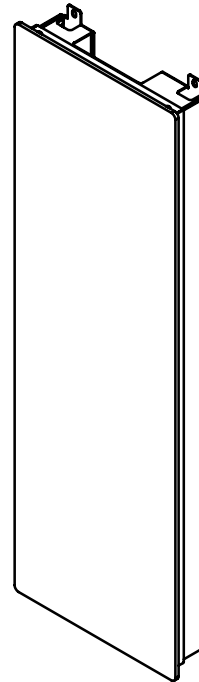
Mechanical specifications AdvanFlow-100



Units in millimeters and [inches]



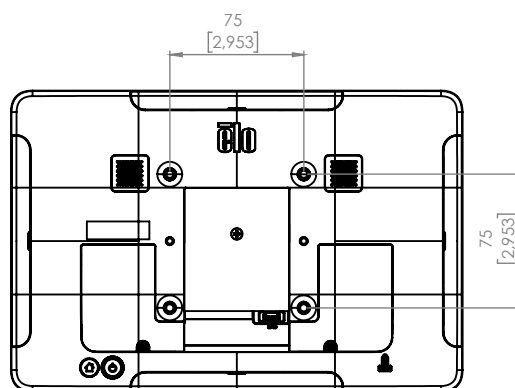
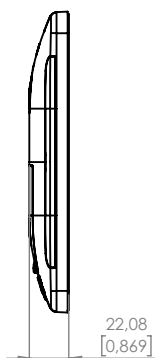
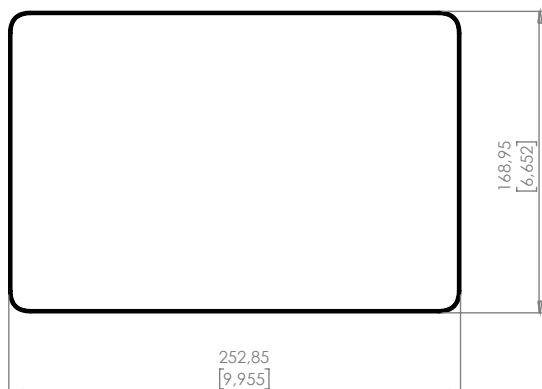
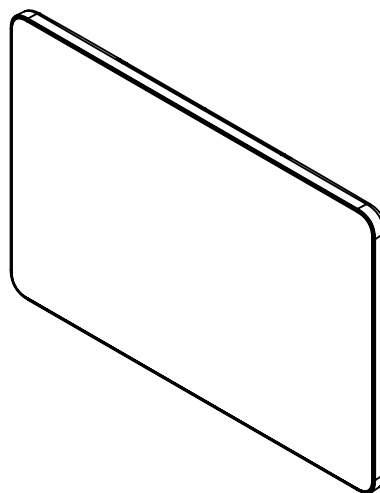
Mechanical specifications AdvanFlow-200



Units in millimeters and [inches]



Mechanical specifications Screen for AdvanFlow-200



Units in millimeters and [inches]



Product codes for ordering

ADLK	-	SS	O	-	FF	-	mmm	
								SS = screen size
		10						10 inch
								O = Options
			t					touch screen
			tw					touch screen with WiFi
								FF = frequency band
					EU			865.6 MHz – 867.6 MHz
					US			902.0 MHz – 928.0 MHz
					CH			920,5 Mhz – 924,5 Mhz
								mmm = model
							100	Model Nr. for 10" version

ADFL	-	FF	-	A	-	mmm		
								FF = frequency band
		EU						865.6 MHz – 867.6 MHz
		US						902.0 MHz – 928.0 MHz
								A = antenna model
				2CP14				Advantenna-CP14
								mmm = series
							200	Model 200

Examples:

ADLK-10TW-EU-100

- AdvanLook
- Frequency band : 865.6 MHz – 867.6 MHz
- 10" screen
- Touch screen with WiFi
- Model 100

ADFL-2CP14-US-200

- AdvanFlow
- 2 columns of Advantenna-CP14
- Frequency band : 902.0 MHz – 928.0 MHz
- Model 200





Copyright © Keonn Technologies S.L.
All rights reserved.

Information in this publication
supersedes all earlier versions.
Specifications subject to change
without notice.



ES France - Département Composants & Modules
127 rue de Buzenval BP 26 - 92380 Garches



Tél. 01 47 95 99 89



e-mail : comp@es-france.com
Site Web : www.es-france.com