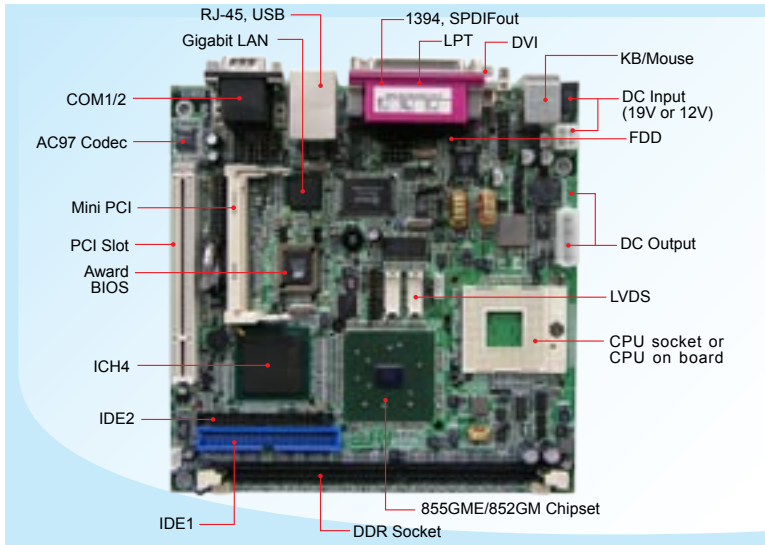


IPC Motherboards MB890

Socket 479 Pentium® M Mini-ITX Motherboard w/ Intel® 855GME / 852GM Chipset

Pentium® M-Based



>> Features

- Supports Pentium® M / Celeron® M processors
Up to 2.0GHz, 400MHz FSB
- DDR DIMM x 1, Max. 1GB
- Integrated VGA, shared memory, CRT/LVDS/DVI, supports dual display
- Integrated 10/100 BaseT or Gigabit Ethernet
- Watchdog timer, 6 x USB 2.0 ports
- 1 x PCI, 1 x Mini PCI slot
- Optional 2 x 1394, TV-out

System

CPU	Socket 479 for Pentium® M / Celeron® M, up to 2.0GHz
System Memory	DDR DIMM x 1, Max. 1GB
System Chipset	Intel® 855GME / 852GM + ICH4, 400MHz FSB
BIOS	Award
Watchdog Timer	256 levels
SSD	Optional CF socket
H/W Monitor	Yes
Expansion Slot	1 PCI (2 masters), 1 Mini PCI

Graphics

VGA Controller	Intel® 855GME integrated graphics (Intel® Extreme Graphics 2 technology), supports dual display
VGA Memory	Intel DVMT 2.0 shared memory Max. 96MB
LCD Interface	18-bit LVDS (dual channel)
Options	TV-out

Ethernet

LAN Controller	ICH4 integrated, 10/100Mbps + PHY 82562EZ or Intel® 82541GI, 10/100/1000Mbps
Connector	RJ-45 on board

Multi I/O

Chipset	Winbond W83627HF 2x IDE (UDMA33/66/100), 1x FDD, 1x KB, 1x Mouse, 2x RS-232, 1x LPT
USB	6 ports on board (USB 2.0)
Audio	Built-in audio + AC97 codec
Others	IrDA, optional 2x 1394

Mechanical and Environmental

Dimensions	170mm x 170mm (6.7" x 6.7")
Max. Power Requirement	Pentium® M 1.7GHz w/ 1GB DDR +12V: 4.43A
Operating Temperature	0°C~60°C (32°F~140°F)
Storage Temperature	-20°C~80°C (-68°F~176°F)
Relative Humidity	10%~90% (non-condensing)

Ordering Information

MB890-R	Socket 479 852GM Mini-ITX motherboard w/ VGA and 10/100 Ethernet (RoHS compliant)
MB890C-R	Socket 479 852GM Mini-ITX motherboard w/ VGA, CF socket and 10/100 Ethernet (RoHS compliant)
MB890F-R	Socket 479 855GME Mini-ITX motherboard w/ VGA, 1394, TV-out and Gigabit Ethernet (RoHS compliant)
MB890FC-R	Socket 479 855GME Mini-ITX motherboard w/ VGA, 1394, TV-out, CF socket and Gigabit Ethernet (RoHS compliant)
MB890-C6K-R	ULV Celeron® M 600 (w/o cache) on board, 852GM Mini-ITX motherboard w/ VGA and 10/100 Ethernet (RoHS compliant)
MB890-C6C-R	Celeron® M 600 (w/o cache) on board, 852GM Mini-ITX motherboard w/ VGA, CF socket and 10/100 Ethernet

Remarks:

* Specifications are subject to change without prior notice.