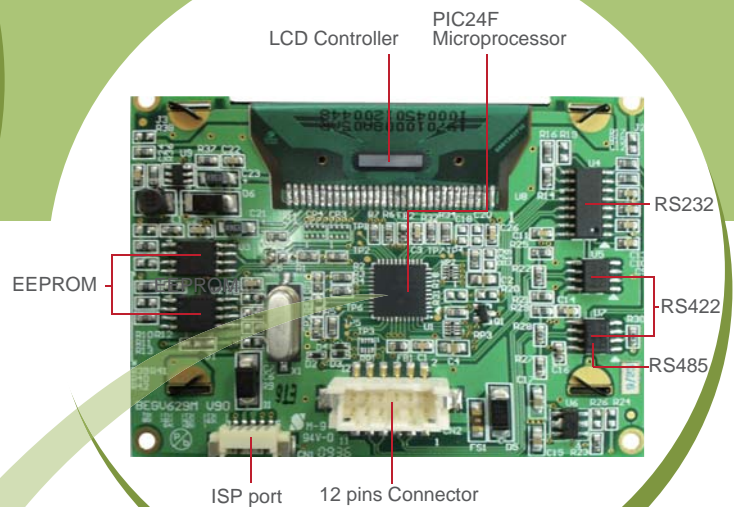


BEGV629M

µp Display Embedded System



Your 64KB
application program
here!

Features

- High performance, Low power PIC 16-bit microprocessor
- Built-in 64KB ISP Flash memory / 8KB SRAM
- On board updateable 64KB EEPROM (128KB option)
- 1 x RS485 / 422 / 232, 1 x RS232
- Current consumption 150mA
- On-chip power-on reset (POR) and programmable watchdog reset
- 128 x 64 monochrome OLED
- Comprehensive set of development tools and application notes for self programming
- RS485 / 422 / 232 driver, I²C EEPROM driver, OLED driver and utility are supported
- Dimension (W x H x D): 75 x 52.7 x 12.3mm

Hardware Specifications

Processor

- Microchip PIC24FJ64GA004 16-bit microprocessor

Memory

- 64KB in-system programmable flash
- 8KB internal SRAM
- 64KB x 1 external I²C CMOS EEPROM (option: 64KBx2)

Display Interface

- Support 8-bit 128 x 64 monochrome OLED

RS232 / 422 / 485 Port

- Support dual serial port, one is three-wired RS232, another is shared in among RS232/422/485 port by option

Software Utilities

- Support RS232 / 422 / 485 driver, I²C EEPROM driver, and OLED driver for free

DC Requirement

- DC4.5V~5.5V

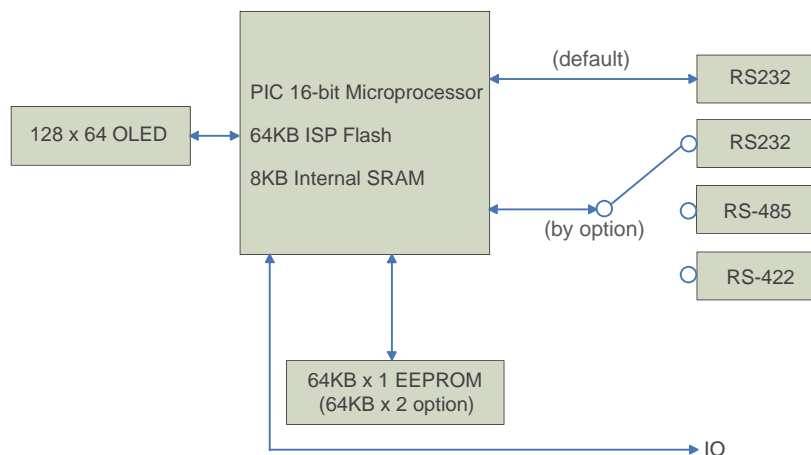


BOLYMIN, INC.

Packing List

- BEGV629M Embedded System
- User Manual
- Software Utility Disc
- ICD 3 and ISP Cable (option)

BEGV629M BLOCK DIAGRAM




Pin Mapping Table

| PIN NO. | Signal | PIN NO. | Signal |
|---------|--------|---------|----------------|
| 1 | VDD | 7 | 422TP/485P/TX1 |
| 2 | GND | 8 | IOA |
| 3 | 422RP | 9 | 422TN/485N/RX1 |
| 4 | TX0 | 10 | IOB |
| 5 | 422RN | 11 | /RST |
| 6 | RX0 | 12 | IOC |

Order Information

| Parts NO. | Description | RS232-A | RS232-B | RS422 | RS485 |
|-----------|---------------------|---------|---------|-------|-------|
| BEGV629M | Dual RS232 | ☆ | ☆ | | |
| BEGV629M1 | One RS232 | ☆ | | | |
| BEGV629M2 | One RS232/One RS422 | ☆ | | ☆ | |
| BEGV629M3 | One RS232/One RS485 | ☆ | | | ☆ |

BEGV606M/627M/629M/639M Display Embedded System



MICROCHIP PIC 16bit microprocessor
 PIC24FJ64GA004
 64K Bytes In-system programmable flash
 8K Bytes SRAM



240 x 64 STN



128 x 64 OLED



BEGV639M



BEGV629M



MICROCHIP PIC 16bit microprocessor
 PIC24FJ64GA002
 64K Bytes In-system programmable flash
 8K Bytes SRAM



128 x 64 STN



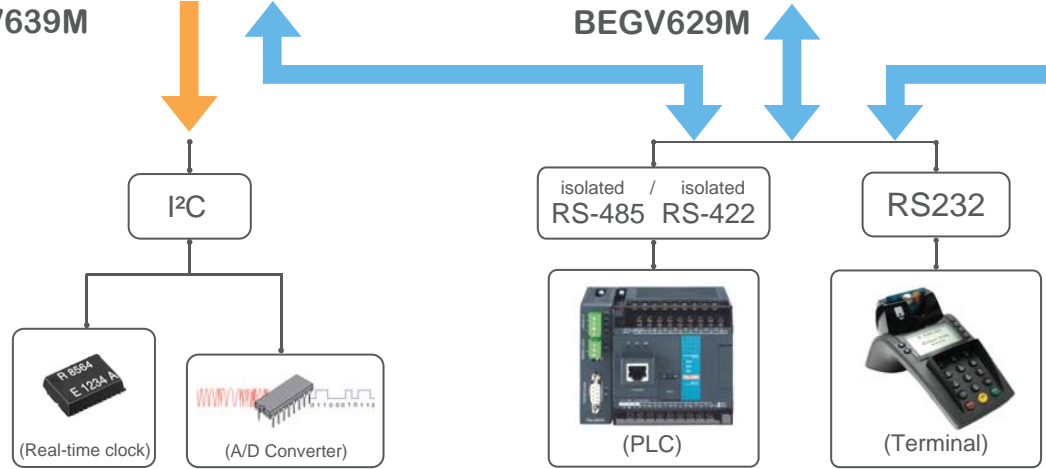
20 x 2 STN



BEGV627M



BEGV606M



BOLYMIN, INC.