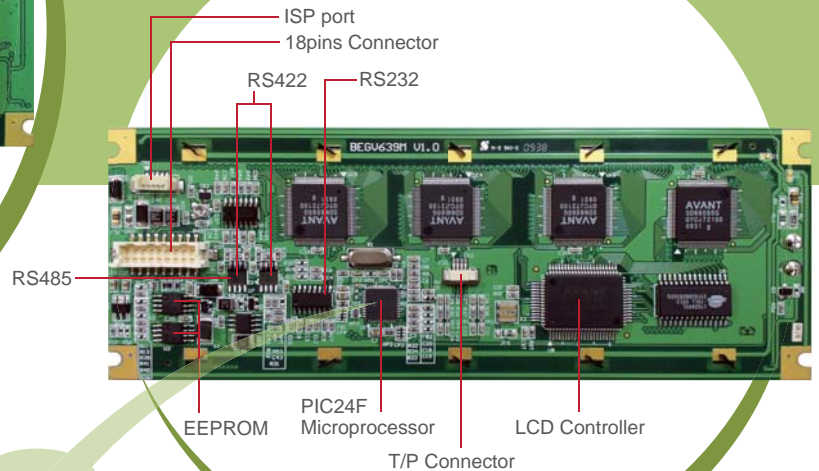


# BEGV639M

## µp Display Embedded System



Your 64KB application program here!

### Features

- High performance, Low power PIC 16-bit microprocessor
- Built-in 64KB ISP Flash memory / 8KB SRAM
- On board updateable 64KB EEPROM (128KB option)
- 1 x RS485 / 422 / 232, 1 x RS232
- High speed I<sup>2</sup>C
- Built-in 4-wired resistive touch panel
- Current consumption 160mA
- 240 x 64 monochrome STN LCD
- On-chip power-on reset(POR) and programmable watchdog reset
- Comprehensive set of development tools and application notes for self programming
- RS485 / 422 / 232 driver, I<sup>2</sup>C driver, touch panel driver, LCM driver and utility are supported
- Dimension (W x H x D): 180 x 65 x 19mm

### Hardware Specifications

#### Processor

- Microchip PIC24FJ64GA004 16-bit microprocessor

#### Memory

- 64KB in-system programmable flash
- 8KB internal SRAM
- 64KB x 1 external I<sup>2</sup>C CMOS EEPROM (option: 64KBx2)

#### Display Interface

- Support 8-bit scan 240 x 64 monochrome STN LCD (edge LED white backlight)

#### RS232 / 422 / 485 Port

- Support dual serial port, one is three-wired RS232, another is shared in among RS232/422/485 port by option

#### Serial Peripheral Interface

- One two-wired serial interface (I<sup>2</sup>C) 250KHz data transfer speed

#### Touch Panel Interface

- Support four-wired resistive touch panel interface

#### Software Utilities

- Support RS232 / 422 / 485 driver, I<sup>2</sup>C driver, touch panel driver and LCM driver for free

#### DC Requirement

- DC4.5V~5.5V

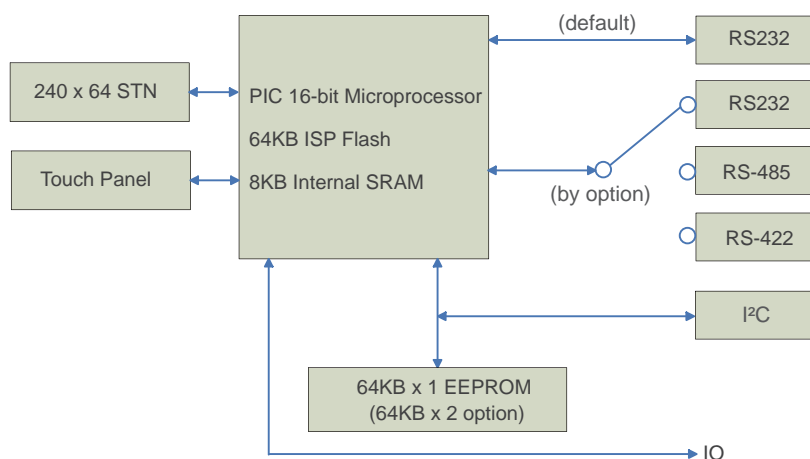


BOLYMIN, INC.

### Packing List

- BEGV639M Embedded System
- User Manual
- Software Utility Disc
- ICD 3 and ISP Cable (option)

### BEGV639M BLOCK DIAGRAM



### Pin Mapping Table

PIN NO.	Signal	PIN NO.	Signal
1	GND	10	IOA
2	TX0	11	422TP/485P/TX1
3	VDD	12	IOB
4	RX0	13	422TN/485N/RX1
5	VADJ	14	IOC
6	SCL	15	422RP
7	Vout	16	A
8	SDA	17	422RN
9	/Reset	18	K

### Order Information

Parts NO.	Description	RS232-A	RS232-B	RS422	RS485
BEGV639M	Dual RS232	☆	☆		
BEGV639M1	One RS232	☆			
BEGV639M2	One RS232/One RS422	☆		☆	
BEGV639M3	One RS232/One RS485	☆			☆

Display: FSTN/Gray LCD,LED/White Backlight(Default)

# BEGV606M/627M/629M/639M Display Embedded System

**MICROCHIP PIC 16bit microprocessor**  
 PIC24FJ64GA004  
 64K Bytes In-system programmable flash  
 8K Bytes SRAM

**MICROCHIP PIC 16bit microprocessor**  
 PIC24FJ64GA002  
 64K Bytes In-system programmable flash  
 8K Bytes SRAM



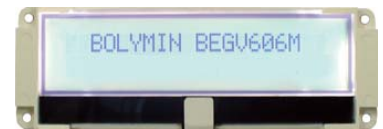
240 x 64 STN



128 x 64 OLED



128 x 64 STN



20 x 2 STN



BEGV639M



BEGV629M



BEGV627M



BEGV606M

