

DC-DC SERIES: P038

Third generation of planar transformers

Features

- High power planar transformer for DC/DC converter.
- According UL1950 / EN60950.
- UL 94V0 material.
- Storage temperature from -20°C to 130°C.
- Operating temperature -20°C to 85°C.
- Power up to 720W.



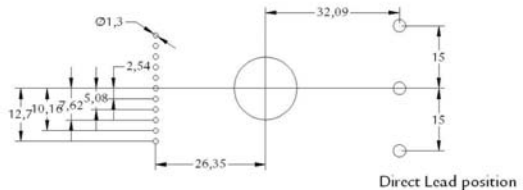
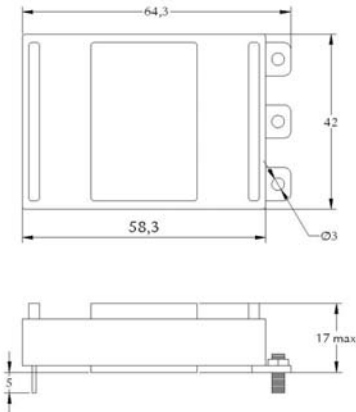
Electrical specifications

Part Number	Input Voltage Vdc (V)	Output Voltage (V)	Output Current (A)	Power (W)	Frequency (kHz)	Duty cycle	Topology	Inductance ($\mu\text{H}\pm 25\%$)	Typ Leakage Inductance (μH)	Turns Ratio (Pri:Sec)	Max Total losses (W)
P038PP1CP1	36-72	12	60	720	120	0,46	Push - Pull	187	0,50	5:2	7
P038PP1CP2	36-72	3,3	150	500	100	0,45	Push - Pull	480	0,50	8:1	5

Notes

Direct Leads on Secondary side.M-3 screw recommended.

Dimensions



Recommended PCB layout

Schematics

