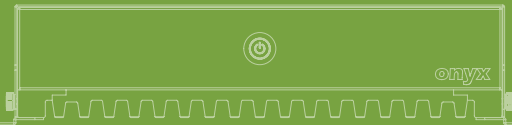
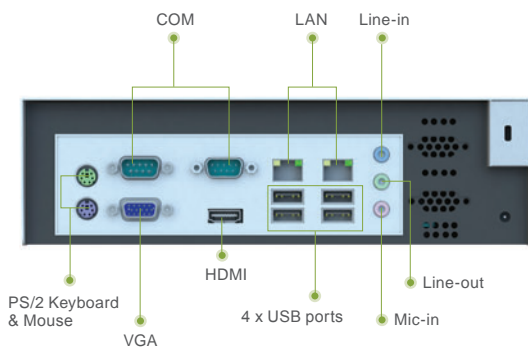


MedPC-1200



Hospital Grade Box PC with AMD G series APU Processor



Features



- ◆ High Performance AMD® Dual core T56N 1.6GHz Processor
- ◆ Multiple display outputs support versatile dual display function
- ◆ System chassis of easy clean design (no airhole)
- ◆ The top cover with IPX1 protection
- ◆ AMD radeon HD6320M graphic engine inside
- ◆ Guarantee 5 years life time



Applications

- ◆ HIS, NIS, LIS, RIS
- ◆ Pharmaceutical industry
- ◆ Biotech Lab
- ◆ Signage in hospital
- ◆ Equipment control

Specifications

Main Specifications

Processor	AMD G series T56N 1.6GHz dual core processor
System Memory	DDRIII SODIMM x 1 204 pin supports DDRIII 1066/1333, Max. 4GB(optional)
Chipset	AMD A55E controller Hub
OS Support Chipset	Windows® 7, Windows XP Pro, Linux
Expansion	Mini Card x 1
Storage Disk Drive	2.5" SATA Hard Disk Drive bay x 1, support SATA3.0(6Gb/s) SSD.

Graphic specification

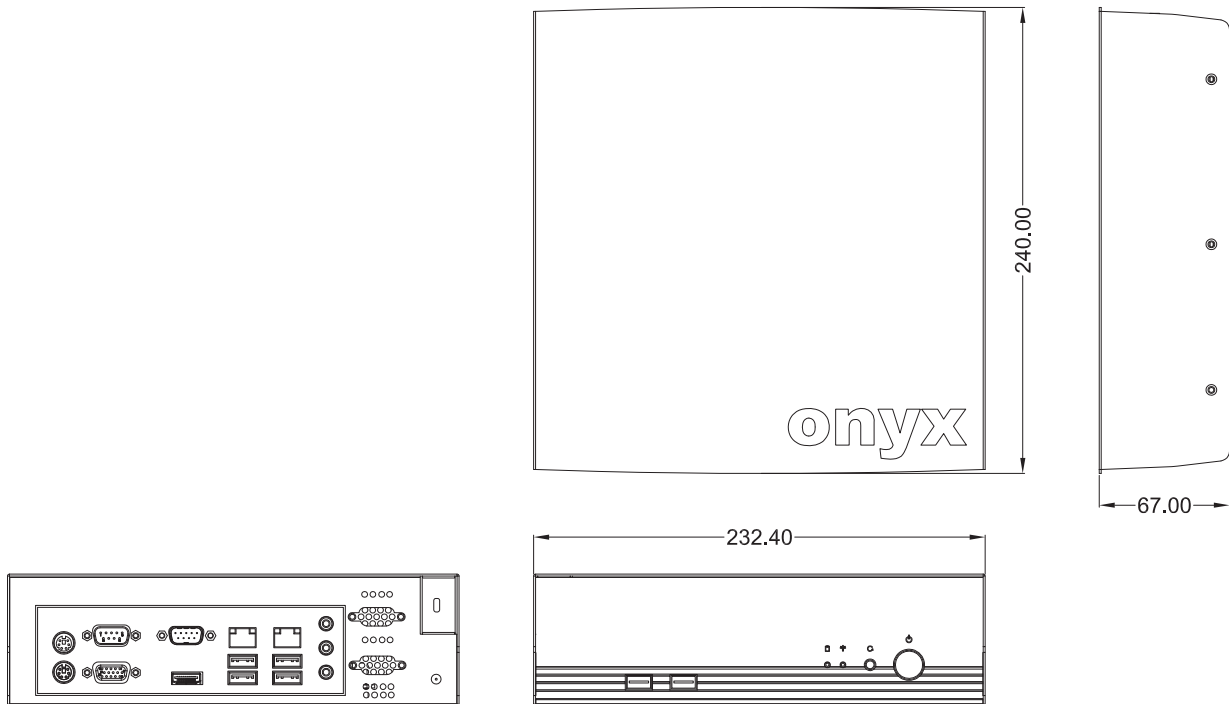
Chipset	AMD Radeon HD 6320(T56N)
Resolution	VGA x 1 supports up to 2560 x 1600
	Digital output interface x 1, support 1920 x 1080
	eDP x 1, up to 2560 x 1600

I/O

Audio	Mic-in , Line-in, Line-out, 3 phone jacks.
USB	USB 2.0 x 4 (Rear), USB 2.0 x 2 (Front)
Serial Port	RS-232 x 2
Ethernet	GbE LAN x 2 by RJ-45
KB/MS	PS/2 keyboard x 1, PS/2 mouse x 1

Mechanical and Environmental

Power Requirement	DC 12V power input
Operating Temperature	0°C ~ 40°C(32°F ~ 104°F)
Storage Temperature	-20°C ~ 60°C(-4°F ~ 140°F)
Mounting	Desktop
Net Weight	4Kg
EMC	CE/FCC Class A



Ordering Information

- » TF-MEDPC-1200-A1-1010
Embedded Med PC, AMD T56N 1.6GHz CPU, 2GB RAM, 6 USB,
2 COM, 2 Video out.

Optional Accessories

- » 1757212000
AC Adaptor.100-240Vac.120W.12V.10A
- » TF-PER-M79
Mini Card WLAN 802.11 b/g/n Module

