

# SLFS Series

## PRODUCT SERIES OVERVIEW

# Connectorized, Fixed-Frequency Synthesizer

## 10 MHz to 12 GHz

### FEATURES

- Fixed-Frequencies to 12 GHz
- Output Power to +20 dBm Available
- Optional Internal Reference
- Small, Connectorized Package (1.5" x 1.5" x 0.6")



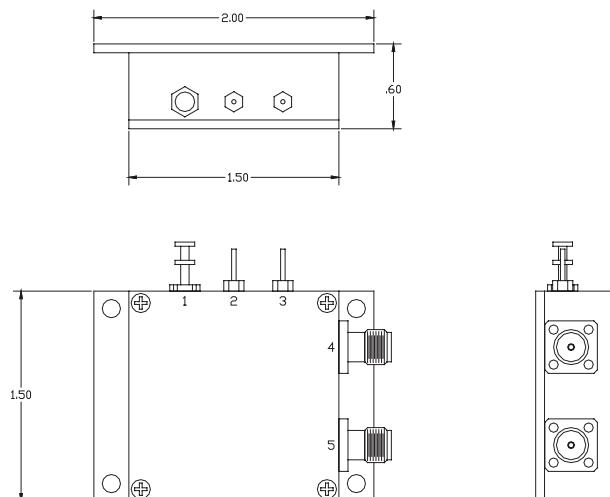
Custom Designs Available

### SPECIFICATIONS

Frequency Range.....	10 MHz to 12 GHz	Phase Noise (dBc/Hz)	1000 MHz	6000 MHz
Bandwidth.....	Fixed	1 KHz Offset .....	<-100	<-83
External Reference.....	5 to 100 MHz	10 KHz Offset .....	<-110	<-90
Internal Reference (Optional) .....	$\pm 2.5$ ppm, Stability	100 KHz Offset .....	<-116	<-114
Power Output.....	up to +20 dBm	1 MHz Offset.....	<-146	<-134
Harmonics .....	<-30 dBc			
Spurs .....	<-70 dBc	Temperature Ranges (Operating)		
Supply Options .....	+5, +8, +12, +15 VDC	Standard.....	0°C to +50°C	
Current.....	$\leq 250$ mA	Other Available Ranges.....	-20°C to +60°C	
			-30°C to +70°C	
			-40°C to +85°C	
Package Size.....	1.5" x 1.5" x 0.6"			
	(38.1 x 38.1 x 15.2)mm			

Note: All specifications are typical unless otherwise specified and subject to change without notice. Not all performance parameters are available in combination with certain specifications. E.G. Not all power output levels are available at all frequency ranges.

### PACKAGE OUTLINE



Notes:  
 1. All dimensions are in inches unless otherwise specified.  
 2. Diagrams and pictures shown are examples only.

SLFS Series\_Product Overview Datasheet, Rev B, 10.19.12

**EM Research**<sup>™</sup>  
 The Ultimate Source for Miniature Frequency Synthesizers

(ES) Equipements Scientifiques SA - Département RF & Hyperfréquences - 127 rue de Buzenwal BP 26 - 92380 Garches  
 Tél. 01 47 95 99 60 - Fax. 01 47 01 16 22 - e-mail: msi@es-france.com - Site Web: www.es-france.com