

# REF Series

## PRODUCT SERIES OVERVIEW

# Connectorized, Free-Running Reference Oscillator

## 5 to 500 MHz

### FEATURES

- Available Frequencies of 5 to 500 MHz
- Low Phase Noise
- Output Power to +12 dBm Available
- Small, Connectorized Package (1.5" x 1.5" x 0.6")



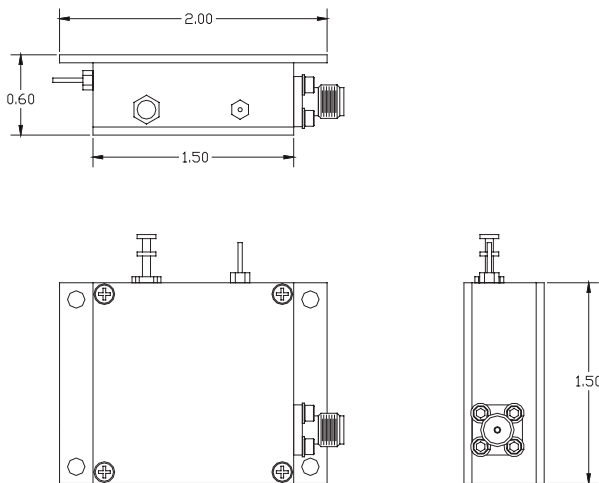
Custom Designs Available

### SPECIFICATIONS

Frequency Range.....	5 to 100 MHz	Phase Noise (dBc/Hz)	10 MHz	50 MHz
Bandwidth.....	Fixed	100 Hz Offset.....	<-141	<-127
Internal Reference.....	$\pm 2.5$ ppm, Stability	1 KHz Offset.....	<-150	<-145
Aging:.....	<1.0 ppm, 1st year @ +40°C	10 KHz Offset.....	<-152	<-155
Power Output.....	up to +12 dBm	100 KHz Offset.....	<-153	<-160
Harmonics.....	<-20 dBc			
Spurs.....	<-70 dBc			
Supply Options.....	+5, +8, +12 VDC	Temperature Ranges (Operating)		
Current.....	$\leq 100$ mA	Standard.....	0°C to +50°C	
		Other Available Ranges.....	-20°C to +60°C	
			-30°C to +70°C	
			-40°C to +85°C	
Package Size.....	1.5" x 1.5" x 0.6"			
	(38.1 x 38.1 x 15.2)mm			

Note: All specifications are typical unless otherwise specified and subject to change without notice. Not all performance parameters are available in combination with certain specifications. E.G. Not all power output levels are available at all frequency ranges.

### PACKAGE OUTLINE



Notes:  
 1. All dimensions are in inches unless otherwise specified.  
 2. Diagrams and pictures shown are examples only.

REF Series\_SMA\_Product Overview Datasheet, Rev B, 10.19.12

**EM Research**<sup>TM</sup>  
 The Ultimate Source for Miniature Frequency Synthesizers

(ES) Equipements Scientifiques SA - Département RF & Hyperfréquences - 127 rue de Buzenwal BP 26 - 92380 Garches  
 Tél. 01 47 95 99 60 - Fax. 01 47 01 16 22 - e-mail: msi@es-france.com - Site Web: www.es-france.com