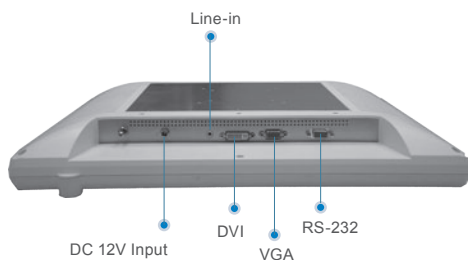


ONYX-319

19" Slim Medical TFT Display



Features



- ◆ 19" True Color High Contrast Ratio Medical LCD
- ◆ 5-wire Resistive Touch Screen(Optional)
- ◆ Build-in 3-watt Speakers
- ◆ Nursing or EMR / EHR Solution
- ◆ CE/FCC Class B, EN/UL60601-1 Medical Certification



Specifications

Display

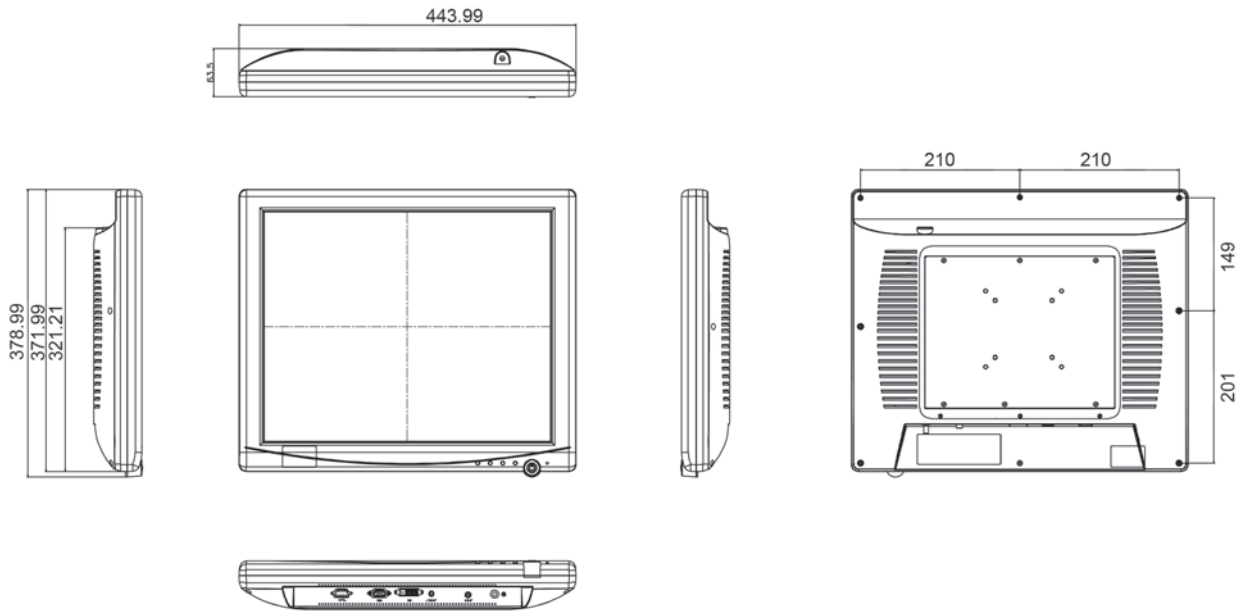
Size	19"
Resolution	1280 x 1024
Max. Colors	16.7M
Luminance	300nits
View Angle	178°(H)/178°(V)
Contrast Ratio	2000:1
Back Light Life Time	50,000 Hours
Touch Screen	5-wire resistive(optional)
OS Support for Touch Screen Controller	Windows®XP, Window® 7, Linux

I/O

Display Input	VGA x 1, DVI x 1
Serial Port	RS-232 x 1 for touch screen controller
Audio	Line-in x 1 for internal speakers

Mechanical and Environmental

Power Requirement	+12V DC
Operating Temperature	0°C ~ 40°C(32°F ~ 104°F)
Storage Temperature	-20°C ~ 60°C(-4°F ~ 140°F)
Storage Humidity	10%~95%@35°C, non-condensing
Gross Weight	18.4 lb (8.2kg)
Net Weight	14.3 lb (6.5kg)
Certification	CE/FCC Class B, UL 60601-1, EN 60601-1



Ordering Information

- » TF-ONYX-319DT-A1-1010
Slim Medical Display, 19" LCD, DC12V, Power Adapter
- » TF-ONYX-319DTT-A1-1010
Slim Medical Display, 19" LCD, DC12V, Power Adapter, Touch Screen


Optional Accessories

- » TF-OPM-H02S
Desktop Stand with VESA 75/100

