

Rugged Handheld Device 7"

M700D

Model Name : M700D

Product Features:

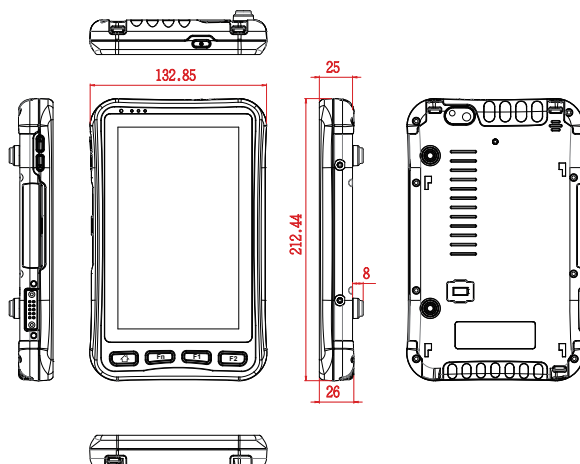
- Intel® Atom™ Processor Dual Core N2600 1.6 GHz
- 7"WSVGA(1024x600)TFT LCD Display
- Compliant with MIL-STD-810F
- Projected Capacitive Multi-Touch Screen
- 2.0M Camera in Rear Side(with LED auxiliary light, Auto Focus)
- G-sensor and Light sensor
- Built-in WLAN 802.11 2.4GHz a/b/g/n & Bluetooth 2.1+EDR
- Optional 3G & Neo-6 GPS
- Windows® 7 OS



Product Specifications:

System Specification	Processor	Intel® Atom™ Processor N2600 1.6 GHz
	System Memory	2 GB DDR3 SDRAM(upgradable to 4 GB)
	Storage	32GB SSD(upgradable to 128 GB SSD)
	Operating System	Windows 7 (Optional Windows XP)
Display Specification	Size	7"
	Resolution	1024 * 600
	Brightness	500nit (typ.)
	Touch	Projected Capacitive Touch
Wireless Communication	WLAN	Support 802.11 2.4GHz a/b/g/n mode
	Bluetooth	2.1+EDR(Class 2)
	WWAN	Optional 3G(support HSPA/ UMTS / GPRS / WCDMA / GSM)
	GPS	Built-in Neo-6 GPS module
Mechanical and Environment	Dimensions (W x L x H)	212.4 x 132.8 x 25 mm (Standard)
	Weight	770g (Standard)
	Operation Temperature	-10°C to 50°C / 14°F to 122°F
	Operation Humidity	95% RH (non condensing)
	IP Proof	IP65
	Shock	MIL-STD-810F Method 516.5
	Vibration	MIL-STD-810F Method 514.5
	Drop	MIL-STD-810F Method 516.5, 4 ft, Free to concrete
I/O Connectors	External I/O	1 x USB 2.0 A Type 1 x Headset jack 1 x 2.5Ø 12V DC Power Input 1 x SIM Slot 1 x Micro SD Card
	Internal Audio Device	1.2W Speaker
Power Management	Optional Battery	1 x Second battery
	Power input	12V DC in
	Power consumption	11.5W (under full loading)
	Battery	7.4V 2270mAh Li-Poly rechargeable battery (default) 7.4V 5200mAh changeable second battery (optional)
	Battery Operating Time	Master Battery: 2Hrs Battery Life Second Battery: 5Hrs Battery Life
Field Service Features	Adapter	50W Adapter
	Camera	2.0M pixel Camera with LED auxiliary light(Rear Side , with Auto Focus)

Dimensions :



Accessories:	
Default	Quick Start Guide
	User Manual
	Hand Strap
	50W Adapter
Optional Items	5200mAh Second battery(Optional)



Rev.	Reasons	Revised Date
1.4	Spec Change	Nov.16.12
1.5	Change to 500nit	Dec.27.12
1.6	Spec Change	Feb.20.13