

Vehicle Docking for M101B

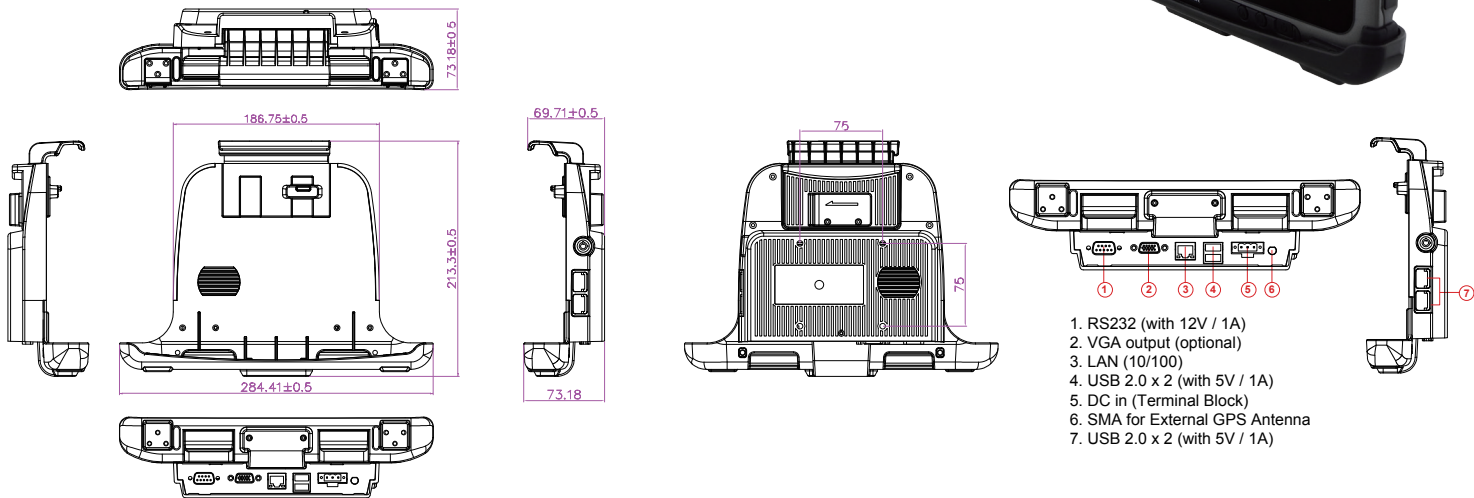
VD-M101B

Product Features:

- Hold the tablet stably on moving vehicle
- Anti-theft design with key lockable cradle
- Wide power voltage input (9~36V DC-in)
- IP52 design (Rain proof)
- VESA standard for various standard fixtures
- SMA connector for external GPS antenna
- Optional VGA output



Mechanical Drawing



1. RS232 (with 12V / 1A)
2. VGA output (optional)
3. LAN (10/100)
4. USB 2.0 x 2 (with 5V / 1A)
5. DC in (Terminal Block)
6. SMA for External GPS Antenna
7. USB 2.0 x 2 (with 5V / 1A)

One hand docking :

Step 1



1 Insert the Tablet PC into the docking

Step 2



2. Push down the hook, the lock will lock automatically

Step 3



One hand undocking :

Step 1



1. Slide the latch to open the hook

Step 2



2. Remove the Tablet from docking

Step 3



Specification

Dimension		284.41 x 213.3 x 73.18 mm
Power Input		9~36V DC In
I/O Support	Bottom	RS232 x 1, USB 2.0 x 2, LAN x 1 VGA x 1 (optional), SMA x 1 (for external GPS antenna) 3-Pin Terminal Block x 1 (DC IN)
	Side	USB 2.0 x 2
Mounting		75 x 75mm VESA Mount
Vibration		MIL Std. 810G, 5 ~ 500Hz, 2.24G

Rev.	Reasons	Revised Date
1.0	First release	Feb-18-2014