



## SSC2925 (Double Side LCD Display)

**Two 29.3" Resizing LCD, 1000 nits LED backlight, 1366x512 ultra wide aspect ratio 16:6**

SSC2925 is an innovative ultra-wide, sunlight readable, slim, LED backlight Double Side LCD display. It provides LCD panel with specific ratios for digital signage, public transportation, exhibition hall, department store, vending machine and industrial applications. Add content can be playback by optional smart TV dongle, with optional swivel base, SSC2925 can rotate 360° automatically.

### Key Features

- Resizing LCD
- Double Side LCD Display
- Ultra Wide Screen (16 : 6)
- Sunlight Readable
- LED Backlight
- High Brightness 1000 nits
- High Uniformity (90%)
- Wide Dimming
- Life Expectancy (70,000hrs)
- Portrait / Landscape Mode (Optional)
- Slim Bezel
- Thickness: 37mm

### Applications

Digital Signage, Vending Machine, Department Store, Transportation



## Specifications

V1

<b>Model No.</b>	<b>SSC2925</b>
<b>Description</b>	Two 29.3" Resizing LCD, 1000 nits LED backlight, 1366x512
<b>Display Area</b>	697.68 x 261.5 mm
<b>Brightness</b>	1,000 cd/m <sup>2</sup>
<b>Resolution</b>	1366 x 512
<b>Aspect Ratio</b>	16 : 6
<b>Contrast Ratio</b>	2500:1
<b>Pixel Pitch (mm)</b>	0.51075 x 0.51075
<b>Viewing Angle</b>	176°(H), 176°(V)
<b>Display Colors</b>	16.7M
<b>Response Time (Typical)</b>	6.5 ms
<b>Sync</b>	LVDS
<b>Power Consumption</b>	108W
<b>Dimensions (mm)</b>	1254.9 x 368 x 37
<b>Weight (Net)</b>	17 Kg
<b>LED Driving Board</b>	<b>LID29A</b>
<b>Control Board (Optional)</b>	<b>AD2662GDHMA</b>
<input type="checkbox"/> AD2662GDHMA	VGA + DVI + HDMI + Audio
<b>F / R Control Button</b>	4 Key
<input type="checkbox"/> 4 Key	Power Switch, Menu, Select (+,-),
<b>OSD Menu</b>	Brightness, Contrast, H/V Position, Color, Phase, Clock...
<b>Optional</b>	<input type="checkbox"/> swivel base (Power Consumption: 11W)

*Specifications are subject to change without notice.*

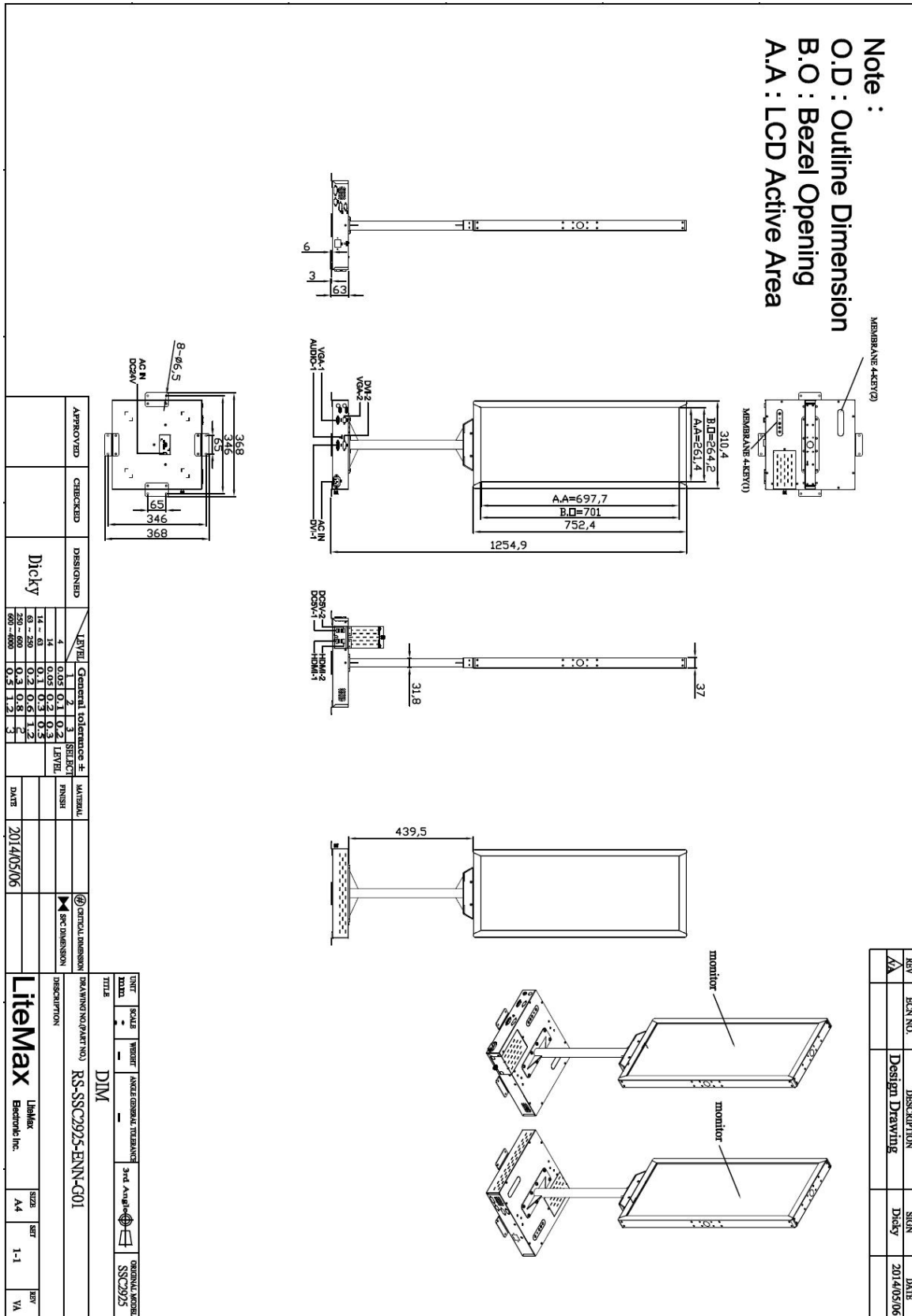
*All brands or product names are trademarks or registered trademarks of their respective companies.*

**SSC** = Panel + LED Driving Board + Control Board



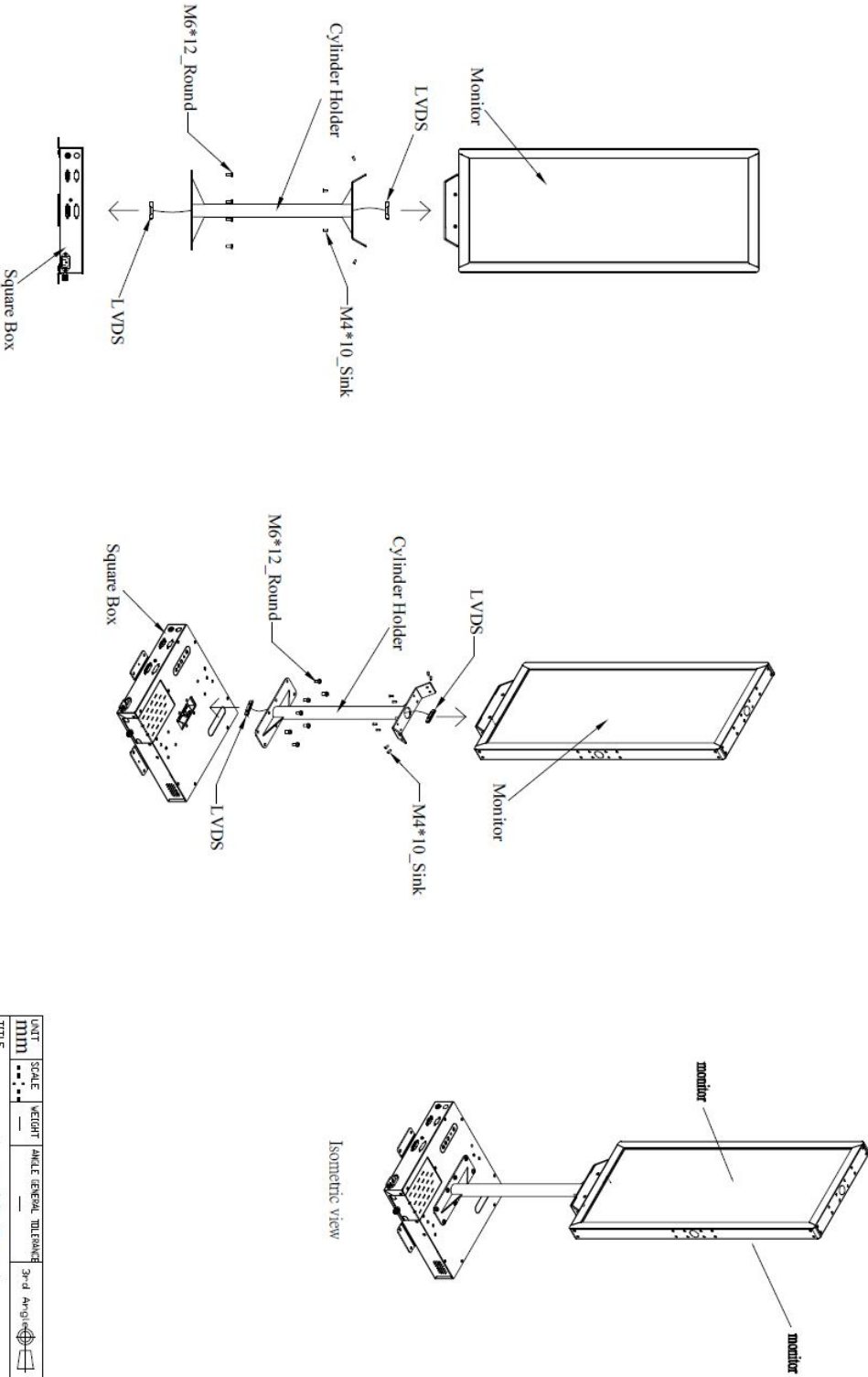
## Mechanical Drawing

### Outline Dimensions





**Note :**  
**M4\*10\_Sink (8 pcs)**  
**M6\*12\_Round (8 pcs)**



REV	EDN NO.	DESCRIPTION	SIGN	DATE
AN		Design Drawing	Dicky	2014/05/23

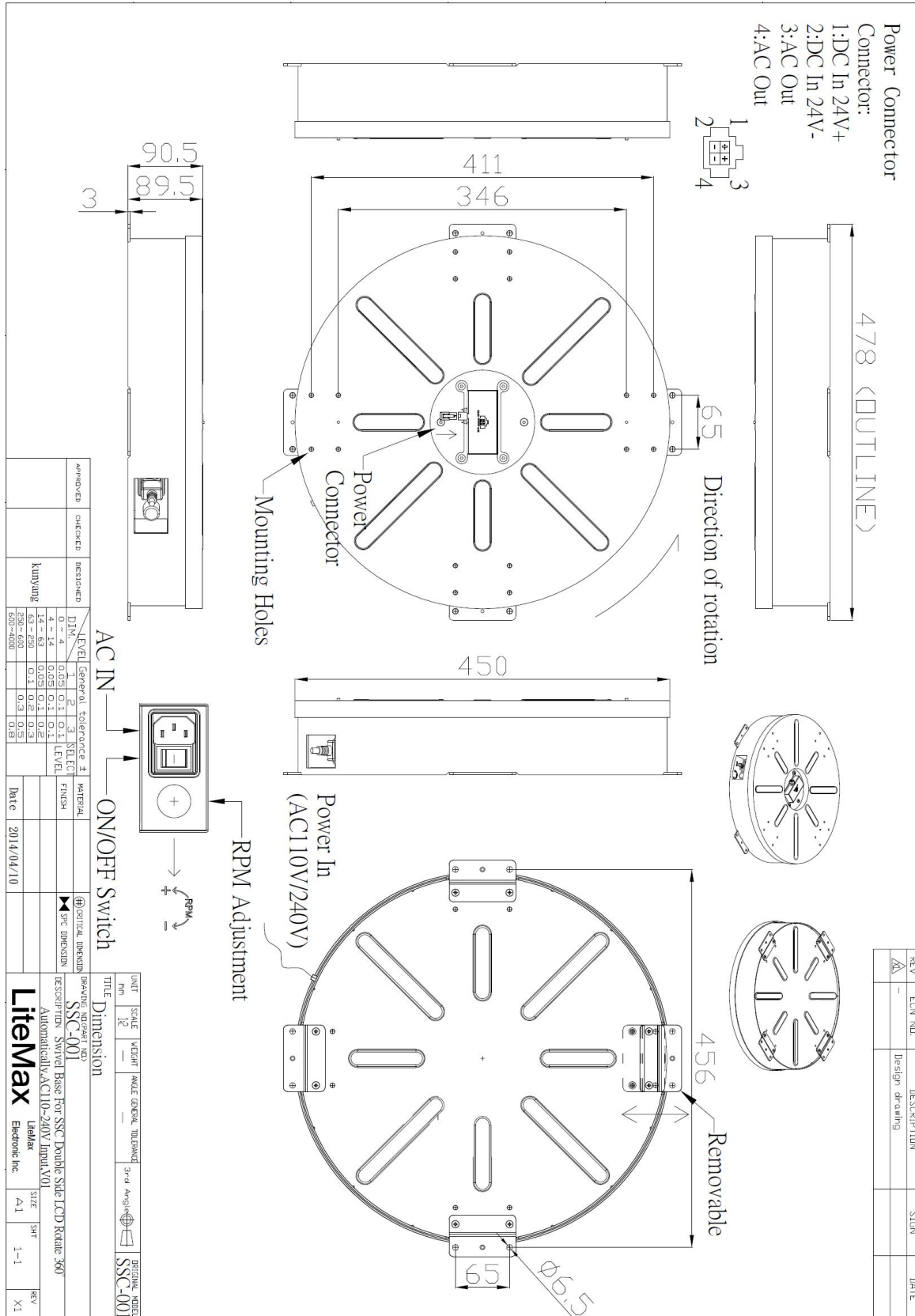
APPROVED	CHECKED	DESIGNED	LEVEL	General tolerance	±	SELECT	MATERIAL	CRITICAL DIMENSION	DATE
		Dicky	DIM.	1	2	3	FINISH	☑ SPEC DIMENSION	2014/05/23
			0 - 4	0.05	0.1	0.1			
			4 - 14	0.05	0.1	0.2			
			14 - 63	0.1	0.2	0.3			
			63 - 250	0.1	0.2	0.3			
			250 - 600	0.1	0.3	0.5			
			600 - 4000	0.1	0.5	0.8			

UNIT	SCALE	HEIGHT	ANGLE	GENERAL	TOLERANCE	3rd ANGLE	ORIGINAL MODEL
mm	1:1						SSC2925
TITLE							
DRAWING NO/PART NO							
DESCRIPTION							
SSC2925-ENN-G01							
Assembly Drawing							
<b>LiteMax</b>							
LiteMax Electronic Inc.							
SIZE	SIZE	SHEET		REV			
A4	A4	1-1		V1			



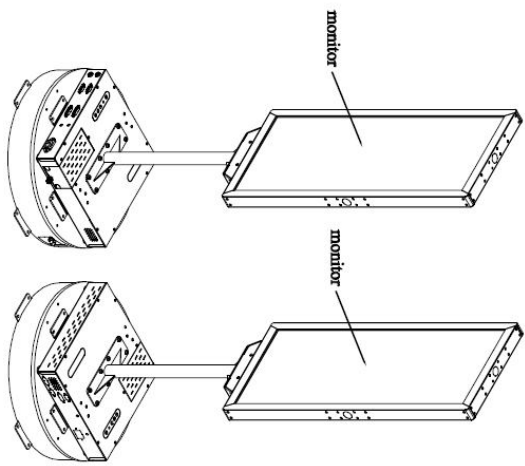
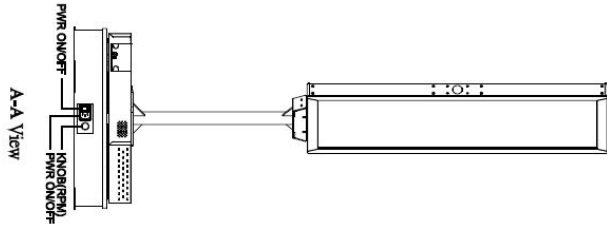
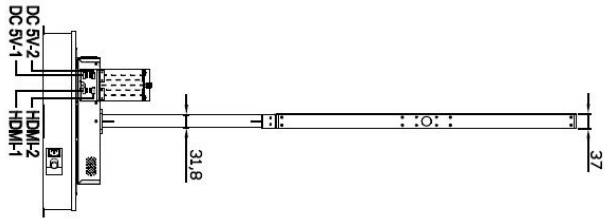
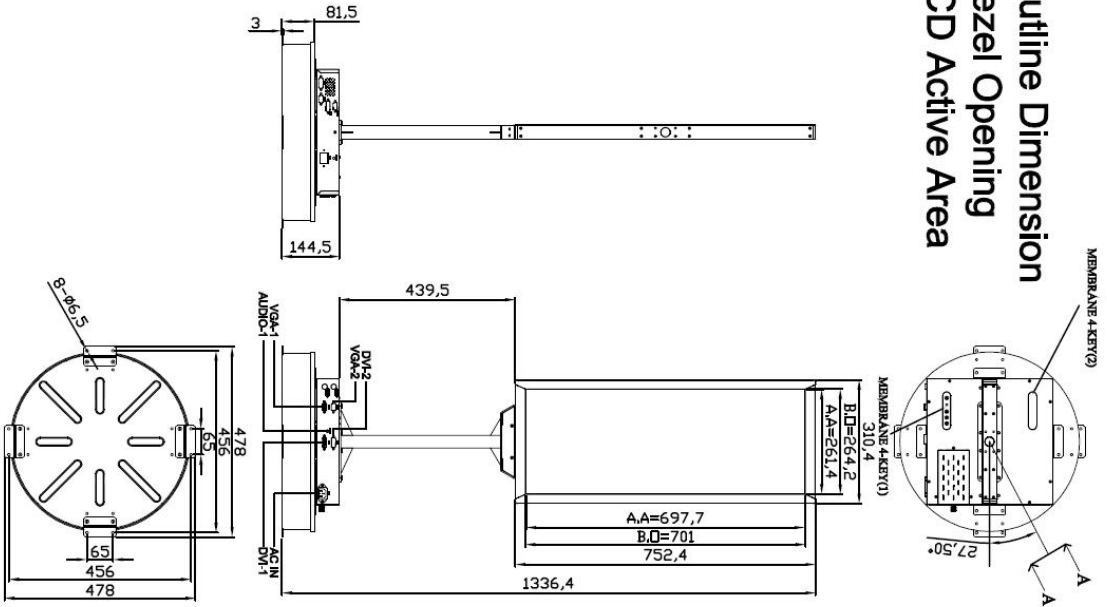
Outline Dimensions

Optional: SSC-001 (Swivel base for SSC Double Side LCD rotate 360° automatically)





**Note :**  
**O.D : Outline Dimension**  
**B.O : Bezel Opening**  
**A.A : LCD Active Area**



REV	ECN NO.	DESCRIPTION	SIGN	DATE
1		Design Drawing	Dicky	2014/05/06

APPROVED	CHECKED	DISTON/BD	LEVEL	General tolerance ±	MATERIAL	DATE
		Dicky	1	0.05		2014/05/06
			2	0.1		
			3	0.2		
			4	0.3		
			5	0.5		
			6	0.6		
			7	0.8		
			8	1.0		
			9	1.2		
			10	1.5		

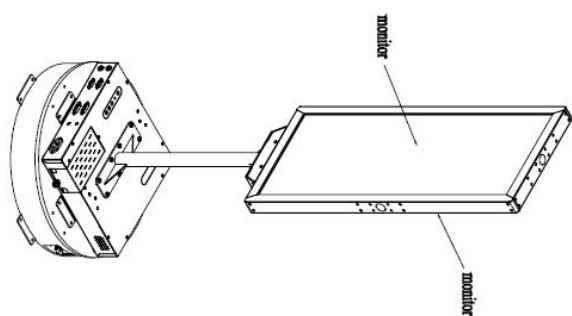
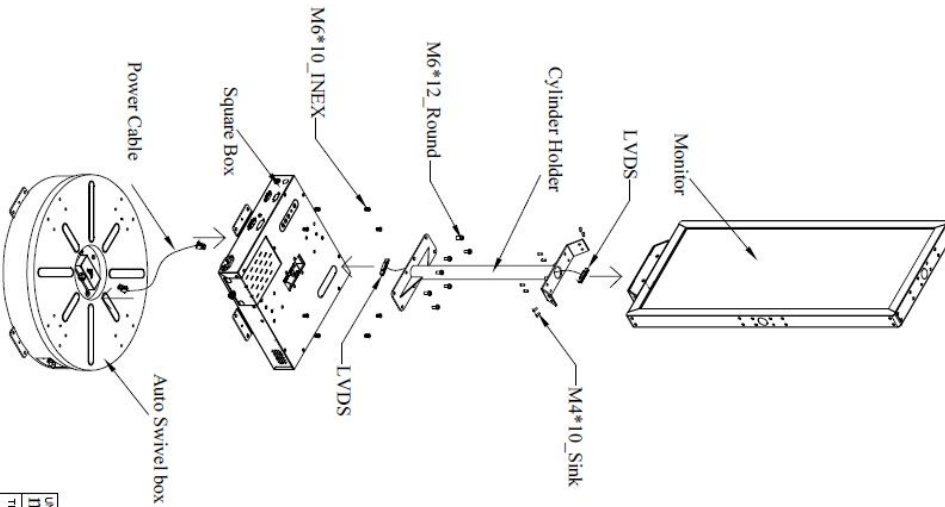
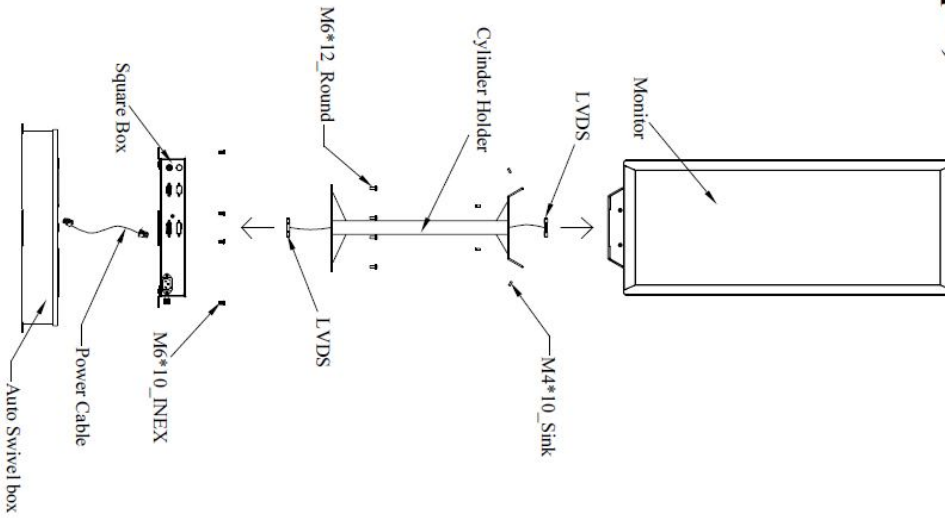
UNIT	SCALE	PROF	ANSEL GENERAL TOLERANCE	3rd Angle	ORIGINAL AUTHOR
DIM					SSC2925

PRAYING NO./PART NO.	DESCRIPTION	SIZE	REV
RS-SSC2925-ENN-C01	with rotation platform	A4	1-1

**LiteMax** Electronic Inc. A4 1-1 VA



**Note :**  
**M4\*10\_Sink (8 pcs)**  
**M6\*12\_Round (8 pcs)**  
**M6\*10\_INEX (8 pcs)**



Isometric view

REV	EDN NO.	DESCRIPTION	SIGN	DATE
01		Design Drawing	Dicky	2014/05/23

APPROVED	CHECKED	DESIGNED	LEVEL	General tolerance	±	SELECT	MATERIAL	CRITICAL DIMENSION
		Dicky	DIM.	1	2	3	FINISH	▶ SPEC DIMENSION
			0 - 4	0.05	0.1	0.1		
			4 - 14	0.05	0.1	0.2		
			14 - 63	0.05	0.1	0.3		
			63 - 250	0.1	0.2	0.5		
			250 - 630	0.1	0.3	0.8		
			630 - 4000	0.1	0.5	1.2		
		DATE	2014/05/23					

UNIT	SCALE	HEIGHT	ANGLE	GENERAL TOLERANCE	3rd ANGLE	ORIGINAL MODEL
mm	1:1					SSC2925

TITLE Assembly Drawing with Auto Swivel box  
 DRAWING NO/PART NO/ SSC2925-ENN-G01  
 DESCRIPTION

<b>LiteMax</b>	LiteMax Electronic Inc.	SIZE	A4	SMT	1-1	REV	V1
----------------	-------------------------	------	----	-----	-----	-----	----



### Ordering Information

Model Name	Description
SSC2925-ENN-G01	29.3"*2,1000nits,1366*512,LID29A,AD2662GDHMA,speaker/2W*2,OSD, AC100~240V input,V1

### Optional Accessories

Part Number	Description
SSC-001	Swivel base for SSC Double Side LCD rotate 360° automatically, AC100~240V input,V1
810618301010 (Optional)	CABLE.POWER.AC.1830mm.(US Type).3PIN PLUG TO SOCKET.SVT(SPT-2 )18AWG 3C BLACK.P.
810618301090 (Optional)	CABLE,POWER,AC,1830mm.(EU Type) 3PIN PLUG TO.SOCKET,H05VV-F 3G.0.75MMSQ BLACK,P
810618301050 (Optional)	CABLE,POWER,AC,1830mm.UK(FUSE) 3PIN PLUG TO.SOCKET,H05VV-F 3C(3G) 0.75MMSQ BLACK,P
810618301170 (Optional)	CABLE.POWER,AC,1830mm. (AU Type) 3PIN PLUG TO 2P SOCKET.LTSA 0.75MMSQ BLACK,P
810618301030 (Optional)	CABLE.POWER.AC.1830mm.(JP Type).2PIN PLUG Y TERMINAL TO. SOCKET.VCTF 3C 0.75MMSQ BLACK,P