



SSC3825 (Double Side LCD Display)

Two 38" Resizing LCD, 1000 nits LED backlight, 1920x502 ultra wide aspect ratio 16:4.2

SSC3825 is an innovative ultra-wide, sunlight readable, slim, LED backlight Double Side LCD display. It provides LCD panel with specific ratios for digital signage, public transportation, exhibition hall, department store, vending machine and industrial applications. Add content can be playback by optional smart TV dongle, with optional swivel base, SSC3825 can rotate 360° automatically.

Key Features

- Resizing LCD
- Double Side LCD Display
- Ultra Wide Screen (16 : 4.2)
- Sunlight Readable
- LED Backlight
- High Brightness 1000 nits
- High Uniformity (90%)
- Wide Dimming
- Life Expectancy (70,000hrs)
- Portrait / Landscape Mode (Optional)
- Slim Bezel
- Thickness: 39.4mm

Applications

Digital Signage, Vending Machine, Department Store, Transportation



Specifications

V1

Model No.	SSC3825
Description	Two 38" Resizing LCD, 1000 nits LED backlight, 1366x502
Display Area	930.2 x 243.2 mm
Brightness	1,000 cd/m ²
Resolution	1920 x 502
Aspect Ratio	16 : 4.2
Contrast Ratio	7000:1
Pixel Pitch (mm)	0.4845 x 0.4845
Viewing Angle	176°(H), 176°(V)
Display Colors	16.7M
Response Time (Typical)	6.5 ms
Sync	LVDS
Power Consumption	121W
Dimensions (mm)	1482.39 x 368 x 39.4
Weight (Net)	21 Kg
LED Driving Board	LID38A
Control Board (Optional)	AD2662GDHMA
<input type="checkbox"/> AD2662GDHMA	VGA + DVI + HDMI + Audio
F / R Control Button	4 Key
<input type="checkbox"/> 4 Key	Power Switch, Menu, Select (+,-),
OSD Menu	Brightness, Contrast, H/V Position, Color, Phase, Clock...
Optional	<input type="checkbox"/> swivel base (Power Consumption: 11W)

Specifications are subject to change without notice.

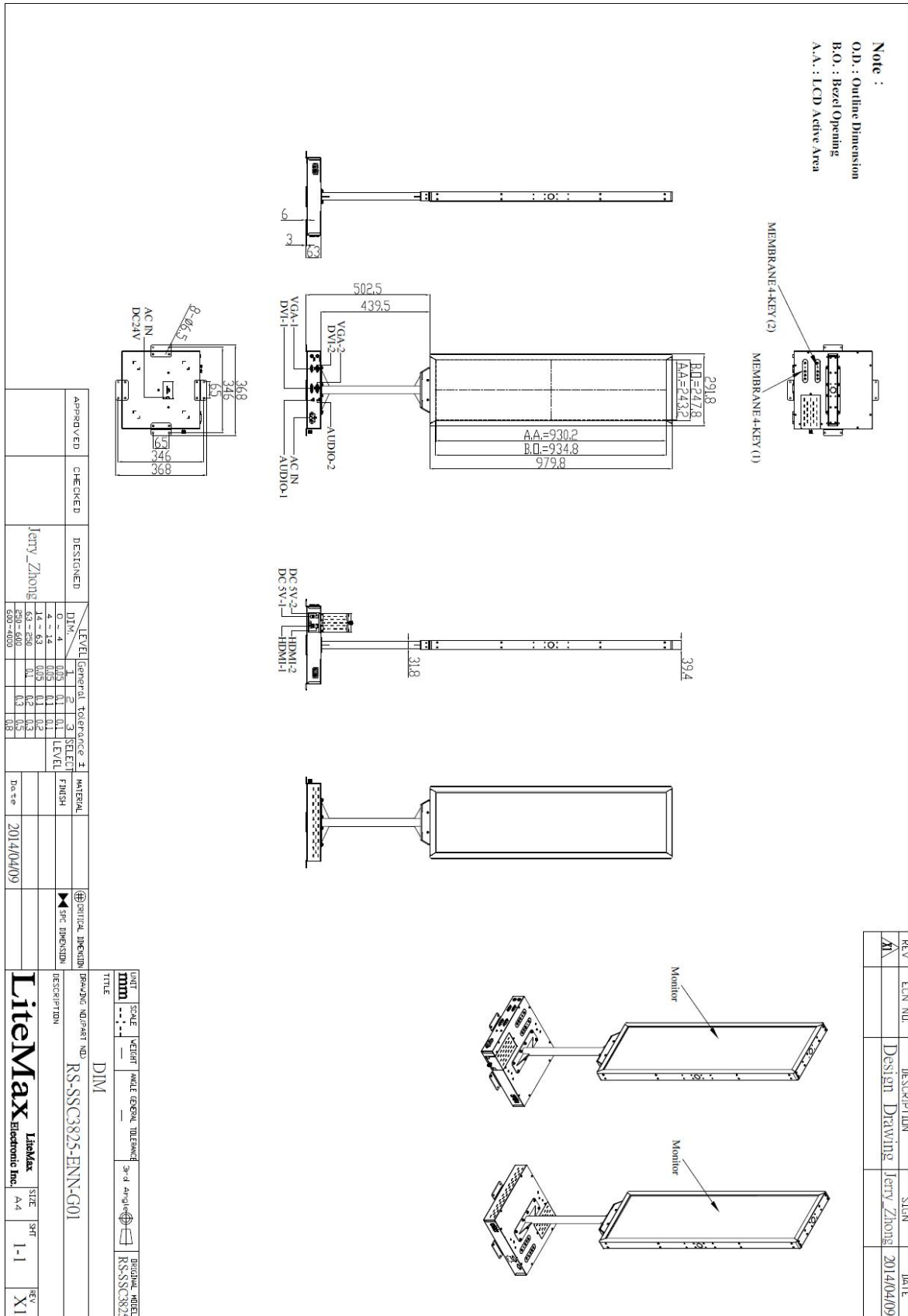
All brands or product names are trademarks or registered trademarks of their respective companies.

SSC = Panel + LED Driving Board + Control Board



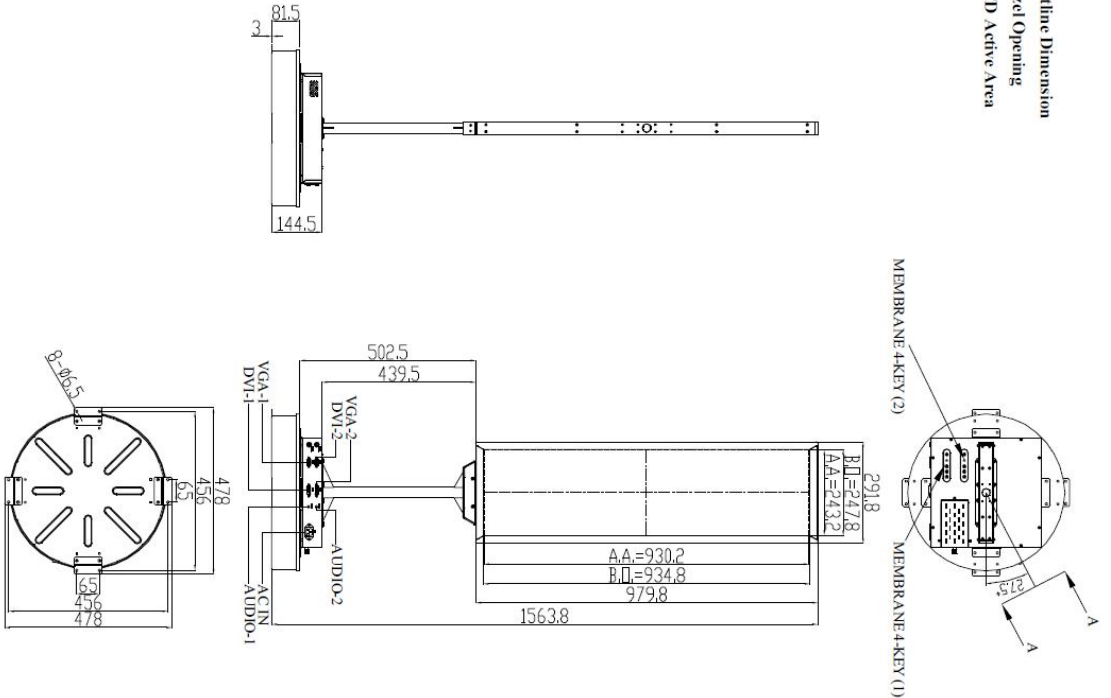
Mechanical Drawing

Outline Dimensions

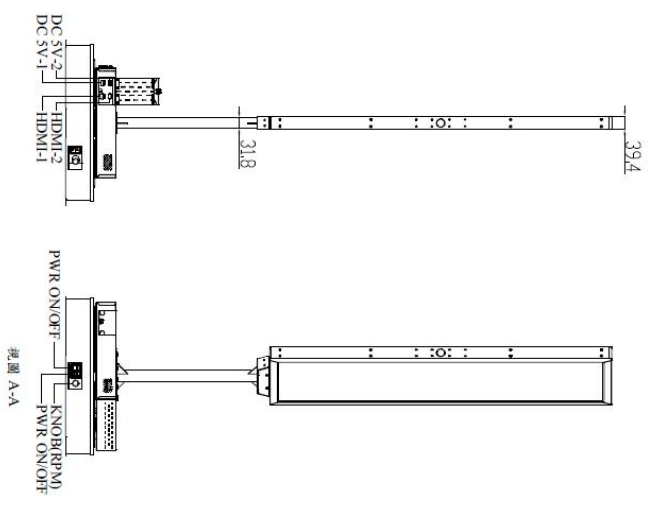
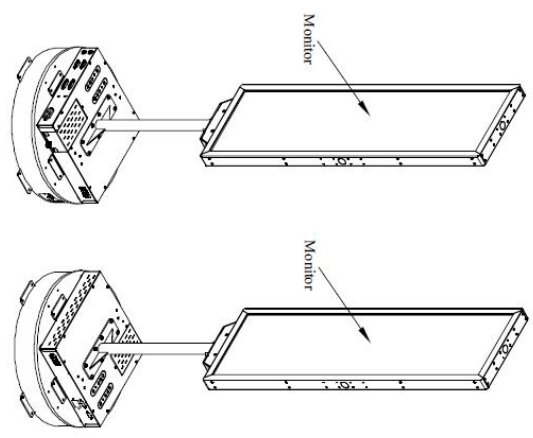




Note :
 O.D. : Outline Dimension
 B.O. : Bezel Opening
 A.A. : LCD Active Area



REV	ECN NO.	DESCRIPTION	SIGN	DATE
A1		Design Drawing	Jerry Zhong	2014/04/09



APPROVED	CHECKED	DESIGNED	LEVEL	GENERAL TOLERANCE	±	SELECT LEVEL	MATERIAL	CENTRAL DIMENSION	DATE
		Jerry Zhong	0 - 4	0.05	0.1	0.1		spec DIMENSION	2014/04/09
			4 - 14	0.05	0.1	0.1			
			14 - 63	0.05	0.1	0.2			
			63 - 250	0.1	0.2	0.3			
			250 - 630	0.1	0.3	0.5			
			630 - 4000	0.3	0.8	1.0			

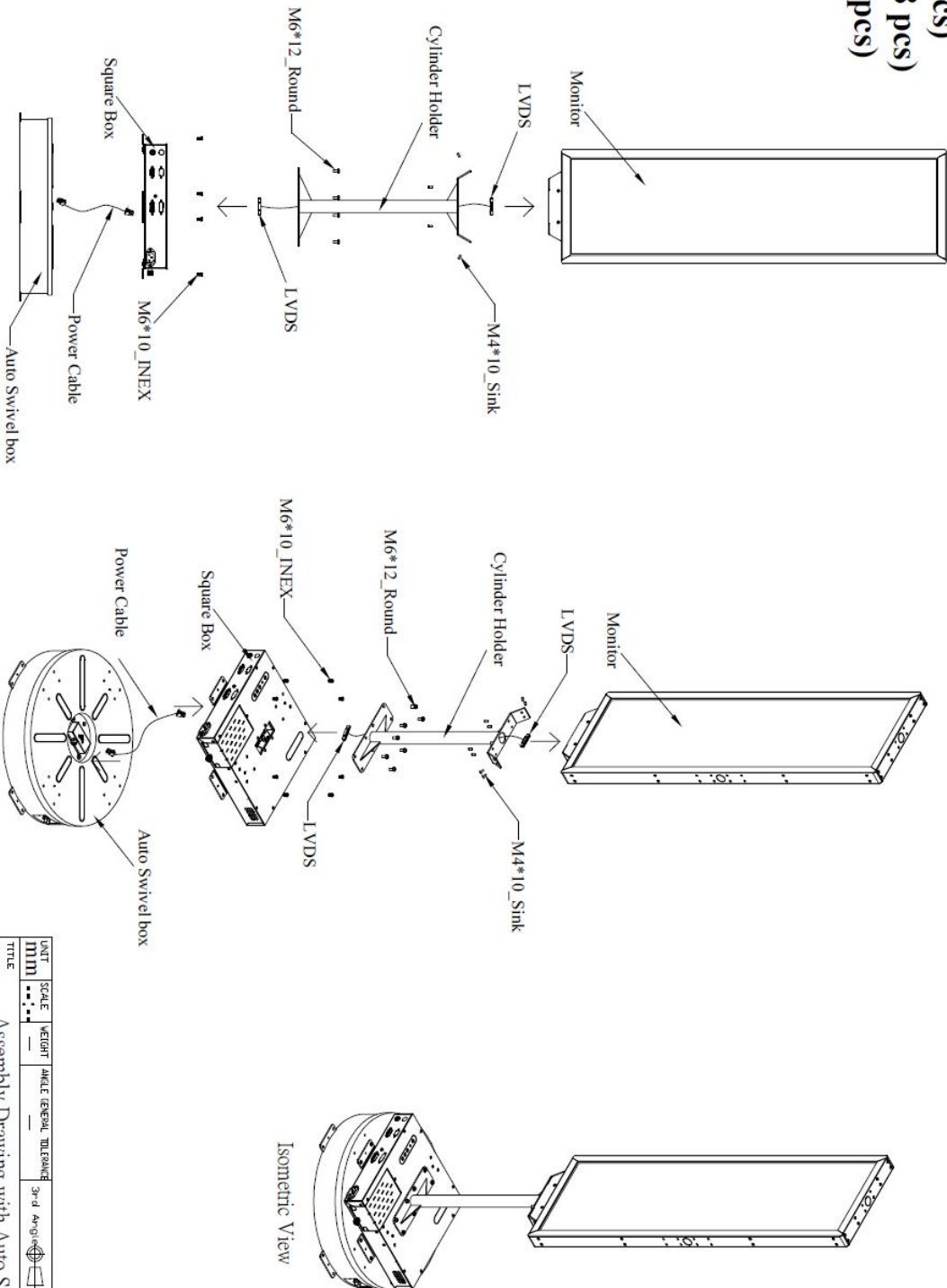
UNIT	SCALE	HEIGHT	ANGLE	GENERAL TOLERANCE	3rd Angle	ORIGINAL MODEL
mm	1:1					RS-SSC3825

TITLE: DIM 含轉盤
 DRAWING NO/PART NO: RS-SSC3825-ENN-G01
 DESCRIPTION:

LiteMax Electronic Inc.
 SIZE: A4
 SFT: 1-1
 REV: X1



Note :
M4*10_Sink (8 pcs)
M6*12_Round (8 pcs)
M6*10_INEX (8 pcs)



REV	ECN NO	DESCRIPTION	SIGN	DATE
01		Design Drawing	Jerry_Zhong	2014/06/03

APPROVED	CHECKED	DESIGNED	LEVEL	General tolerance	±	SELECT	MATERIAL	FINISH	SEE DIMENSION
		Jerry_Zhong	1	0.05	0.1	0.1			
			2	0.05	0.1	0.1			
			3	0.05	0.1	0.1			
			4-14	0.05	0.1	0.1			
			14-63	0.05	0.1	0.2			
			63-250	0.1	0.2	0.3			
			250-630	0.1	0.3	0.5			
			630-1600	0.1	0.5	0.8			
			DATE	2014/06/03					

UNIT	SCALE	WEIGHT	ANGLE	GENERAL TOLERANCE	3-D ANGLE	ORIGINAL MODEL
MM	1:1					SSC3825

DRAWING NO: PART NO: SSC3825-ENN-G01
 DESCRIPTION: 38" *2100mm, 190°*92, LD38A, ADX66, CDHNA, A, spider*2, OSD, Vertical, AC 100-240V, Intel, V1
LiteMax Electronic Inc. SIZE: A4 SH: 1-1 REV: V1



Ordering Information

Model Name	Description
SSC3825-ENN-G01	38"*2,1000nits,1920*502,LID38A,AD2662GDHMA,speaker/2W*2,OSD, AC100~240V input,V1

Optional Accessories

Part Number	Description
SSC-001	Swivel base for SSC Double Side LCD rotate 360° automatically, AC100~240V input,V1
810618301010 (Optional)	CABLE.POWER.AC.1830mm.(US Type).3PIN PLUG TO SOCKET.SVT(SPT-2)18AWG 3C BLACK.P.
810618301090 (Optional)	CABLE,POWER,AC,1830mm.(EU Type) 3PIN PLUG TO.SOCKET,H05VV-F 3G.0.75MMSQ BLACK,P
810618301050 (Optional)	CABLE,POWER,AC,1830mm.UK(FUSE) 3PIN PLUG TO.SOCKET,H05VV-F 3C(3G) 0.75MMSQ BLACK,P
810618301170 (Optional)	CABLE.POWER,AC,1830mm. (AU Type) 3PIN PLUG TO 2P SOCKET.LTSA 0.75MMSQ BLACK,P
810618301030 (Optional)	CABLE.POWER.AC.1830mm.(JP Type).2PIN PLUG Y TERMINAL TO. SOCKET.VCTF 3C 0.75MMSQ BLACK,P