

In-line Refractometer

CM-BASE

NEW

Actual Size



Simple specification

Easy to use

Compact size

Inline model

Easy operation with only one cable for power supply and data output.

Display Side



Optimized for automation of real-time concentration monitoring.



Hose connector
12mm ϕ

Fitting Options

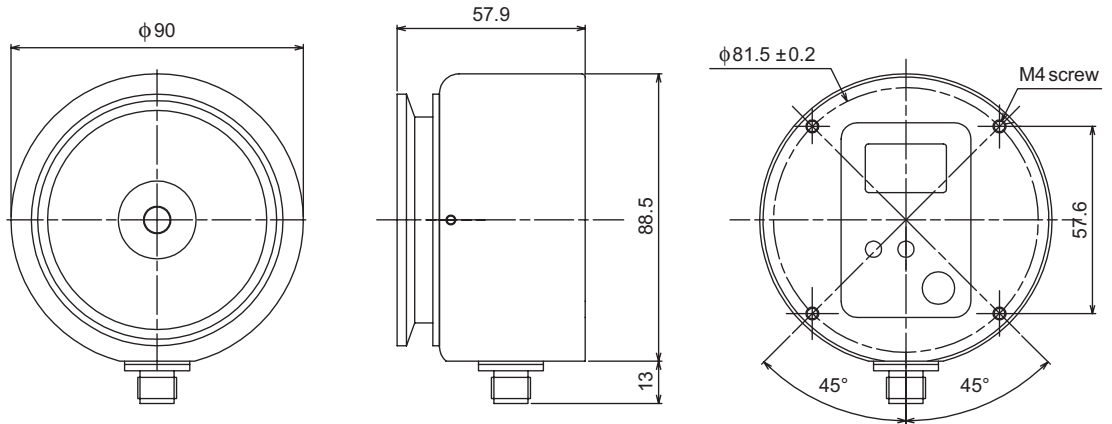


Compression Fitting
10mm ϕ

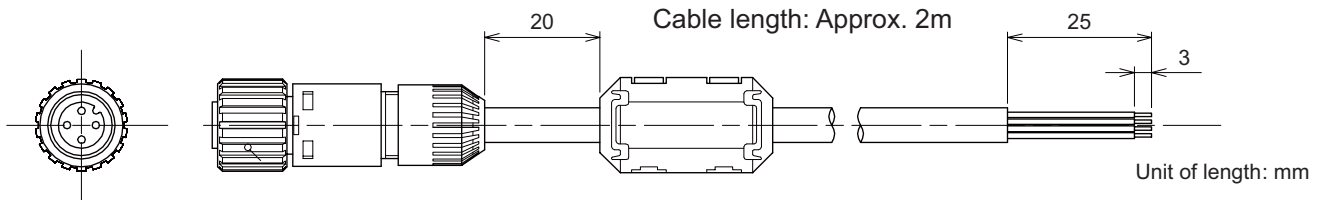
In-line Refractometer **CM-BASE**

Dimensions (Main unit only)

Unit of length: mm



The CM-BASE (A) transmits data via 4-20mA signals.
The CM-BASE (D) transmits data to a computer via RS-232C.



CM-BASE(A)

The provided cable connects to the base of the CM-BASE (A), and it provides power (DC24V) to the instrument and transmits Brix data via DC 4-20mA. Brix values ranging from -2.0 to 33.5% are communicated as DC ranging from 4 to 20mA respectively.

The cable can be ordered to a custom length of up to 100m.

Cord color	Signal	Cord color	Signal
Red ●	DC24V	Black ●	GND(DC24V)
Red / white ●○	DC4 to 20mA	black / white ●○	GND(DC4 to 20mA)

CM-BASE(D)

The provided cable connects to the base of the CM-BASE (D), and it provides power (DC24V) to the instrument and transmits Brix and temperature data via RS-232C.

The cable can be ordered to a custom length of up to 15m.

Cord color	Signal	Cord color	Signal
Red ●	DC24V	Black ●	GND(DC24V)
Red / white ●○	RS-232C	black / white ●○	GND(RS-232C)

Communications parameters [CM-BASE(D)]

Baud rate : 2400bps Parity : Even
Data length: 7bit Stop bit : 1bit

Transmit data [CM-BASE(D)]

aa.a,bb.b (Brix , Temperature)

Brix 19.5%
Temperature 20.3°C } 19.5, 20.3
- Example -

	CM-BASE(A) Cat.No.3593	CM-BASE(D) Cat.No.3594
Measurement Range	Brix 0.0 to 33.0%	
Resolution	Brix 0.1%	
Measurement Accuracy	Brix ±0.5% Temperature ±2.0°C	
Measurement Temperature	10 to 50°C (ATC = Automatic Temperature Compensation)	
Ambient Temperature	10 to 40°C	
Output Method	DC4 to 20mA	RS-232C
International Protection Class	IP64 Water resistant	
Dimensions & Weight	90×90×59mm, 860g (Main unit only)	

All ATAGO refractometers are designed and manufactured in Japan.

ATAGO CO.,LTD.



HACCP GMP GLP

V.03 1305K Printed in Japan