

Datasheet

2.5" SATA SSD

3SR-P series

- Compliant with MIL-STD-810-F/G
- Data security (QEraser/ SEraser/ Destroy/ Write Protect)
- High random R/W performance
- iSMART disk health monitoring
- Intelligent error recovery system
- iData Guard
- iCell technology for data protection
- Conformal coating (optional)



Introduction

Innodisk 2.5" SATA SSD 3SR-P is a SATA III 6Gb/s Flash based disk, which delivers excellent performance and reliability. Especially, it comes with several data security functions, including QEraser/ SEraser/ Destroy and also Write Protect. All the security functions can be triggered both by hardware and software approaches. 2.5" SATA SSD 3SR-P is compliant with MIL-STD-810F/G standards. The SSD is equipped ruggedized hardware design and thus it can perform well in the harsh environment. 2.5" SATA SSD 3SR-P is developed with Innodisk owned technical knowhow to ensure the data integrity and highest levels of reliability.

innodisk

www.innodisk.com

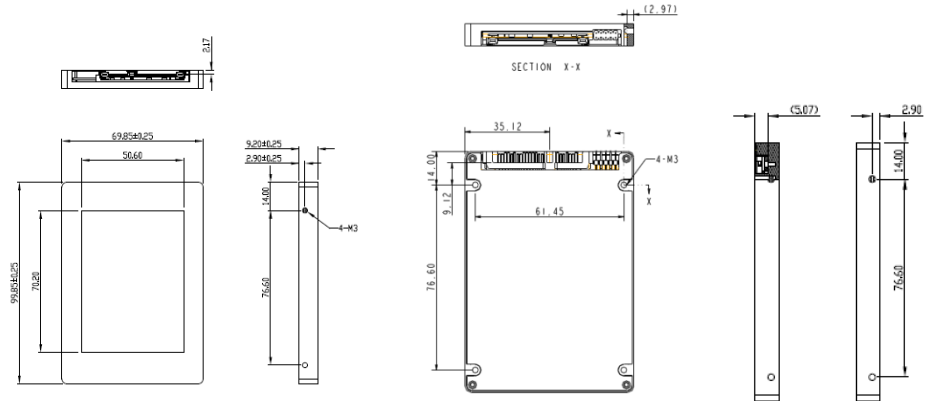
2.5" SATA SSD

3SR-P series

Drawing

Contact us for more information about the 2.5" SATA SSD 3SR-P

Innodisk is a service-driven provider of industrial embedded flash and DRAM storage products and technologies, with a focus on the industrial/embedded, aerospace and defense, and cloud computing industries.



Specifications

Interface	SATA III
Flash Type	SLC
Capacity	8GB~256GB
Max. Channels	4
Sequential R/W (MB/sec, max.)	490 / 340
Max. Power Consumption	3.25 W (5V x 650 mA)
Thermal Sensor	√
External DRAM Buffer	√
H/W Write Protect	√
Pin7 Power	-
ATA Security	√
S.M.A.R.T.	√
Dimension (WxLxH)	69.8 X 99.8 X 9.2 mm
Environment	Vibration: 20G @7~2000Hz Shock: 1500G @ 0.5ms Storage Temperature: -55°C ~ +95°C MTBF: 3 million hours

Ordering Information

20151223

Operation Temp.	8GB	16GB	32GB	64GB	128GB	256GB
Standard Grade (0°C ~ +70°C)	DRS25-08GD67SCCQB	DRS25-16GD67SCCQB	DRS25-32GD67SCCQB	DRS25-64GD67SCCQB	DRS25-A28D67SCCQB	DRS25-B56D67SCCQB
Industrial Grade (-40°C ~ +85°C)	DRS25-08GD67SWCQB	DRS25-16GD67SWCQB	DRS25-32GD67SWCQB	DRS25-64GD67SWCQB	DRS25-A28D67SWCQB	DRS25-B56D67SWCQB

innodisk

www.innodisk.com

(ES) Equipements Scientifiques SA - Département Modules & Systèmes Informatiques - 127 rue de Buzenval BP 26 - 92380 Garches
Tél. 01 47 95 99 80 - Fax. 01 47 01 16 22 - e-mail: msi@es-france.com - Site Web: www.es-france.com