

Datasheet

# SATADOM-SV 3ME3 series

- Best boot drive solution for server and embedded system
- SATA 6Gb/s interface
- High IOPS to reduce boot up timing
- Built-in Pin 7 power supply
- DRAM-less, 100% data integrity
- Innovative Firmware Algorithm
- Anti-vibration mechanical design
- Built in iData Guard



## Introduction

Innodisk SATADOM-SV 3ME3 is designed as the standard SATA 7 pin connector with SATA interface, and supports SATA III standard (6.0Gb/s) with excellent performance. Innodisk SATADOM-SV 3ME3 absolutely replaces the traditional hard disk and makes personal computer, in any field, smaller and easier.

Innodisk SATADOM-SV 3ME3 effectively reduces the booting time of operation system and the power consumption is less than hard disk drive (HDD), and complies with ATA protocol, no additional drives are required, and can be configured as a boot device or data storage device.

**innodisk**

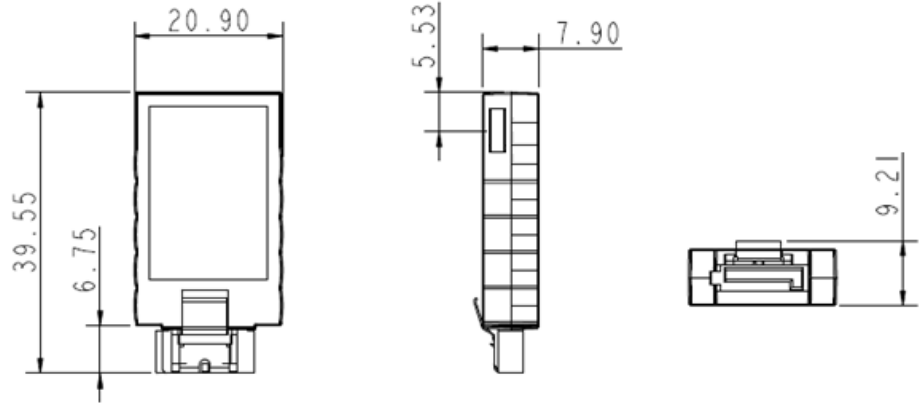
[www.innodisk.com](http://www.innodisk.com)

# SATADOM-SV 3ME3 series

Contact us for more information  
about the SATADOM-SV 3ME3.

Innodisk is a service-driven provider of industrial embedded flash storage products and technologies, with a focus on the cloud computing, industrial/embedded, and aerospace and defense industries.

## Diagram



Dimension tolerance:  $\pm 0.2\text{mm}$

## Specifications

Interface	SATA III
Flash Type	MLC
Capacity	8GB~128GB
Max. Channels	2
Sequential R/W (MB/sec, max.)	210 / 80
Max. Power Consumption	1.8W (5V x 370mA )
Thermal Sensor	WT only
External DRAM buffer	-
H/W Write Protect	-
ATA Security	√
S.M.A.R.T.	√
Dimension (WxLxH)	20.9 X 39.5 X 7.9 mm
Environment	Vibration: 20G @7~2000Hz Shock: 1500G @ 0.5ms Storage Temperature: -55°C ~ +95°C MTBF: 3 million hours

### Headquarters (Taiwan)

5F., No. 237, Sec. 1, Datong Rd.,  
Xizhi Dist., New Taipei City,  
Taiwan (R.O.C.)  
Tel: +886-2-7703-3000  
Email: sales@innodisk.com

### Branch Offices:

USA  
[usasales@innodisk.com](mailto:usasales@innodisk.com)  
+1-510-770-9421  
Europe  
[eusales@innodisk.com](mailto:eusales@innodisk.com)  
+31-(0)40-282-1818  
Japan  
[jpsales@innodisk.com](mailto:jpsales@innodisk.com)  
+81-3-6667-0161  
China  
[sales\\_cn@innodisk.com](mailto:sales_cn@innodisk.com)  
+86-755-21673689  
[www.innodisk.com](http://www.innodisk.com)

© 2015 Innodisk Corporation.  
All right reserved. Specifications  
are subject to change without  
prior notice.

## Ordering Information

20151229

Operation Temp.	8GB	16GB	32GB	64GB	128GB
Standard Grade (0°C ~ +70°C)	DESSV-08GD09*C1SC(F)	DESSV-16GD09*C1SC(F)	DESSV-32GD09*C1SC(F)	DESSV-64GD09*CADC(F)	DESSV-A28D09*CADC(F)
Industrial Grade (-40°C ~ +85°C)	DESSV-08GD09*W1SC(F)	DESSV-16GD09*W1SC(F)	DESSV-32GD09*W1SC(F)	DESSV-64GD09*WADC(F)	DESSV-A28D09*WADC(F)

\*S: Toshiba A19 nm MLC/ B: Toshiba 15nm MLC  
PN end with F is SATADOM Pin 7 with power supply version, which doesn't provide power cable.

**innodisk**

[www.innodisk.com](http://www.innodisk.com)

(ES) Equipements Scientifiques SA - Département Modules & Systèmes Informatiques - 127 rue de Buzenval BP 26 - 92380 Garches  
Tél. 01 47 95 99 80 - Fax. 01 47 01 16 22 - e-mail: [msi@es-france.com](mailto:msi@es-france.com) - Site Web: [www.es-france.com](http://www.es-france.com)