

# InnoRobust II 2.5" SATA SSD



## Features

- Compliant with MIL-STD-810-F/G
- Data Security (QEraser/ SEraser/ Destroy/ Write Protect)
- Excellent data transfer rate
- Conformal coating (Optional)
- iCell technology for data protection

R:170MB/s  
W:140MB/s

SATA II  
3Gb/s

ECC &  
Wear leveling

Thermal  
sensor

S.M.A.R.T

MIL-STD-  
810F/G

Conformal  
Coating

Data  
Security

iCell  
Technology

## Specifications

Connector Type	Standard 7+15 pin SATA connector
Flash Type	SLC (Single Level Cell) MLC (Multi Level Cell)
Density	SLC: 8GB,16GB, 32GB, 64GB, 128GB, 256GB MLC: 32GB, 64GB, 128GB, 256GB, 512GB
Interface	SATA II 3.0Gb
Sustained R/W Performance	SLC Read : 170 MB/sec (max.) Write : 140 MB/sec (max.) MLC Read : 200 MB/sec (max.) Write : 120 MB/sec (max.)

## Environmental

DC Input	+5V DC $\pm$ 5%
Power consumption (Max.)	Read: 670 mA Write: 750 mA Idle: 480 mA
Operating Temperature	0°C~+70°C (Standard Grade) -40°C~+85°C (Industrial Grade)
Storage Temperature	-55°C~+95°C
Humidity	Relative Humidity: 10-95%, non-condensing
Flash Endurance	MLC: 3000 program/erase cycles SLC: 100,000 program/erase cycles
MTBF	> 3,000,000 hours
Certification	CE, FCC, RoHS
Warranty	5 years

## Mechanicals

Dimension (L x W x H)	100.10x69.85x9.30 mm
Weight	110g $\pm$ 5g
Vibration	20G, 7 Hz to 2K Hz, , 3 axes
Shock	1500G, Duration: 0.5ms, 3 axes

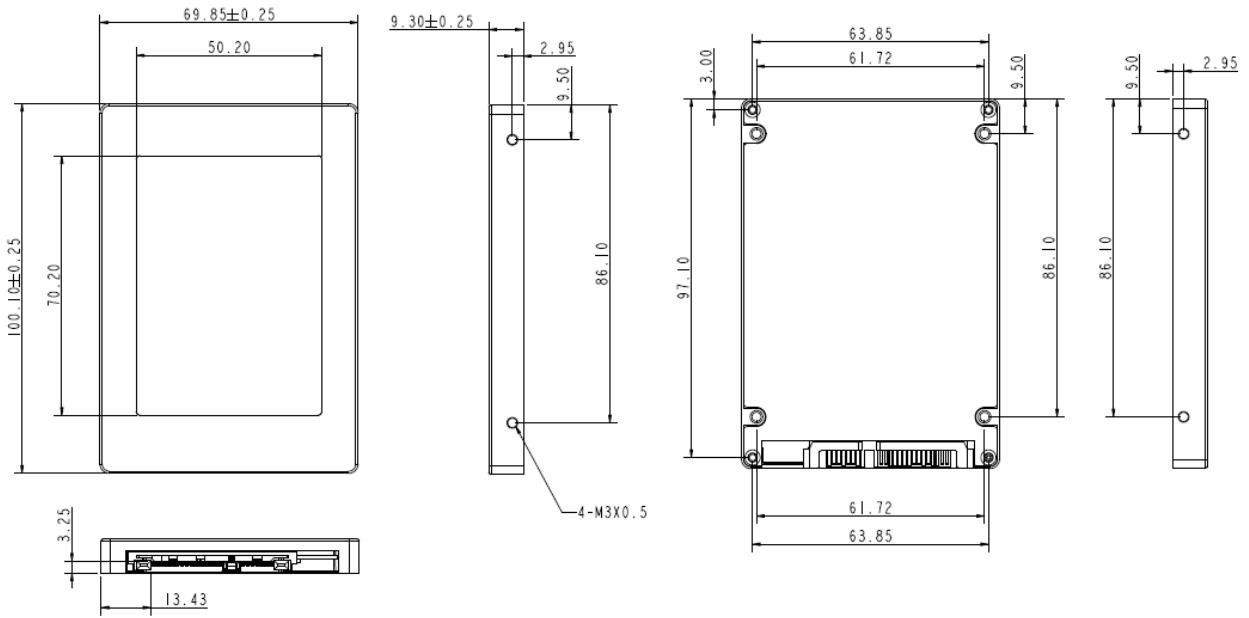
## Health monitoring Tool

S.M.A.R.T.	Supported
i-S.M.A.R.T.	Supported (Utility for Windows, Linux)

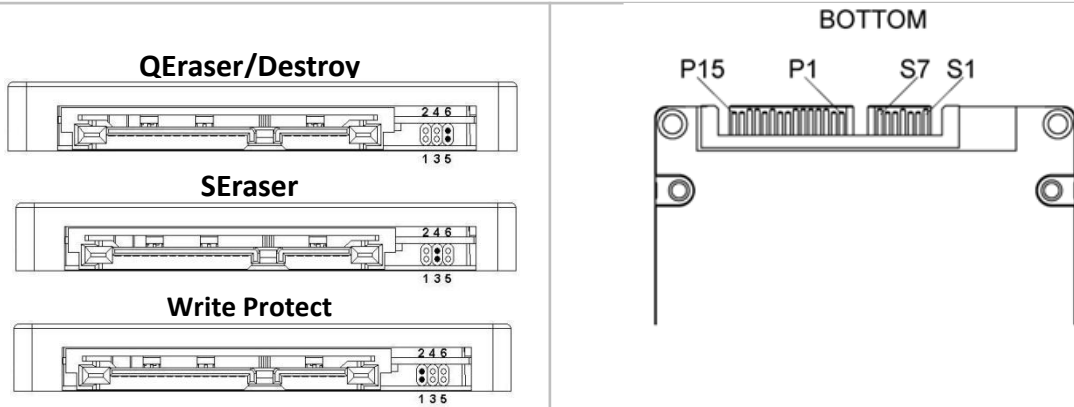
## Ordering Information

Capacity	Standard Grade	Industrial Grade
SLC		
8GB	D2SN-08GJ21AC2EB	D2SN-08GJ21AW2EB
16GB	D2SN-16GJ21AC2EB	D2SN-16GJ21AW2EB
32GB	D2SN-32GJ21AC2EB	D2SN-32GJ21AW2EB
64GB	D2SN-64GJ21AC2EB	D2SN-64GJ21AW2EB
128GB	D2SN-A28J21AC2EB	D2SN-A28J21AW2EB
MLC		
32GB	D2SN-32GJ21AC1EN	D2SN-32GJ21AW1EN
64GB	D2SN-64GJ21AC1EN	D2SN-64GJ21AW1EN
128GB	D2SN-A28J21AC1EN	D2SN-A28J21AW1EN
256GB	D2SN-B56J21AC1EN	D2SN-B56J21AW1EN
512GB	D2SN-C12J21AC1EN	D2SN-C12J21AW1EN

# Mechanical Dimension



# Signal and power segment



# Mechanical Screw Hole

